



21153 PCI-to-PCI Bridge Evaluation Board

User's Guide

August 1998

Order Number: 278129-001



Information in this document is provided in connection with Intel products. No license, express or implied, by estoppel or otherwise, to any intellectual property rights is granted by this document. Except as provided in Intel's Terms and Conditions of Sale for such products, Intel assumes no liability whatsoever, and Intel disclaims any express or implied warranty, relating to sale and/or use of Intel products including liability or warranties relating to fitness for a particular purpose, merchantability, or infringement of any patent, copyright or other intellectual property right. Intel products are not intended for use in medical, life saving, or life sustaining applications.

Intel may make changes to specifications and product descriptions at any time, without notice.

Designers must not rely on the absence or characteristics of any features or instructions marked "reserved" or "undefined." Intel reserves these for future definition and shall have no responsibility whatsoever for conflicts or incompatibilities arising from future changes to them.

The 21153 may contain design defects or errors known as errata which may cause the product to deviate from published specifications. Current characterized errata are available on request.

Contact your local Intel sales office or your distributor to obtain the latest specifications and before placing your product order.

Copies of documents which have an ordering number and are referenced in this document, or other Intel literature may be obtained by calling 1-800-548-4725 or by visiting Intel's website at <http://www.intel.com>.

Copyright © Intel Corporation, 1998

*Third-party brands and names are the property of their respective owners.



Contents

1	Introduction.....	1
	1.1 Overview	1
	1.2 Features	1
	1.3 Major Components	2
	1.4 DIP Switches	3
	1.5 Optional Jumpers	4
	1.6 Secondary Slot Numbering and IDSEL Mapping	5
	1.7 Typical Configurations.....	5
2	Installation	1
	2.1 Specifications	1
	2.2 Hardware Requirements	1
	2.3 Software Requirements.....	1
	2.4 Installation Procedure.....	2
3	Interrupt Routing.....	1
4	Optional Programmable Features	1
	4.1 Secondary PCI Bus Arbitration.....	1
	4.2 Secondary Clock Control.....	3
A	Kit Contents.....	1
	Support, Products, and Documentation	3

Figures

1-1	EB153 Major Components	2
1-2	EB153 DIP Switches	3
1-3	Secondary PCI Slot Numbering	5
1-4	EB153 with One Secondary Bus Option Card	6
1-5	EB153 with Two Secondary Bus Option Cards.....	6
1-6	Tri-Level with Two EB153s	7
1-7	Four PCI Buses in a Tri-Level Hierarchy.....	7
4-1	Arbitration DIP Switches	2
4-2	Secondary Clock DIP Switch	5

Tables

1-1	DIP Switch Operation	4
1-2	Jumper Connections	4
3-1	Interrupt ORing.....	1
3-2	Interrupts from Devices to EB153 Fingers	2
4-1	Internal Arbitration DIP Switch Positions.....	2
4-2	External PAL Arbitration DIP Switch Positions.....	3
4-3	gpio Serial Data Format	4
4-4	Secondary Clock DIP Switch Positions	5

This document describes the 21153 PCI-to-PCI Bridge Evaluation Board (also referred to as the EB153). The EB153 is an evaluation and development board for systems based on the 21153 PCI-to-PCI Bridge chip (the 21153).

Intel 21153 is a second-generation PCI-to-PCI bridge and is fully compliant with the electrical and protocol requirements of the *PCI Local Bus Specification, Revision 2.1*, and the *PCI-to-PCI Bridge Architecture Specification, Revision 1.0*. The 21153 provides full support for delayed transactions, which enables the buffering of memory read, I/O, and configuration transactions. The 21153 has separate posted write, read data, and delayed transaction queues with significantly more buffering capability than first-generation bridges.

For detailed information about the 21153, refer to the *21153 PCI-to-PCI Bridge Data Sheet*.

1.1 Overview

The EB153 is a universal PCI expansion board that is used to evaluate the operation of the 21153 in various configurations, and with a variety of PCI devices. The EB153 can be used to perform the following functions:

- Develop initialization code to configure a PCI-to-PCI bridge and the PCI devices behind the bridge
- Evaluate the operation of a PCI-to-PCI bridge with a variety of PCI devices attached to the secondary bus
- Build and evaluate a flexible hierarchy for multiple PCI buses

1.2 Features

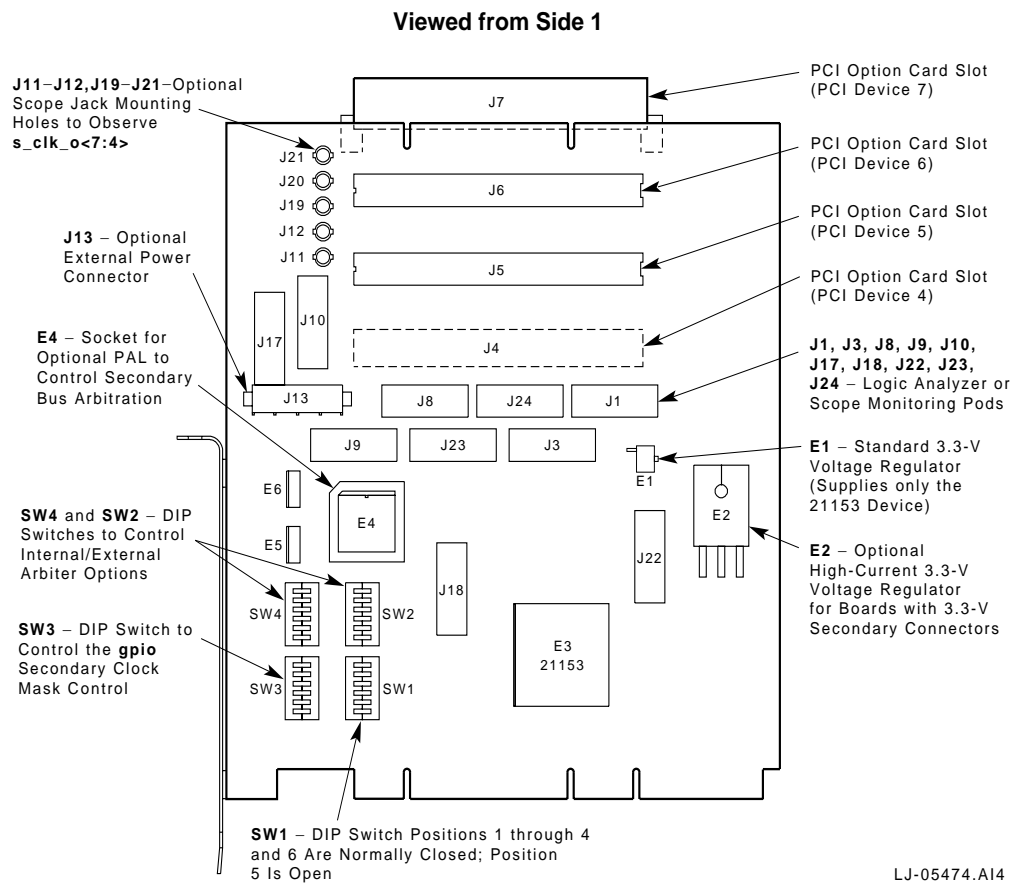
The EB153 has the following features:

- Complies fully with the protocol and electrical standards of the *PCI Local Bus Specification, Revision 2.1*
- Includes a 21153 PCI-to-PCI Bridge that provides bridging between a 64-bit primary and 32-bit secondary bus.
- Includes a primary PCI bus that plugs into any 5-V or 3.3-V PCI option card slot.
- Provides four secondary 5-V PCI bus option card slots.
- May be built with 3.3-V secondary PCI card slots. If you are interested in this option, call the Information Line (see Support, Products, and Documentation).
- Supports an optional external secondary bus arbiter.
- Supports multiple levels of PCI bus hierarchy.

1.3 Major Components

Figure 1-1 shows the major components on the EB153.

Figure 1-1. EB153 Major Components



LJ-05474.A14

1.4 DIP Switches

There are four 6-position DIP switches on the EB153. Figure 1-2 shows the locations of the DIP switches, and Table 1-1 describes their operation.

Figure 1-2. EB153 DIP Switches

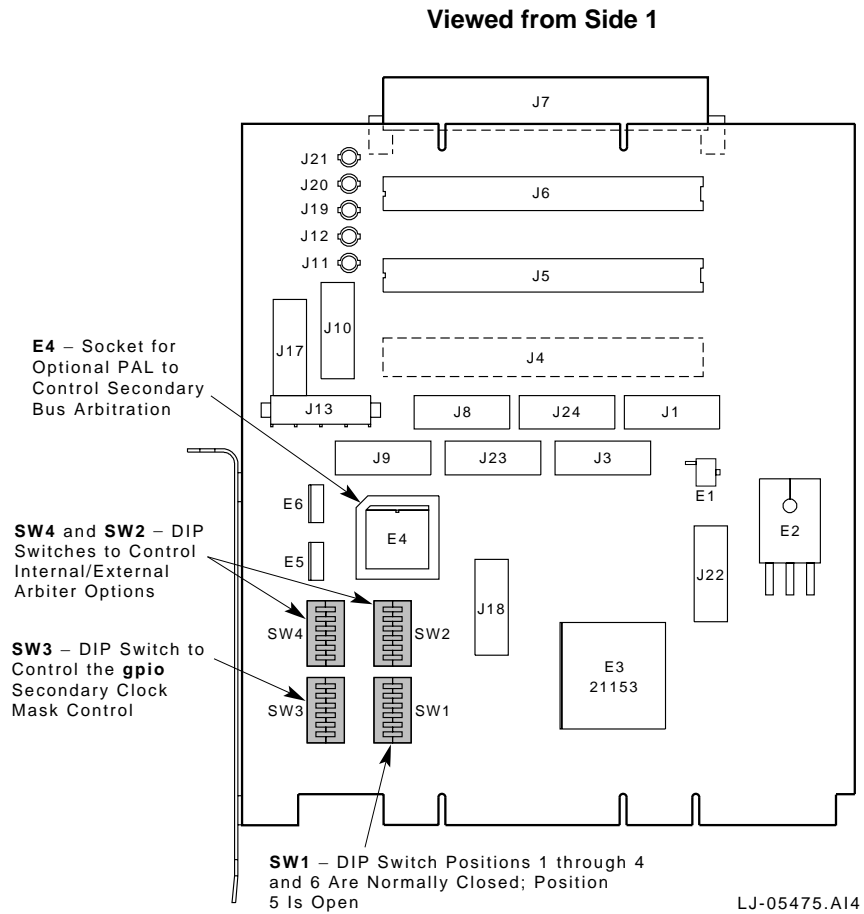


Table 1-1 describes DIP switch operation. Set up DIP switches before powering up the system.

Table 1-1. DIP Switch Operation

DIP Switches	Description
SW1	Positions 1, 2, 3, 4, and 6 are closed and 5 is open for normal operation. To enable all s_clk , open position 4 and close position 5.
SW2 ¹	Controls the arbiter. For internal arbiter, all positions are closed. For external arbiter, all positions are open.
SW4 ¹	Controls the arbiter. For internal arbiter, all positions are open For external arbiter, all positions are closed.
SW3 ²	Controls the gpio clock mask sequence for secondary clocks s_clk_o<7:4> . For normal operation, all positions are open. This disables the unused 21153 s_clk_o<7:4> clocks.
¹ Table 4-1 and Table 4-2 provide detailed information about configuring this switch. ² Table 4-2 and Table 4-4 provide detailed information about configuring this switch.	

1.5 Optional Jumpers

The EB153 provides optional jumpers as a special feature. The jumpers can be used for debugging and for special evaluation tests.

To improve signal integrity, signal **p_clk** and signals **s_clk<3:0>** are not wired to scope pod positions for the default EB153 build. However, provision has been made in the design for viewing these signals if needed.

Table 1-2 shows the connections required to allow observation of these signals at scope pod connector pins.

Table 1-2. Jumper Connections

Jumper	Description
R33 (0-Ω) resistor	If installed, allows observation of p_clk at J9, pin 15.
R44 (0-Ω) resistor	If installed, allows observation of s_clk_o<0> at J17, pin 7.
JW1-to-JW1	If connected with a wire, allows observation of s_clk_o<1> at J17, pin 5.
JW2-to-JW2	If connected with a wire, allows observation of s_clk_o<2> at J17, pin 3.
JW3-to-JW3	If connected with a wire, allows observation of s_clk_o<3> at J17, pin 1.

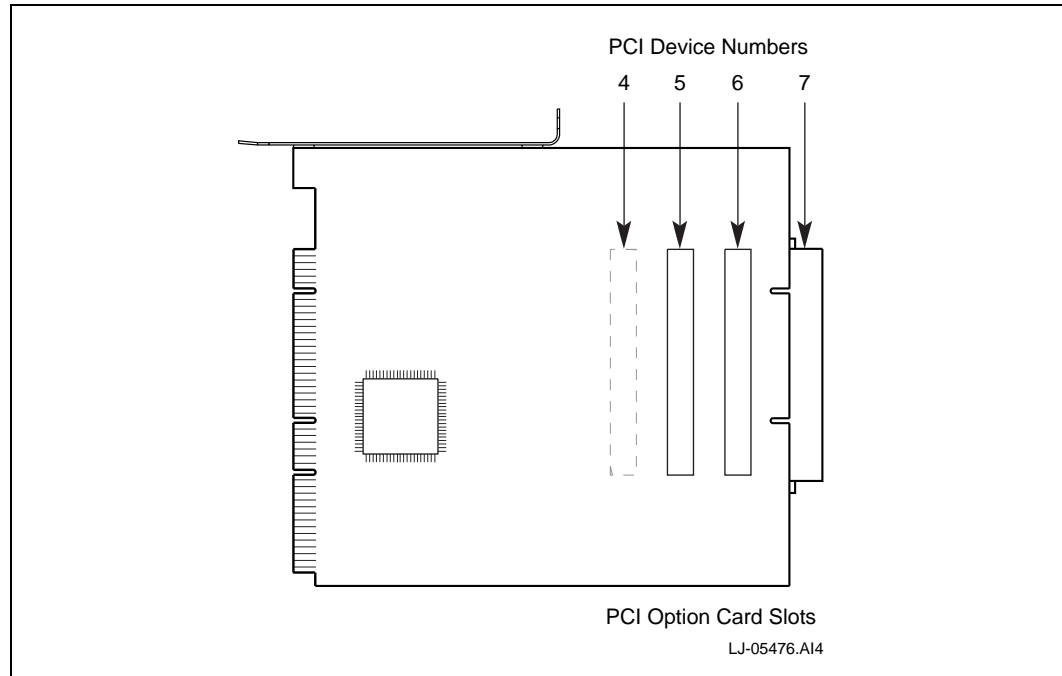
Note: The JW1, JW2, and JW3 holes are located on Side 2 of the EB153 They are labeled in etch. Intel recommends that you use a meter to verify that the correct holes are used for jumper wires before connecting them.

A ground via has been placed to each of the JW1, JW2, and JW3 holes so that a coaxial wire can be used.

1.6 Secondary Slot Numbering and IDSEL Mapping

The PCI secondary bus option card slots are mapped to PCI device numbers 4, 5, 6, and 7 as shown in Figure 1-3. The secondary bus lines `s_ad<20:23>` are used as secondary IDSEL lines.

Figure 1-3. Secondary PCI Slot Numbering



1.7 Typical Configurations

The EB153 supports various PCI configurations with different types of devices. Figure 1-4 through Figure 1-7 show examples of PCI configurations.

The primary bus connector attaches to a PCI slot on the motherboard of the host system or to a secondary PCI bus slot on another EB153. A 5-V or universal PCI option card, or another EB153, can be plugged into any one of the four secondary bus option card slots.

Figure 1-4 shows the EB153 with one secondary bus option card.

Figure 1-4. EB153 with One Secondary Bus Option Card

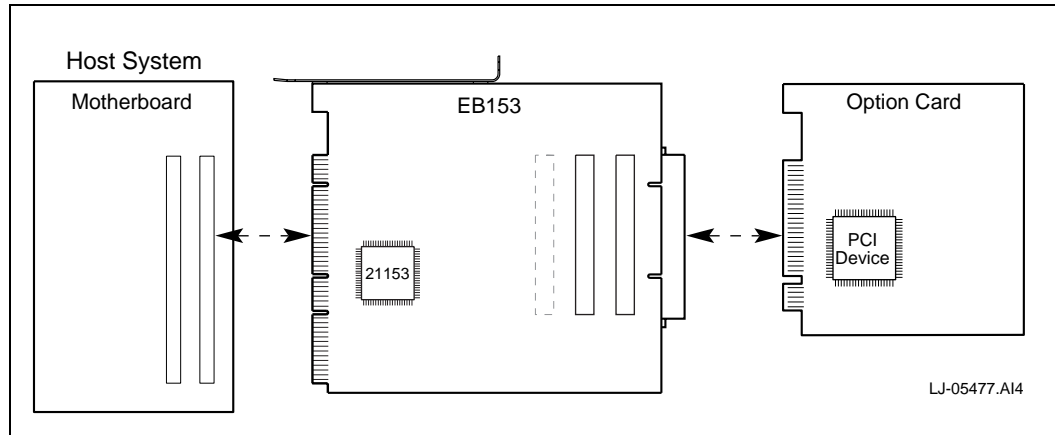


Figure 1-5 shows the EB153 with two secondary bus option cards.

Figure 1-5. EB153 with Two Secondary Bus Option Cards

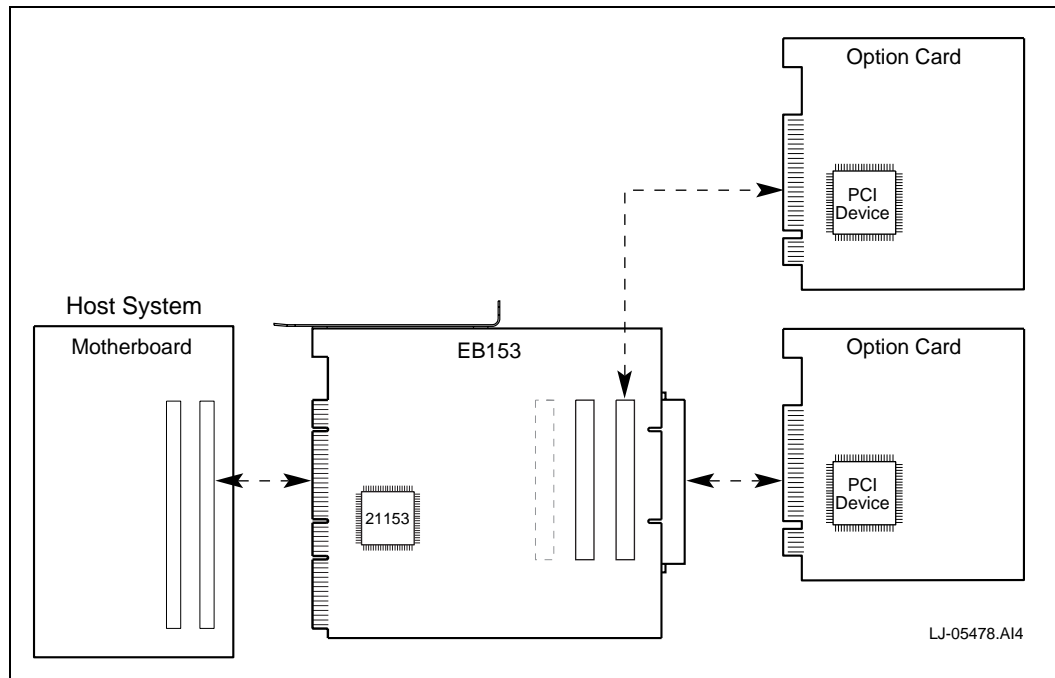


Figure 1-6 shows a tri-level bus with two EB153s.

Figure 1-6. Tri-Level with Two EB153s

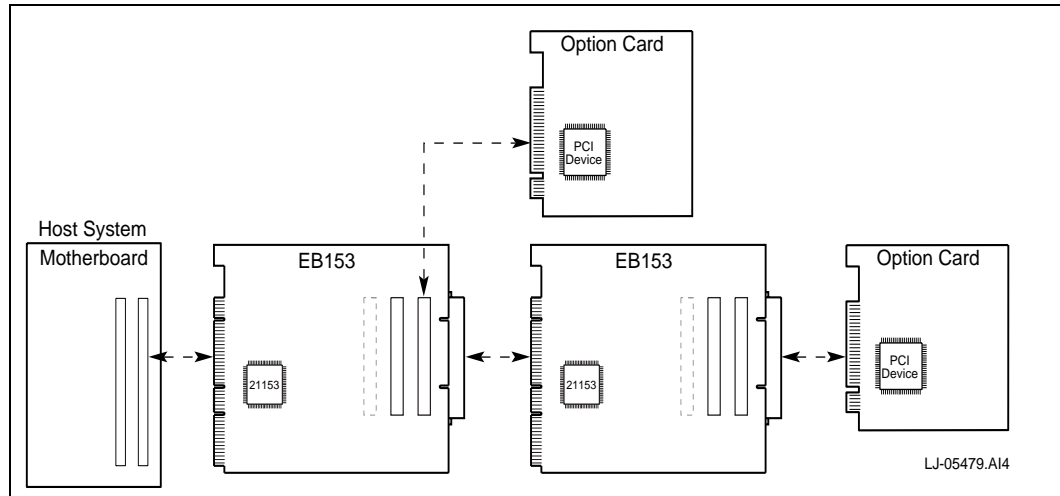
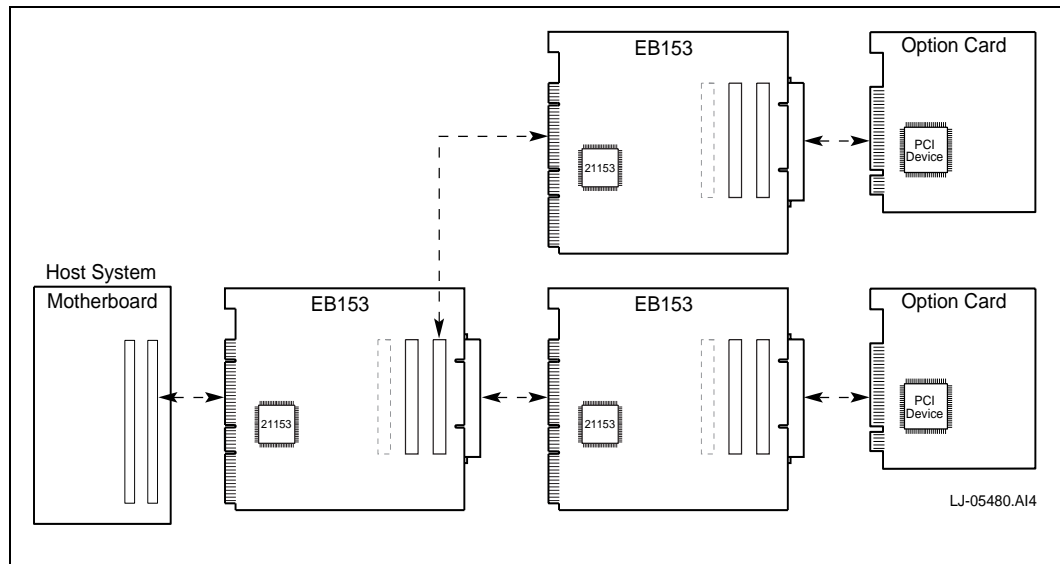


Figure 1-7 shows four PCI buses in a tri-level hierarchy.

Figure 1-7. Four PCI Buses in a Tri-Level Hierarchy



This chapter provides information about the EB153 specifications and the hardware and software requirements for using the EB153. It also describes how to install the EB153.

2.1 Specifications

The physical and power specifications for the EB153 are as follows:

Dimensions:

- Height: 18.5 cm (7.3 in)
- Width: 16.7 cm (6.6 in)

Power Requirements:

- dc amps @ 5 V: 2.0 A (maximum)

2.2 Hardware Requirements

The following equipment is required to use the EB153:

- A computer system equipped with a PCI motherboard
- A PCI expansion slot on the motherboard that is equipped for the 5-V or 3.3-V environment

2.3 Software Requirements

To test the EB153 in x86 DOS or Windows systems, system BIOS must include autoconfiguration code for PCI-to-PCI bridges. If the system BIOS does not include this functionality, contact your BIOS vendor to obtain code with PCI-to-PCI bridge autoconfiguration support.

The EB153 kit provides a DOS utility that can be used to configure the PCI-to-PCI bridge. The diskette included in the EB153 kit contains the DOS utility and a README.TXT file that explains how to use it.

2.4 Installation Procedure

Figure 1-1 illustrates the EB153 and shows the location of components referred to in this section.

Install the EB153 as follows:

1. Power down the host system that will contain the EB153.
2. Place the motherboard with the associated support devices on a bench if mechanical constraints do not allow testing of the EB153 and the expansion slots inside the system box.
3. Configure your system as follows:
 - a. Insert the card edge of the EB153 into a PCI slot.
 - b. Insert a 5-V or universal option PCI card into any or each of the four secondary bus option card slots.
Section 1.7 shows examples of typical PCI configurations.
4. Verify the DIP switch settings for SW1 through SW4 (for normal operation, SW1 positions 1 through 4 and position 6 are closed; position 5 is open).
To enable all secondary clocks, open position 4 and close position 5.
5. Power up the system.
6. Verify autoconfiguration of the 21153 and of any devices that are plugged in as follows:
 - a. Verify that system BIOS or firmware detects and configures the PCI devices downstream of the 21153. If system BIOS is not available, use the DOS utility provided with the EB153 kit to configure the devices downstream of the 21153, and verify proper configuration.
 - b. Install device drivers for any PCI devices that are downstream the 21153, and verify proper configuration of those devices.
7. If desired, monitor bridge PCI control signals by connecting a logic analyzer to pods J1, J3, J8, J9, J10, J17, J18, J22, J23, and J24.

This chapter describes the way in which interrupts are routed. This information is provided as a reference for designers.

Because a total of 16 interrupts are connected to the secondary bus PCI slots (INTA#, INTB#, INTC#, and INTD# for each slot) and only four interrupts are driven to the card edge, the 16 incoming interrupts must be combined. This ORing of interrupts is performed in accordance with the *PCI-to-PCI Bridge Architecture Specification*.

Table 3-1 shows the ORing of interrupts.

Table 3-1. Interrupt ORing

Device Number	Interrupt Pin on Device	Interrupt Pin on Board Connector
4	INTA# INTB# INTC# INTD#	INTA# INTB# INTC# INTD#
5	INTA# INTB# INTC# 1 INTD#	INTB# INTC# INTD# INTA#
6	INTA# INTB# INTC# INTD#	INTC# INTD# INTA# INTB#
7	INTA# INTB# INTC# INTD#	INTD# INTA# INTB# INTC#

In accordance with the *PCI-to-PCI Bridge Architecture Specification*, interrupts of the devices on the secondary slots are wire ORed and routed to PCI fingers of the EB153.

Table 3-2 lists the interrupts from the devices on the secondary slots to the interrupts on the EB153 fingers.

Table 3-2. Interrupts from Devices to EB153 Fingers

Interrupts from Devices on Secondary Slots	Interrupts on EB153 Fingers
INTA4 L INTD5 L INTC6 L INTB7 L	INTA L
INTB4 L INTA5 L INTD6 L INTC7 L	INTB L
INTC4 L INTB5 L iINTA6 L INTD7 L	INTC L
INTD4 L INTC5 L INTB6 L INTA7 L	INTD L

Note: In the first column of Table 3-2, the number after each interrupt pin is the device number of the devices in the secondary slots. The L indicates that the assertion level is low.

This chapter describes the use of DIP switches to test 21153 secondary bus arbitration and secondary clock control functions.

4.1 Secondary PCI Bus Arbitration

This section describes secondary bus arbitration and the arbitration DIP switches. (For more detailed information about the 21153 arbiter, refer to the *21153 PCI-to-PCI Bridge Data Sheet*).

The EB153 has two secondary bus arbiter systems:

- An internal arbiter that supports nine external masters in addition to the 21153
- An optional external arbiter implemented in an AMD MACH210A programmable device

The default setting is internal arbitration. The internal 21153 arbiter implements a 2-level programmable rotating mode algorithm. Secondary bus parking is done at the last master to use the bus.

The internal arbiter can be disabled, and an external arbiter can be used instead for secondary bus arbitration. The EB153 provides a socket for an optional PAL (labeled E4 in Figure 4-1) to control secondary bus arbitration. If a different external arbiter is used where parking is done at one of the PCI slots, a PCI device must be installed in that slot. To change the default, configure the secondary bus arbiter system using DIP switches SW2, SW3, and SW4.

Figure 4-1 shows the location of the arbitration DIP switches, and Table 4-1 and Table 4-2 describe their operation.

All DIP switch positions assume that the EB153 is positioned with the components facing forward and the card edge facing down.

Figure 4-1. Arbitration DIP Switches

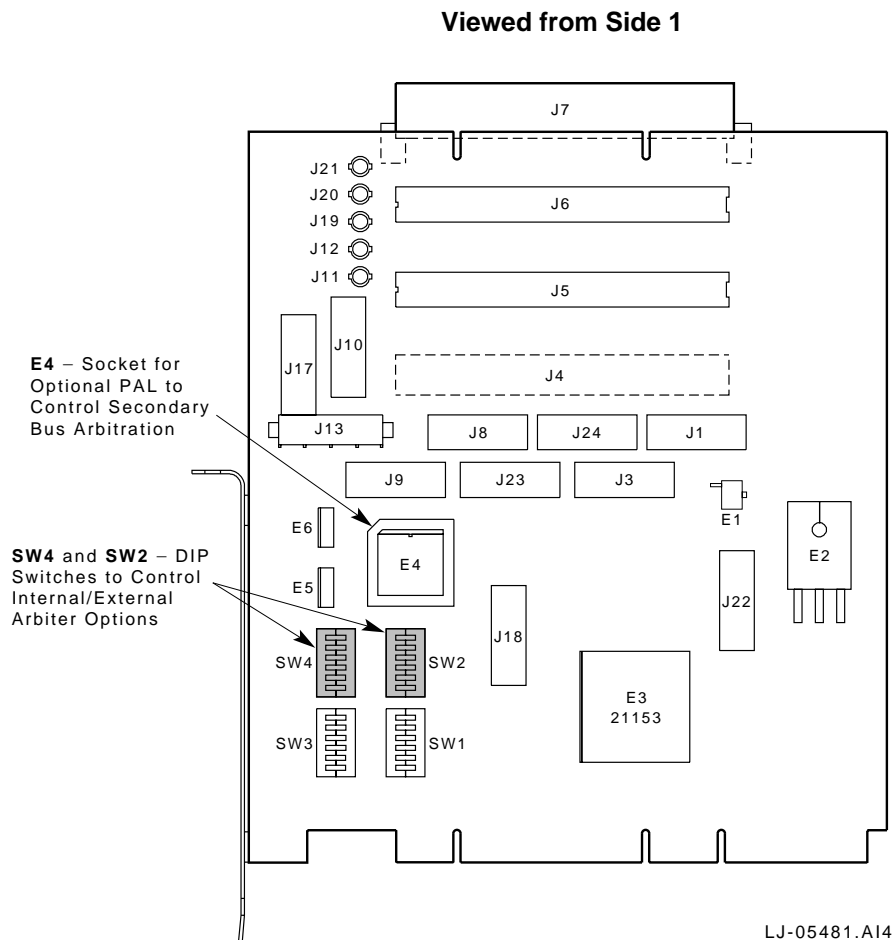


Table 4-1 describes the operation of internal arbitration jumpers.

Table 4-1. Internal Arbitration DIP Switch Positions

DIP Switch	Position	Setting	Description
SW2	1	Closed	When closed, signal s_cfn_l is tied low to enable the internal arbiter.
	2	Closed	When closed, signal s_req_l<0> is tied to one of the secondary PCI connectors for inclusion in the internal arbitration.
	3-6	Closed	When closed, signals s_gnt_l<3:0> are connected from the 21153 to the four secondary PCI connectors for use in the internal arbitration.
SW4	1-5	Open	Disables connection of the s_gnt_l<3:0> and s_req_l<0> signals between the 21153 and the external PAL.

Table 4-2 describes the operation of DIP switches for external arbitration with PAL.

Table 4-2. External PAL Arbitration DIP Switch Positions

DIP Switch	Position	Setting	Description
SW2	1	Open	Enables pullup for signal s_cfn_1 to disable the internal arbiter.
	2	Open	Disables the direct connection of signal s_req_l<0> to a secondary PCI connector.
	3–6	Open	Disables the direct connection of signals s_gnt_l<3:0> to the four secondary PCI connectors.
SW4	1	Closed	Connects signal s_req_l<0> to the external PAL. Because s_cfn is pulled high (SW2, position 1), this signal is used as the s_gnt_1 to the 21153 by the external PAL.
	2–5	Closed	Connects signals s_gnt_l<3:0> from the four secondary PCI connectors to the external PAL.
SW3	5	Closed	Enables signal s_clk_o<8> (by means of the gpio mask circuit) for use with the external PAL.

4.2 Secondary Clock Control

This section describes secondary clock control and the secondary clock DIP switch.

The 21153 implements a 4-pin general-purpose I/O **gpio** interface. During normal operation, the **gpio** interface is controlled by device-specific configuration registers.

The **gpio** interface can be used during secondary interface reset to control secondary clocks on the 21153. The 21153 uses the **gpio** pins and the **msk_in** signal to input a 16-bit serial data stream. This data stream is shifted into the secondary clock control register and is used for selectively disabling secondary clock outputs.

The **gpio** clock mask inputs for the unused secondary clocks **s_clk_o<8:4>** are controlled by the secondary clock DIP switch, SW3, as explained in Table 4-3. The **gpio** clock mask inputs for the used secondary clocks **s_clk_o<3:0>** are controlled by the state of the PCI PRSNT# signals from each of the four secondary PCI slots.

Table 4-3 shows the format of the serial data stream.

Table 4-3. gpio Serial Data Format

Bit	Description	s_clk_o Output
<1:0>	Slot 4 PRSNT#<1:0> or device 0	0
<3:2>	Slot 5 PRSNT#<1:0> or device 1	1
<5:4>	Slot 6 PRSNT#<1:0> or device 2	2
<7:6>	Slot 7 PRSNT#<1:0> or device 3	3
<8>	Device 4 ¹	4
<9>	Device 5 ¹	5
<10>	Device 6 ¹	6
<11>	Device 7 ¹	7
<12>	Device 8 ¹	8
<13>	21153 s_clk input	9
<14>	Reserved	Not applicable
<15>	Reserved	Not applicable

¹Controlled by DIP switch SW3.

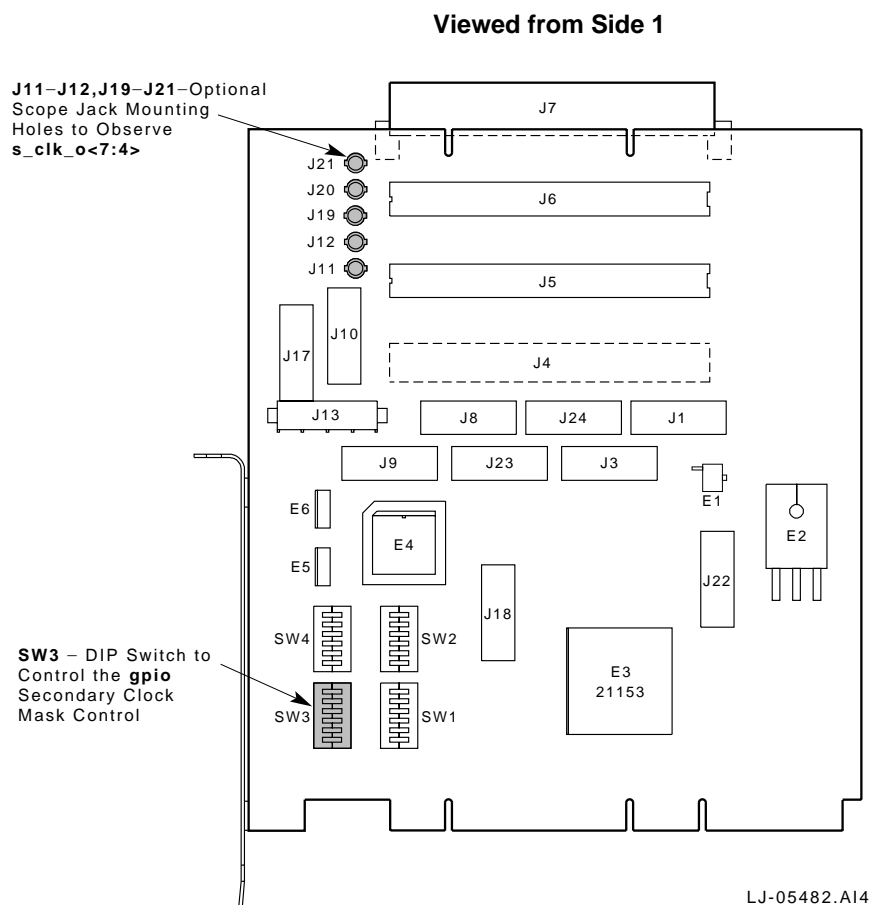
For more information about the format of the serial data stream, as presented in Table 4-3, and gpio mask implementation, see Section 10.2 in the *21153 PCI-to-PCI Bridge Data Sheet*.

Table 4-4 describes the use of the DIP switch to control secondary clocks and Figure 4-2 shows the location of the secondary clock DIP switch.

Table 4-4. Secondary Clock DIP Switch Positions

DIP Switch	Position	Setting	Description
SW3	1–4	Open	For normal operation, the open setting disables the unused 21153 <code>s_clk_o<7:4></code> clocks.
	1–4	Closed	Positions 1–4 can be closed individually before powering up, to enable 21153 <code>s_clk_o<7:4></code> clocks selectively for characterization at scope jack locations J12–J15.
	5	Open	Disables <code>s_clk_o<8></code> when the internal arbiter is used.

Figure 4-2. Secondary Clock DIP Switch



This appendix lists the contents of the 21153 PCI-to-PCI Bridge Evaluation Kit.

The 21153 PCI-to-PCI Bridge Evaluation Kit contains the following materials:

- A 21153 PCI-to-PCI Bridge Evaluation Board (EB153)
- A diskette that contains an MS-DOS utility for configuring the EB153
- A documentation package that includes the following:
 - *21153 PCI-to-PCI Bridge Data Sheet*
 - *21153 PCI-to-PCI Bridge Product Brief*
 - *21153 PCI-to-PCI Bridge Configuration Application Note*
 - *21153 PCI-to-PCI Bridge Hardware Implementation Application Note*
 - *21153 PCI-to-PCI Bridge Evaluation Board User's Guide*
 - *21153 Evaluation System BIOS Letter*
 - *21153 PCI Evaluation Board Schematics*
 - *21153 Evaluation Board Vendor Parts List*
 - SPICE model kit containing a Level 28 21153 SPICE model and application note
 - Warranty Agreement/Registration Card



Support, Products, and Documentation

If you need technical support, a *Product Catalog*, or help deciding which documentation best meets your needs, visit the Intel World Wide Web Internet site:

<http://www.intel.com>

Copies of documents that have an ordering number and are referenced in this document, or other Intel literature may be obtained by calling **1-800-332-2717** or by visiting Intel's website for developers at:

<http://developer.intel.com>

You can also contact the Intel Massachusetts Information Line or the Intel Massachusetts Customer Technology Center. Please use the following information lines for support:

For documentation and general information:	
Intel Massachusetts Information Line	
United States:	1-800-332-2717
Outside United States:	1-303-675-2148
Electronic mail address:	techdoc@intel.com

For technical support:	
Intel Massachusetts Customer Technology Center	
Phone (U.S. and international):	1-978-568-7474
Fax:	1-978-568-6698
Electronic mail address:	techsup@intel.com