

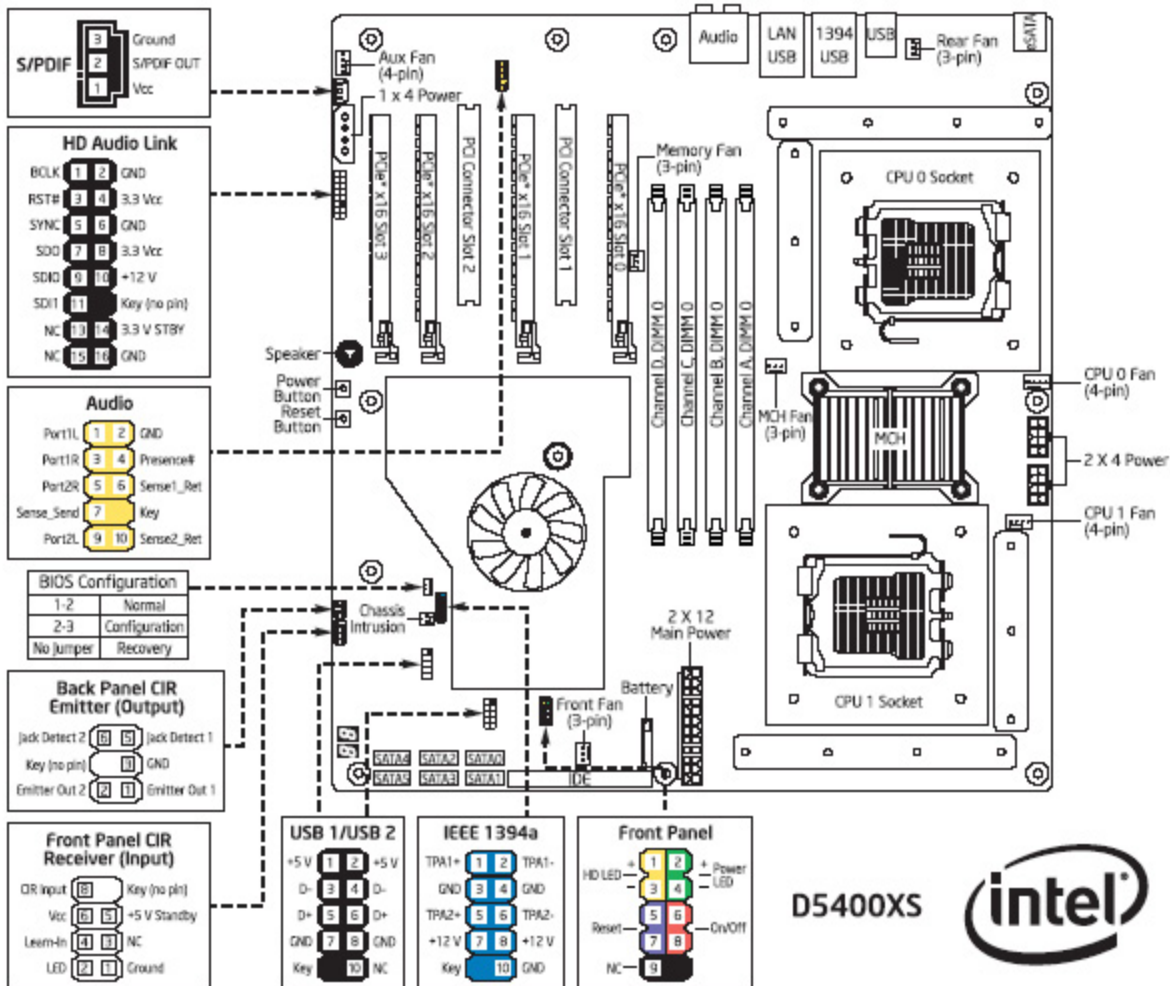
eSATA

Line Out
Line In
Optical Digital Line out

Attach this label near the back panel connectors.

Attach this label to the inside surface of the chassis.

CAUTION
Risk of explosion if the battery is replaced with an incorrect type. Batteries should be recycled where possible. Disposal of used batteries must be in accordance with local environmental regulations.



D5400XS

