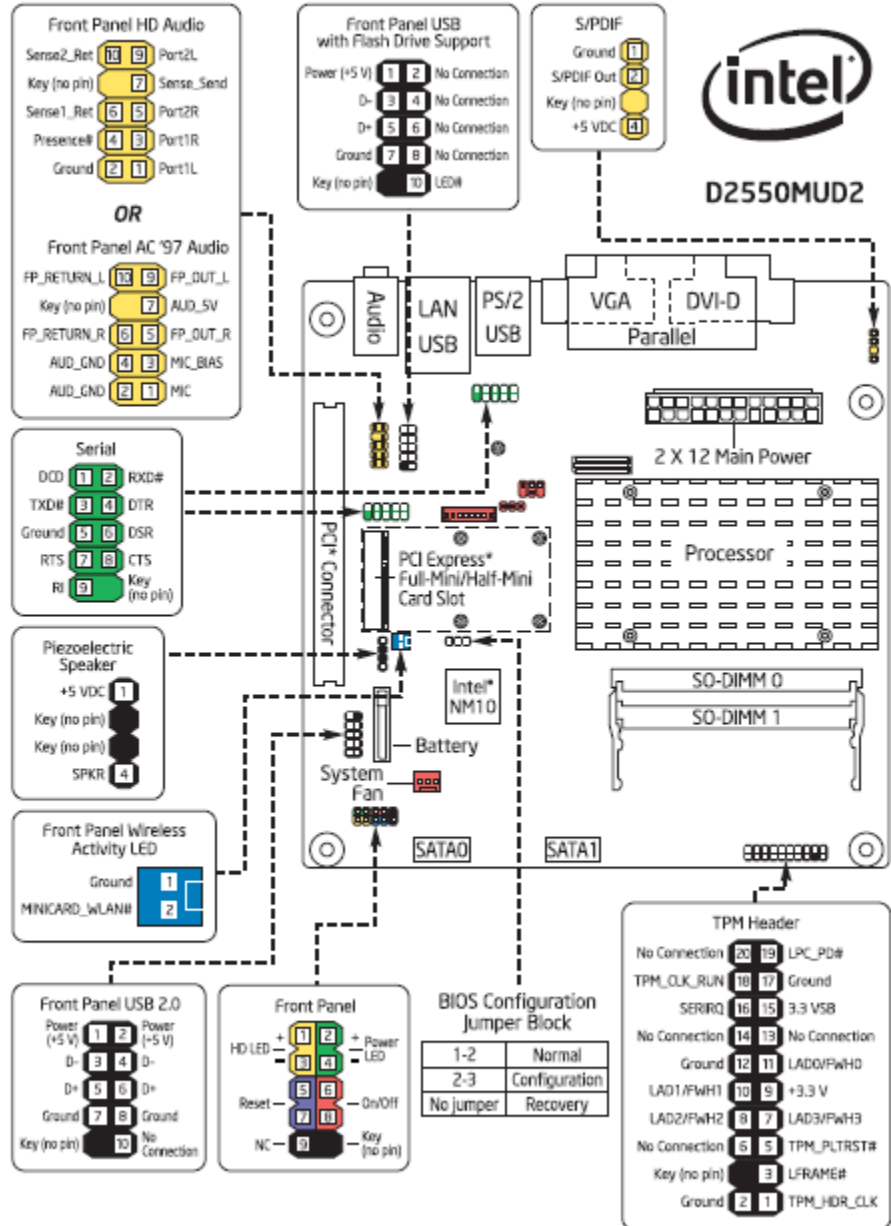




D2550MUD2



**CAUTION**  
 Risk of explosion if the battery is replaced with an incorrect type. Batteries should be recycled where possible. Disposal of used batteries must be in accordance with local environmental regulations.

Attach this label near the back panel connectors.

Attach this label to the inside surface of the chassis.

C74463-001