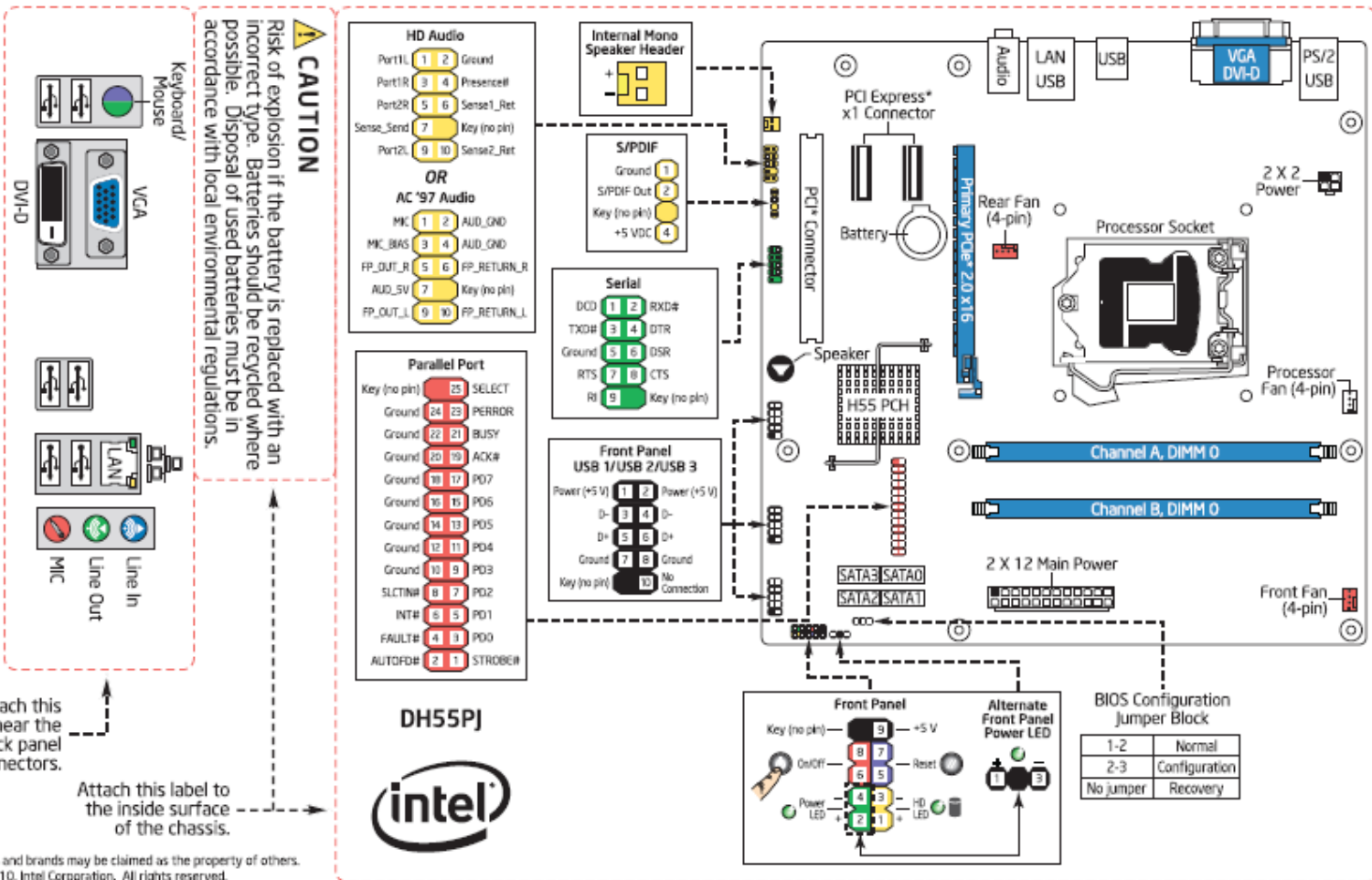
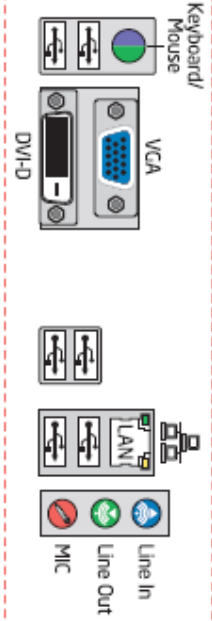


E93623-001



CAUTION
 Risk of explosion if the battery is replaced with an incorrect type. Batteries should be recycled where possible. Disposal of used batteries must be in accordance with local environmental regulations.



Attach this label near the back panel connectors.

Attach this label to the inside surface of the chassis.

HD Audio

Part1L	1	2	Ground
Part1R	3	4	Presence#
Part2R	5	6	Sense1_Ret
Sense_Send	7		Key (no pin)
Part2L	9	10	Sense2_Ret

OR

AC '97 Audio

MK	1	2	AUD_GND
MK_BIAS	3	4	AUD_GND
FP_OUT_R	5	6	FP_RETURN_R
AUD_SV	7		Key (no pin)
FP_OUT_L	9	10	FP_RETURN_L

Parallel Port

Key (no pin)	25	SELECT	
Ground	24	PERRDR	
Ground	22	21	BUSY
Ground	20	19	ACK#
Ground	18	17	PD7
Ground	16	15	PD6
Ground	14	13	PD5
Ground	12	11	PD4
Ground	10	9	PD3
SLCTIN#	8	7	PD2
INT#	6	5	PD1
FAULT#	4	3	PD0
AUTOFD#	2	1	STROBE#



Internal Mono Speaker Header

+	1	2	3	4
---	---	---	---	---

S/PDIF

Ground	1	2	3	4
S/PDIF Out				
Key (no pin)				
+5 VDC				

Serial

DCD	1	2	RXD#
TXDH	3	4	DTR
Ground	5	6	DSR
RTS	7	8	CTS
RI	9		Key (no pin)

Front Panel USB 1/USB 2/USB 3

Power (+5 V)	1	2	Power (+5 V)
D-	3	4	D-
D+	5	6	D+
Ground	7	8	Ground
Key (no pin)			No Connection
	9	10	

BIOS Configuration Jumper Block

1-2	Normal
2-3	Configuration
No jumper	Recovery

*Other names and brands may be claimed as the property of others. Copyright © 2010, Intel Corporation. All rights reserved.