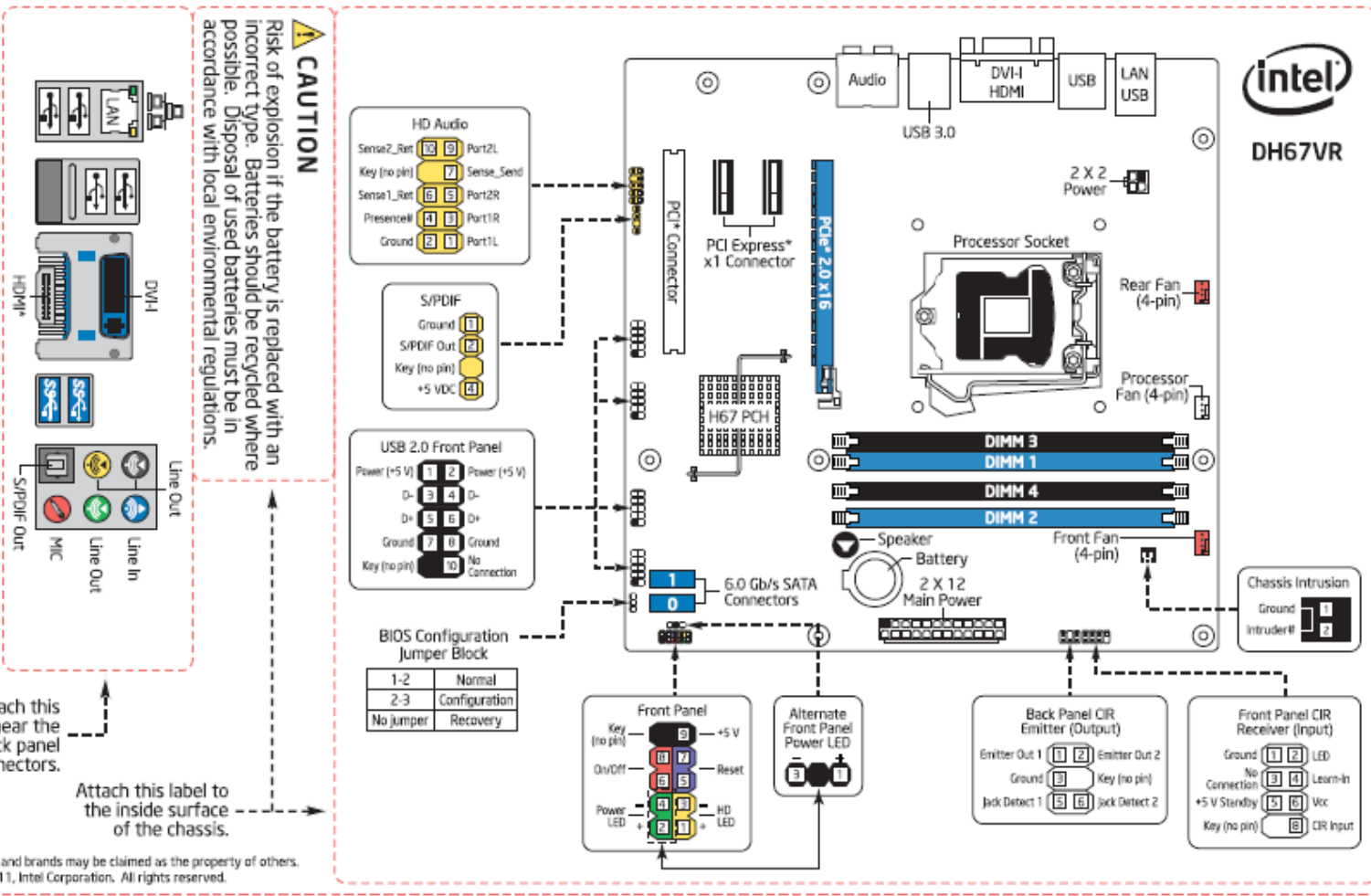


G27372-001



*Other names and brands may be claimed as the property of others. Copyright © 2011, Intel Corporation. All rights reserved.

Attach this label near the back panel connectors.

Attach this label to the inside surface of the chassis.

