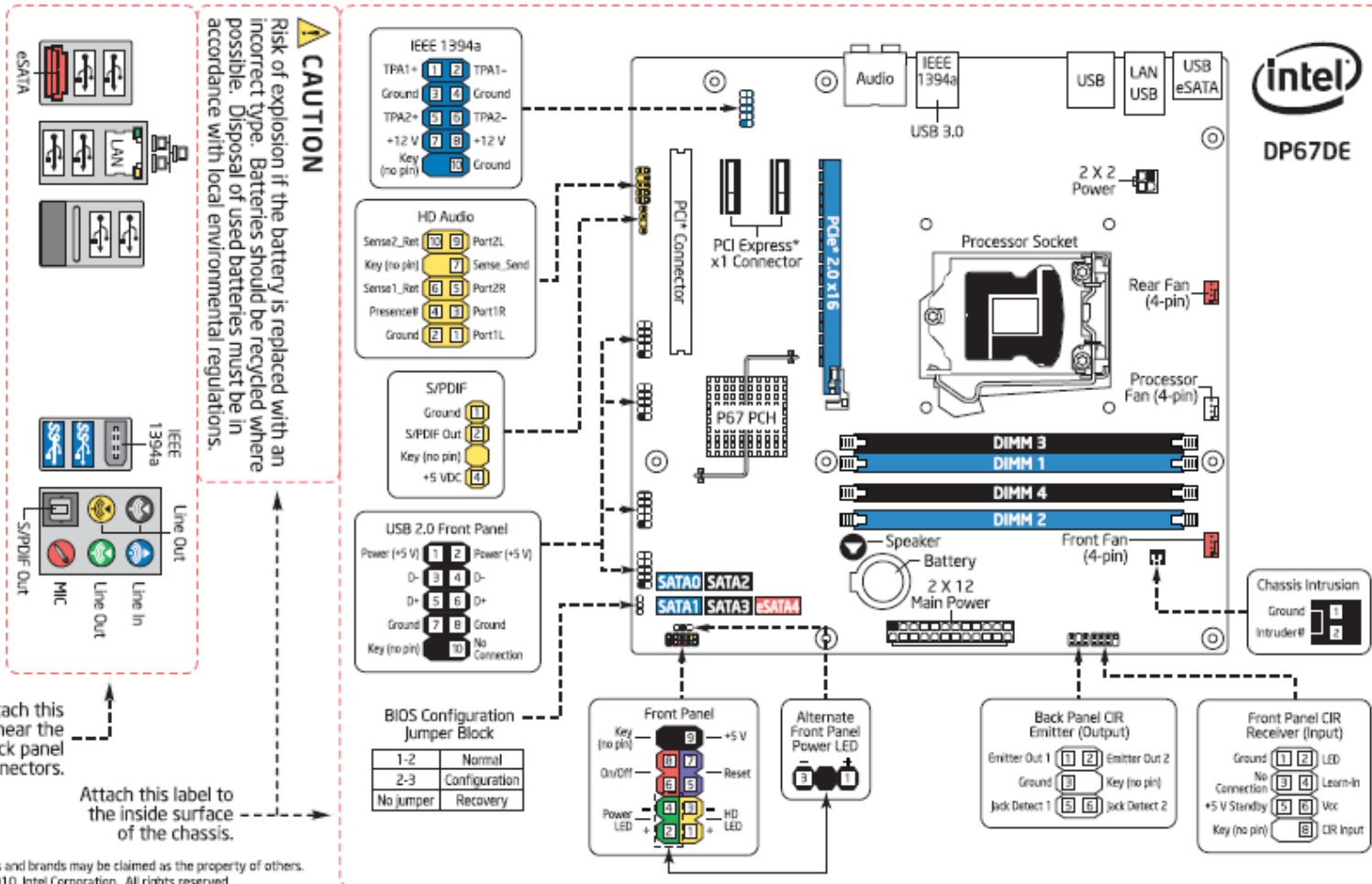


C14697-001



Attach this label near the back panel connectors.

Attach this label to the inside surface of the chassis.

*Other names and brands may be claimed as the property of others. Copyright © 2010, Intel Corporation. All rights reserved.