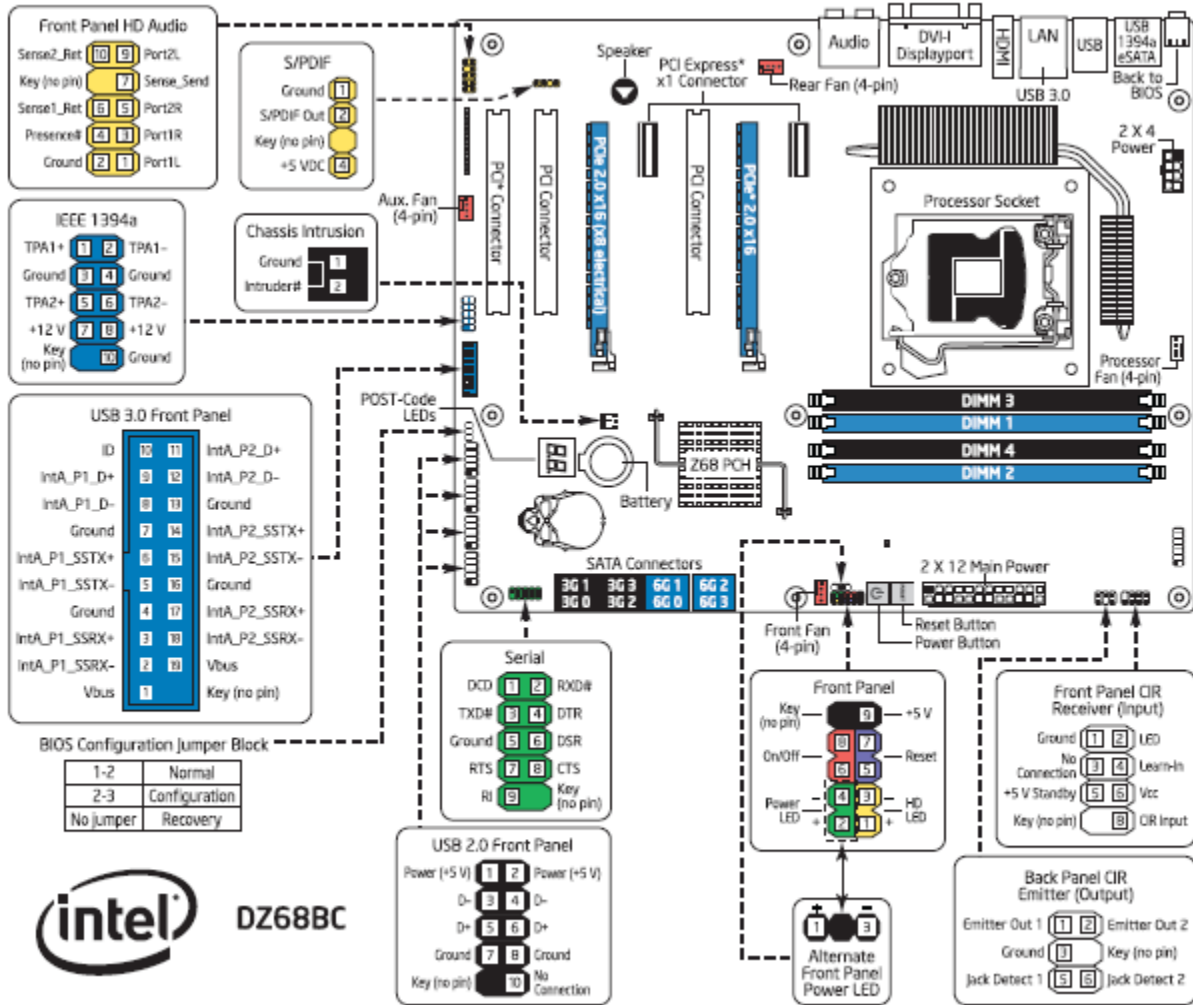


Attach this label near the back panel connectors.

Attach this label to the inside surface of the chassis.

**CAUTION**  
Risk of explosion if the battery is replaced with an incorrect type. Batteries should be recycled where possible. Disposal of used batteries must be in accordance with local environmental regulations.



\*Other names and brands may be claimed as the property of others. Copyright © 2012, Intel Corporation. All rights reserved.