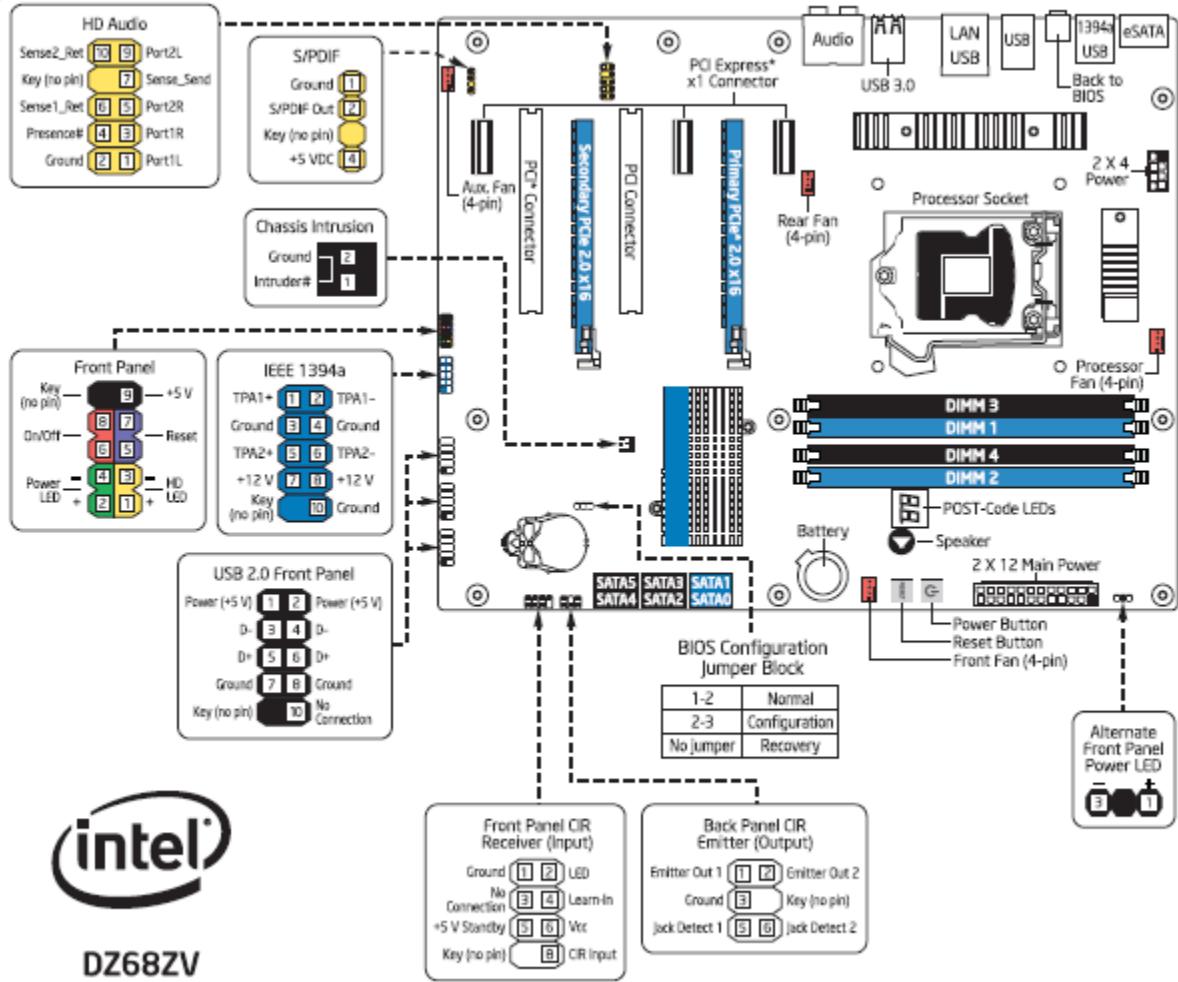


**CAUTION**  
 Risk of explosion if the battery is replaced with an incorrect type. Batteries should be recycled where possible. Disposal of used batteries must be in accordance with local environmental regulations.

**CAUTION**



Attach this label near the back panel connectors.

Attach this label to the inside surface of the chassis.

\*Other names and brands may be claimed as the property of others.  
 Copyright © 2011, Intel Corporation. All rights reserved.