

10 Install Tool-less Fixed Hard Drives (If installing a hot swap drive cage, go to Step 9)

- 1 Insert fixed drive cage into chassis.
- 2 Route power and data cables through cable routing area at the bottom of the fixed drive cage.
- 3 Pull the drive latch forward for the drive bay you want to install a hard drive in.
 - Warning:** Drive slots 1, 3, and 5 MUST be populated first. Failure to do so could result in thermal issues within chassis.
- 4 Insert fixed hard drive into drive bay until it stops. Ensure that the power and data connector end of the hard drive is facing forward.
- 5 Push drive latch in to lock hard drive into drive bay.
- 6 Install additional drives as necessary.
- 7 Install power and data cables to each of the installed drives. The cables route through the oval opening at the bottom of the drive cage.
- 8 Re-attach drive cage EMI shield to chassis.
- 9 Tighten thumb screw.

11 Install Hot Swap Drive Cage Kit (Optional)

If you intend to configure your server with SATA or SCSI hot swap hard drives, go to the instructions that came with your drive cage upgrade kit to install the drive cage and hot swap drives.

12 Install Fan Duct / System Fan Assembly

- 1 For all supported Intel® server boards with SC5299UP configuration: Insert system fan into snap-in bracket on chassis.
- 2 For Intel® Server Board S3000AH with SC5299DP/BRP configuration only: Attach 120-mm metal fan guard to system fan. Metal fan guard ships with system as a spare part. Use the four plastic rivets removed in Step 5 to secure fan guard to system fan. Insert system fan into snap-in bracket on chassis.
- 3 For all other server boards with DP/WS/BRP configurations: Insert fan duct / system fan assembly into snap-in bracket on chassis.

13 Complete Server Board Connections

See your Intel® server board Quick Start User's Guide or User Guide for server board cable connections.

For Intel® Server Board S3000AH with SC5299DP/BRP configuration only:

1. The +12V CPU power wire (P2) from the power supply must be re-routed to reach the 8-pin white CPU power connector on the server board. To re-route: remove secondary side cover (see the Intel® Entry Server Chassis SC5299-E User Guide for instructions), pull P2 cable through to top side of power supply, connect to server board, re-install secondary side cover.
2. Although a redundant power supply may be added to the SC5299BRP chassis, the Intel® Server Board S3000AH has no power supply failure detection mechanism in place to support it. The P12 cable will be left unconnected.

14 Install PCI Card Guide

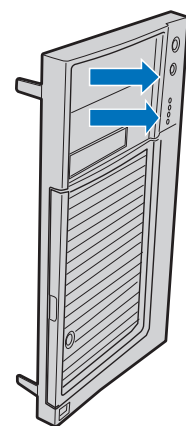
- 1 Insert tabs on left side of PCI Card Guide into slots in chassis.
- 2 Swing PCI Card Guide into chassis until right-side blue tabs snap into place.

15 Install PCI Add-in Boards

- 1 From inside of chassis, press open the back panel PCI add-in board retention device.
- 2 Remove the PCI slot shield by pressing the shield out from the inside of the chassis.
- 3 While holding the PCI add-in board by its top edge or upper corners, firmly press the add-in board into the expansion slot.
- 4 Close the back panel PCI add-in board retention device.

16 Remove Filler Panels

Remove the bezel filler panels for each drive you have installed. Release plastic tabs located at back side of bezel and pull out filler panels from front.

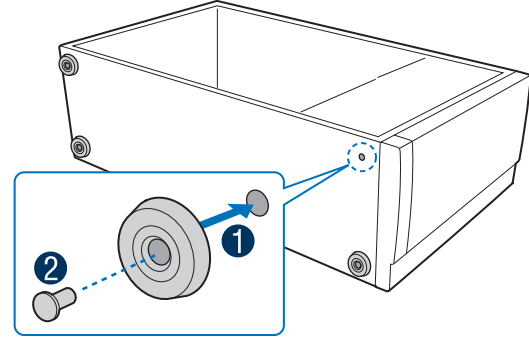


17 Install Feet (Pedestal Configuration Only)

Note: This step applies to the pedestal version only. If you plan to configure your chassis as a rack mount system, go to Step 18.

- 1 Insert rubber foot into chassis hole.
- 2 Secure foot by inserting pin through the rubber foot.

Note: Repeat above steps until all four feet are installed.



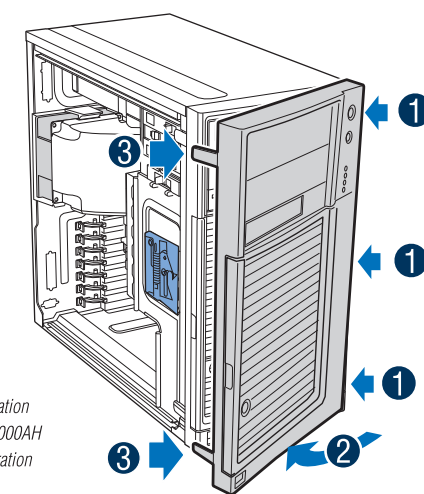
18 Install Rack Mount Kit (Optional)

If you intend to configure your server as a pedestal system, disregard this step and proceed to Step 19.

If you intend to configure your server as a rack mount system, go to the instructions that came with your Rack Mount Kit to complete your server assembly.

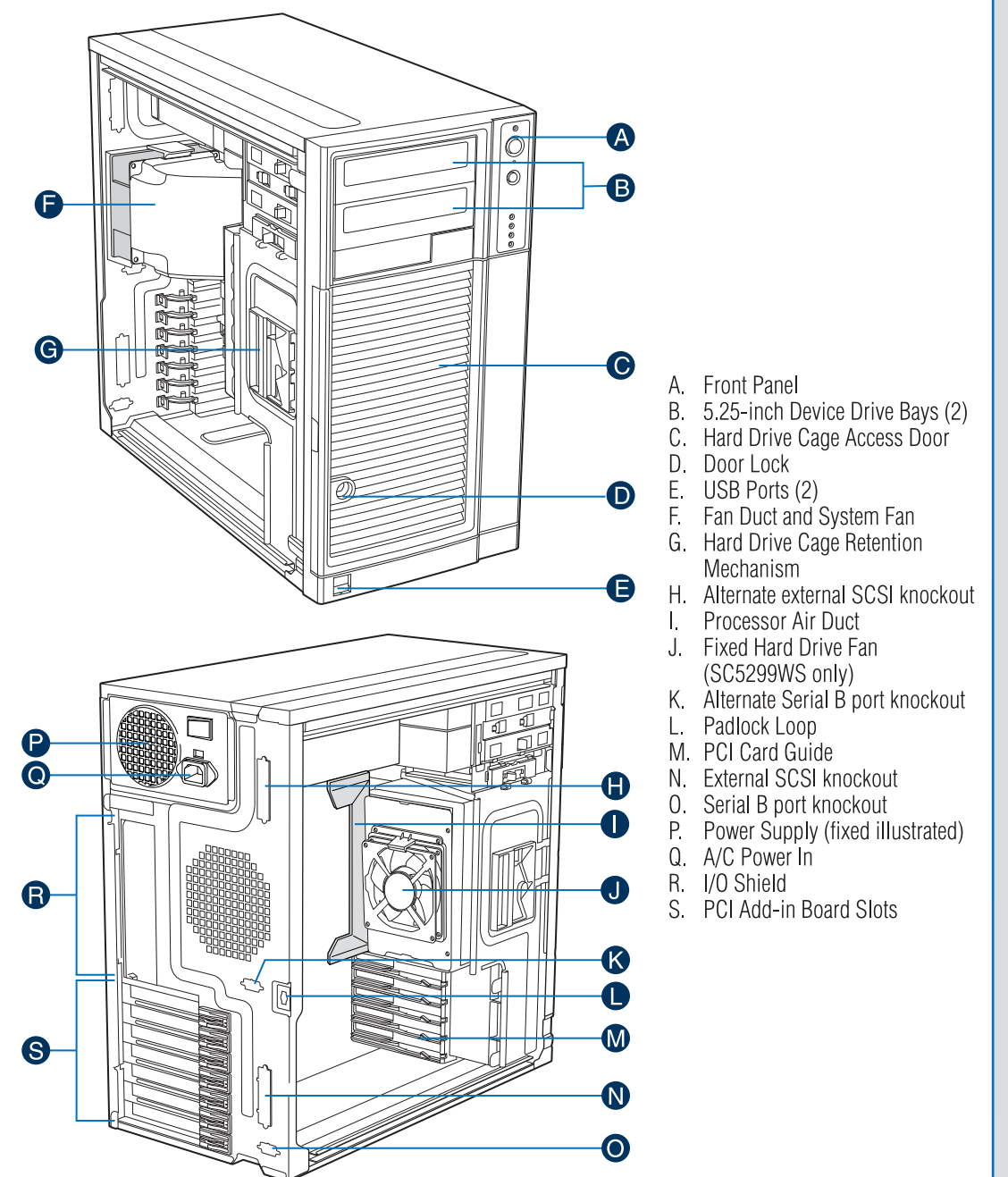
19 Install Front Bezel Assembly

- 1 Engage three clips at right edge of chassis.
- 2 Rotate left side of bezel assembly toward chassis.
- 3 Snap two bezel tabs into corresponding recesses at left edge of chassis front panel.



Reference

Chassis Features and Components



20 Close System

- 1 Slide the side cover on chassis and latch securely.
- 2 Replace screws.

CAUTION: This chassis must be operated with the SIDE COVER installed to ensure proper cooling.

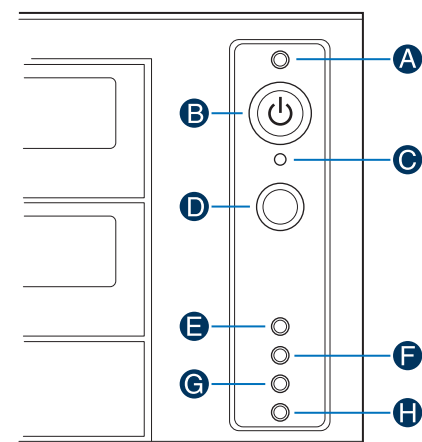
21 Finishing Up

1. See your Intel® Server Board Quick Start User's Guide to connect your keyboard, mouse, video and other I/O cables.
2. Connect the AC power cable last.

CAUTION: Power supply requires a 16-gauge power cord.

Reference

Front Panel Controls and Indicators



Accessories and Order Codes

Hot Swap Conversion Kit	APP3HSDBKIT
6-Drive SCSI Hot Swap Cage	AXX6SCSIDB ¹
6-Drive SAS/SATA Hot Swap Cage without expander	AXX6DRV3G ¹
6-Drive SAS/SATA Hot Swap Cage with expander	AXX6DRV3GEXP ¹
Intel® Entry Server Chassis SC5299-E Rack Mount Kit	APP3RACKIT

¹ Requires a Hot Swap Conversion Kit to integrate into the Intel® Entry Server Chassis SC5299-E.

A complete list of accessories and spares can be found at: www.intel.com/go/serverbuilder