



Product Change Notification

110958 - 00

Information in this document is provided in connection with Intel® products. No license, express or implied, by estoppel or otherwise, to any intellectual property rights is granted by this document. Except as provided in Intel's Terms and Conditions of Sale for such products, Intel assumes no liability whatsoever, and Intel disclaims any express or implied warranty, relating to sale and/or use of Intel products including liability or warranties relating to fitness for a particular purpose, merchantability, or infringement of any patent, copyright or other intellectual property right. Intel products are not intended for use in medical, life saving, or life sustaining applications. Intel may make changes to specifications and product descriptions at any time, without notice.

Should you have any issues with the timeline or content of this change, please contact the Intel Representative(s) for your geographic location listed below. No response from customers will be deemed as acceptance of the change and the change will be implemented pursuant to the key milestones set forth in this attached PCN.

Americas Contact: asmo.pcn@intel.com

Asia Pacific Contact: apacgccb@intel.com

Europe Email: eccb@intel.com

Japan Email: jccb.ijkk@intel.com

Copyright © Intel Corporation 2011. Other names and brands may be claimed as the property of others.

BunnyPeople, Celeron, Celeron Inside, Centrino, Centrino Inside, Cilk, Core Inside, i960, Intel, the Intel logo, Intel AppUp, Intel Atom, Intel Atom Inside, Intel Core, Intel Inside, Intel Insider, the Intel Inside logo, Intel NetBurst, Intel NetMerge, Intel NetStructure, Intel SingleDriver, Intel SpeedStep, Intel Sponsors of Tomorrow, the Intel Sponsors of Tomorrow logo, Intel StrataFlash, Intel vPro, Intel XScale, InTru, the InTru logo, the InTru Inside logo, InTru soundmark, Itanium, Itanium Inside, MCS, MMX, Moblin, Pentium, Pentium Inside, Puma, skool, the skool logo, Sound Mark, The Creators Project, The Journey Inside, Thunderbolt, vPro Inside, VTune, Xeon, and Xeon Inside are trademarks of Intel Corporation in the U.S. and/or other countries.

Learn how to use Intel Trademarks and Brands correctly at <http://www.intel.com/intel/legal/tmusage2.htm>.



Product Change Notification

Change Notification #: 110958 - 00
Change Title: Intel® Modular Server System MFSYS25V2, AXXMFRAIL Tool-less Rail Kit, PCN 110958-00, Product Design, Redesign of the tool-less rail kit.
Date of Publication: March 2, 2012

Key Characteristics of the Change:

Product Design

Forecasted Key Milestones:

Date Customer Must be Ready to Receive Post-Conversion Material:	March 30, 2012
---	----------------

Description of Change to the Customer:

Intel is redesigning the tool-less rail kit for easier installation of an Intel® Modular Server System chassis onto a rail kit within a rack. The new design will allow use of the front handles when lifting a chassis into place.

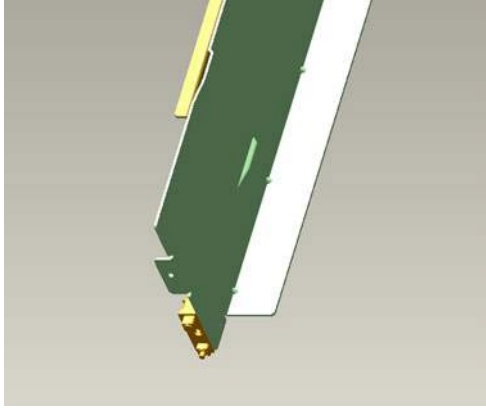
The new rail design extends both the left and right rail bottom flange. Illustrations of the current and new designs are included in this PCN below.

Customer Impact of Change and Recommended Action:

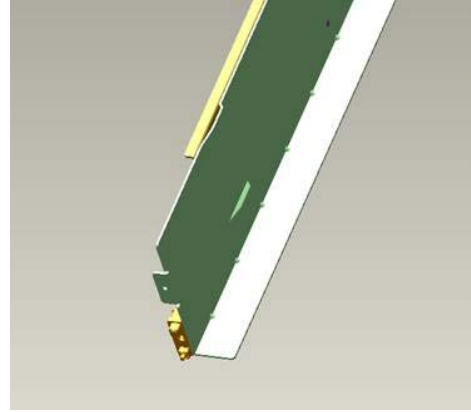
Intel anticipates no impact to the customer and no action is required or recommended.

Products Affected / Intel Ordering Codes:

Pre Change Product Code	Pre Change MM#	Pre Change TA	Post Change Product Code	Post Change MM#	Post Change TA
AXXMFRAIL	908287	E96273-001	AXXMFRAIL	908287	E96273-002



Bottom Rail Flange before the change.



Bottom Rail Flange after the change.

PCN Revision History:

Date of Revision:

September 23, 2011

March 2, 2012

Revision Number:

00

01

Reason:

Originally Published PCN

New Implementation Date