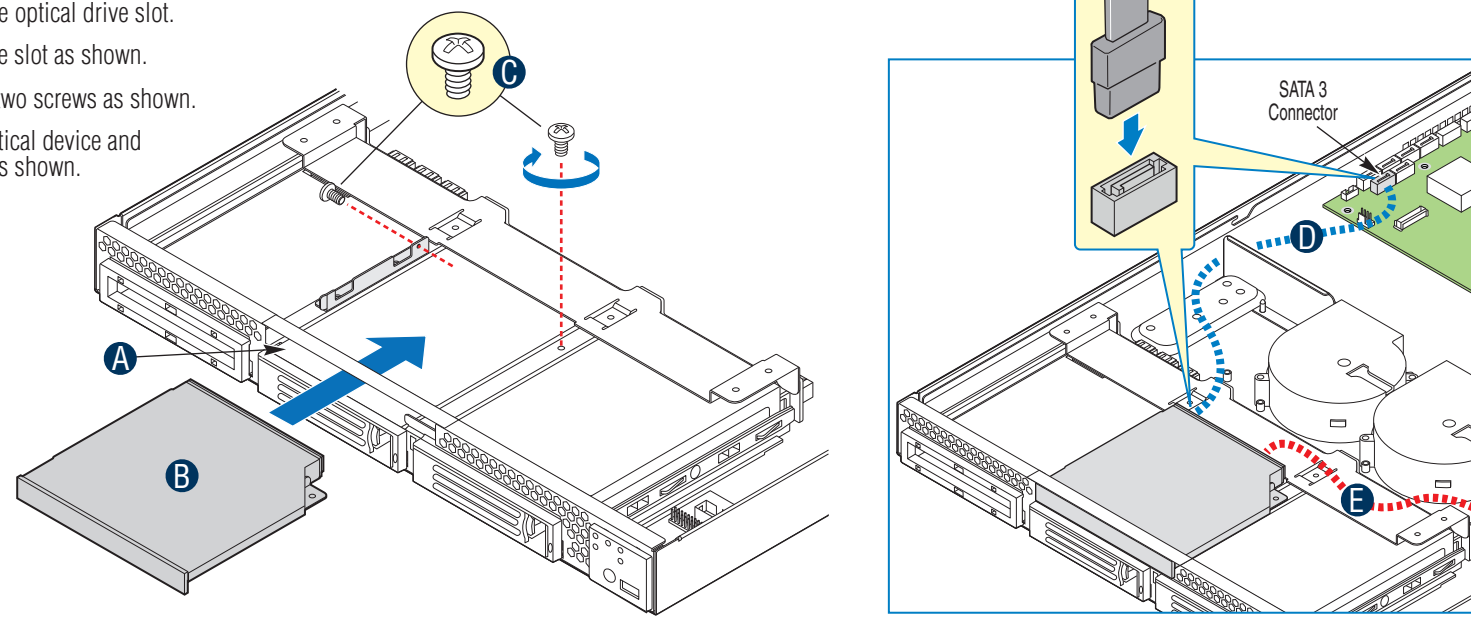


### 9 Install and Cable Optical Device (optional)

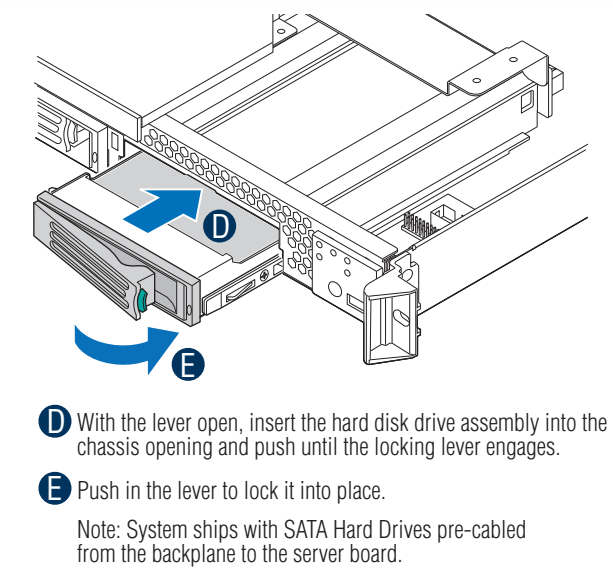
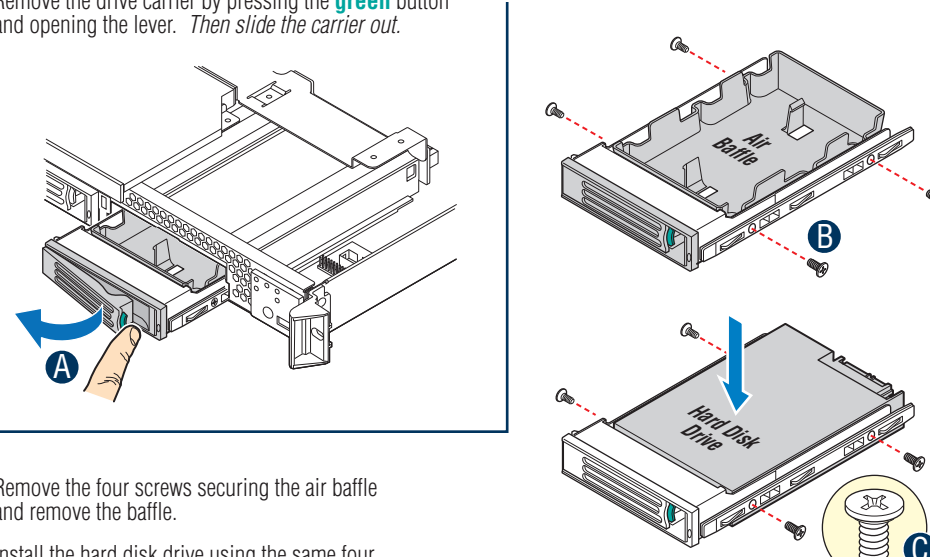
- A Remove the filler panel from the optical drive slot.
- B Insert the optical device into the slot as shown.
- C Secure the optical device with two screws as shown.
- D Connect SATA data cable to optical device and server board SATA connector as shown.
- E Connect the optical device power cable, routed as shown from the power supply.



### 10 Install Hard Drives/Carriers

Repeat these steps for each installed hard drive

- A Remove the drive carrier by pressing the green button and opening the lever. Then slide the carrier out.
- B Remove the four screws securing the air baffle and remove the baffle.
- C Install the hard disk drive using the same four screws as shown. Make sure the connector end of the drive matches the backplane connector.

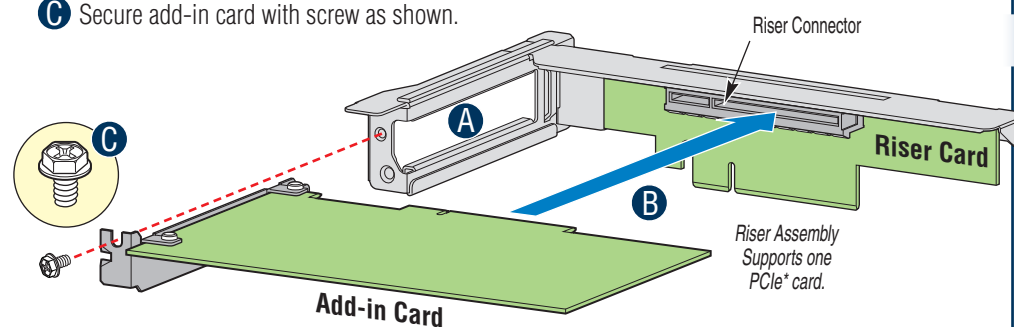


- D With the lever open, insert the hard disk drive assembly into the chassis opening and push until the locking lever engages.
  - E Push in the lever to lock it into place.
- Note: System ships with SATA Hard Drives pre-cabled from the backplane to the server board.

**CAUTION:** If you install less than three drives or devices, empty drive bays must be occupied by carriers with baffles to maintain proper system cooling.

### 11 Install PCIe Add-in Card

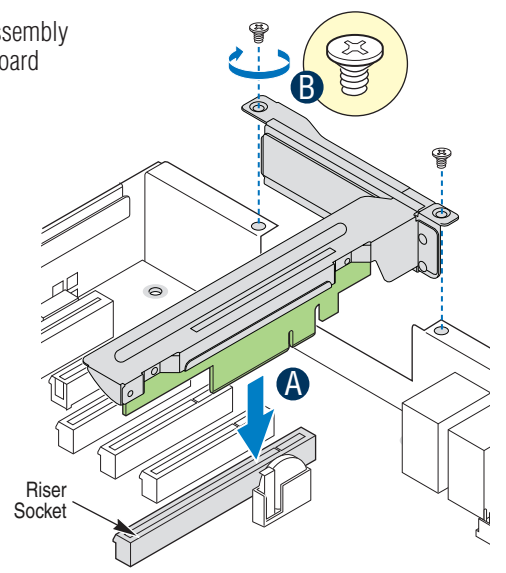
- A Remove filler panel from the add-in card slot.
- B Insert add-in card until it seats in the riser connector.
- C Secure add-in card with screw as shown.



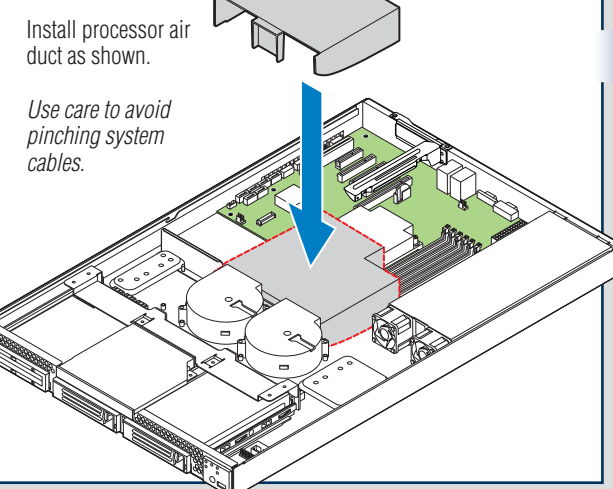
**CAUTION:** Observe normal ESD precautions when installing add-in cards.

### 12 Install PCIe Add-in Card Riser Assembly

- A Align the riser assembly with the server board riser socket.
- B Press the riser assembly into place and secure with two screws.

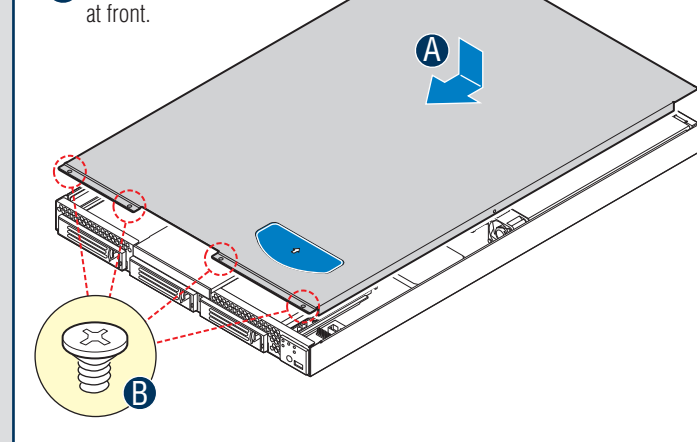


### 13 Install Processor Air Duct

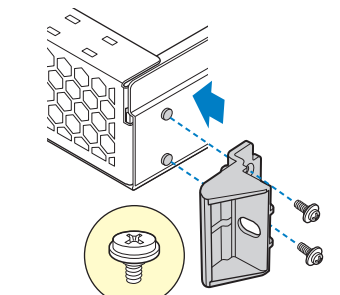


### 14 Install the Top Cover

- A Place cover onto chassis and slide forward.
- B Install four screws at front.

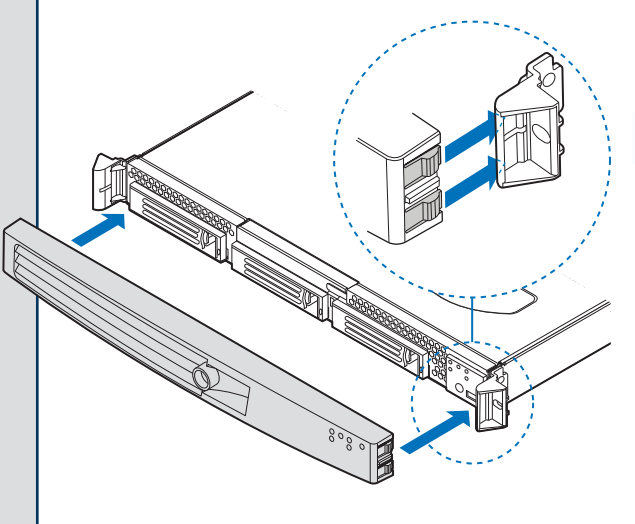


### 15 Install Rack Handles



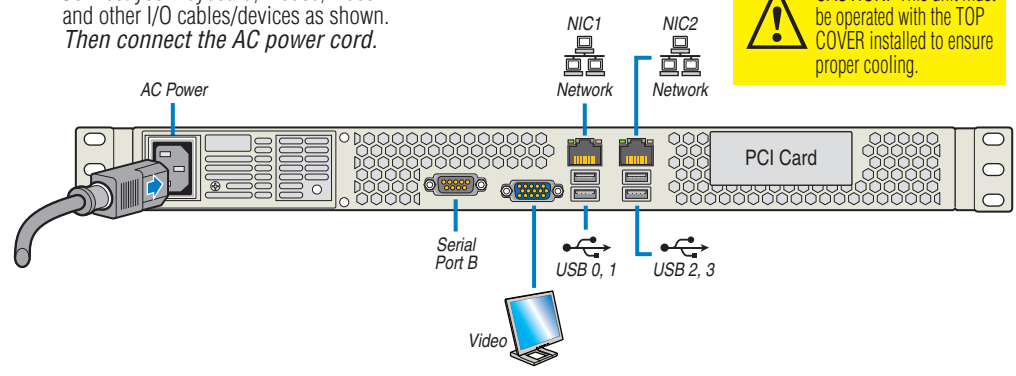
**Install Rail Kit (optional)**  
See the documentation that came with your selected rail kit for installation instructions.

### 16 Install Bezel (optional)



### 17 Finishing Up

- Before installing your operating system, you must finish your system installation and connect back panel I/O connectors and AC power.
- Make sure you have replaced the system cover.
  - Connect your keyboard, mouse, video and other I/O cables/devices as shown. Then connect the AC power cord.

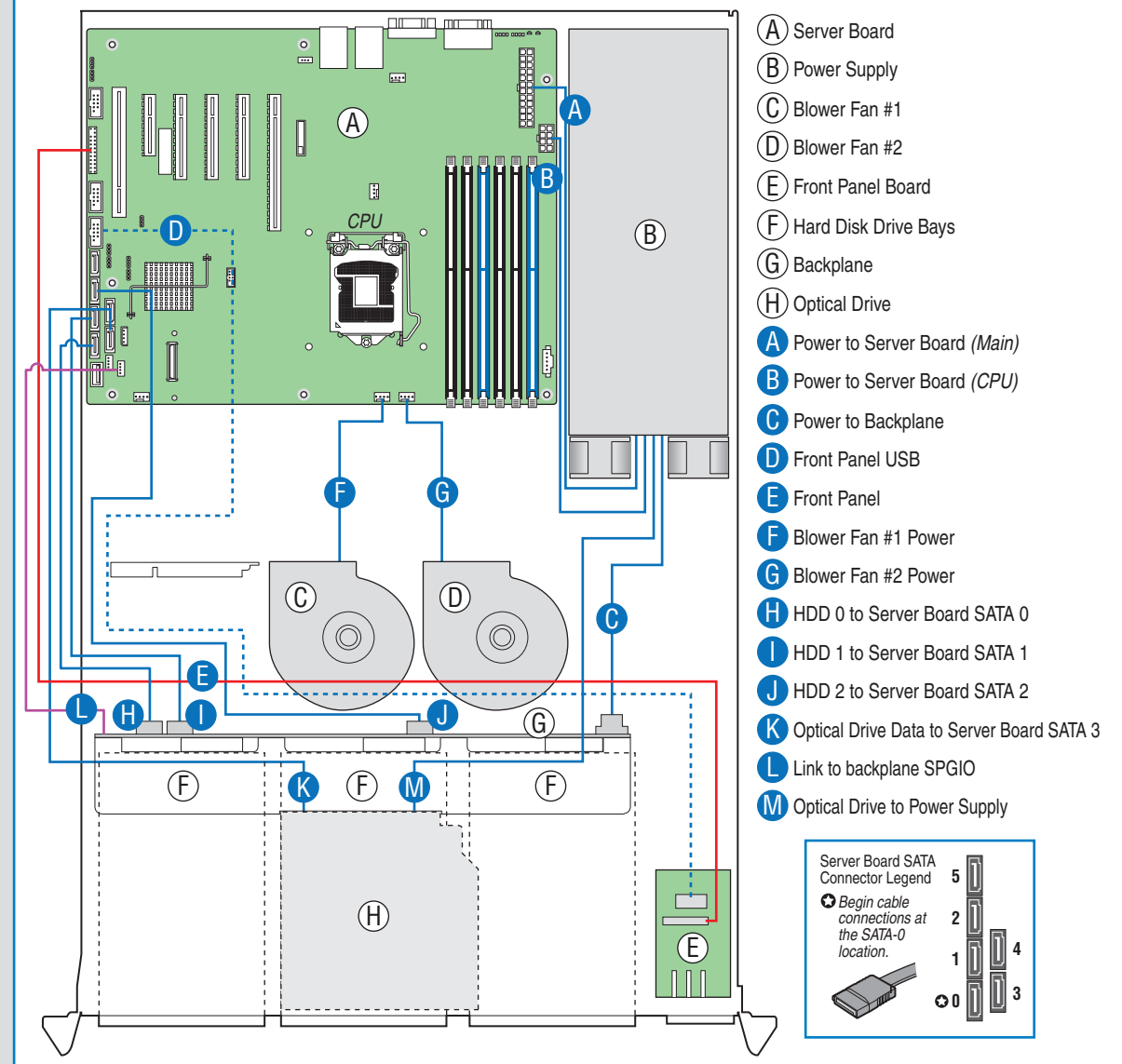


**CAUTION:** This unit must be operated with the TOP COVER installed to ensure proper cooling.

### 18 Install Software • BIOS, Drivers, and Operating System Install

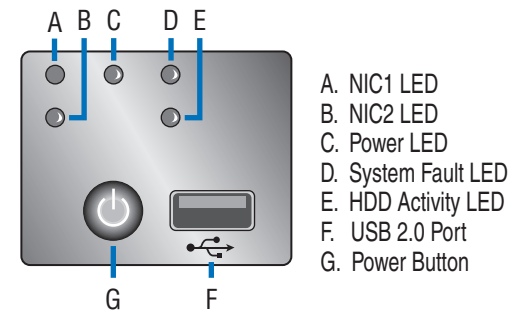
- A. **Confirm BIOS Version:** Look on the Server/System Management screen in the BIOS Setup Utility to determine the installed BIOS version. Compare this to the versions at: <http://support.intel.com/support/motherboards/server/s3420g>. If new versions are available, update the BIOS on your server. See the User Guide on the Intel® Server Deployment Toolkit CD for update instructions.
- B. **Configure your RAID Controller:** Use the instructions provided with the RAID controller.
- C. **Install your Operating System:** Use the instructions provided with the RAID controller and with the operating system.
- D. **Install Operating System Drivers:** With the operating system running, insert the Intel® Server Deployment Toolkit CD. If using a Microsoft Windows® operating system, the installer will autoun and allow you to select the appropriate drivers to install. On other operating systems, browse the CD folders to locate and install the driver files.

### Platform Cabling Diagram



Reference

### Front Panel Controls and Indicators (shown with bezel removed)



Optional Accessories and Order Codes	
350 Watt Power Supply	FHJ350WPS
System Blower Fan Spare	FHJBLOWER
Hot-Swap Chassis Product Maintenance Kit	FHJTUPPMKIT
PCIe* x16 Riser Card	AHJTPCIRISER

A complete list of accessories and spares can be found at: [www.intel.com/go/serverbuilder](http://www.intel.com/go/serverbuilder)

### Intel® Server Board S3420GP Component Layout

Note: Not all components, jumpers and connectors are described in this diagram. Refer to your Server Board User's Guide on the Intel® Server Deployment Toolkit CD for additional information.

