

Intel® Server System SR1500ALSASR Quick Start User's Guide

Thank you for buying an Intel® Server System. The following information will help you assemble your Intel® Server System SR1500ALSASR and install components.

This guide and other supporting documents are located on the web at <http://support.intel.com/support/motherboards/server>.

If you are not familiar with ESD (Electrostatic Discharge) procedures used during system integration, please see the Intel® Server System SR1500ALSASR User's Guide, available on the Intel® Server Deployment Toolkit 2.0 CD or at <http://support.intel.com/support/motherboards/server/chassis/sr1500/howto.htm>.

Please boot to the Intel® Server Deployment Toolkit 2.0 CD first for BIOS and firmware configuration and updates.

Read all cautions and warnings first before starting your server system integration.



Minimum Hardware Requirements

To avoid integration difficulties and possible damage to your system, make sure you have components from each category below.

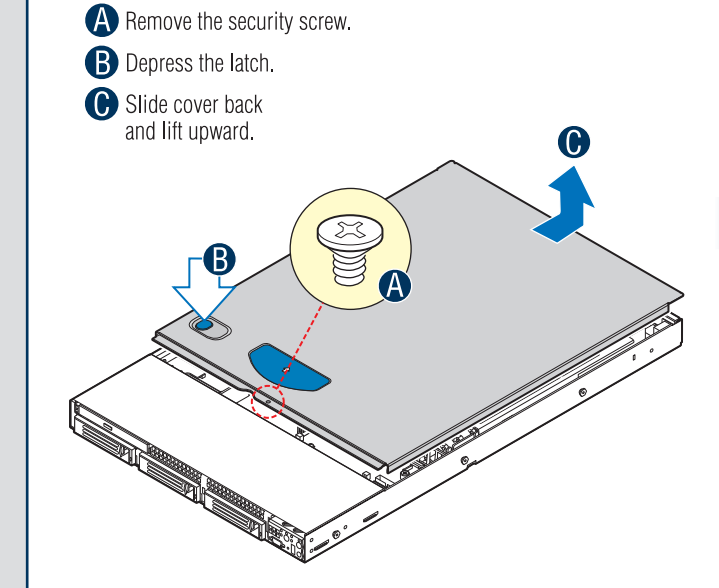
- Processor:**
 - Minimum of one Dual-Core Intel® Xeon® processor 5000 sequence with 2 MB cache support.
- Heat Sink:**
 - 1U passive heat sink for each processor installed.
- Memory:**
 - Minimum of one 512MB, DDR2 FBDIMM 533/667 MHz compliant 240-pin DIMM.
- Hard Disk Drives:**
 - SATA/SAS

1 Preparing the Chassis

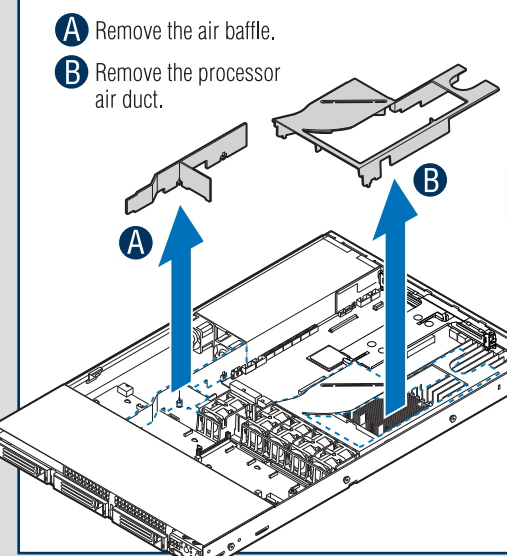
Observe normal ESD (Electrostatic Discharge) procedures.

Place your Intel® Server Chassis on a flat anti-static surface to perform the following integration procedures. Always touch the chassis frame first, before reaching inside to make server board connections or to install components.

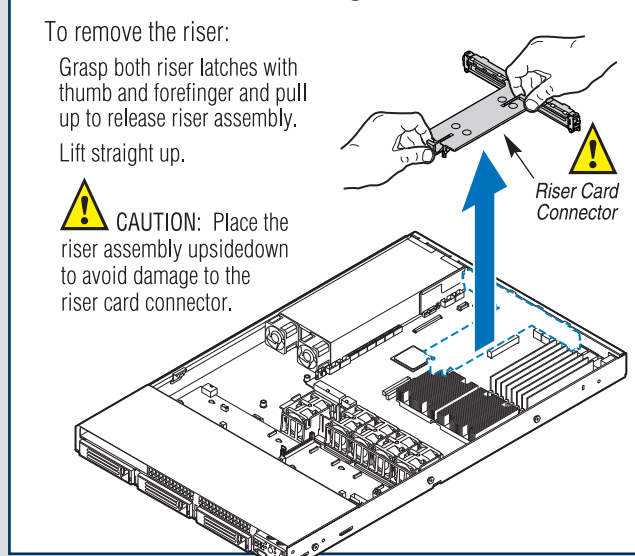
2 Remove Top Cover



3 Remove Air Baffle and Processor Air Duct



4 Remove Add-in Card Riser Assembly



IMPORTANT! Before proceeding further, do the following:

Check your Intel® Server System for disconnected or loose cables and components that may have occurred during shipping.

5 Install the Processor(s)

Notes and Cautions:

- 1. When opening a socket, DO NOT TOUCH the gold socket wires.
- 2. When unpacking a processor, hold by the edges only to avoid touching the gold contacts.

A. Open the Socket Lever

B. Open the Load Plate

C. Remove the Processor Protective Cover

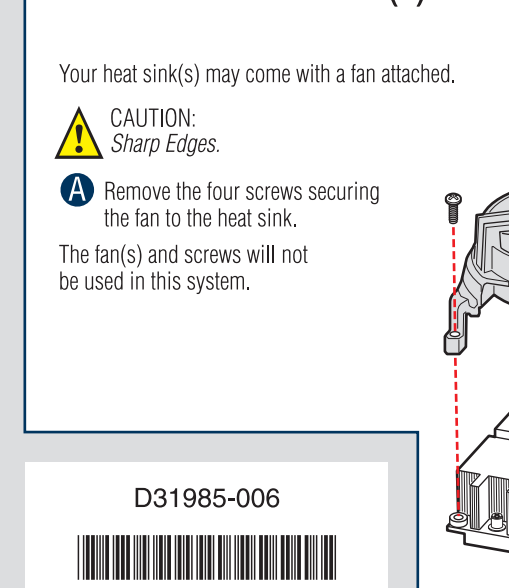
D. Install the Processor

CAUTION: The underside of the processor has components that may damage the socket pins if installed improperly. Processor must align correctly with socket opening before installation. DO NOT DROP processor into socket!

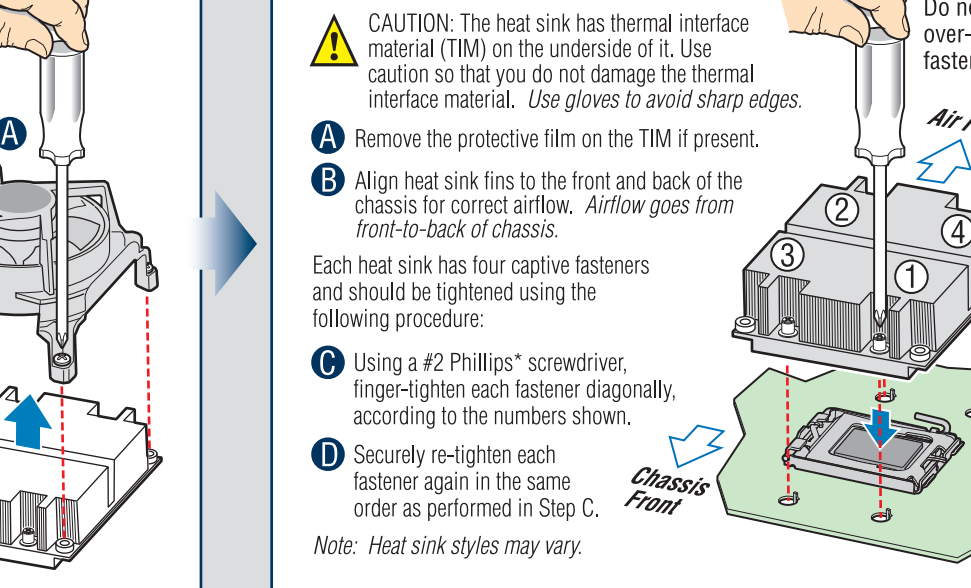
E. Remove Socket Protective Cover

F. Close Load Plate and Socket Lever

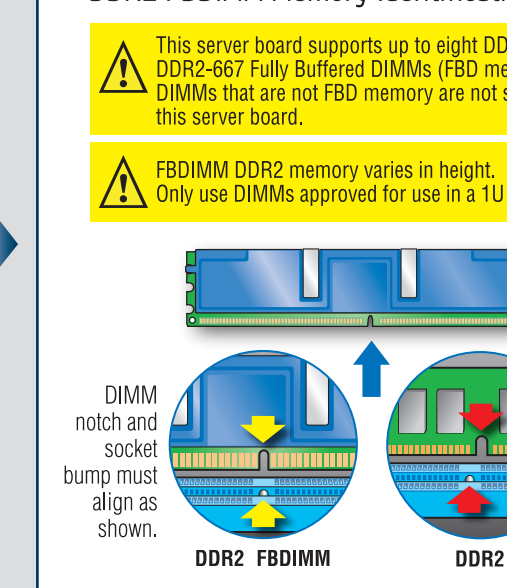
6 Remove Fan(s) from Heat Sink(s)



7 Install Heat Sink(s)



8 Install Memory DIMMs



Memory Configurations and Population Order:

Memory Type: Minimum of one 512MB, DDR2 FBDIMM 533/667 MHz compliant 240-pin DIMMs.

Populate DDR2 FBDIMMs in the order of A1, B1, C1, D1 and A2, B2, C2 and D2.

For best performance, a minimum of four DIMMs is recommended.

Note: For additional memory configurations, see the User Guide on the CD that accompanied your Intel® Server System SR1500ALSASR, or go to: <http://support.intel.com/support/motherboards/server/chassis/sr1500>

Memory sizing and configuration is supported only for qualified DIMMs approved by Intel®. For a list of supported memory, see the tested memory list at <http://support.intel.com/support/motherboards/server/chassis/sr1500/compat.htm>

To Install DIMMs:

- CAUTION: Avoid touching contacts when handling or installing DIMMs.
- A: Open both DIMM socket levers.
- B: Note location of alignment notch.
- C: Insert DIMM making sure the connector edge of the DIMM aligns correctly with the slot.
- D: Push down firmly on the DIMM until it snaps into place and both levers close.
- E: IMPORTANT! Visually check that each latch is fully closed and correctly engaged with each DIMM edge slot.

Warning

Read all caution and safety statements in this document before performing any of the instructions. Also see the Intel® Server Board and Server Chassis Safety Information document at: <http://support.intel.com/support/motherboards/server/sb/cs-010770.htm> for complete safety information.

Warning

Installation and service of this product should only be performed by qualified service personnel to avoid risk of injury from electrical shock or energy hazard.

Caution

Observe normal ESD (Electrostatic Discharge) procedures during system integration to avoid possible damage to server board and/or other components.

Tools Required

- Phillips® screwdriver
- Anti-static wrist strap

Intel is a registered trademark of Intel Corporation or its subsidiaries in the United States and other countries. *Other names and brands may be claimed as the property of others. Copyright © 2007, Intel Corporation. All rights reserved.

