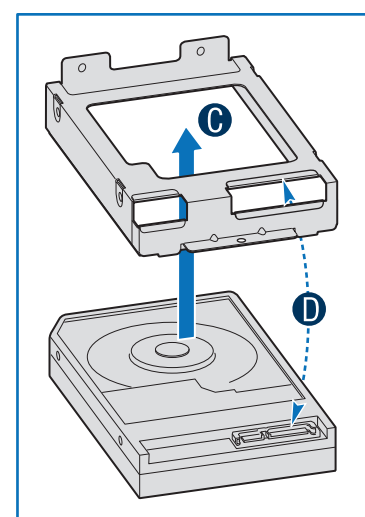
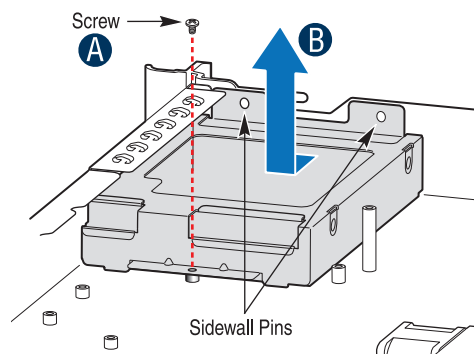
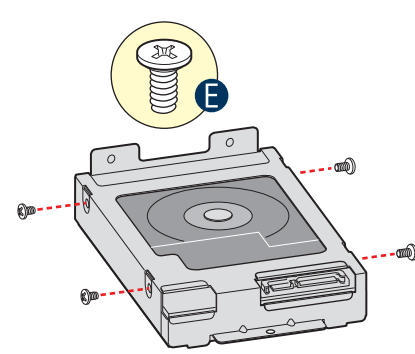


### 8 Install Hard Drives/Carriers

- A Remove the screw securing the drive carrier to the chassis.
- B Slide the carrier away from the two chassis sidewall pins and remove.



- C Insert hard drive into the carrier.
- D Make sure connector-end of drive goes into the carrier as shown.

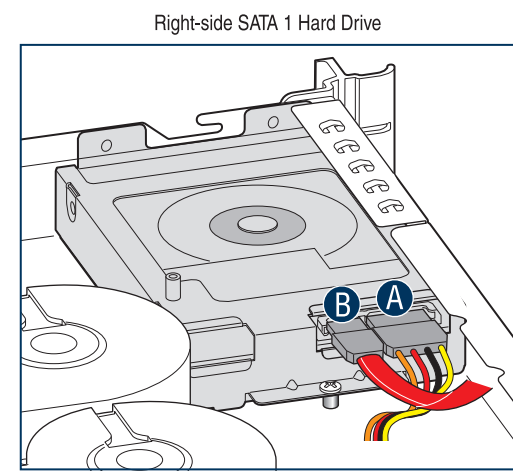
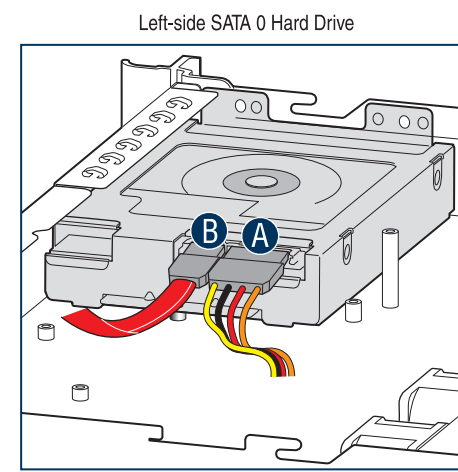
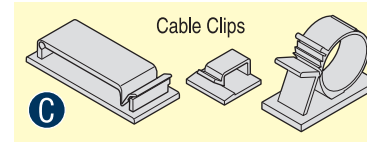


- E Attach the hard drive to the carrier with four screws as shown.
- F Re-install the hard drive/carrier assembly into the chassis.

Repeat these steps for each installed hard drive

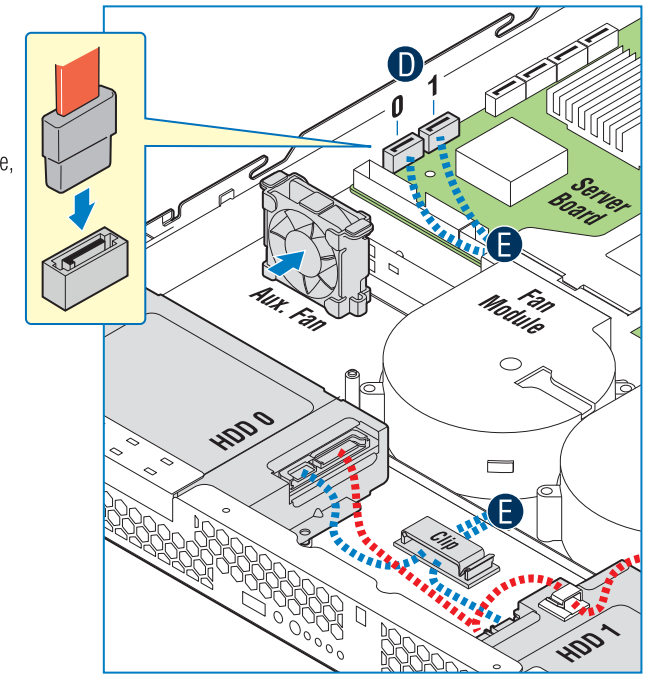
### 9 Cabling Hard Drives

- A Attach a SATA power cable to each hard drive as shown.
- B Attach a SATA data cable to each hard drive as shown.
- C Use the cable clips provided with your chassis to maintain proper air flow.



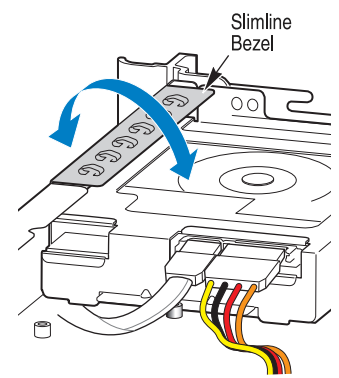
- D Attach each SATA data cable to its matching server board SATA connector as shown.
- E Route cables underneath the fan module, then to server board as shown.

**CAUTION** It is critical that you connect the SATA data cables correctly from the hard drives to your server board.  
Example: HDD0 to server board SATA0.  
Failure to do so may result in data loss.

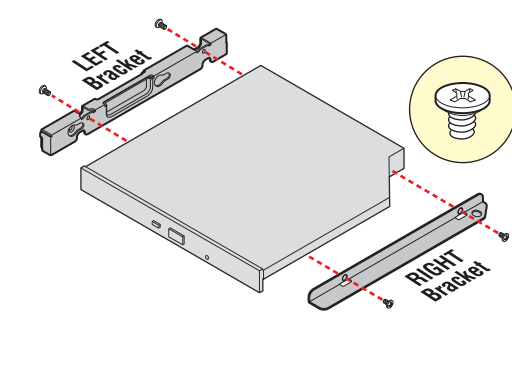


### 10 Install and Cable Optical Device (optional)

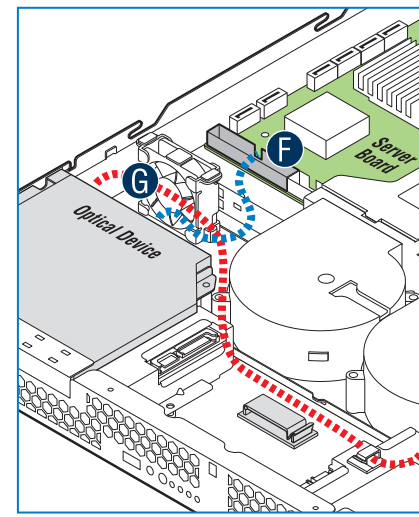
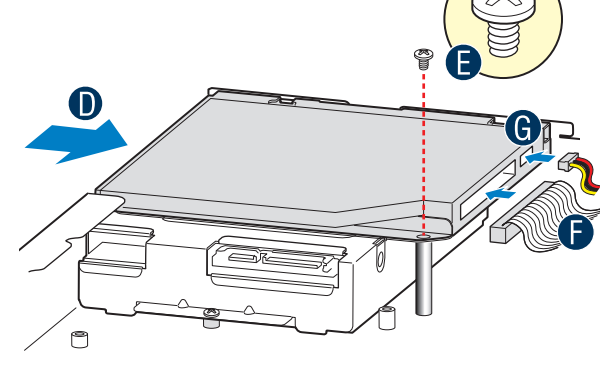
- A Before installing the optical device, you must remove the slimline bezel. Remove by rocking back and forth to break the attach points. Once removed, this bezel cannot be used again.



- B Attach the LEFT bracket to the optical device as shown.
- C Attach the RIGHT bracket to the optical device.

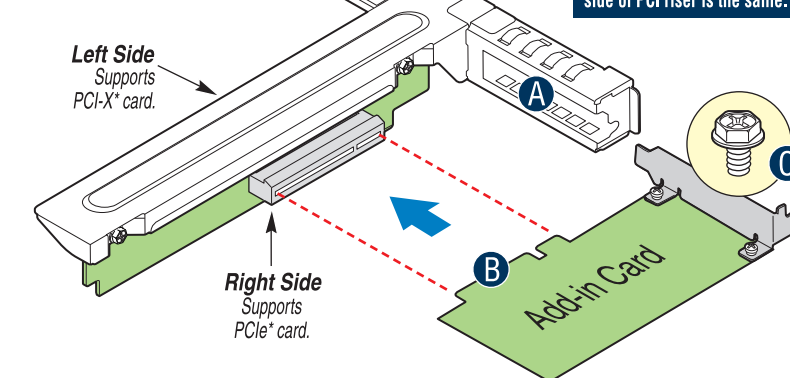


- D Insert optical device assembly into front panel opening.
- E Attach optical device tray to chassis standoff as shown.
- F Connect data ribbon cable to optical device and server board IDE connector as shown.
- G Connect power cable.



### 11 Install PCI Add-in Card(s)

- A Remove filler panel from the selected add-in card slot.
- B Insert add-in card until it seats in the riser connector.
- C Secure add-in card with screw.

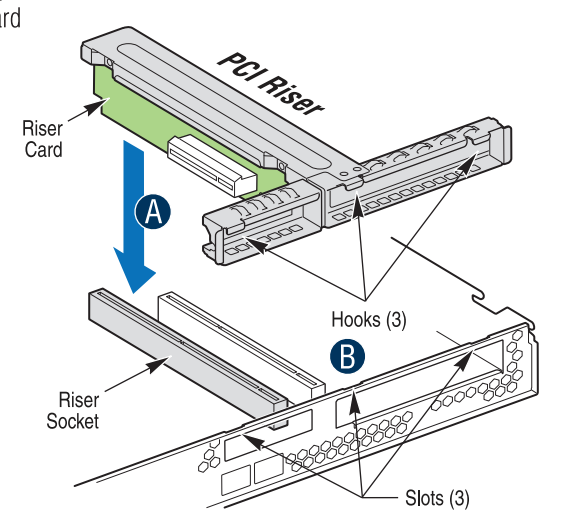


**CAUTION:** Observe normal ESD precautions when installing add-in cards.

Note: Add-in card install sequence for low-profile add-in cards on opposite side of PCI riser is the same.

### 12 Install PCI Add-in Card Riser Assembly

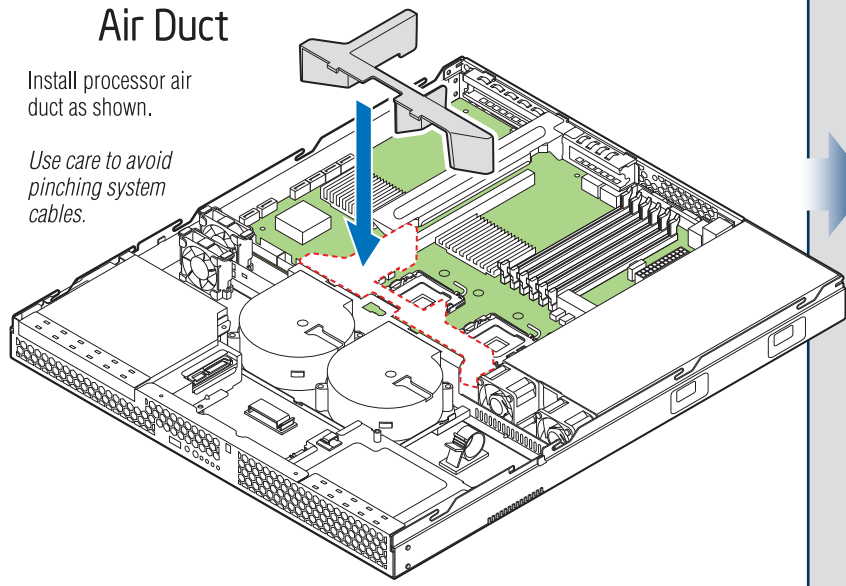
- A Align the riser card with the server board riser socket.
- B Before pressing into place, make sure the three hooks engage the three slots on the back panel top edge.



### 13 Install Processor Air Duct

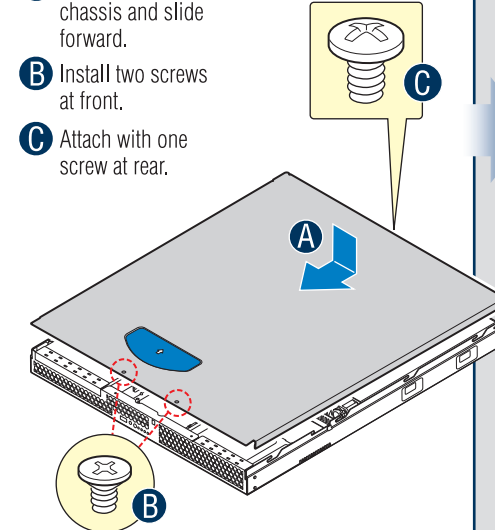
Install processor air duct as shown.

Use care to avoid pinching system cables.

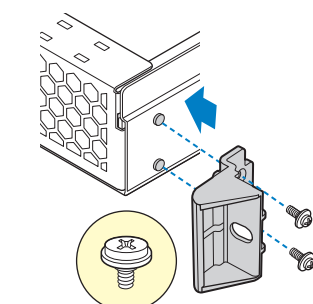


### 14 Install the Top Cover

- A Place cover onto chassis and slide forward.
- B Install two screws at front.
- C Attach with one screw at rear.



### 15 Install Rack Handles



Install Rail Kit (optional)

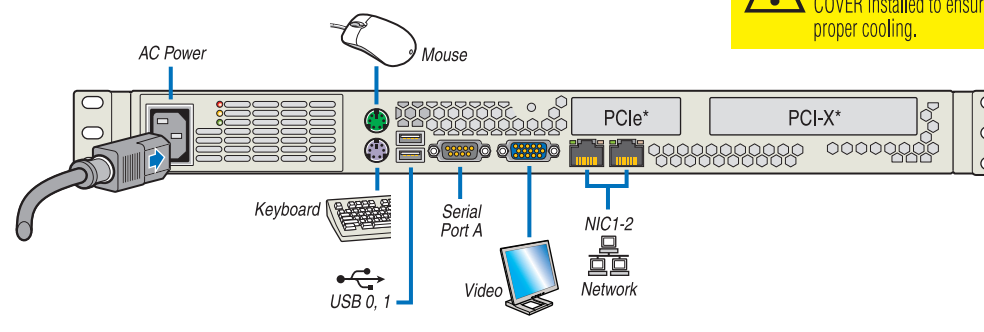
See the documentation that came with your selected rail kit for installation instructions.

### 16 Finishing Up

Before installing your operating system, you must finish your system installation and connect back panel I/O connectors and AC power.

- Make sure you have replaced the system cover.
- Connect your keyboard, mouse, video and other I/O cables/devices as shown. Then connect the AC power cord.

**CAUTION:** This unit must be operated with the TOP COVER installed to ensure proper cooling.

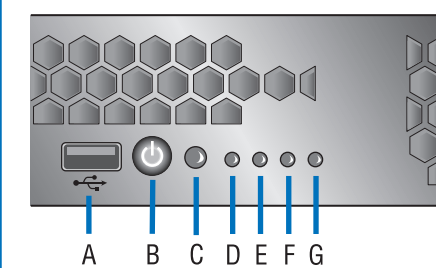


### 17 Install Software • BIOS, Drivers, and Operating System Install

- A. **Confirm BIOS Version:** Look on the Server/System Management screen in the BIOS Setup Utility to determine the installed BIOS version. Compare this to the versions at: <http://support.intel.com/support/motherboards/server/s5000vcl>. If new versions are available, update the BIOS on your server. See the User Guide on the Intel® Server Deployment Toolkit 2.0 CD for update instructions.
- B. **Configure your RAID Controller:** Use the instructions provided with the RAID controller.
- C. **Install your Operating System:** Use the instructions provided with the RAID controller and with the operating system.
- D. **Install Operating System Drivers:** With the operating system running, insert the Intel® Server Deployment Toolkit 2.0 CD. If using a Microsoft® operating system, the Intel® Deployment Assistant will autonomously allow you to select the appropriate drivers to install. On other operating systems, browse the CD folders to locate and install the driver files.

## Reference

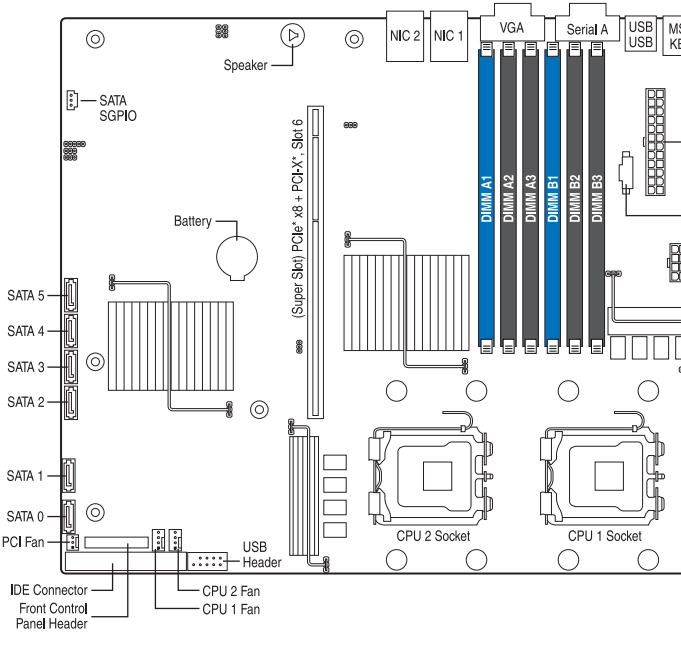
#### Front Panel Controls and Indicators (shown with bezel removed)



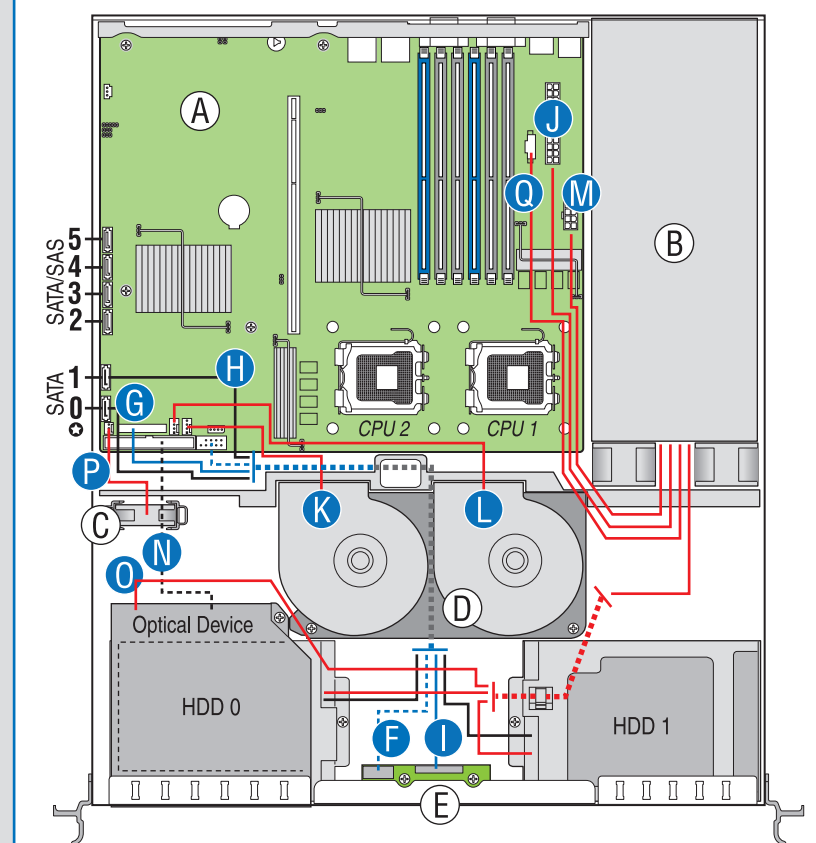
- A. USB 2.0 Port
- B. Power Button
- C. Status LED
- D. Power LED
- E. HDD Activity
- F. NIC1
- G. NIC2

#### Intel® Server Board S5000VCLR Component Layout

See your Intel® Server Board User's Guide for expanded component and connection information.



#### Platform Cabling Diagram



- A Server Board
- B Power Supply
- C PCI Fan
- D Fan Module
- E Front Panel Board
- F Front Panel USB
- G HDD 0 to Server Board SATA 0
- H HDD 1 to Server Board SATA 1
- I Front Panel
- J Power to Server Board (Main)
- K PCI Fan Power
- L Fan Module Power ... left fan
- M Power to Server Board (CPU)
- N Optical Device Data Cable
- O Optical Device Power
- P PCI Fan Power
- Q Aux. Power Signal (Optional)

Server Board SATA Connector Legend  
Begin cable connections at the SATA-0 location.



Optional Accessories and Order Codes		I/O Shield, 50-pack, for third party chassis	
400 Watt Power Supply	FHJ400WPS		ACLIO
Chassis Blower and Fan Kit	FHJBLOWER		
Fixed Chassis Product Maintenance Kit	FHJFIXPMKIT		
PCI-X*(ML/LP)/PCIe*(SL/LP) Riser Card	AHJPCRISER		
Slimline CD-ROM Drive	AXXSCD		
Tool-less Rail Kit	AXXHERAIL		
Cable Management Arm	AXXRACKARM		

A complete list of accessories and spares can be found at: [www.intel.com/go/serverbuilder](http://www.intel.com/go/serverbuilder)