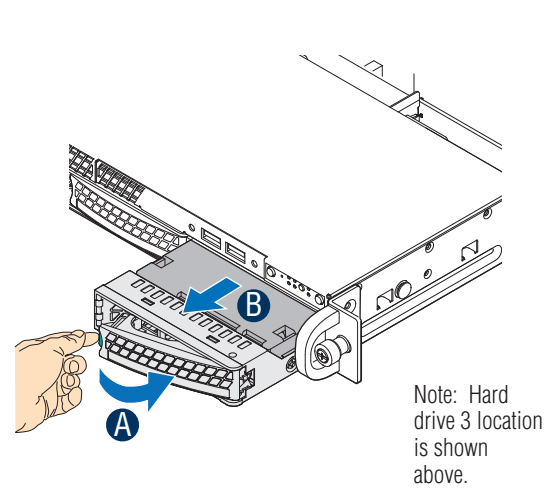


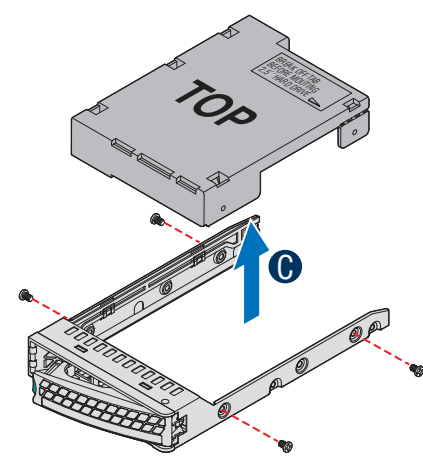
### 8 Install Hard Drives/Carriers

- A** Remove the drive carrier by pressing the green button and opening the lever.
- B** Slide the carrier away from the chassis.

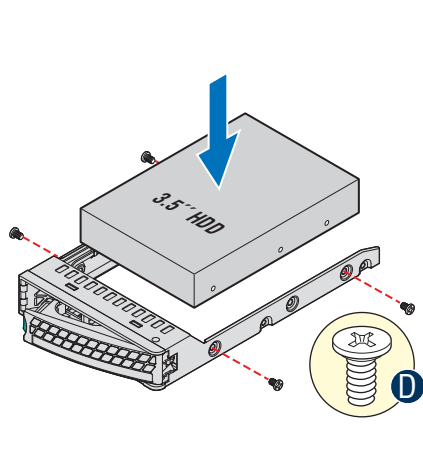


Note: Hard drive 3 location is shown above.

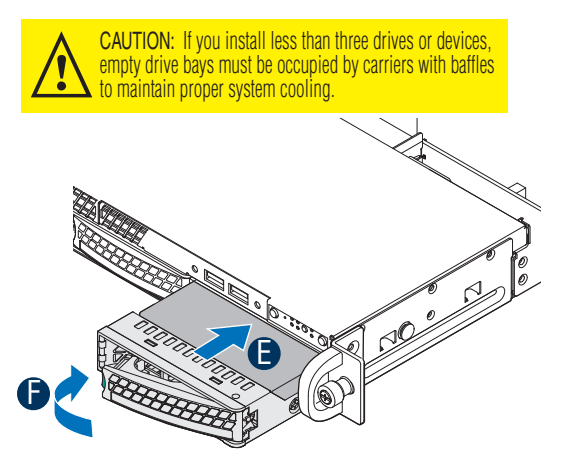
- C** Remove the air baffle and save for future use.



- D** Attach the hard drive to the carrier with four screws as shown.



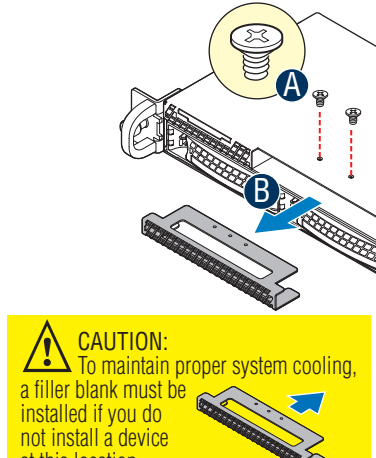
- E** With the lever open, insert the hard disk drive assembly into the chassis opening and push until the locking lever engages.
- F** Push in the lever to lock it into place.



**CAUTION:** If you install less than three drives or devices, empty drive bays must be occupied by carriers with baffles to maintain proper system cooling.

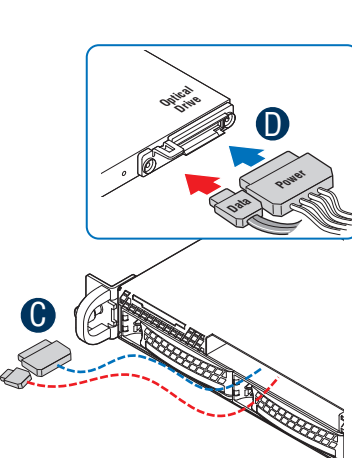
### 9 Install and Cable Optical Device (optional)

- A** Remove the security screws.
- B** Remove the Filler Panel.



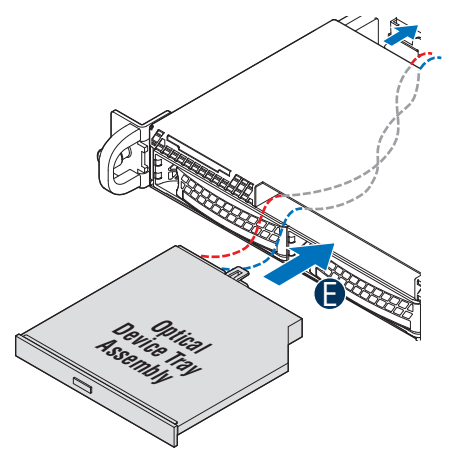
**CAUTION:** To maintain proper system cooling, a filler blank must be installed if you do not install a device at this location.

- C** Pull the power and data cables through the front of the chassis opening.
- D** Connect the cables as shown.



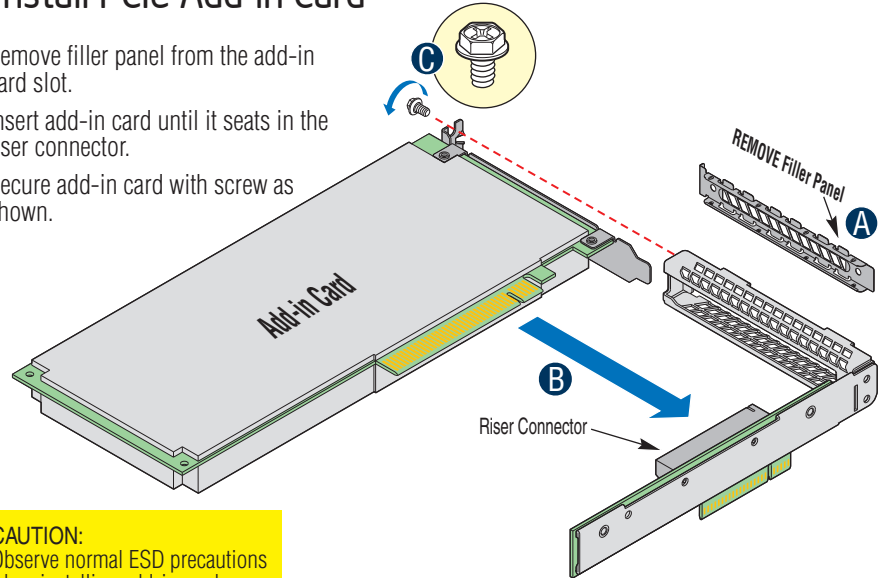
**IMPORTANT NOTE:** Refer to the Cabling Diagram below for connection locations and cable routing.

- E** Insert optical device assembly into front panel opening.



### 10 Install PCIe Add-in Card

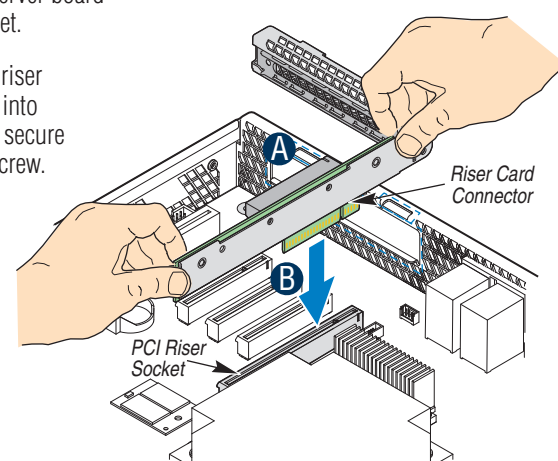
- A** Remove filler panel from the add-in card slot.
- B** Insert add-in card until it seats in the riser connector.
- C** Secure add-in card with screw as shown.



**CAUTION:** Observe normal ESD precautions when installing add-in cards.

### 11 Install PCIe Add-in Card Riser Assembly

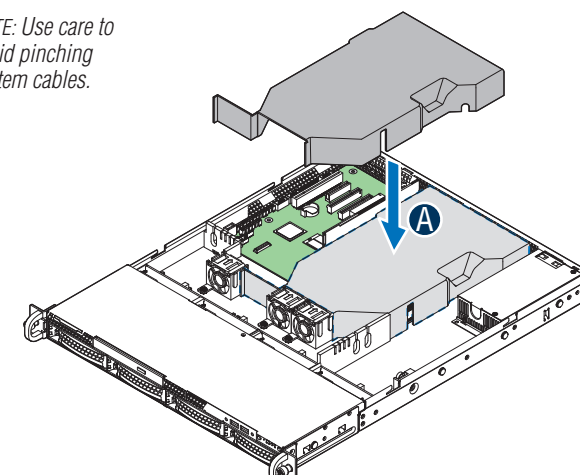
- A** Align the riser assembly with the server board riser socket.
- B** Press the riser assembly into place and secure with the screw.



### 12 Install Processor Air Duct

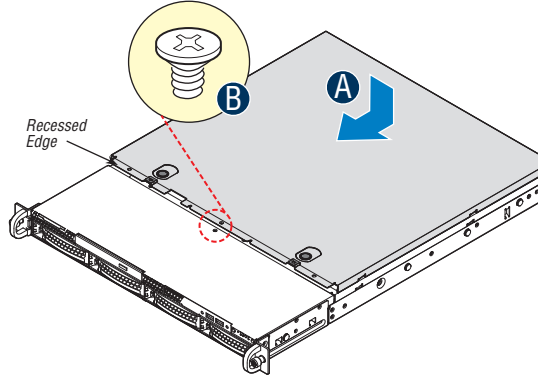
- A** Install processor air duct as shown.

**NOTE:** Use care to avoid pinching system cables.

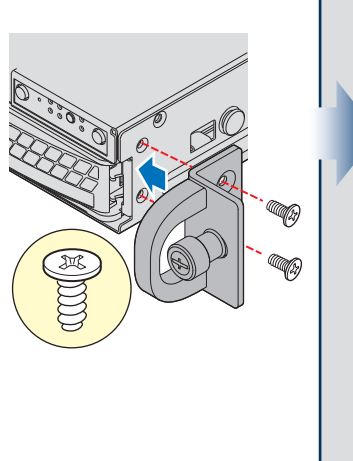


### 13 Install the Top Cover

- A** Place cover onto chassis and slide forward to engage recessed edge at front of cover, make sure the two latches are locked.
- B** Tighten the screw at front.



### 14 Install Rack Handles

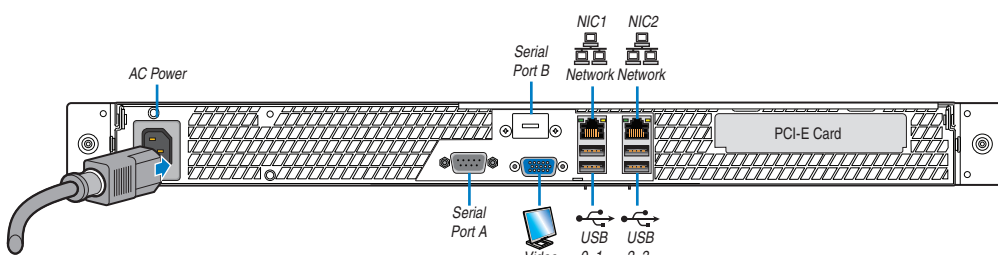


### 15 Finishing Up

Before installing your operating system, you must finish your system installation and connect back panel I/O connectors and AC power.

1. Make sure you have replaced the system cover.
2. Connect your keyboard, mouse, video and other I/O cables/devices as shown. Then connect the AC power cord.

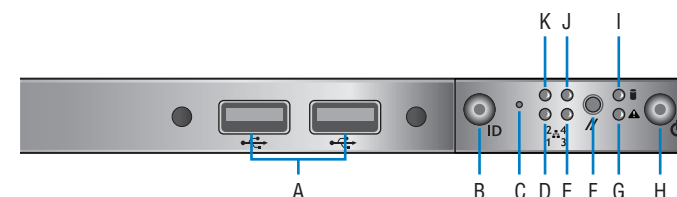
**CAUTION:** This unit must be operated with the TOP COVER installed to ensure proper cooling.



### 16 Software • BIOS, Drivers, and Operating System Installation

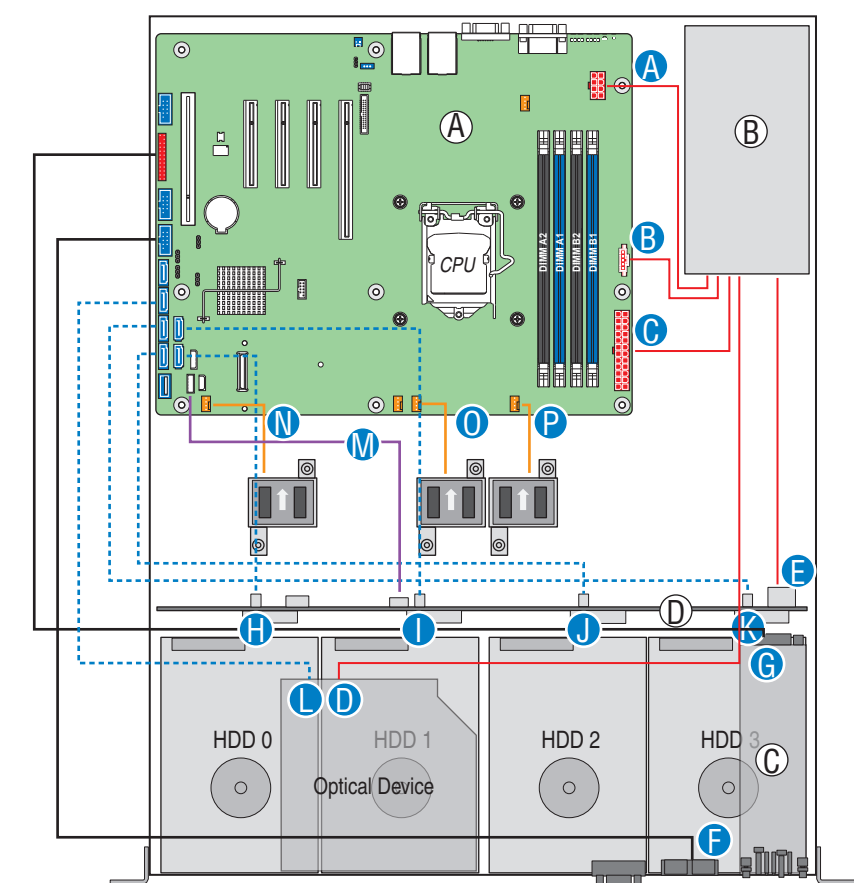
- A. Confirm BIOS Version:** Look on the Server/System Management screen in the BIOS Setup Utility to determine the installed BIOS version. Compare this to the versions at: <http://www.intel.com/support/motherboards/server>. If new versions are available, update the BIOS on your server. See the Technical Product Specification on the Intel® Server Deployment Toolkit CD for update instructions.
- B. Configure your RAID Controller:** Use the instructions provided with the RAID controller.
- C. Install your Operating System:** Use the instructions provided with the RAID controller and with the operating system.
- D. Install Operating System Drivers:** With the operating system running, insert the Intel® Server Deployment Toolkit CD. If using a Microsoft Windows® operating system, the Intel® Deployment Assistant will autoun and allow you to select the appropriate drivers to install. On other operating systems, browse the CD folders to locate and install the driver files.

### Front Panel Controls and Indicators (shown with bezel removed)

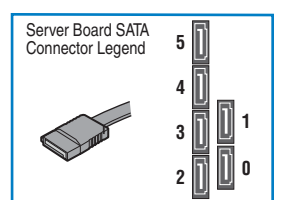


- A. USB 2.0 Connectors
- B. System ID Button
- C. NMI Button
- D. LAN1 LED
- E. LAN3 LED
- F. Reset Button
- G. Status/Fault LED
- H. Power Button
- I. HDD LED
- J. LAN4 LED
- K. LAN2 LED

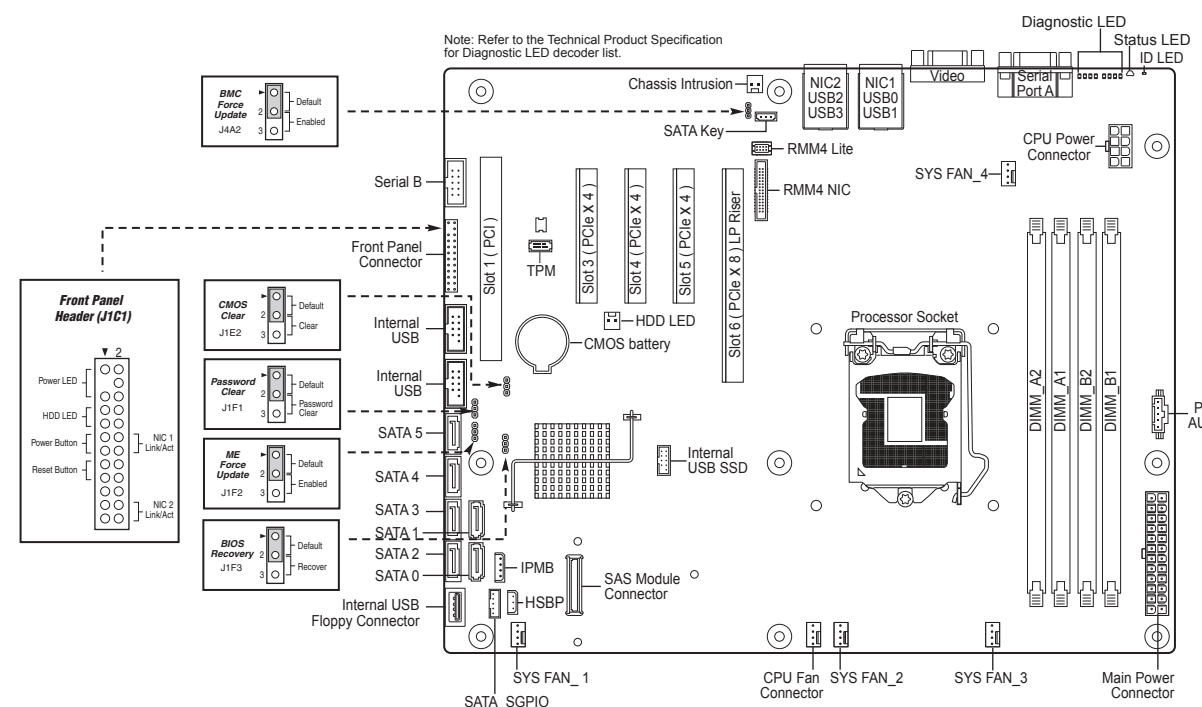
### Platform Cabling Diagram



- A** Server Board
- B** Power Supply
- C** Front Panel Board
- D** Backplane
- A** Power to Server Board (CPU)
- B** PSU Management Bus to AUX
- C** Power to Server Board (Main)
- D** Optical Device to Power Supply
- E** Optical Device to Power Supply
- F** Power to Backplane
- G** Front Panel
- H** HDD 0 to Server Board SATA 0
- I** HDD 1 to Server Board SATA 1
- J** HDD 2 to Server Board SATA 2
- K** HDD 3 to Server Board SATA 3
- L** Optical Device SATA Data Cable
- M** Link to Backplane SGPIO
- N** Blower Fan #1 Power
- O** Blower Fan #2 Power
- P** Blower Fan #3 Power



### Intel® Server Board S1200BTL Component Layout



Reference

Optional Accessories/Spares and Order Codes	
Fixed mount bracket kit	AXXBRACKETS
SATA Slim-line DVD	AXXSATADVD
Intel® Remote Management Module 4	AXXRM4
Intel® Remote Management Module 4 Lite	AXXRM4Lite
Intel® SAS Entry RAID Module	AXX4SASMOD
Intel® Trusted Platform Module	AXXTPM

A complete list of accessories and spares can be found at: <http://www.intel.com/support/motherboards/server>

#### Available Documents

- Technical Product Specification
- Quick Reference Label
- Quick Start User Guide/System Configuration Guide

Additional Reference documents available at: <http://www.intel.com/support/motherboards/server>

