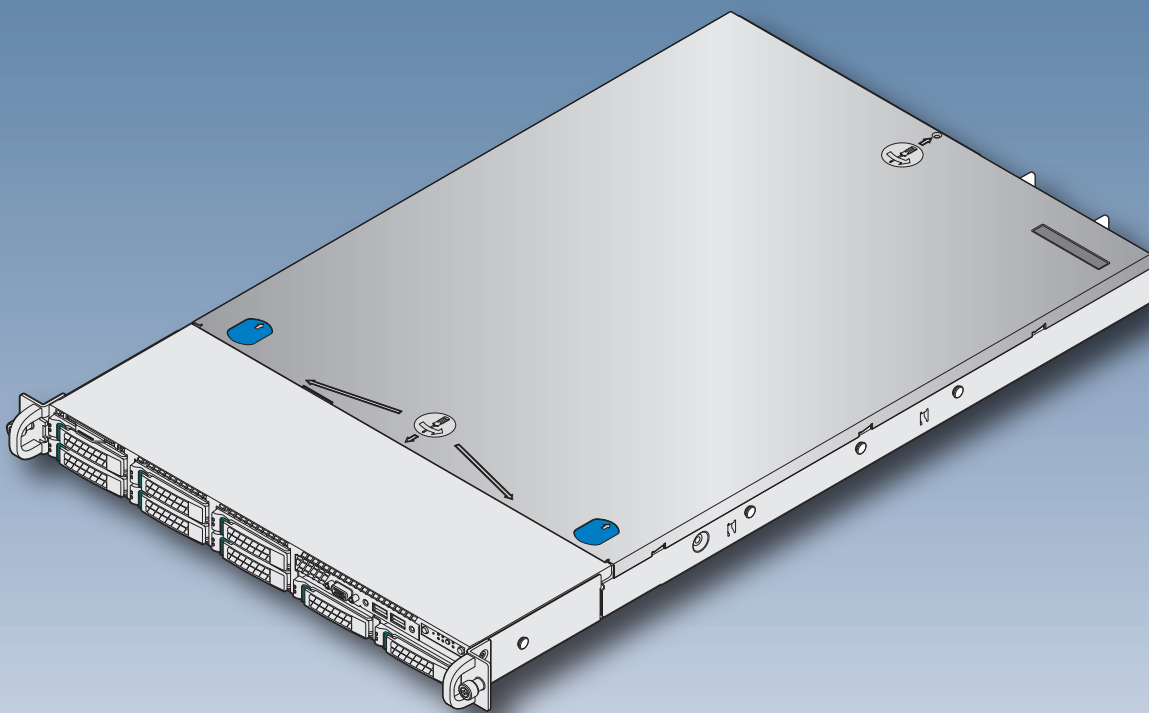


Intel® Server System R1000GZ/GL Product Family Quick Installation User's Guide

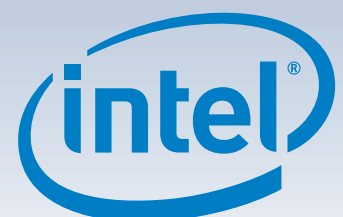
Thank you for buying an Intel® Server System. The following information will help you assemble your Intel® Server System and install components.

If you are not familiar with ESD [Electrostatic Discharge] procedures used during system integration, see the complete ESD procedures described in your *Service Guide*.

This guide and other supporting documents are located on the web at:
<http://www.intel.com/support>.



* 2.5" hard drive bay system as shown



G31060-004

(This page is intentionally left blank.)

Table of Contents

System Overview	1
General Installation Process	2
Preparing the System	2
Remove the Top Cover	2
Remove the Air Duct	2
Remove Processor Heatsink(s)	2
Install the Processor(s)	3
Install Processor Heatsink(s)	4
Install Memory Modules	4
Install Hard Drives	5
Install Optical Drive	7
Install the Air Duct	7
Remove Add-in Card Riser Assembly	7
Install Add-in Card(s)	7
Install Add-in Card Riser Assembly	8
Install Rack Handles	8
Install Intel® I/O Expansion Module (optional)	8
Install Intel® RAID C600 Upgrade Key (optional)	8
Install Intel® RAID Smart Battery (optional)	8
Install Second Power Supply Module (optional)	9
Install Bezel (optional)	9
Install the Top Cover	9
Finishing Up	9
Software	10
Reference	11

Warning



Read all caution and safety statements in this document before performing any of the instructions. Also see the *Intel® Server Board and Server Chassis Safety Information* document at: <http://www.intel.com/support/motherboards/server/sb/cs-010770.htm> for complete safety information.

Warning



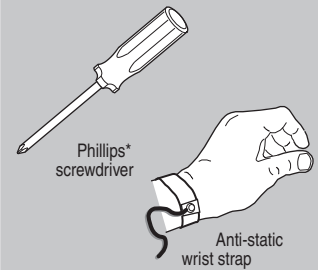
Installation and service of this product to be performed only by qualified service personnel to avoid risk of injury from electrical shock or energy hazard.

Caution



Observe normal ESD [Electrostatic Discharge] procedures during system integration to avoid possible damage to server board and/or other components.

Tools Required



Intel is a registered trademark of Intel Corporation or its subsidiaries in the United States and other countries. *Other names and brands may be claimed as the property of others. Copyright © 2012, Intel Corporation. All rights reserved.

Thermal Operation and Configuration Requirements

To keep the system operating within supported maximum thermal limits, the system must meet the following operating and configuration guidelines:

- Ambient inlet temperature cannot exceed 35° C and should not remain at this maximum level for long periods of time. Doing so may affect long term reliability of the system.
- The CPU-1 processor + CPU heatsink must be installed first. The CPU-2 heatsink must be installed at all times, with or without a processor installed.

• Memory Slot population requirements:

NOTE: Specified memory slots can be populated with a DIMM or supplied DIMM Blank. Memory population rules apply when installing DIMMs.

– DIMM Population Rules on CPU-1

Install DIMMs in order: Channels A, B, C, and D. Start with 1st DIMM slot (blue) on each channel, then slot 2, then slot 3 (24 DIMM board). Only remove DIMM blanks when populating the slot with a DIMM.

– DIMM Population on CPU-2

Install DIMMs in order: Channels E, F, G, and H. Start with 1st DIMM slot (blue) on each channel, then slot 2, then slot 3 (24 DIMM board). Only remove DIMM blanks when populating the slot with a DIMM.

The following system configurations require the specific memory slots be populated at all times using a DIMM or supplied DIMM blank.

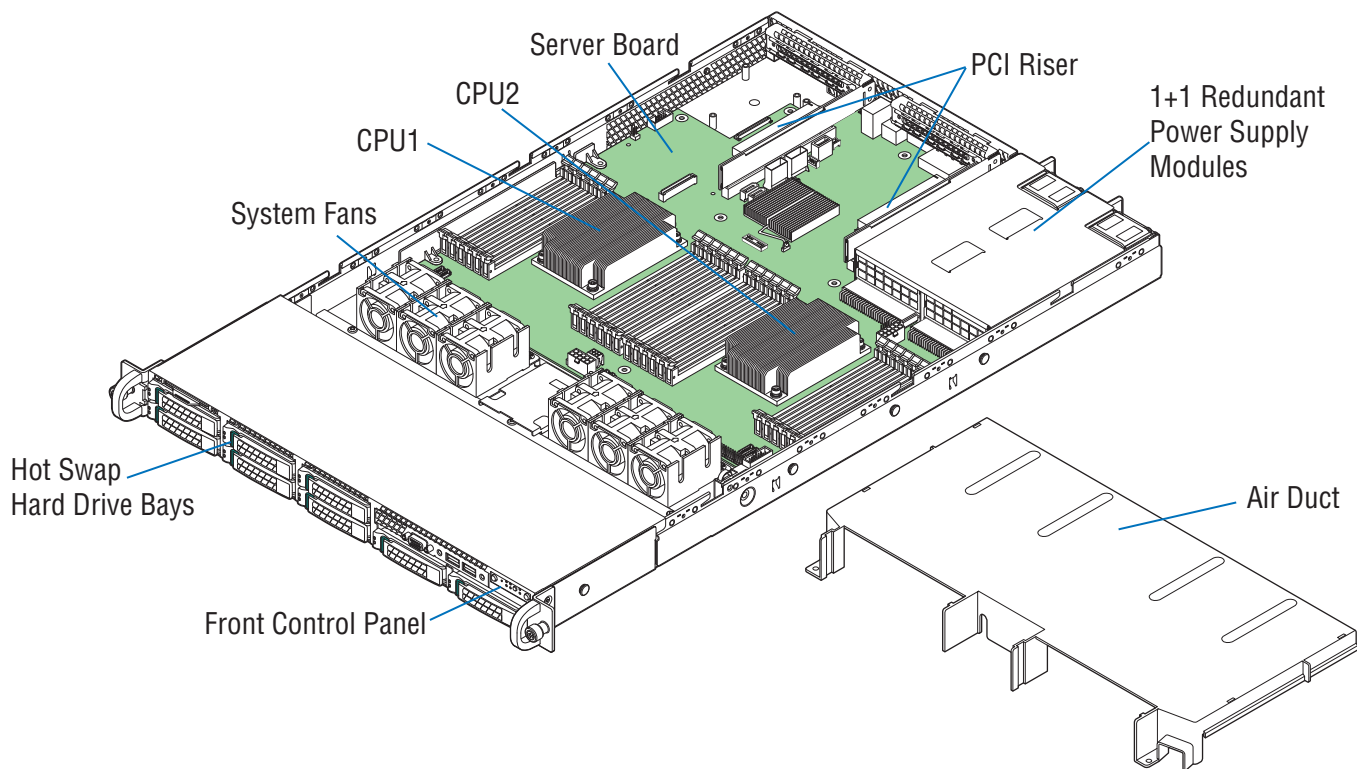
- **System Configuration:** 8x 2.5" hard drive bay configuration + 24 DIMM server board
DIMM blanks installed on memory slot 3 for all memory channels.

- All hard drive bays must be populated. Hard drive carriers either can be populated with a hard drive or supplied drive blank.
- The air duct must be installed at all times.
- In single power supply configurations, the second power supply bay must have the supplied filler blank installed at all times.
- The system top-cover must be installed at all times. The only exception to this requirement is to hot replace a failed system fan, in which case the top cover can be removed for no more than three minutes at a time.

System Overview

Intel® Server System R1000GZ/GL Product Family

System Features and Components



Useful Information:

- Riser Slot 2 is not functional without having two processors installed.
- The SCU1 (4-7) port requires an Intel® RAID C600 Upgrade Key installed to be functional.

General Installation Process

The installation instructions in this section are for common components of Intel® Server System R1000GZ/GL Product Family.

Minimum Hardware Requirements

To avoid integration difficulties and possible board damage, your system must meet the following minimum requirements:

- **Processor:**
Intel® Xeon® processor E5-2600 product family.
- **Memory Type:**
Minimum of one 512MB DDR3 1066/1333 MHz UDIMM or one 1GB DDR3 800/1066/1333/1600 MHz RDIMM.
- **Hard Disk Drives:** SATA

For a complete list of compatible processors, heatsinks, and memory, see <http://www.intel.com/support>.

1 Preparing the System

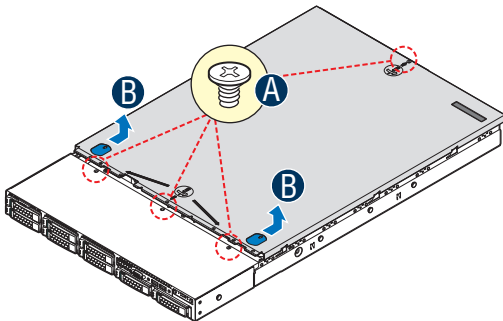
Observe normal ESD (Electrostatic Discharge) procedures.



Place your Intel® Server System on a flat anti-static surface to perform the following integration procedures. Observe ESD procedures before reaching inside to make server board connections or install components.

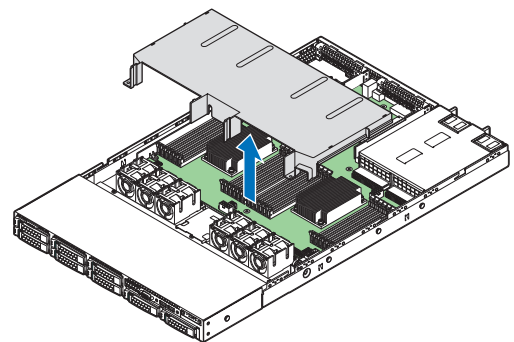
2 Remove the Top Cover

- Remove the four screws.
- Slide cover back and lift upward.



3 Remove the Air Duct

Remove the air duct by lifting straight up.



IMPORTANT!

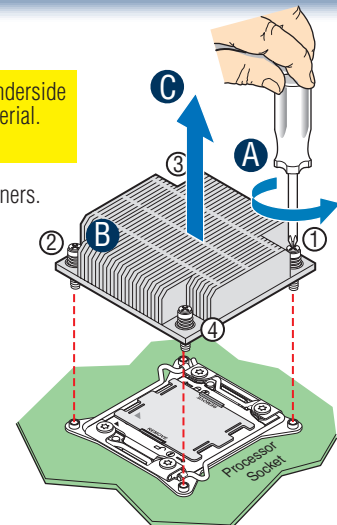
Before proceeding further, check your Intel® Server System for disconnected or loose cables and components that may have occurred during shipping.

4 Remove Processor Heatsink(s)

CAUTION: The heatsink has thermal interface material (TIM) on the underside of it. Use caution so that you do not damage the thermal interface material. Use gloves to avoid sharp edges.

The heatsink is attached to the server board/processor socket with captive fasteners. Using a #2 Phillips* screwdriver, loosen the four screws located on the heatsink corners in a diagonal manner using the following procedure:

- Using a #2 Phillips* screwdriver, start with screw 1 and loosen it by giving it two rotations and stop. (IMPORTANT: Do not fully loosen.)
- Proceed to screw 2 and loosen it by giving it two rotations and stop. Similarly, loosen screws 3 and 4.
Repeat steps A and B by giving each screw two rotations each time until all screws are loosened.
- Lift the heatsink straight up.

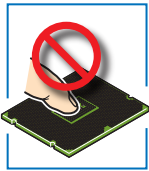
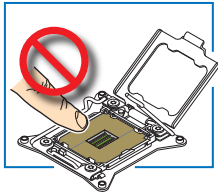


General Installation Process

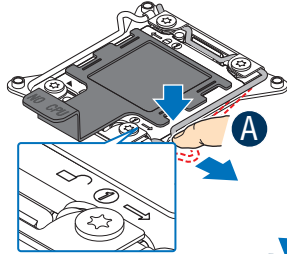
5

Install the Processor(s)

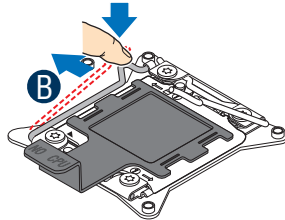
A. Open the Socket Lever



- A** Push down the lever and slide away from the socket to release it.
- B** Repeat step A to release the lever on the other side.

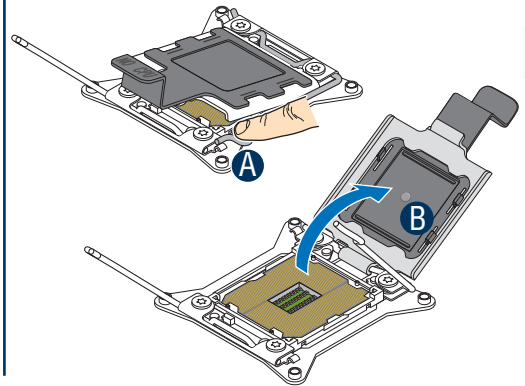


NOTE: Release the levers in the order as shown.



B. Open the Load Plate

- A** Press the locking lever slightly to raise the load plate.
- B** Open the load plate all the way.



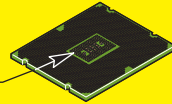
Install the Processor(s) ... continued

C. Install the Processor



CAUTION: The underside of the processor has components that may damage the socket pins if installed improperly. Processor must align correctly with the socket opening before installation. **DO NOT DROP** processor into socket!

Components



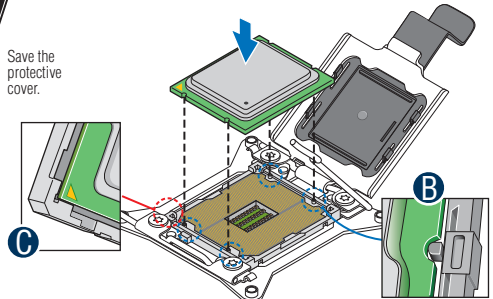
- A** Take the processor out of the box and remove the protective shipping cover.
- B** Orient the processor with the socket so that the processor cutouts match the four orientation posts on the socket.
- C** Note location of gold key at corner of processor.



CAUTION: When unpacking a processor, hold by the edges only to avoid touching the gold contact pins.



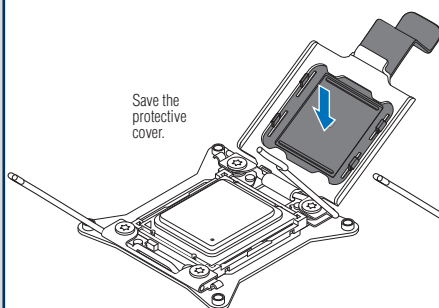
Save the protective cover.



Install the Processor(s) ... continued

D. Remove the Cover

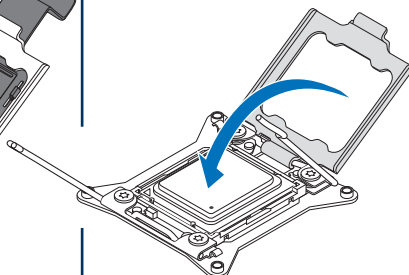
Press the cover to remove it.



Save the protective cover.

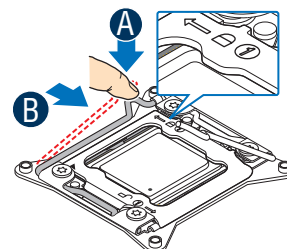
E. Close the Load Plate

Carefully lower the load plate over the processor.

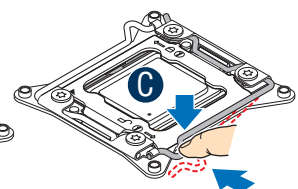


F. Latch the Locking Lever

- A** Push down the locking lever.
- B** Slide the tip of the lever under the notch in the load plate. *Make sure the load plate tab engages under the socket lever when fully closed.*
- C** Repeat the steps to latch the locking lever on the other side.



NOTE: Latch the levers in the order as shown.



General Installation Process

6

Install Processor Heatsink(s)

CAUTION: The heatsink has thermal interface material (TIM) on the underside of it. Use caution so that you do not damage the thermal interface material. Use gloves to avoid sharp edges.

CAUTION: Do not over-tighten fasteners.

A Remove the protective film on the TIM if present.

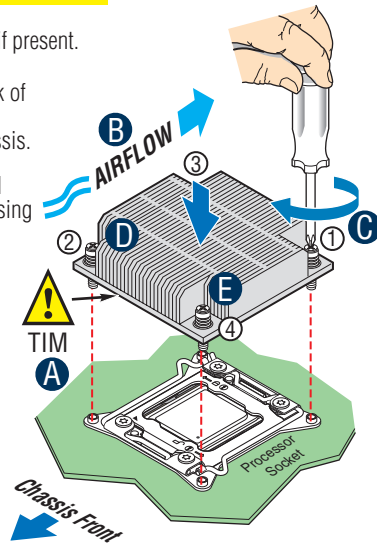
B Align heatsink fins to the front and back of the chassis for correct airflow. Airflow goes from front-to-back of chassis.

Each heatsink has four captive fasteners and should be tightened in a diagonal manner using the following procedure:

C Using a #2 Phillips* screwdriver, start with screw 1 and engage screw threads by giving it two rotations and stop. (Do not fully tighten.)

D Proceed to screw 2 and engage screw threads by giving it two rotations and stop. Similarly, engage screws 3 and 4.

E Repeat steps C and D by giving each screw two rotations each time until each screw is lightly tightened up to a maximum of 8 inch-lbs torque.



NOTE: Heatsink styles may vary.

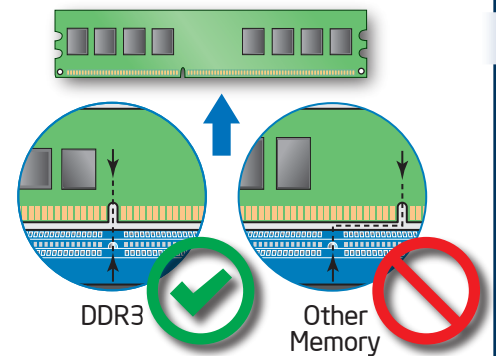
7

Install Memory Modules

DDR3 DIMM Memory Identification:

CAUTION: Observe normal ESD (ElectroStatic Discharge) procedures to avoid possible damage to system components.

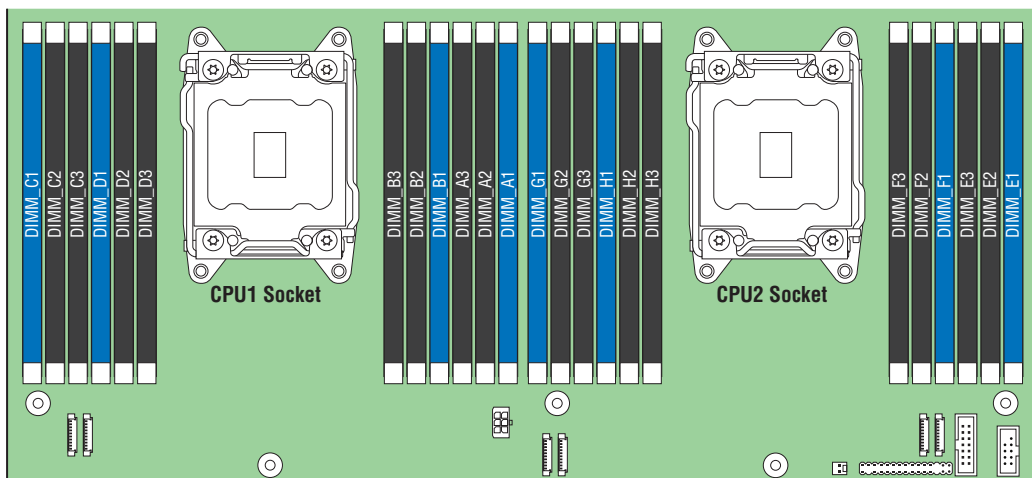
DIMM notch and socket bump must align as shown below.



Install Memory Modules ... Continued

Memory Configurations and Population Order:

Intel® Server Board S2600GZ



For best performance, a minimum of four DIMMs per CPU is recommended, populated in the blue slot of each memory channel.

In a single-processor configuration, always populate A1 DIMM first.

In a dual-processor configuration, always populate A1 DIMM first for CPU1 and E1 DIMM first for CPU2.

Note: For additional memory configurations, see the Service Guide on the Intel® Server Deployment & Management DVD that accompanied your Intel® Server System, or go to: <http://www.intel.com/support>.

Memory sizing and configuration is supported only for qualified DIMMs approved by Intel. For a list of supported memory, go to: <http://serverconfigurator.intel.com>.

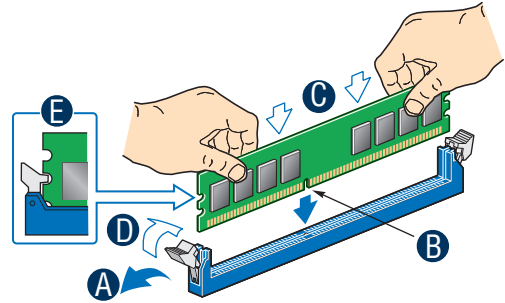
General Installation Process

Install Memory Modules ... Continued

To Install DIMMs:

- A** Open both DIMM socket levers.
- B** Note location of alignment notch.
- C** Insert DIMM making sure the connector edge of the DIMM aligns correctly with the slot.
- D** Push down firmly on the DIMM until it snaps into place and both levers close.
- E** IMPORTANT! Visually check that each latch is fully closed and correctly engaged with each DIMM edge slot.

CAUTION: Avoid touching contacts when handling or installing DIMMs.

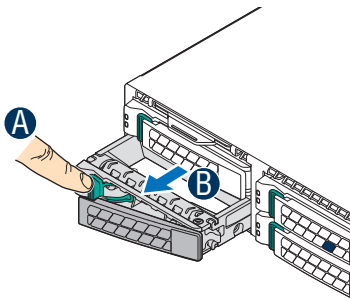


8

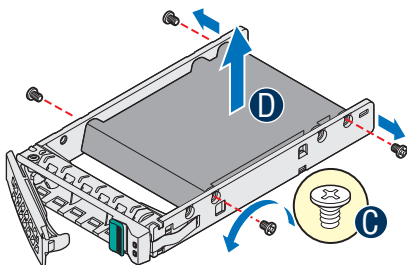
Install Hard Drives

2.5" Hard Drive Carrier (For system with 2.5" hard drive bay only)

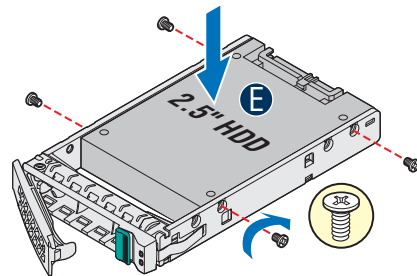
- A** Remove the drive carrier by pressing the **green** latch to unlock.
- B** Pull out the black lever and slide the carrier out.



- C** Remove the four screws from the 2.5" HDD carrier.
- D** Disengage and remove the plastic drive blank from the HDD carrier.

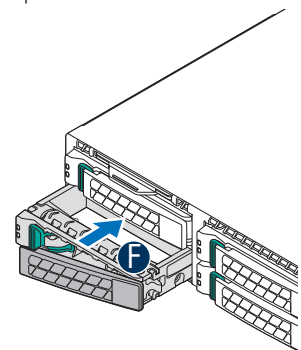


- E** Install the hard disk drive using the four screws as shown. Make sure the connector end of the drive matches the backplane connector.

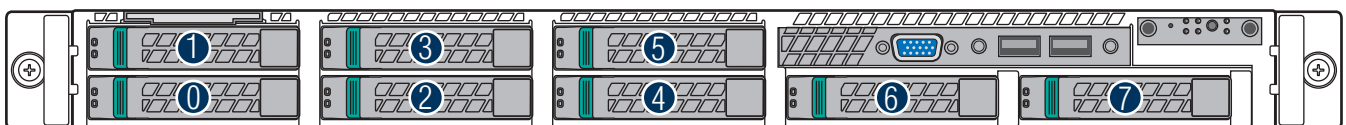


- F** With the lever open, insert the hard disk drive assembly into the chassis, then push in the lever to lock it into place.

CAUTION: If you don't install all drives, empty drive bays must be occupied by carriers with plastic drive blank provided to maintain proper system cooling.



Hard Drive Numbering Diagram



Drive 0 Primary

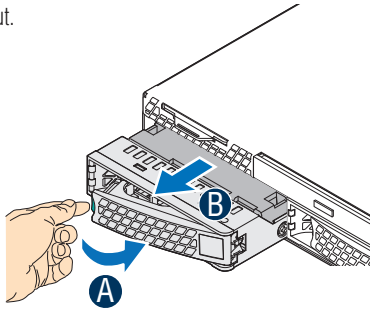
8 x 2.5" hard drive bay as shown

General Installation Process

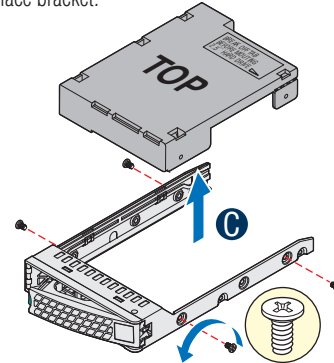
Install Hard Drives ... Continued

3.5" Hard Drive Carrier (For system with 3.5" hard drive bay only)

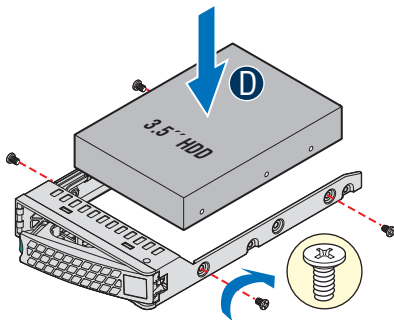
- A** Remove the drive carrier by pressing the **green** button and opening the lever.
- B** Slide the carrier out.



- C** Remove the four screws securing the HDD interface bracket and remove the HDD interface bracket.



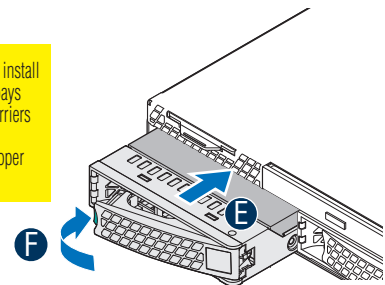
- D** Install the hard disk drive using the same four screws as shown. Make sure the connector end of the drive matches the backplane connector.



- E** With the lever open, insert the hard disk drive assembly into the chassis.
- F** Push in the lever to lock it into place.

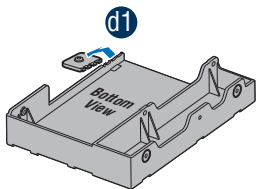


CAUTION: If you don't install all drives, empty drive bays must be occupied by carriers with plastic drive blank provided to maintain proper system cooling.

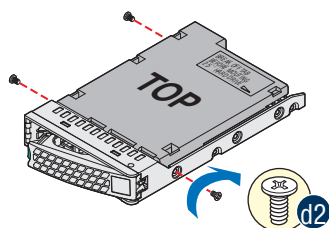


Install 2.5" Hard Drive as option:

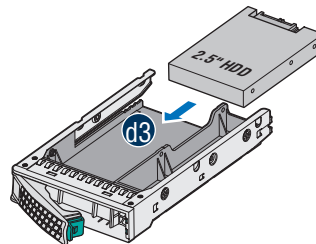
- d1** Break off the tab on the HDD interface bracket.



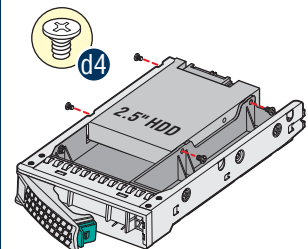
- d2** Install the HDD interface bracket from top. Secure the bracket with three screws as shown.



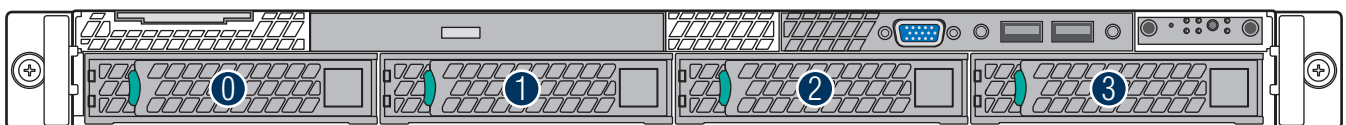
- d3** Slide the 2.5" HDD into the bracket to align the screw holes with the right and left rail.



- d4** Secure the hard disk drive using the four screws for 2.5" HDD.



Hard Drive Numbering Diagram



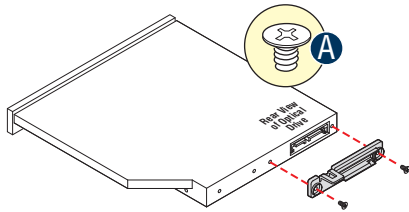
Drive 0 Primary

4 x 3.5" hard drive bay as shown

General Installation Process

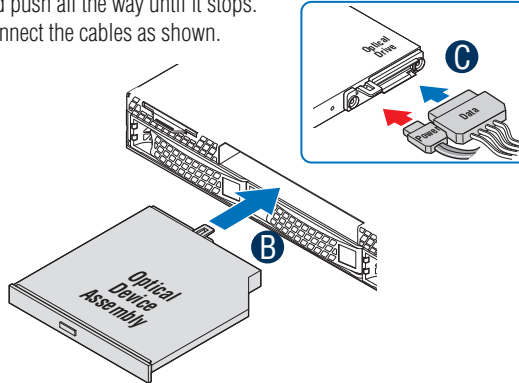
9 Install Optical Drive

A Install the plastic guide onto the back of the drive and attach with two screws as shown.

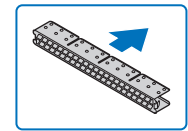


B Insert the optical drive into chassis opening and push all the way until it stops.

C Connect the cables as shown.

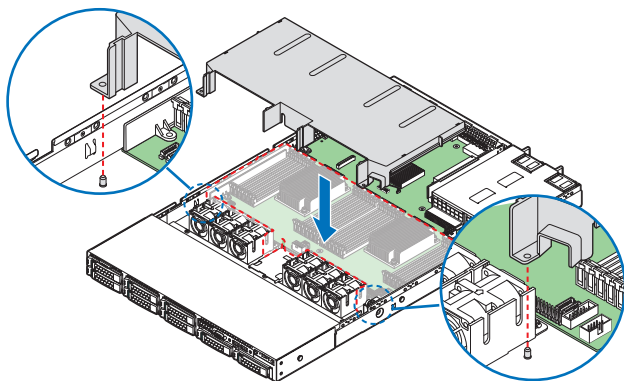


IMPORTANT NOTE: If you do not install a device at this location, install the optical device bay filler panel shown below. This is required to maintain proper system cooling.



10 Install the Air Duct

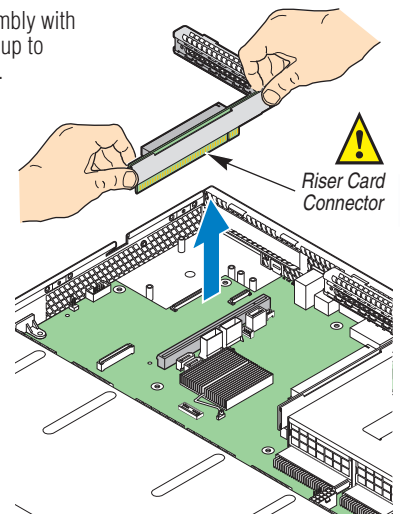
Align the two holes on the air duct with the alignment pins on the chassis and install the air duct into place. Use care to avoid pinching system cables.



11 Remove Add-in Card Riser Assembly

Grasp the riser assembly with both hands and pull up to remove from system.

CAUTION: Place the riser assembly upside down to avoid damage to the riser card connector.



12 Install Add-in Card(s)

▪ Full-height PCIe Card Shown

NOTE: Add-in card install sequence for low-profile add-in cards is the same.

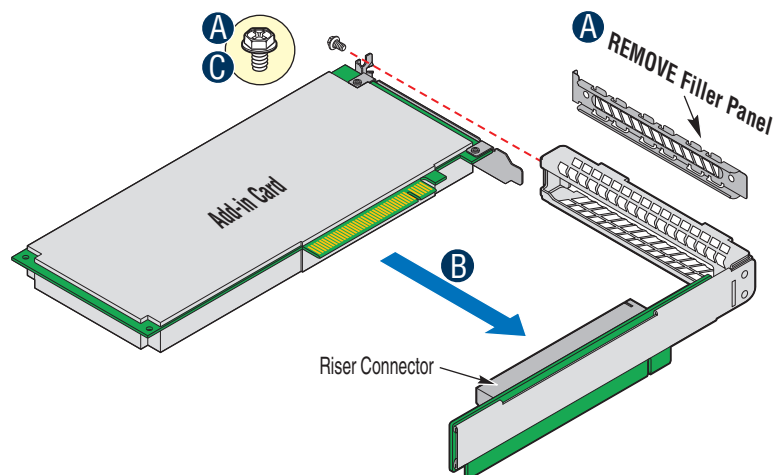
A Remove the filler panel from the add-in card slot and remove the screw as shown.

B Insert the add-in card until it sits in the riser connector.

C Secure the add-in card with the screw as shown.

NOTE: Make sure that all empty add-in card slots have filler panels installed.

CAUTION: Observe normal ESD precautions when installing add-in cards.



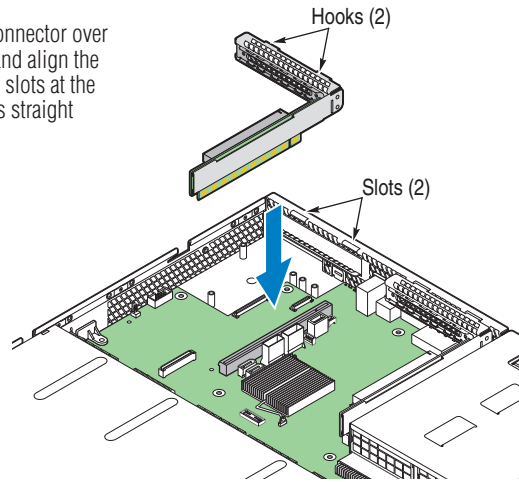
General Installation Process

13

Install Add-in Card Riser Assembly

Position the riser card edge connector over the server board riser socket and align the two hooks of the riser with the slots at the back of the chassis, then press straight down into riser socket.

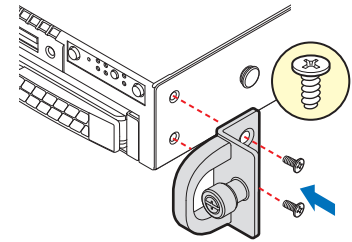
NOTE: Riser Slot 2 is not functional without having two processors installed.



14

Install Rack Handles

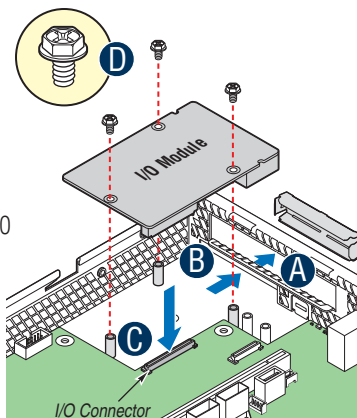
NOTE: Rack handles are required to install the bezel. For detailed instructions, see the product Service Guide available on the Intel® Server Deployment and Management DVD.



15

Install Intel® I/O Expansion Module (optional)

- A** Squeeze the sides of the I/O module bay filler plate, and pull it away from the chassis back panel.
- B** Fit the front of the module into the back panel slot and align the I/O Module over the three stand-offs.
- C** Carefully press down on the I/O module to engage connectors.
- D** Secure the module with the three screws as shown.

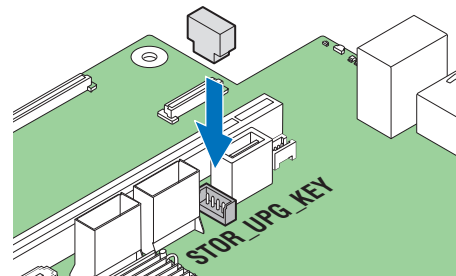


NOTE: If included, remember to install the EMI shield.

16

Install Intel® RAID C600 Upgrade Key (optional)

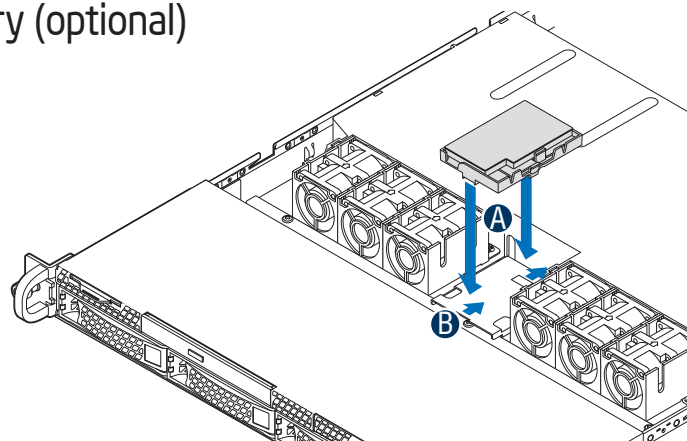
Locate the white 4-pin key header next to Riser Slot 1. Carefully pickup the Intel® RAID C600 Upgrade Key. Match the Key and connector orientation and press down to install.



17

Install Intel® RAID Smart Battery (optional)

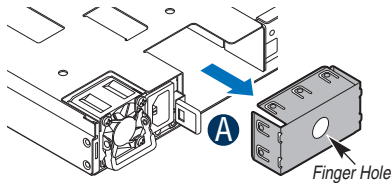
- A** Locate the BBU bracket inside the chassis. Align the tabs on the plastic battery holder with mounting holes on the BBU bracket.
- B** Slide the plastic battery holder toward the rear of the system until the tabs engage with the mounting holes in the BBU bracket.



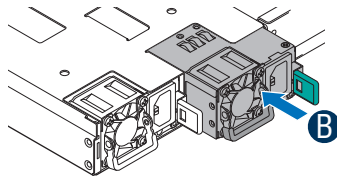
General Installation Process

18 Install Second Power Supply Module (optional)

A Use the 'finger hole' to remove the filler panel.

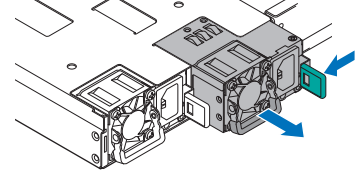


B Insert the power supply module into the power supply cage and push all the way until it clicks into place.



Power Supply Removal:

Pull out the module from the chassis by holding the handle while pressing the green latch in the direction shown.

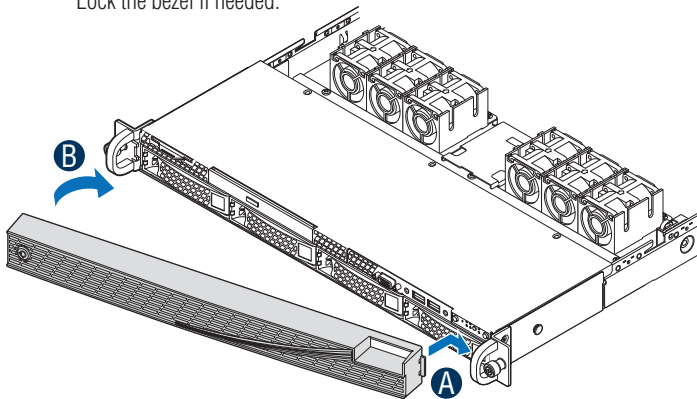


19 Install Bezel (optional)

NOTE: Install the rack handles before installing the bezel.

A Lock the right end of the front bezel to the rack handle.

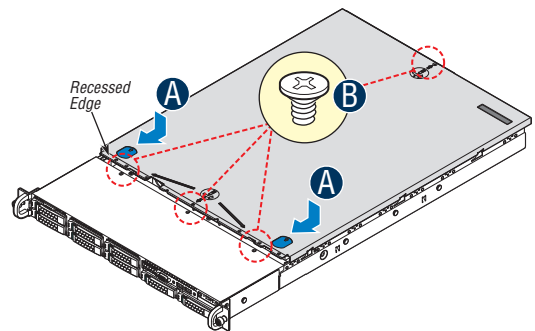
B Push-in the left side of the bezel until it clicks into place. Lock the bezel if needed.



20 Install the Top Cover

A Place the top cover on the system and slide towards the front of the chassis until the recessed front edge is fully engaged.

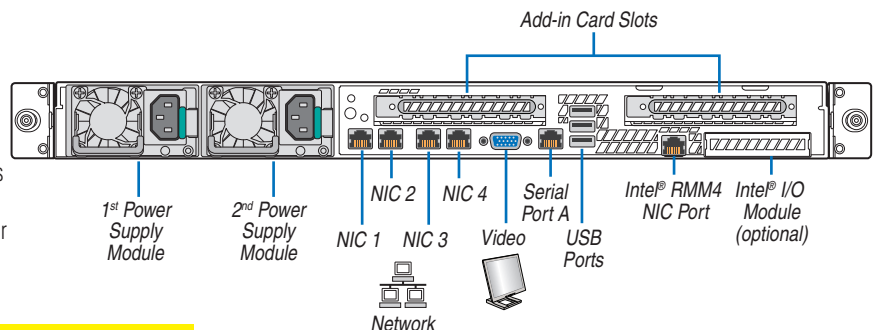
B Install the three screws at the front and torque to 7-9-in-lbs. Then install the screw at the back and torque to 7-9-in-lbs.



21 Finishing Up

Before installing your operating system, you must finish your system installation, make I/O connections, and plug in the power cord(s).

1. Verify the system top cover is installed.
2. Install the server into the rack using the instructions provided with the rack mounting kit.
3. Connect your USB keyboard/mouse, video and other I/O cables/devices as shown. Then connect the power cord(s).



CAUTION: This system must be operated with the TOP COVER installed to ensure proper cooling.

General Installation Process

22

Software • BIOS, Drivers, and Operating System Installation

A. Update the System Software:

Update the System BIOS, ME Firmware, BMC Firmware, and FRU & SDR data, using the latest versions posted for this product at <http://www.intel.com/support>.

NOTE: The FRUSDR utility must be run for full platform management functionality.

B. Configure your RAID Controller:

If using a RAID card, use the instructions provided with the RAID controller. If using on-board RAID, you must activate RAID in the BIOS setup. See the *Intel® Server System R1000GZ/GL Service Guide* for more information.

C. Install your Operating System:

Use the instructions provided with the RAID controller and with the operating system.

D. Install Operating System Drivers:

With the operating system running, insert the Intel® Server Deployment and Management DVD. If using a Microsoft Windows* operating system, the Express Installer will autorun and allow you to select the appropriate drivers to install. On other operating systems, browse the DVD folders to locate and install the driver files.

E. Install Intel® System Management Software (optional):

Download the latest version of the Intel® System Management Software from <http://www.intel.com/go/servermanagement> and use the instructions provided at that link to install the software.

** Other brands and names may be claimed as the property of others...*

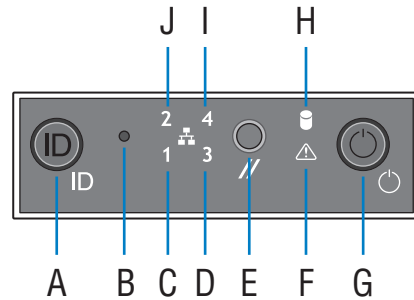
Reference

Front Panel Controls and Indicators

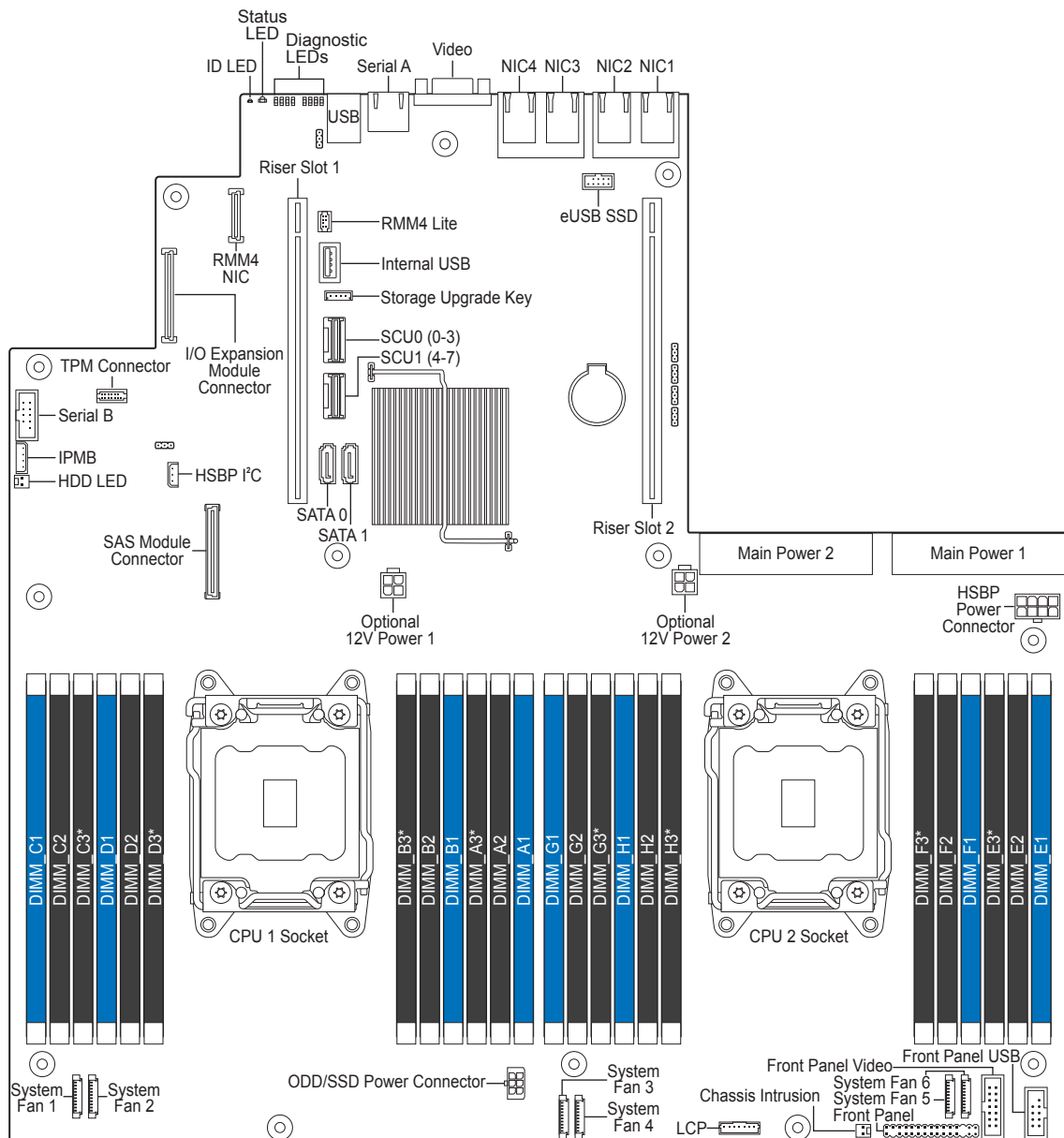
Your system may include one of two front control panel types. The features of each are as follows:

- | | |
|---|-------------------------------------|
| A. ID Button with integrated LED | F. System Status LED |
| B. NMI Button (Recessed, tool required) | G. Power Button with integrated LED |
| C. LAN-1 Activity LED | H. HDD Activity LED |
| D. LAN-3 Activity LED | I. LAN-4 Activity LED |
| E. System Cold Reset Button | J. LAN-2 Activity LED |

Standard Control Panel



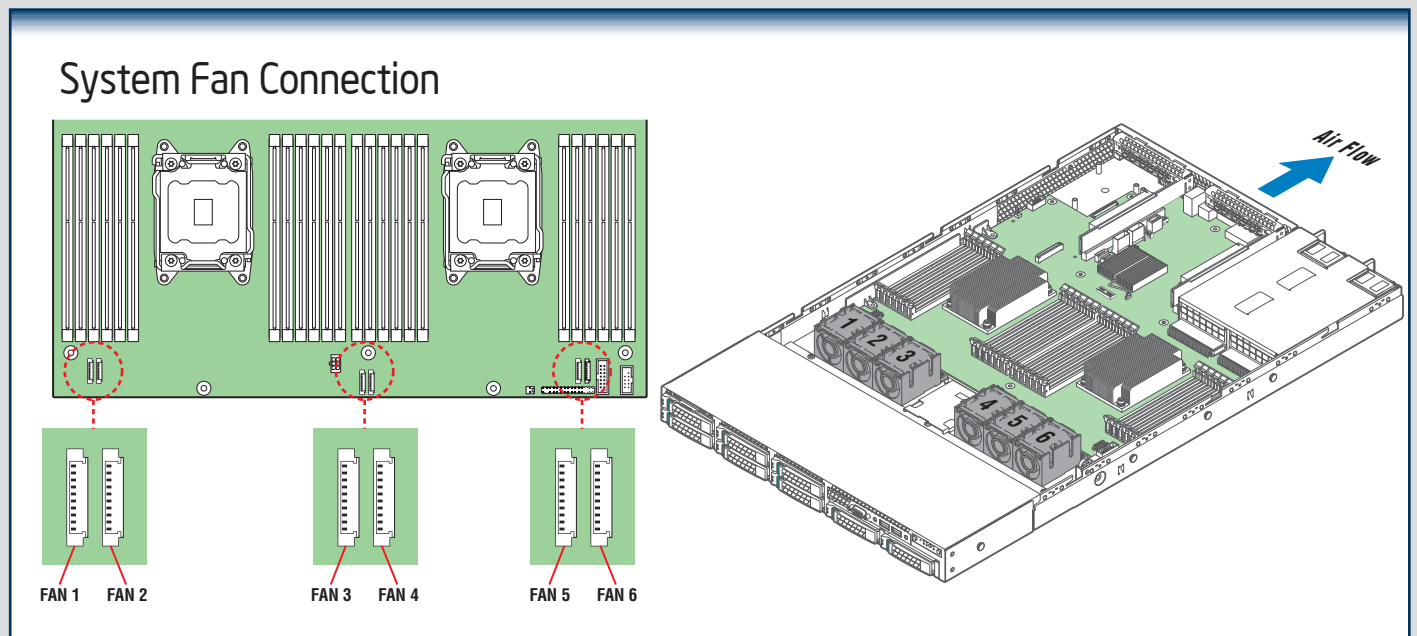
Intel® Server Board S2600GZ/GL Component Layout



* - For server systems integrated with Intel® Server Board S2600GZ only.

See your *Intel® Server System R1000GZ/GL Service Guide* for expanded component and connection information.

Reference

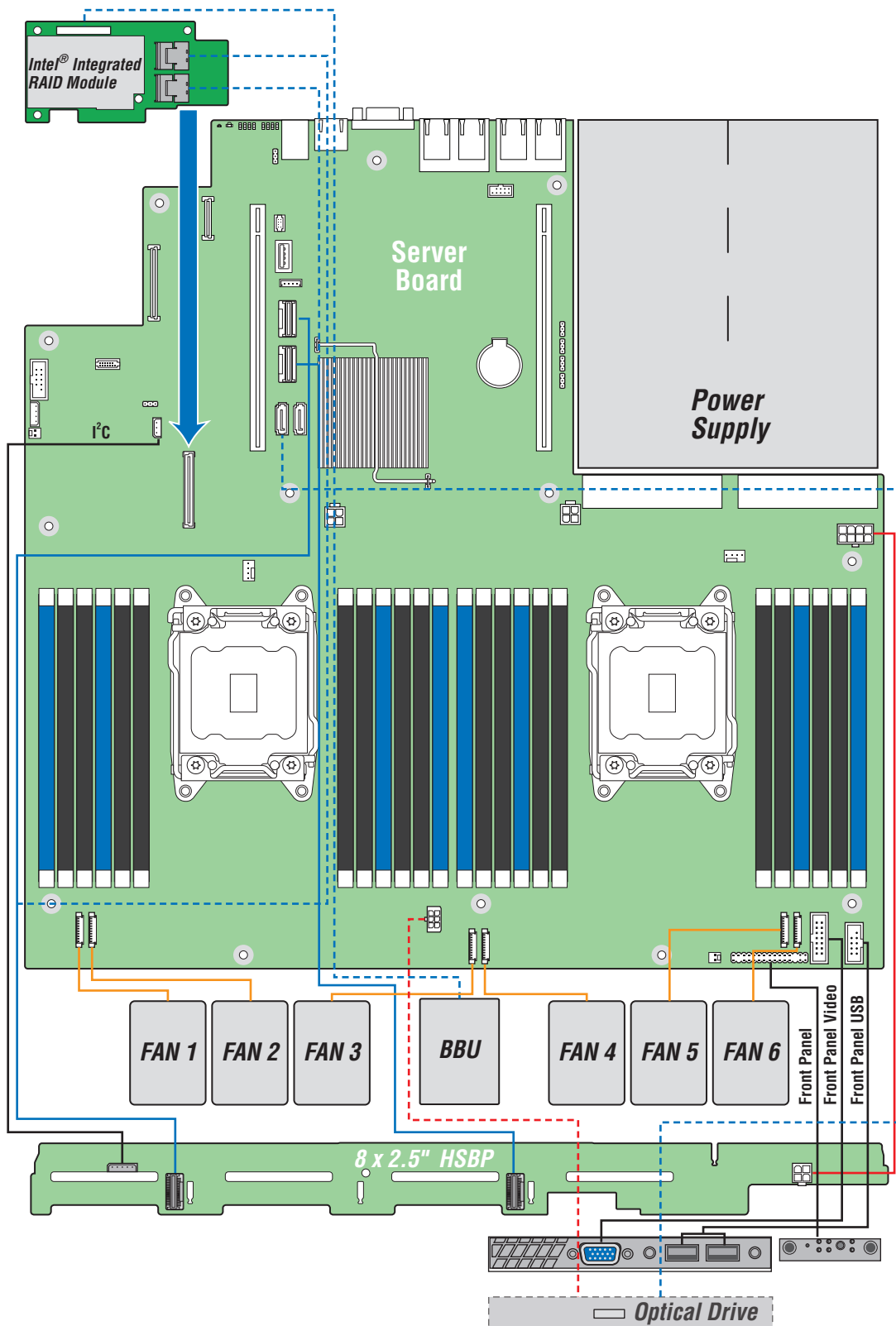


Please find a complete list of accessories and spares at <http://www.intel.com/support>.

Reference

System Cabling Diagram For system with 8 x 2.5" hard drive bay:

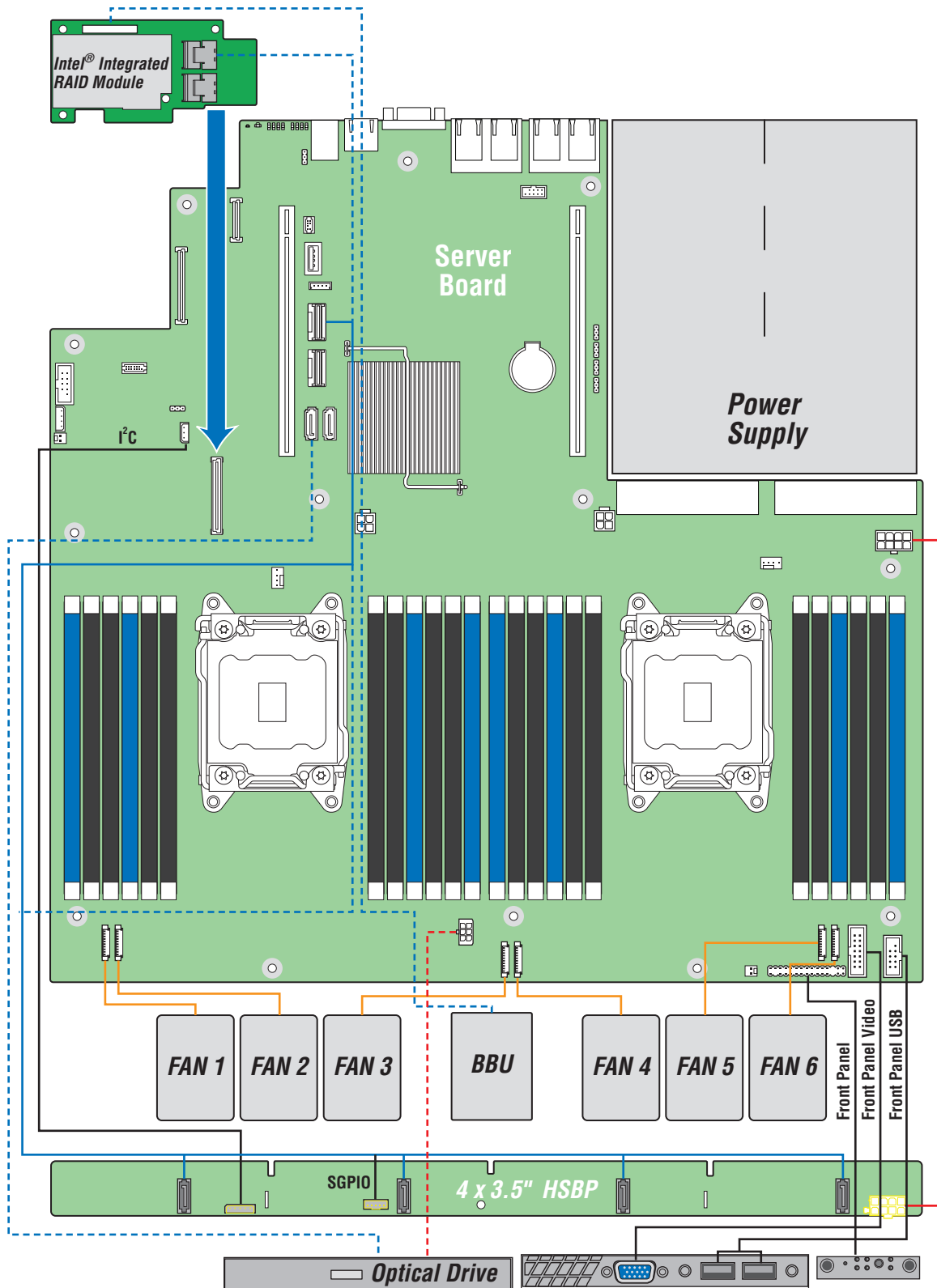
Note: To activate the port SCU1 (4-7) on the server board, a proper Intel® RAID C600 Upgrade Key must be installed. For instructions, see Intel® RAID C600 Upgrade Key Installation Guide.



Reference

System Cabling Diagram For system with 4 x 3.5" hard drive bay:

Note: To activate the port SCU1 (4-7) on the server board, a proper Intel® RAID C600 Upgrade Key must be installed. For instructions, see Intel® RAID C600 Upgrade Key Installation Guide.



(This page is intentionally left blank.)

G31060-004

