

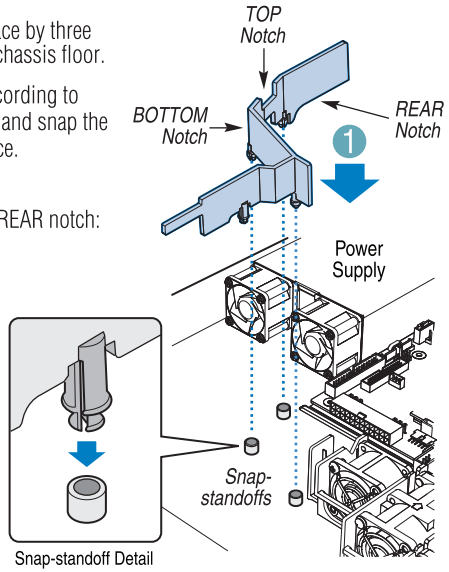
11 Install the Power Supply Air Baffle

The baffle is held in place by three snap-standoffs on the chassis floor.

- Route cabling according to the legend below and snap the air baffle into place.

Cabling Legend:

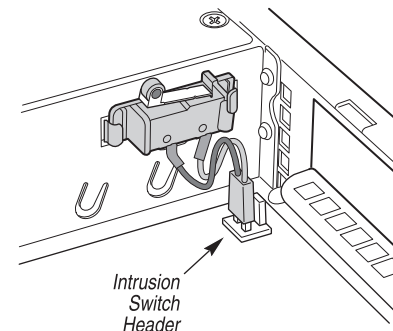
- Cable routing through REAR notch:
- Power Signal Cable
- Cables routing through BOTTOM notch:
- Main Power Cable
 - CPU Power Cable
- Cable routing through TOP notch:
- Front Panel USB
- Route front panel ribbon cable as shown at far right.



Note: Front tab of air baffle must fit under the drive bay cover prior to lowering into chassis standoffs to ensure a proper fit.

(Shown with Fixed Drive Kit option)

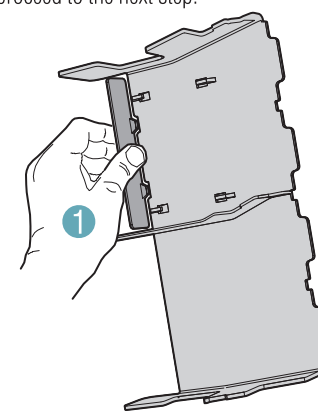
12 Attach Intrusion Switch Connector



The intrusion switch header is located at the rear corner of the server board, next to the power supply. Attach intrusion switch connector as shown.

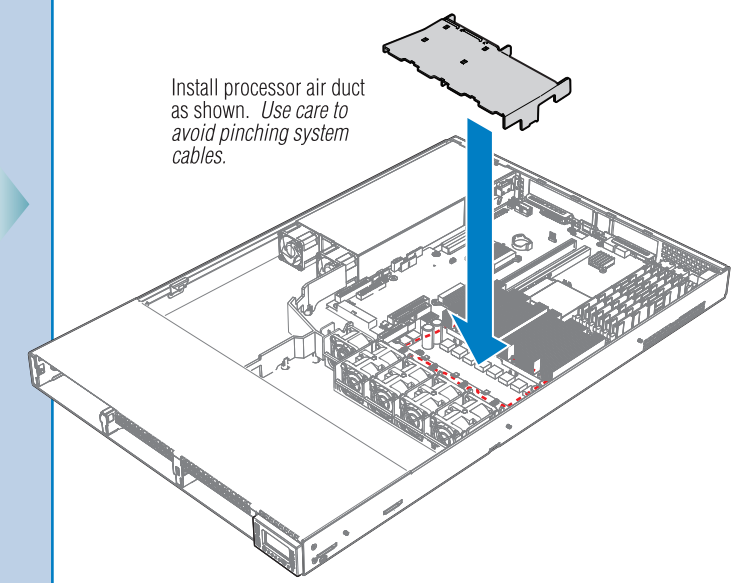
13 Preparing to Install Processor Air Duct Over Two Processors

- If installing two processors, the plastic tab on the processor air duct must be removed. If installing only one processor, disregard this step and proceed to the next step.

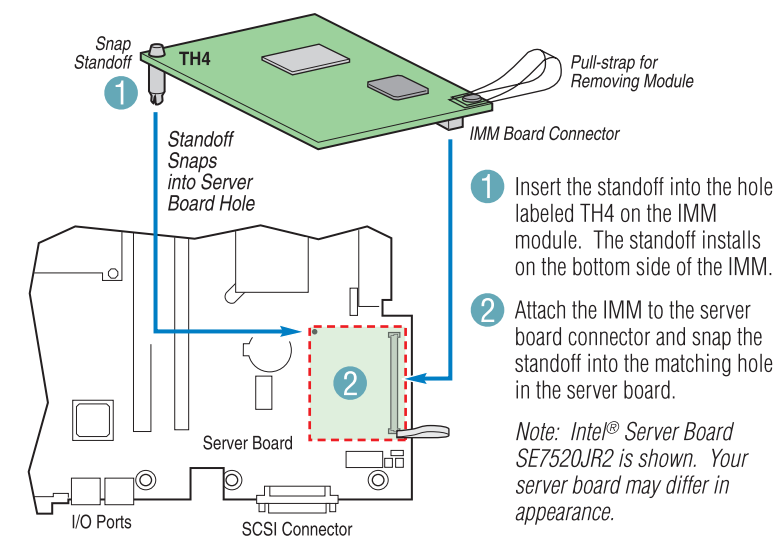


14 Install Processor Air Duct

Install processor air duct as shown. Use care to avoid pinching system cables.



15 Install Intel® Management Module (optional)



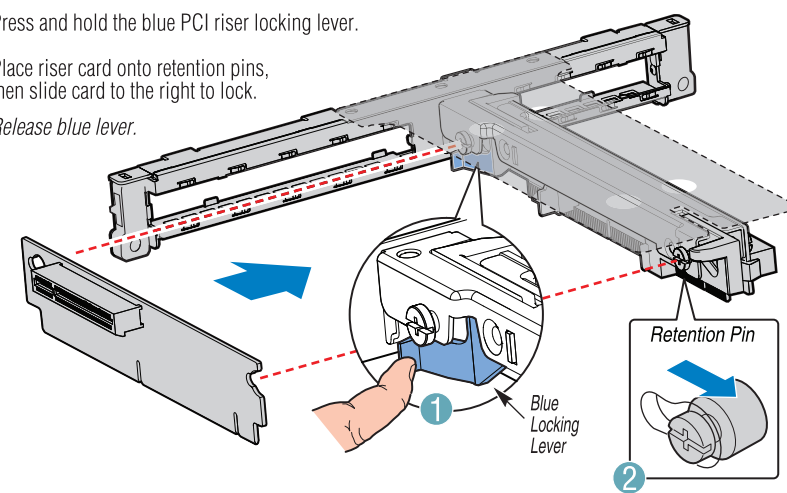
- Insert the standoff into the hole labeled TH4 on the IMM module. The standoff installs on the bottom side of the IMM.
- Attach the IMM to the server board connector and snap the standoff into the matching hole in the server board.

Note: Intel® Server Board SE752QR2 is shown. Your server board may differ in appearance.

16 Install Riser Card

Depending upon your system configuration, you must install the PCI riser card that matches your add-in card.

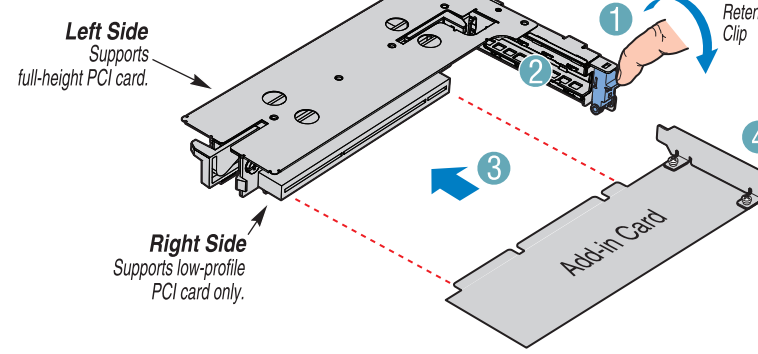
- Press and hold the blue PCI riser locking lever.
- Place riser card onto retention pins, then slide card to the right to lock.
- Release blue lever.



17 Install Add-in Card(s)

- Open retention clip.
- Remove filler panel.
- Insert add-in card until it seats in riser card connector.
- Make sure add-in card bracket inserts into slot.
- Close retention clip.

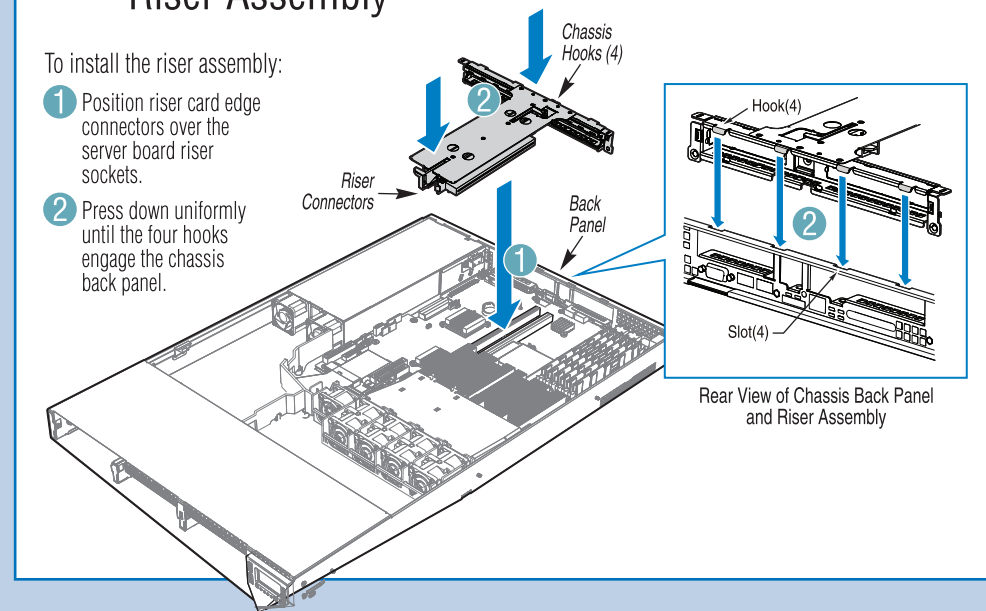
CAUTION: Observe normal ESD precautions when installing add-in cards.



18 Install Add-in Card Riser Assembly

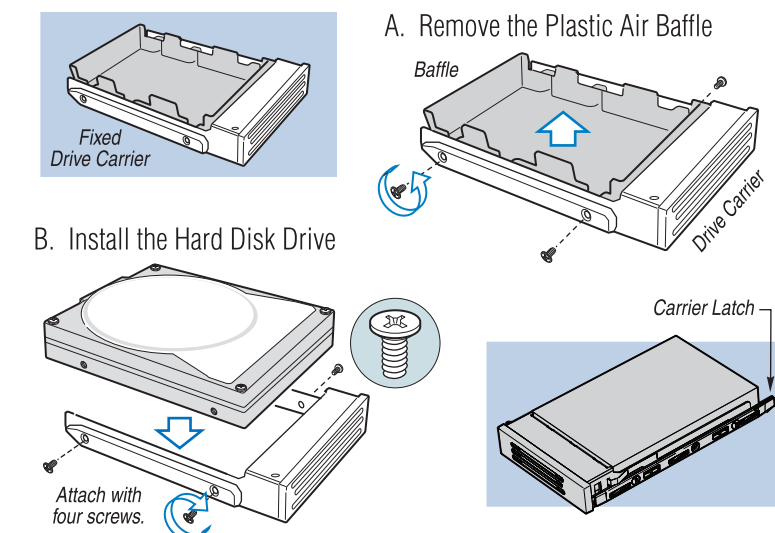
To install the riser assembly:

- Position riser card edge connectors over the server board riser sockets.
- Press down uniformly until the four hooks engage the chassis back panel.



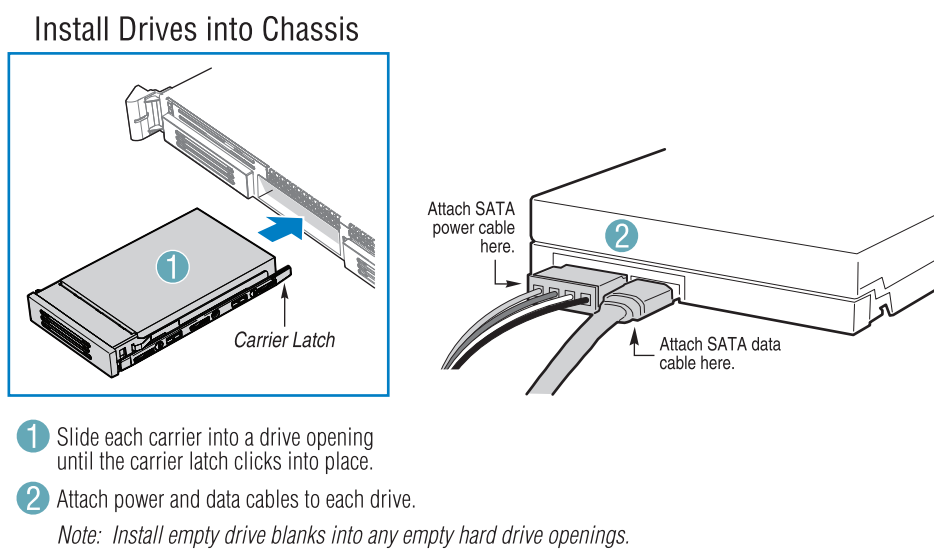
19 Install Fixed Hard Drives into Carriers

Skip this step if you have installed a backplane.



20 Install Fixed Hard Drive/Carrier Assemblies

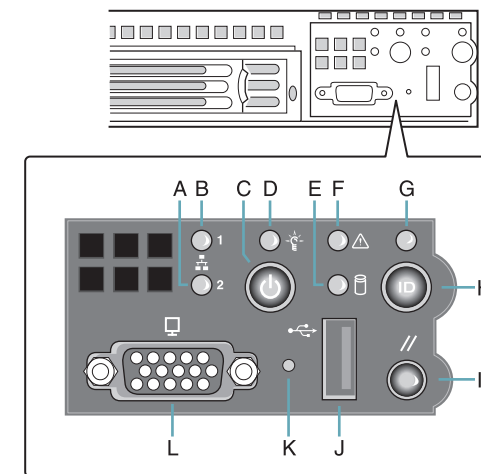
Skip this step if you have installed a backplane.



Reference

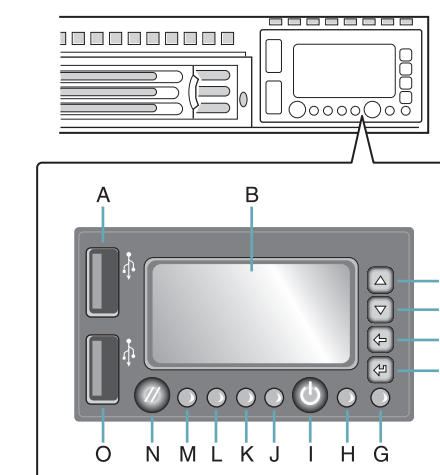
Standard Control Panel Controls and Indicators

- A. NIC2
- B. NIC1
- C. Power Button
- D. Power LED
- E. Hard Drive Activity LED
- F. Fault LED
- G. System ID LED
- H. System ID Button
- I. Reset Button
- J. USB
- K. NMI
- L. Video



Intel® Local Control Panel Controls and Indicators

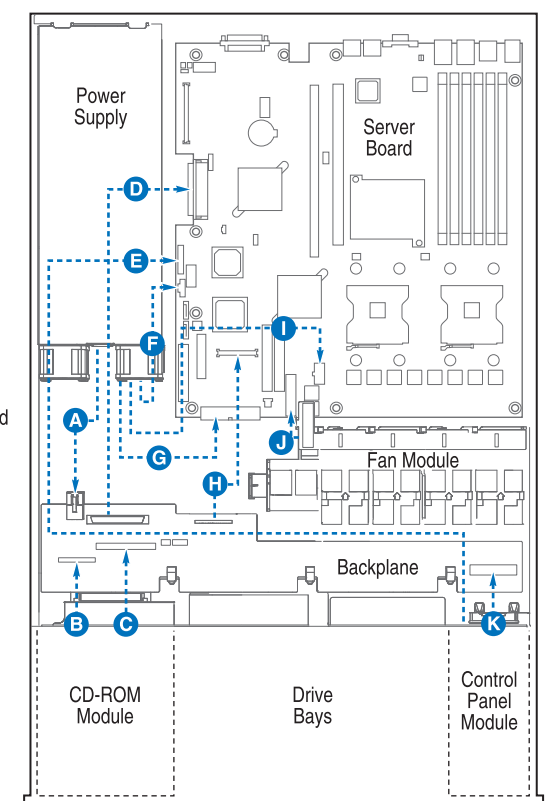
- A. USB 2.0 Port
- B. LCD Display
- C. Menu Control Button
- D. Menu Control Button
- E. Menu Control Button
- F. Menu Control Button
- G. ID LED
- H. Power LED
- I. Power Button
- J. System Status LED
- K. NIC 2 Activity LED
- L. NIC 1 Activity LED
- M. HDD Activity LED
- N. Reset Button
- O. USB 2.0 Port



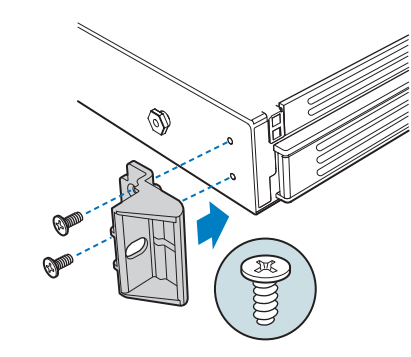
System Cable Connection Diagram

Shown with optional SCSI backplane installed.

- Connections:
- A Power Supply to Backplane...power
 - B Floppy to Backplane ... flat cable
 - C CD-ROM to Backplane ...ribbon cable
 - D Backplane to Server Board ...SCSI cable
 - E Control Panel to Server Board ...Front Panel USB
 - F Power Supply Signal to Server Board ...Power Supply Connector
 - G Power Supply to Server Board ...Main Power Connector
 - H Backplane to Server Board ...flex cable
 - I Power Supply to Server Board ...+12V CPU Power
 - J Fan Board to Server Board ...Fan Module Power
 - K Control Panel to Backplane

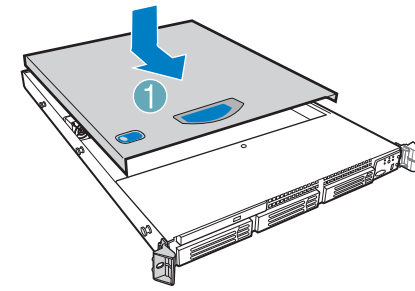


21 Install Rack Handles

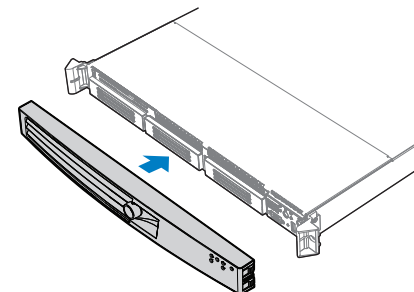


22 Install the Top Cover

- Place cover onto the chassis and slide forward until it latches.



23 Install Bezel



Optional Accessories and Order Codes

Bezel for Intel® Local Control Panel	ADWLCDBEZEL	500W Power Supply	FDW500WPS
Bezel for Standard Control Panel	ADWBEZBLACK	Tool-less Rail Kit	AXXHERAIL
Stimline Floppy Drive	AXXFLOPPY	Rack Brackets	AXXBRACKETS
Stimline CD-ROM Drive	AXXSCD	Cable Management Arm	AXXRACKARM
Stimline CD-ROM/DVD-ROM Drive	AXXDVDCDR	1U Metal Rack Handles	ADWMETALHND
Spare Single Fan	ADWFAN		

A complete list of accessories and spares can be found at www.intel.com/go/serverbuilder