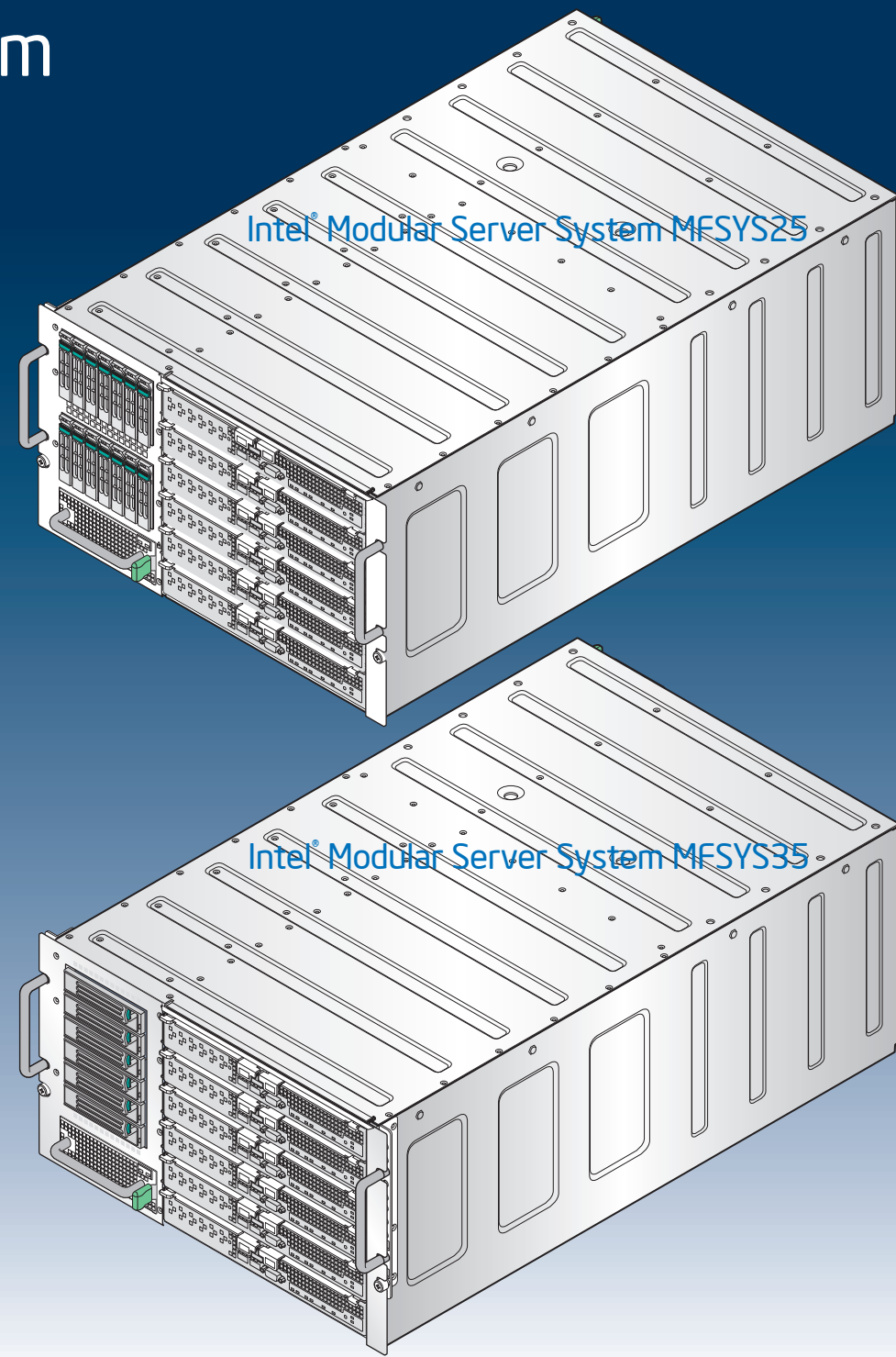


Intel® Modular Server System MFSYS25/MFSYS35 Quick Start User's Guide

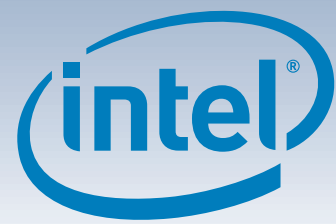


Thank you for buying an Intel® Modular Server System. The following information will help you assemble your Intel® Modular Server System MFSYS25/MFSYS35 and install components.

This guide and other supporting documents are located on the web at:
<http://support.intel.com/support/motherboards/server/MFSYS25>

If you are not familiar with ESD (Electrostatic Discharge) procedures used during system integration, please see the *Intel® Modular Server System MFSYS25/MFSYS35 User Guide*, available at:
<http://support.intel.com/support/motherboards/server/MFSYS25>

Read all cautions and warnings before starting your server system integration.



1 Unpackaging System

As packaged, the system weighs 100 lbs. Install temporary handles (see Step 2) before lifting system from shipping box.

Do not lift system from packaging by power supply or cooling module handles.

A minimum of three people are required to lift system as packaged.

Temporary handles will need to be removed if system is to be used in the pedestal or rackmount configurations.

2 Install Temporary Handles (Optional)

NOTE: Handles are provided as temporary devices to assist in removing system from packaging and for initial configuration.

DO NOT lift system by power supply or cooling module handles.

A Insert handle tabs into chassis slots.
B Tighten captive screws.

3 Install Pedestal Feet (Optional)

A Remove temporary handles if present.
B Lay chassis down horizontally.
C Remove pedestal feet from strip of sticky paper.
D Affix one foot to each of the six indent locations on the bottom side of the chassis.

4 Install System in Rack (Optional)

WARNING: Three people ARE REQUIRED to lift the empty system into the rack assembly. DO NOT lift system while fully loaded.

Rear handles MUST BE removed prior to setting system on rack rails. The profile of the handles interferes with rack rails.

Front handles MUST BE removed prior to sliding system all the way into rail assembly.

Warning

Read all caution and safety statements in this document before performing any of the instructions. Also see the *Intel® Server Board and Server Chassis Safety Information* document at: <http://support.intel.com/support/motherboards/server/sb/cs-010770.htm> for complete safety information.

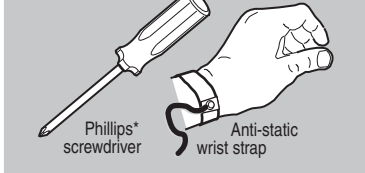
Warning

Installation and service of this product to be performed only by qualified service personnel to avoid risk of injury from electrical shock or energy hazard.

Caution

Observe normal ESD (Electrostatic Discharge) procedures during system integration to avoid possible damage to compute module and/or other components.

Tools Required



Package Contents

- Intel® Modular Server System MFSYS25/MFSYS35
- Intel® Gigabit Ethernet Switch AXSW1GB plus one filler blank
- Intel® Storage Controller plus one filler blank
- Intel® Management Module
- 2 power supply modules
- 2 power supply blanks
- 1 I/O cooling module
- 2 main cooling modules
- 5 compute module blanks
- 2.5-inch SAS shared hard drive bay (MFSYS25 only)
- 14 hard drive carriers (MFSYS25 only)
- 3.5-inch SAS/SATA shared hard drive (MFSYS35 only)
- 6 hard drive carriers (MFSYS35 only)
- Resource CD
- This document
- Attention Document
- 6 pedestal feet

4(a) Preparation

Prepare rail system for rack mounting. Refer to the *Rail Kit Install Guide* that is included with your rail kit for instructions on assembling the kit.

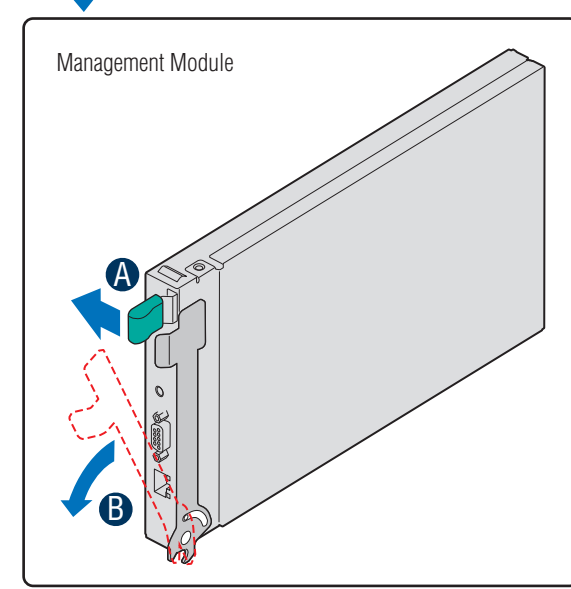
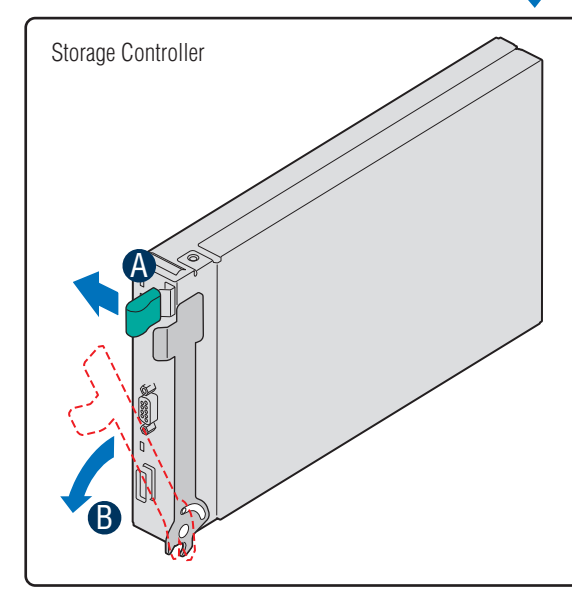
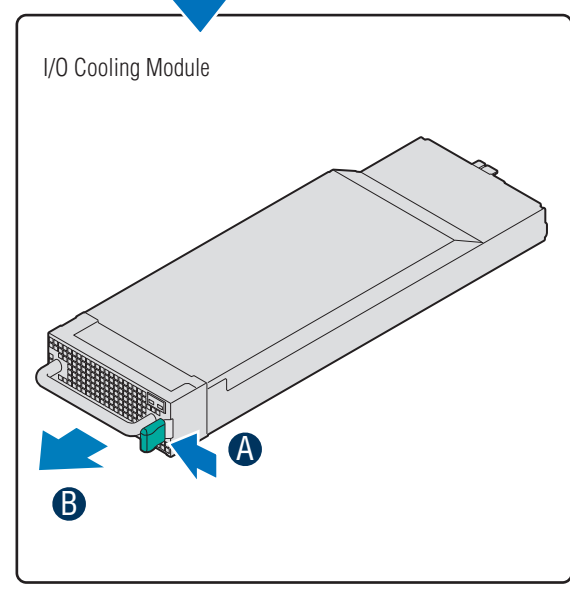
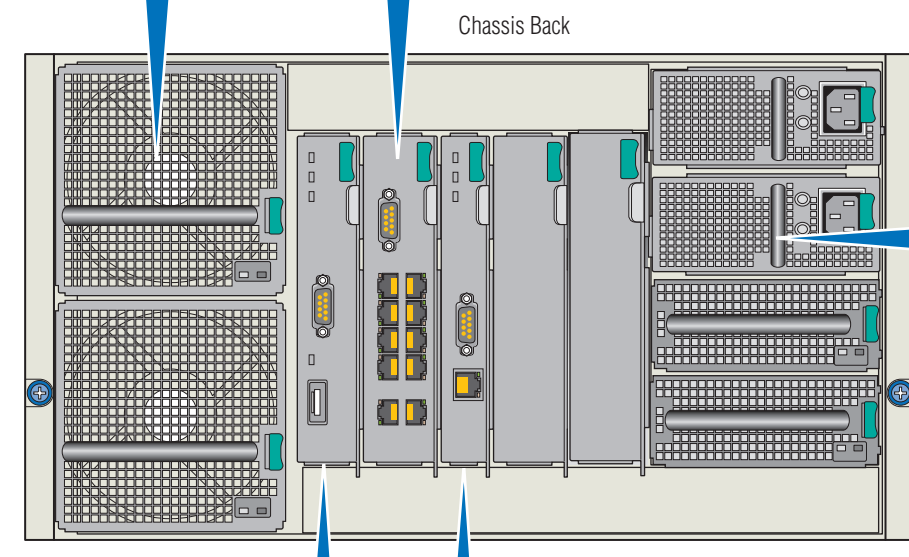
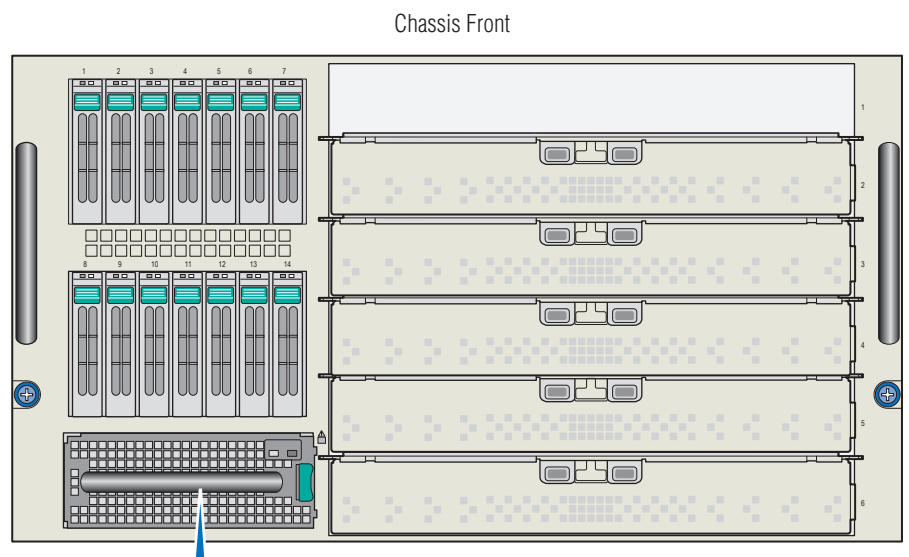
Remove all modules from the Intel® Modular Server System prior to lifting system into rack. This includes all cooling modules, all power supply modules, the management module, the Ethernet switch module, and the storage controller. Refer to adjacent illustrations for module location. See the *Intel® Modular Server System MFSYS25/MFSYS35 User Guide* for complete instructions on removing modules.

To remove a power supply or cooling module:

- A** Press retention latch to the left to release module from module bay.
- B** Slide module out of module bay.

To remove the management module, storage controller or Ethernet switch module:

- A** Press retention latch to the left to release module from module bay.
- B** Rotate retention lever out and away from module.
- C** Slide module out of module bay.



4(b) Finishing Up

THREE PEOPLE ARE REQUIRED TO LIFT THE SYSTEM. If handles are present, remove the rear handles prior to setting system onto slide rails.

Remove the front handles prior to sliding system all the way into rail assembly.

Secure system to rack per rail kit installation instructions.

Re-install all power supply modules, cooling modules, the storage controller, the management module and the Ethernet switch module. See the *Intel® Modular Server System MFSYS25/MFSYS35 User Guide* for complete instructions on installing modules.

To re-install a power supply or cooling module:

- Slide module into appropriate module bay until retention latch engages.

To re-install a management module, storage controller or Ethernet switch module:

- Ensure retention lever is released and rotated out and away from module.
- Slide module into appropriate module bay until bottom of retention lever engages with bay.
- Rotate retention lever in toward module until it latches.

Intel is a registered trademark of Intel Corporation or its subsidiaries in the United States and other countries. *Other names and brands may be claimed as the property of others. Copyright © 2010, Intel Corporation. All rights reserved.

