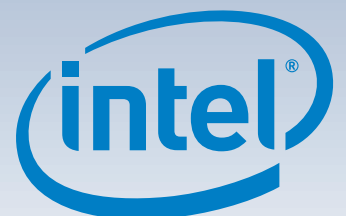


Intel® Server Chassis P4000M Family Quick Installation User's Guide

Thank you for buying an Intel® Server Chassis. The following information will help you assemble your Intel® Server Chassis and install components.

If you are not familiar with ESD [Electrostatic Discharge] procedures used during chassis integration, see the complete ESD procedures described in your *Service Guide*.

This guide and other supporting documents are located on the web at:
<http://www.intel.com/support>.



G30108-004

(This page is intentionally left blank.)

Table of Contents

Chassis Overview	1
General Installation Process	6
Remove the Side Cover	6
Remove the Bezel Assembly	6
Install Server Board	6
Install Hard Drive	6
Install Tool-less CD-ROM or DVD-ROM Drive	8
Install and Route Data and Power Cables	8
Complete Server Board Cabling Connections	9
Install PCI-e Card Assembly	9
Install Intel® Remote Management Module 4 NIC (optional)	10
Install RMM4 EMI Cover (optional)	10
Install Alternate Serial Port (optional)	10
Install Intel® RAID Smart Battery (optional)	11
Install Second Power Supply Module (optional)	11
Rack Mount Configuration (optional)	11
Remove Filler Panels	11
Reinstall Front Bezel Assembly	12
Install Feet (pedestal only)	12
Install Air Duct	12
Install Side Cover	12
Finishing Up	13
Install Software	13
Reference	14
HDD Cage Cable Connection	14
Front Panel Controls and Indicators	15
Hot Swap Hard Drive Bay Options and HDD Numbering	15

Warning



Read all caution and safety statements in this document before performing any of the instructions. Also see the *Intel® Server Board and Server Chassis Safety Information* document at: <http://www.intel.com/support/motherboards/server/sb/cs-010770.htm> for complete safety information.

Warning



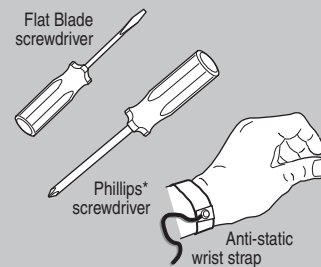
Installation and service of this product to be performed only by qualified service personnel to avoid risk of injury from electrical shock or energy hazard.

Caution



Observe normal ESD [Electrostatic Discharge] procedures during system integration to avoid possible damage to server board and/or other components.

Tools Required



Intel is a registered trademark of Intel Corporation or its subsidiaries in the United States and other countries. *Other names and brands may be claimed as the property of others. Copyright © 2011, Intel Corporation. All rights reserved.

Intel® Server Chassis P4000M Family Product Configuration

Intel® Server Chassis	System Fan			Hard Drive				Power Supply				
	Five Hot Swap System Fans (80 x 38 mm)	One Fixed PCI Zone Fan (120 x 38 mm)	One Fixed CPU Zone Fan (120 x 38 mm)	8 x 3.5" Fixed	8 x 3.5" Hot Swap	8 x 2.5" Hot Swap	16 x 2.5" Hot Swap	One Fixed 550W	One Hot Swap 750W	Two Hot Swap 750W	Two Hot Swap 460W	Two Hot Swap 1200W
P4308XXMFEN (NA)		■	■	■				■				
P4308XXMHEN (NA)		■	■		■			■				
P4308XXMFGN (NA)		■	■	■					■			
P4308XXMHGC (NA)	■				■					■		
P4308XXMHJC (NA)	■				■							■
P4208XXMHEN (NA)		■	■			■		■				
P4208XXMHDR (NA)		■	■			■					■	
P4208XXMHGR (NA)		■	■			■				■		
P4208XXMHGC (NA)	■					■				■		
P4216XXMHJC (NA)	■						■					■

■ = Configuration Feature

Supported Server Boards

Your Intel® Server Chassis P4000M family supports the following Intel® Server Boards:

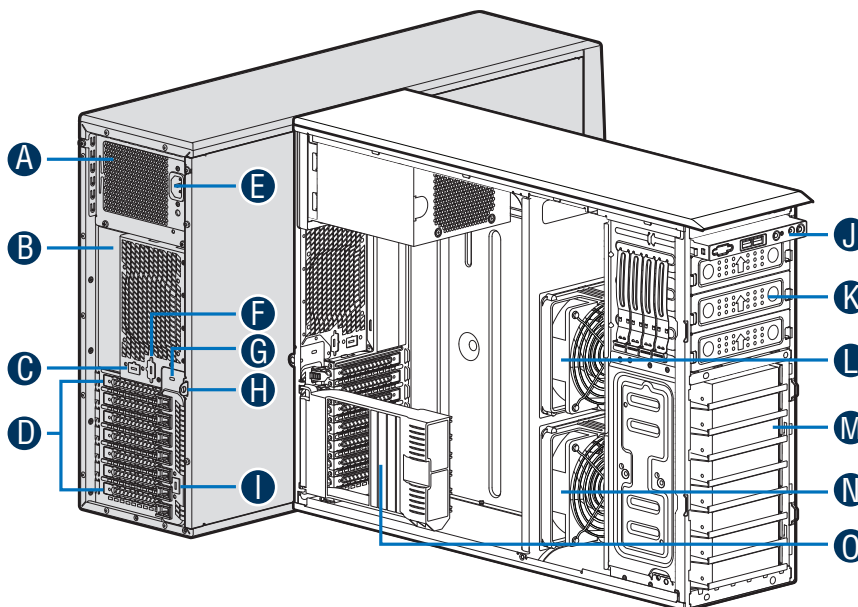
- Intel® Server Board S2600CP
- Intel® Server Board S2600CO
- Intel® Server Board S2400SC
- Intel® Server Board S2400GP

*Note: The Chassis does not have an air duct with it. To avoid damage to your system, make sure order the air duct for your server board. See your Intel® Server Board documentation for specific component integration requirements not addressed in this chassis **Quick Installation User's Guide**.*

Chassis Overview

Intel® Server Chassis P4308XXMFEN

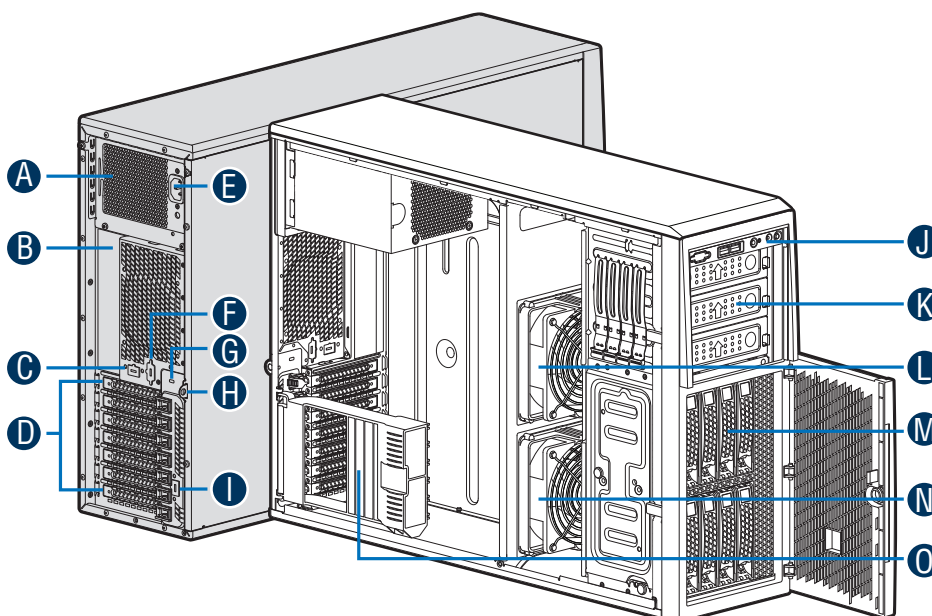
Chassis Features and Components



- A 550-W Fixed Power Supply
- B I/O Ports
- C Alternate RMM4 Knockout
- D PCI Add-in Board Slot Covers
- E AC Input Power Connector
- F Serial Port Knockout
- G A Kensington* Cable Lock Mounting Hole
- H Padlock Loop
- I Alternate RMM4 Knockout
- J Front Control Panel
- K 5.25" Peripheral Bays
- L CPU Zone System Fan
- M Fixed Hard Drive Carrier Tray
- N PCI Zone System Fan
- O PCI Card Retainer

Intel® Server Chassis P4308XXMHEN

Chassis Features and Components

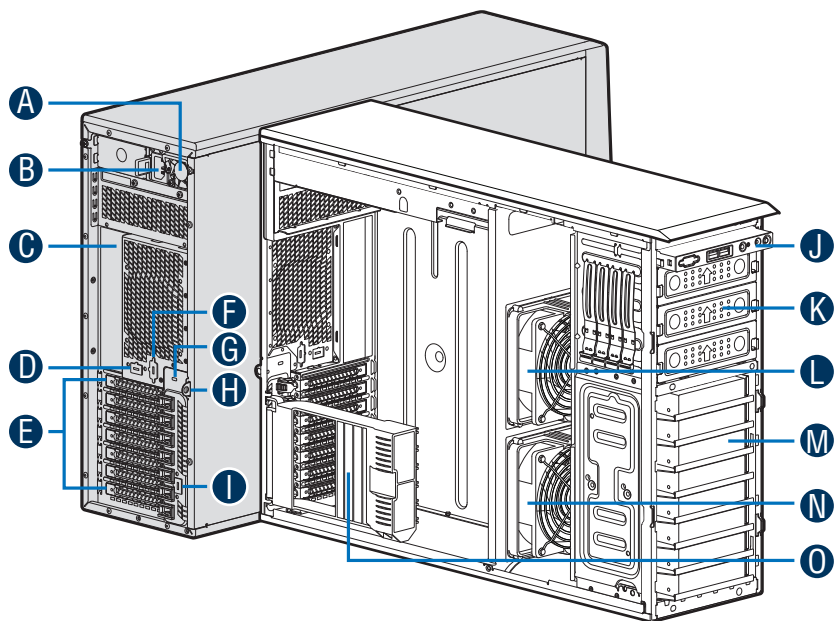


- A 550-W Fixed Power Supply
- B I/O Ports
- C Alternate RMM4 Knockout
- D PCI Add-in Board Slot Covers
- E AC Input Power Connector
- F Serial Port Knockout
- G A Kensington* Cable Lock Mounting Hole
- H Padlock Loop
- I Alternate RMM4 Knockout
- J Front Control Panel
- K 5.25" Peripheral Bays
- L CPU Zone System Fan
- M 8 x 3.5" Hot-swap HDD Cage
- N PCI Zone System Fan
- O PCI Card Retainer

Chassis Overview

Intel® Server Chassis P4308XXMFGN

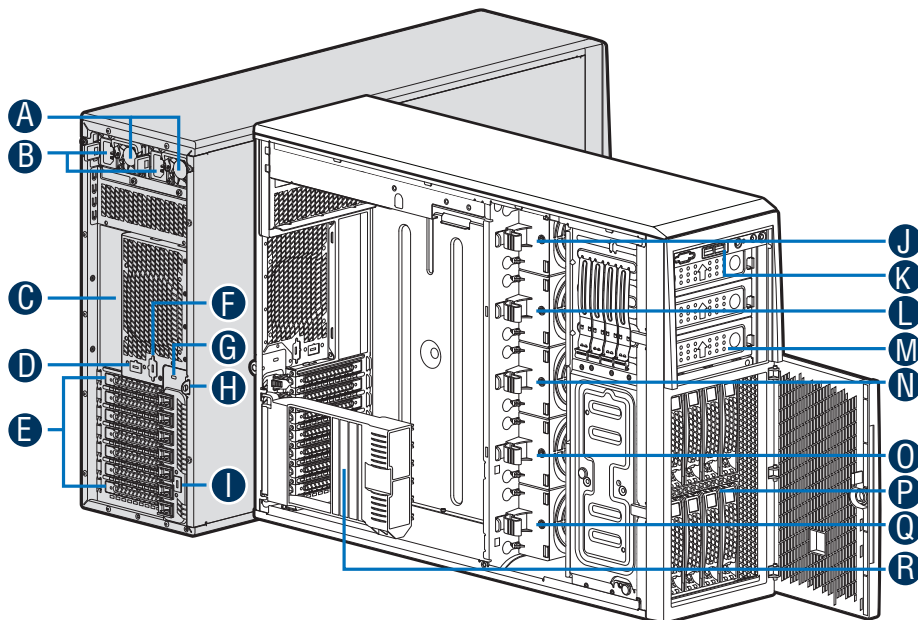
Chassis Features and Components



- A 750-W Hot Swap Power Supply
- B AC Input Power Connector
- C I/O Ports
- D Alternate RMM4 Knockout
- E PCI Add-in Board Slot Covers
- F Serial Port Knockout
- G A Kensington* Cable Lock Mounting Hole
- H Padlock Loop
- I Alternate RMM4 Knockout
- J Front Control Panel
- K 5.25" Peripheral Bays
- L CPU Zone System Fan
- M Fixed Hard Drive Carrier Tray
- N PCI Zone System Fan
- O PCI Card Retainer

Intel® Server Chassis P4308XXMHGC

Chassis Features and Components

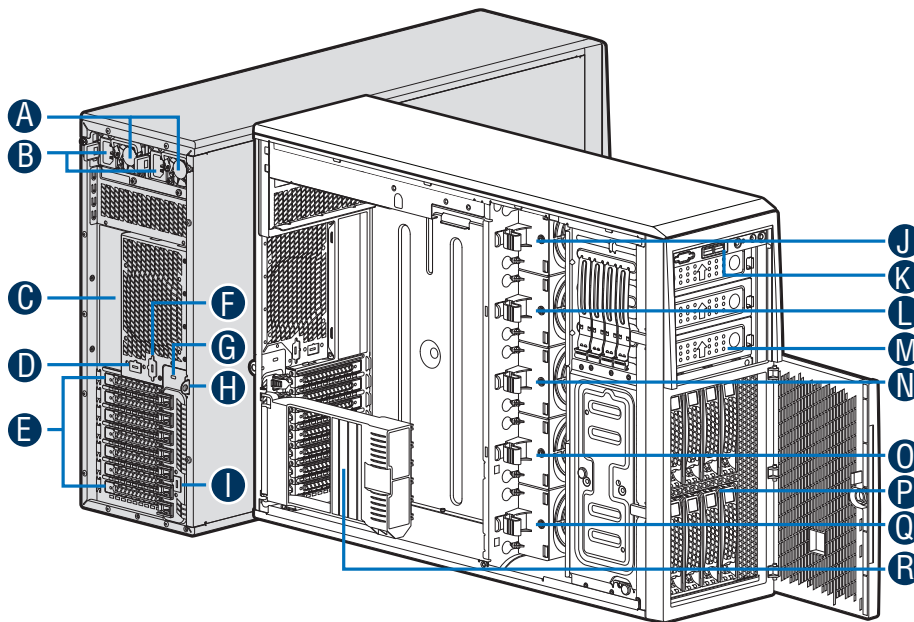


- A 750-W Hot Swap Power Supply (Two)
- B AC Input Power Connector (Two)
- C I/O Ports
- D Alternate RMM4 Knockout
- E PCI Add-in Board Slot Covers
- F Alternate Serial Port Knockout
- G A Kensington* Cable Lock Mounting Hole
- H Padlock Loop
- I Alternate RMM4 Knockout
- J Hot-swap System Fan 5
- K Front Control Panel
- L Hot-swap System Fan 4
- M 5.25" Peripheral Bays
- N Hot-swap System Fan 3
- O Hot-swap System Fan 2
- P 8 x 3.5" Hot-swap HDD Cage
- Q Hot-swap System Fan 1
- R PCI Card Retainer

Chassis Overview

Intel® Server Chassis P4308XXMHJC

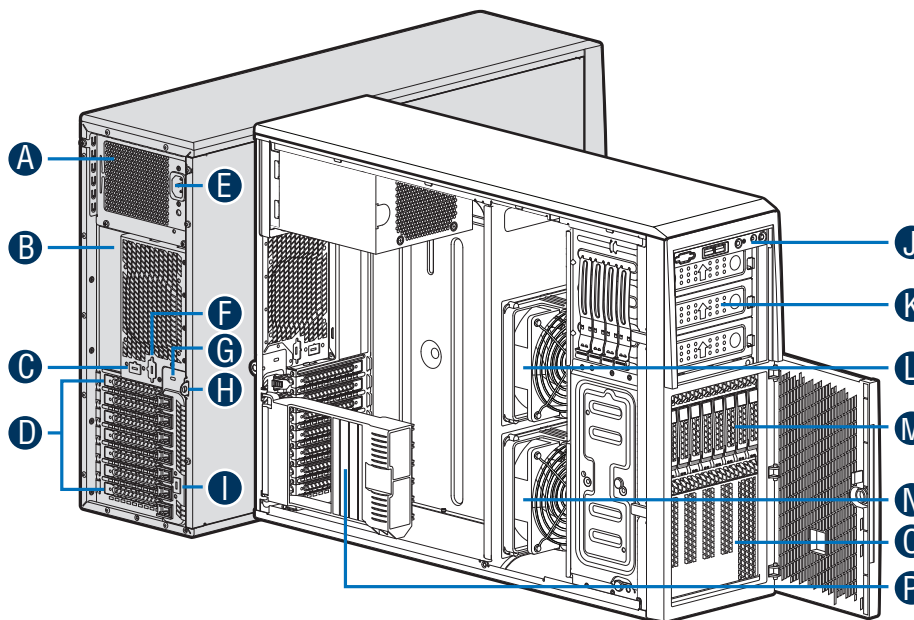
Chassis Features and Components



- A** 1200-W Hot Swap Power Supply (Two)
- B** AC Input Power Connector(Two)
- C** I/O Ports
- D** Alternate RMM4 Knockout
- E** PCI Add-in Board Slot Covers
- F** Alternate Serial Port Knockout
- G** A Kensington* Cable Lock Mounting Hole
- H** Padlock Loop
- I** Alternate RMM4 Knockout
- J** Hot-swap System Fan 5
- K** Front Control Panel
- L** Hot-swap System Fan 4
- M** 5.25" Peripheral Bays
- N** Hot-swap System Fan 3
- O** Hot-swap System Fan 2
- P** 8 x 3.5" Hot-swap HDD Cage
- Q** Hot-swap System Fan 1
- R** PCI Card Retainer

Intel® Server Chassis P4208XXMHEN

Chassis Features and Components

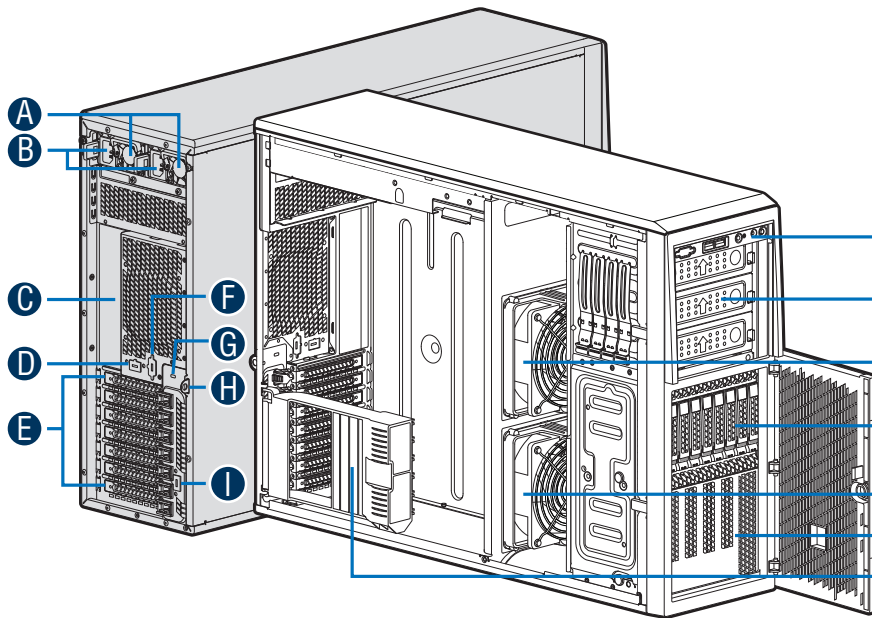


- A** 550-W Fixed Power Supply
- B** I/O Ports
- C** Alternate RMM4 Knockout
- D** PCI Add-in Board Slot Covers
- E** AC Input Power Connector
- F** Serial Port Knockout
- G** A Kensington* Cable Lock Mounting Hole
- H** Padlock Loop
- I** Alternate RMM4 Knockout
- J** Front Control Panel
- K** 5.25" Peripheral Bays
- L** CPU Zone System Fan
- M** 8 x 2.5" Hot-swap HDD Cage
- N** PCI Zone System Fan
- O** HS HDD EMI Cover
- P** PCI Card Retainer

Chassis Overview

Intel® Server Chassis P4208XXMHDR

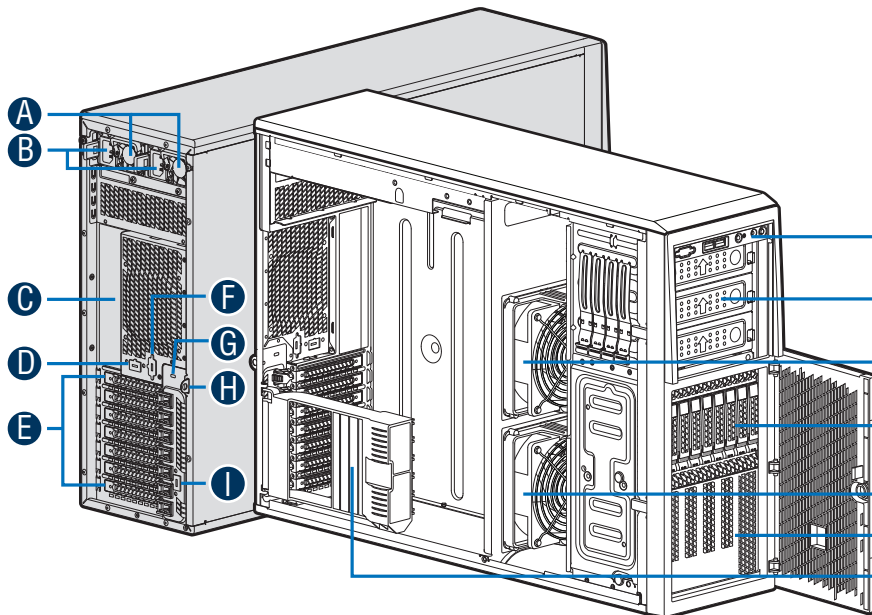
Chassis Features and Components



- A** 460-W Hot Swap Power Supply (Two)
- B** AC Input Power Connector (Two)
- C** I/O Ports
- D** Alternate RMM4 Knockout
- E** PCI Add-in Board Slot Covers
- F** Alternate Serial Port Knockout
- G** A Kensington* Cable Lock Mounting Hole
- H** Padlock Loop
- I** Alternate RMM4 Knockout
- J** Front Control Panel
- K** 5.25" Peripheral Bays
- L** CPU Zone System Fan
- M** 8 x 2.5" Hot-swap HDD Cage
- N** PCI Zone System Fan
- O** HS HDD EMI Cover
- P** PCI Card Retainer

Intel® Server Chassis P4208XXMHGR

Chassis Features and Components

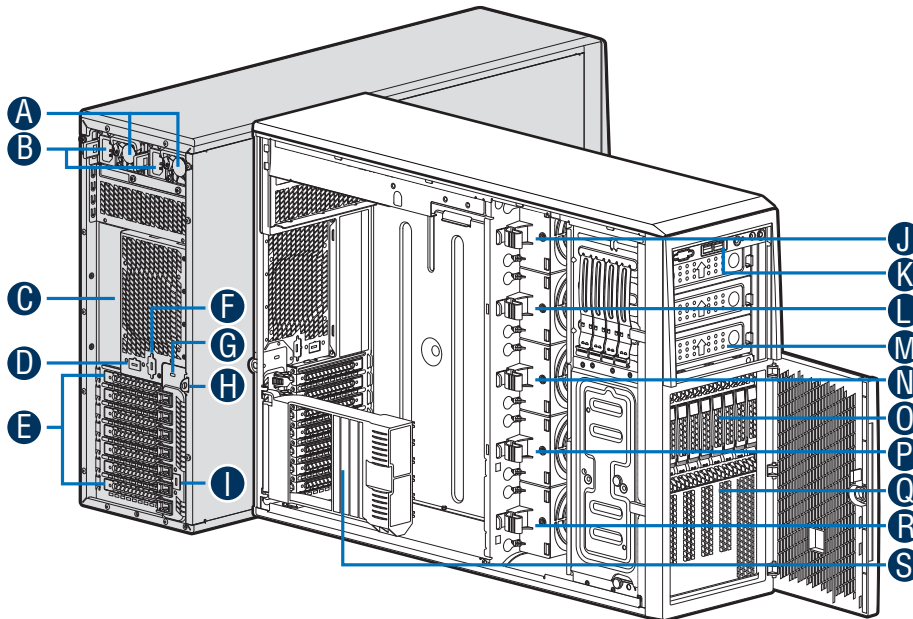


- A** 750-W Hot Swap Power Supply (Two)
- B** AC Input Power Connector (Two)
- C** I/O Ports
- D** Alternate RMM4 Knockout
- E** PCI Add-in Board Slot Covers
- F** Alternate Serial Port Knockout
- G** A Kensington* Cable Lock Mounting Hole
- H** Padlock Loop
- I** Alternate RMM4 Knockout
- J** Front Control Panel
- K** 5.25" Peripheral Bays
- L** CPU Zone System Fan
- M** 8 x 2.5" Hot-swap HDD Cage
- N** PCI Zone System Fan
- O** HS HDD EMI Cover
- P** PCI Card Retainer

Chassis Overview

Intel® Server Chassis P4208XXMHGC

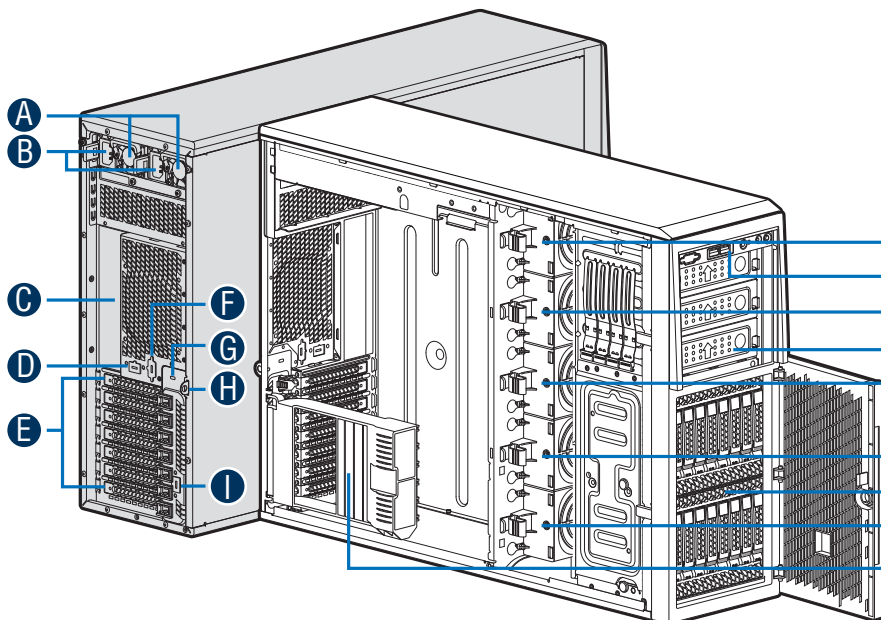
Chassis Features and Components



- A 750-W Hot Swap Power Supply (Two)
- B AC Input Power Connector (Two)
- C I/O Ports
- D Alternate RMM4 Knockout
- E PCI Add-in Board Slot Covers
- F Alternate Serial Port Knockout
- G A Kensington* Cable Lock Mounting Hole
- H Padlock Loop
- I Alternate RMM4 Knockout
- J Hot-swap System Fan 5
- K Front Control Panel
- L Hot-swap System Fan 4
- M 5.25" Peripheral Bays
- N Hot-swap System Fan 3
- O 8 x 2.5" Hot-swap HDD Cage
- P Hot-swap System Fan 2
- Q HS HDD EMI Cover
- R Hot-swap System Fan 1
- S PCI Card Retainer

Intel® Server Chassis P4216XXMHJC

Chassis Features and Components



- A 1200-W Hot Swap Power Supply (Two)
- B AC Input Power Connector (Two)
- C I/O Ports
- D Alternate RMM4 Knockout
- E PCI Add-in Board Slot Covers
- F Alternate Serial Port Knockout
- G A Kensington* Cable Lock Mounting Hole
- H Padlock Loop
- I Alternate RMM4 Knockout
- J Hot-swap System Fan 5
- K Front Control Panel
- L Hot-swap System Fan 4
- M 5.25" Peripheral Bays
- N Hot-swap System Fan 3
- O Hot-swap System Fan 2
- P 16 x 2.5" Hot-swap HDD Cage
- Q Hot-swap System Fan 1
- R PCI Card Retainer