

# Intel<sup>®</sup> Server System H2000WP Family Service Guide

---

**A Guide for Technically Qualified Assemblers of Intel<sup>®</sup> Identified Subassemblies/Products**

Order Number: G53237-003

## Disclaimer

### Disclaimer

Information in this document is provided in connection with Intel<sup>®</sup> products. No license, express or implied, by estoppel or otherwise, to any intellectual property rights is granted by this document. Except as provided in Intel's Terms and Conditions of Sale for such products, Intel assumes no liability whatsoever, and Intel disclaims any express or implied warranty, relating to sale and/or use of Intel products including liability or warranties relating to fitness for a particular purpose, merchantability, or infringement of any patent, copyright or other intellectual property right. Intel products are not designed, intended or authorized for use in any medical, lifesaving, or life sustaining applications or for any other application in which the failure of the Intel product could create a situation where personal injury or death may occur. Intel may make changes to specifications and product descriptions at any time, without notice.

Intel server boards contain a number of high-density VLSI and power delivery components that need adequate airflow for cooling. Intel's own chassis are designed and tested to meet the intended thermal requirements of these components when the fully integrated system is used together. It is the responsibility of the system integrator that chooses not to use Intel developed server building blocks to consult vendor datasheets and operating parameters to determine the amount of airflow required for their specific application and environmental conditions. Intel Corporation cannot be held responsible if components fail or the server board does not operate correctly when used outside any of their published operating or non-operating limits.

Intel, Intel Pentium, and Intel Xeon are trademarks or registered trademarks of Intel Corporation or its subsidiaries in the United States and other countries.

\* Other names and brands may be claimed as the property of others.

Copyright © 2012 Intel Corporation. All Rights Reserved.

# Safety Information

---

## Important Safety Instructions

Read all caution and safety statements in this document before performing any of the instructions. See also *Intel® Server Boards and Server Chassis Safety Information* on the Intel® Server Deployment Toolkit 3.0 CD and/or at <http://www.intel.com/support/motherboards/server/sb/cs-010770.htm>.

## Wichtige Sicherheitshinweise

Lesen Sie zunächst sämtliche Warnung und Sicherheitshinweise in diesem Dokument, bevor Sie eine der Anweisungen ausführen. Beachten Sie hierzu auch die Sicherheitshinweise zu *Intel®-Serverplatinen und Servergehäusen* auf der Intel® Server Deployment Toolkit 3.0 CD oder unter <http://www.intel.com/support/motherboards/server/sb/cs-010770.htm>.

## Consignes de sécurité

Lisez attention toutes les consignes de sécurité et les mises en garde indiquées dans ce document avant de suivre toute instruction. Consultez *Intel® Server Boards and Server Chassis Safety Information* sur le Intel® Server Deployment Toolkit 3.0 CD ou bien rendez-vous sur le site <http://www.intel.com/support/motherboards/server/sb/cs-010770.htm>.

## Instrucciones de seguridad importantes

Lea todas las declaraciones de seguridad y precaución de este documento antes de realizar cualquiera de las instrucciones. Vea *Intel® Server Boards and Server Chassis Safety Information* en el Intel® Server Deployment Toolkit 3.0 CD y/o en <http://www.intel.com/support/motherboards/server/sb/cs-010770.htm>.

## 重要安全指导

在执行任何指令之前，请阅读本文档中的所有注意事项及安全声明。和/或 <http://www.intel.com/support/motherboards/server/sb/cs-010770.htm> 上的 *Intel® Server Boards and Server Chassis Safety Information*（《Intel 服务器主板与服务器机箱安全信息》）。

### Warnings

**Heed safety instructions:** Before working with your server product, whether you are using this guide or any other resource as a reference, pay close attention to the safety instructions. You must adhere to the assembly instructions in this guide to ensure and maintain compliance with existing product certifications and approvals. Use only the described, regulated components specified in this guide. Use of other products/components will void the UL listing and other regulatory approvals of the product and will most likely result in noncompliance with product regulations in the region(s) in which the product is sold.

**System power on/off:** The power button DOES NOT turn off the system AC power. To remove power from the system, you must unplug the AC power cord from the wall outlet. Make sure the AC power cord is unplugged before you open the chassis, add, or remove any components.

**Hazardous conditions, devices and cables:** Hazardous electrical conditions may be present on power, telephone, and communication cables. Turn off the server and disconnect the power cord, telecommunications systems, networks, and modems attached to the server before opening it. Otherwise, personal injury or equipment damage can result.

**Electrostatic discharge (ESD) and ESD protection:** ESD can damage disk drives, boards, and other parts. We recommend that you perform all procedures in this chapter only at an ESD workstation. If one is not available, provide some ESD protection by wearing an antistatic wrist strap attached to chassis ground—any unpainted metal surface—on your server when handling parts.

**ESD and handling boards:** Always handle boards carefully. They can be extremely sensitive to ESD. Hold boards only by their edges. After removing a board from its protective wrapper or from the server, place the board component side up on a grounded, static free surface. Use a conductive foam pad if available but not the board wrapper. Do not slide board over any surface.

**Installing or removing jumpers:** A jumper is a small plastic encased conductor that slips over two jumper pins. Some jumpers have a small tab on top that you can grip with your fingertips or with a pair of fine needle nosed pliers. If your jumpers do not have such a tab, take care when using needle nosed pliers to remove or install a jumper; grip the narrow sides of the jumper with the pliers, never the wide sides. Gripping the wide sides can damage the contacts inside the jumper, causing intermittent problems with the function controlled by that jumper. Take care to grip with, but not squeeze, the pliers or other tool you use to remove a jumper, or you may bend or break the pins on the board.

# Preface

---

## About this Manual

This manual is written for system technicians who are responsible for troubleshooting, upgrading, and repairing this server system. This document provides a brief overview of the features of the server board/chassis, a list of accessories or other components you may need, troubleshooting information, and instructions on how to add and replace components on the Intel® Server System H2000WP family products. For the latest revision of this manual, go to [http://www.intel.com/p/en\\_US/support](http://www.intel.com/p/en_US/support).

**Table 1. Intel® Server System H2000WP family product list**

Product Code	Description
Intel® Server System H2312WPJR	With four S2600WP boards, 12x3.5" hard drive bay, 2x 1200W common redundant Power supply
Intel® Server System H2312WPQJR	With four S2600WPQ boards, 12x3.5" hard drive bay, 2x 1200W common redundant Power supply
Intel® Server System H2312WPFJR	With four S2600WPF boards, 12x3.5" hard drive bay, 2x 1200W common redundant Power supply
Intel® Server System H2216WPJR	With four S2600WP boards, 16x2.5" hard drive bay, 2x 1200W common redundant Power supply
Intel® Server System H2216WPQJR	With four S2600WPQ boards, 16x2.5" hard drive bay, 2x 1200W common redundant Power supply
Intel® Server System H2216WPFJR	With four S2600WPF boards, 16x2.5" hard drive bay, 2x 1200W common redundant Power supply
Intel® Server System H2312WPKR	With four S2600WP boards, 12x3.5" hard drive bay, 2x 1600W common redundant Power supply
Intel® Server System H2312WPQKR	With four S2600WPQ boards, 12x3.5" hard drive bay, 2x 1600W common redundant Power supply
Intel® Server System H2312WPFKR	With four S2600WPF boards, 12x3.5" hard drive bay, 2x 1600W common redundant Power supply
Intel® Server System H2216WPKR	With four S2600WP boards, 16x2.5" hard drive bay, 2x 1600W common redundant Power supply
Intel® Server System H2216WPQKR	With four S2600WPQ boards, 16x2.5" hard drive bay, 2x 1600W common redundant Power supply
Intel® Server System H2216WPFKR	With four S2600WPF boards, 16x2.5" hard drive bay, 2x 1600W common redundant Power supply

## Manual Organization

Chapter 1 provides a brief overview of the Intel® Server System H2000WP family. In this chapter, you will find a list of the server system features, and figures of the system and components to help you identify your system components and their locations.

Chapter 2 provides instructions on adding and replacing components. Use this chapter for step-by-step instructions and diagrams for installing or replacing components such as the fan, power supply, and front panel board, among other components.

Chapter 3 provides instructions on using the utilities that are shipped with the board or that may be required to update the system. This includes information for navigating through the BIOS Setup screens, performing a BIOS update, and resetting the password or BIOS defaults.

At the back of this document, you will find appendices on safety, “Getting Help”, and warranty information.

## Additional Information and Software

For additional information about this family of products or any of their supported accessories, refer to the following resources available at <http://www.intel.com/support>.

**Table 2. Server System References**

For this information or software	Use this Document or Software
For in-depth technical information about this product.	<i>Intel® Server System H2000WP Family Technical Product Specification</i> See the section on the web page titled, “Architecture/Specifications”.
For installation of supported spares and accessories	<i>Intel® Server System H2000WP Family Quick Installation User’s Guide</i> See the section on the web page titled, “System Integration/User Guides/Compatibility”.
For a list of supported Intel spares and accessories	<i>Spares and Configuration Guide</i> See the section on the web page titled, “Documents & Guides”.
For server configuration guidance and compatibility	Intel® Server Configurator tool To be provided later.
For system power budget guidance	Power Budget Analysis Tool To be provided later.
For software to manage your Intel® Server System.	Intel Server Management Software See the section on the web page titled, “Software/Code”.
For system firmware updates and onboard device drivers	Intel Deployment Assistant DVD Firmware and Drivers See the section on the web page titled, “Software/Code”.
Product Safety and Regulatory document	<i>Intel Server Products - Product Safety and Regulatory Compliance Document</i> See the section on the web page titled, “Regulations/Certification/Compliance”.

# Table of Contents

---

<b>Safety Information</b> .....	<b>iii</b>
<b>Preface</b> .....	<b>v</b>
<b>1 Server System Features</b> .....	<b>1</b>
Server System Feature Overview .....	1
Server System Components.....	3
Front Panel .....	5
Back Panel.....	6
Server Board Components.....	7
Intel® Light-Guided Diagnostics .....	8
System Jumpers .....	9
Hard Disk Drive Carriers.....	10
Bezel     10	
Hot-Swap SAS/SATA Backplane .....	10
Advanced Management Options.....	12
<b>2 Hardware Installations and Upgrades</b> .....	<b>13</b>
Before You Begin.....	13
Tools and Supplies Needed .....	13
System Reference .....	13
Cable Routing.....	13
For cable connection inside Node tray .....	14
Removing and Installing the Front Bezel .....	14
Removing the Front Bezel.....	14
Installing the Front Bezel.....	15
Removing and Installing the System Top Cover.....	15
Removing the System Top Cover.....	15
Installing the System Cover.....	16
Removing and Installing the Compute Node Tray .....	16
Removing the Node Tray.....	17
Installing the Node Tray .....	17
Removing and Installing the Redundant Power Supply Unit.....	17
Removing the Power Supply Unit .....	18
Installing the Power Supply Unit.....	18
Removing and Installing the Node Tray Air Duct .....	18
Removing the Air Duct.....	19
Installing the Air Duct .....	19
Transparent Mylar Installation .....	20
Removing and Installing Processor .....	20
Removing Processor Heatsink(s).....	20
Installing the Processor.....	21
Installing Processor Heatsink(s) .....	23
Removing the Processor .....	24
Installing and Removing Memory .....	24
Installing Memory .....	24
Removing Memory.....	25
Installing and Removing Hot-swap Hard Drive.....	25

## Table of Contents

Installing a Hard Disk Drive into 3.5" Hard Drive Carrier.....	25
Installing a Hard Disk Drive into 2.5" Hard Drive Carrier.....	26
Installing and Removing the PCIe Riser Assembly .....	27
On Riser Slot 1 .....	27
Installing the PCIe Riser Assembly and add-in card.....	27
Removing a PCI Add-in Card .....	28
On Riser Slot 2 .....	29
Installing IOM riser and carrier assembly .....	29
Removing IO module .....	31
Installing and Removing the Intel® Remote Management Module 4 Lite .....	32
Installing the Intel® RMM4 Lite.....	32
Installing the Intel® Storage Upgrade Key .....	33
Installing the Intel® Storage Upgrade Key .....	33
Installing and Removing the Bridge Board.....	34
Removing the Bridge Board.....	34
Installing the Bridge Board.....	34
Installing Spare Bridge Board with SAS 6G Solution .....	35
Replacing Node Bridge Board.....	35
Connecting Mini SAS Cable between Bridge Board and RAID/SAS Controller .....	36
Installing and Removing the Node Power Docking Board .....	38
Removing the NPD Board.....	38
Installing the NPD Board.....	38
Installing and Removing the Fan set in node tray .....	39
Removing the Fan set .....	39
Installing the Fan set.....	39
Installing and Removing the 2.5" Backplane Board .....	39
Removing the 2.5" Backplane board .....	39
Installing the 2.5" Backplane board.....	40
Installing and Removing the 3.5" Backplane Board .....	41
Removing the 3.5" Backplane board .....	41
Installing the 3.5" Backplane board.....	41
Installing and Removing the Power Distribution Board .....	42
Removing the PDB .....	42
Installing the PDB .....	43
Replacing the Backup Battery .....	44
Replacing the Front Control Panel board .....	45
Removing the Front Control Panel .....	45
Installing Front Control Panel Board.....	46
Rack Mounting the Chassis .....	48
Mounting the Chassis to Rack .....	48
Removing the Chassis from Rack.....	49
<b>3 Server Utilities .....</b>	<b>51</b>
Using the BIOS Setup Utility .....	51
Starting Setup .....	51
Setup Navigation Keyboard Commands .....	51
Setup Screen Menu Selection Bar .....	52
BIOS Setup Utility Screens .....	52
Map of Screens and Functionality .....	53



<b>Appendix A: Technical Reference .....</b>	<b>55</b>
Power Supply Input Voltages .....	55
Power Supply Output Voltages .....	55
System Environmental Specifications .....	55
<b>Appendix B: Regulatory and Compliance Information .....</b>	<b>57</b>
<b>Appendix C: LED Decoder .....</b>	<b>58</b>
<b>Appendix D: Getting Help .....</b>	<b>64</b>
Warranty Information .....	64
<b>Appendix E: Intel® Server Issue Report Form.....</b>	<b>65</b>

## List of Figures

---

Figure 1. Intel® Server System H2000WP Family (H2312WP as demonstrated) .....	1
Figure 2. Intel® Server System H2000WP Overview (H2312WP as demonstrated).....	4
Figure 3. Front View of Intel® Server System H2312WP with 12x3.5" HDD bays.....	4
Figure 4. Front View of Intel® Server System H2216WP with 16x2.5" HDD bays.....	4
Figure 5. Rear View of Intel® Server System H2000WP with Compute Node Numbering .....	5
Figure 6. HDD array scheme on Intel® Server System H2312WP .....	5
Figure 7. HDD array scheme on Intel® Server System H2216WP .....	5
Figure 8. Front Panel Options .....	6
Figure 9. Back Panel Feature Identification per Compute Node .....	6
Figure 10. Server Board S2600WPQ Connector and Component Locations .....	7
Figure 11. Intel® Light-Guided Diagnostic LEDs - Server Board .....	8
Figure 12. Configuration Jumpers .....	9
Figure 13. Front view of System Bezel.....	10
Figure 14. 12 x 3.5-inch Hard Drive Backplane Components (Front View).....	11
Figure 15. 12 x 3.5-inch Hard Drive Backplane Components (Rear View) .....	11
Figure 16. 16 x 2.5-inch Hard Drive Backplane Components (Front View).....	12
Figure 17. 16 x 2.5-inch Hard Drive Backplane Components (Rear View) .....	12
Figure 18. Cable Routing inside Node tray.....	14
Figure 19. Removing the Front Bezel.....	14
Figure 20. Installing the Front Bezel .....	15
Figure 21. Removing the System Top Cover.....	16
Figure 22. Installing the System Cover.....	16
Figure 23. Pulling out the Node Tray .....	17
Figure 24. Installing the Node Tray .....	17
Figure 25. Removing the PSU .....	18
Figure 26. Installing the PSU.....	18
Figure 27. Removing the Air Duct.....	19
Figure 28. Installing the Air Duct .....	19
Figure 29. Transparent Isolation Film for Air Duct.....	20
Figure 30. Removing Processor Heatsink.....	21
Figure 31. Installing Processor – Open the Socket Lever .....	21
Figure 32. Installing Processor – Open the Load Plate.....	22
Figure 33. Installing Processor – Install the Processor .....	22
Figure 34. Installing Processor – Remove the Cover.....	22
Figure 35. Installing Processor – Close the Load Plate .....	23
Figure 36. Installing Processor – Latch the Locking Lever .....	23
Figure 37. Installing Processor Heatsink .....	24
Figure 38. Installing Memory .....	25
Figure 39. Installing Hard Disk Drive – installing 3.5" HDD to carrier .....	25
Figure 40. Installing Hard Disk Drive – Inserting 3.5" HDD assembly .....	26
Figure 41. Installing Hard Disk Drive – Installing 2.5" HDD to Carrier.....	26
Figure 42. Installing Hard Disk Drive – Inserting 2.5" HDD Assembly .....	27
Figure 43. Assembly Riser with Bracket .....	27
Figure 44. Installing Riser 1 Assembly.....	27
Figure 45. Installing a PCI Adapter to PCI Riser 1 Assembly.....	28
Figure 46. Removing IOM assembly.....	28
Figure 47. Removing PCIe add-in card assembly.....	29

Figure 48. Removing PCIe add-in card from riser slot.....	29
Figure 49. Installing the Riser to Bracket .....	30
Figure 50. Installing IO Module .....	30
Figure 51. Installing Assembly to Riser.....	30
Figure 52. Fastening the Assembly in Chassis .....	31
Figure 53. Unscrewing IOM Assembly .....	31
Figure 54. Removing IOM Assembly from Chassis.....	32
Figure 55. Removing IO Module from Assembly .....	32
Figure 56. Installing the Intel® RMM4 Lite.....	33
Figure 57. Installing the Intel® Storage Upgrade Key .....	34
Figure 58. Removing the bridge board .....	34
Figure 59. Installing the Bridge Board.....	35
Figure 63. Removing the NPD board.....	38
Figure 64. Installing the NPD board.....	38
Figure 65. Removing the Node Fan Set.....	39
Figure 66. Installing the Server Board.....	39
Figure 67. Removing the 2.5" Backplane Board .....	40
Figure 68. Align the Backplane to the Clamps on the Chassis Base .....	40
Figure 69. Installing the 2.5" Backplane Board .....	41
Figure 70. Removing the 3.5" Backplane Board .....	41
Figure 71. Align the Backplane to the Clamps on the Chassis Base .....	42
Figure 72. Installing the 3.5" Backplane Board .....	42
Figure 73. Removing the upper PDB.....	43
Figure 74. Removing the lower PDB.....	43
Figure 75. Installing the lower PDB .....	43
Figure 76. Installing the upper PDB .....	44
Figure 77. Replacing the Backup Battery .....	45
Figure 78. Removing FP Assembly from Rack Handle.....	45
Figure 79. Disconnecting Control Panel Cable.....	46
Figure 80. Removing Control Panel Board.....	46
Figure 81. Installing Control Panel Board .....	47
Figure 82. Connecting Cable to Front Panel Board .....	47
Figure 83. Installing Control Panel Assembly to Rack Handle .....	47
Figure 84. Removing Inner Member from Slides .....	48
Figure 85. Installing Slides to the Rack .....	48
Figure 86. Installing Inner Member to the Chassis .....	49
Figure 87. Installing the Chassis to Rack.....	49
Figure 88. Extending Slides to Remove the Chassis.....	50
Figure 89. Removing the Inner Member from the Chassis .....	50

## List of Tables

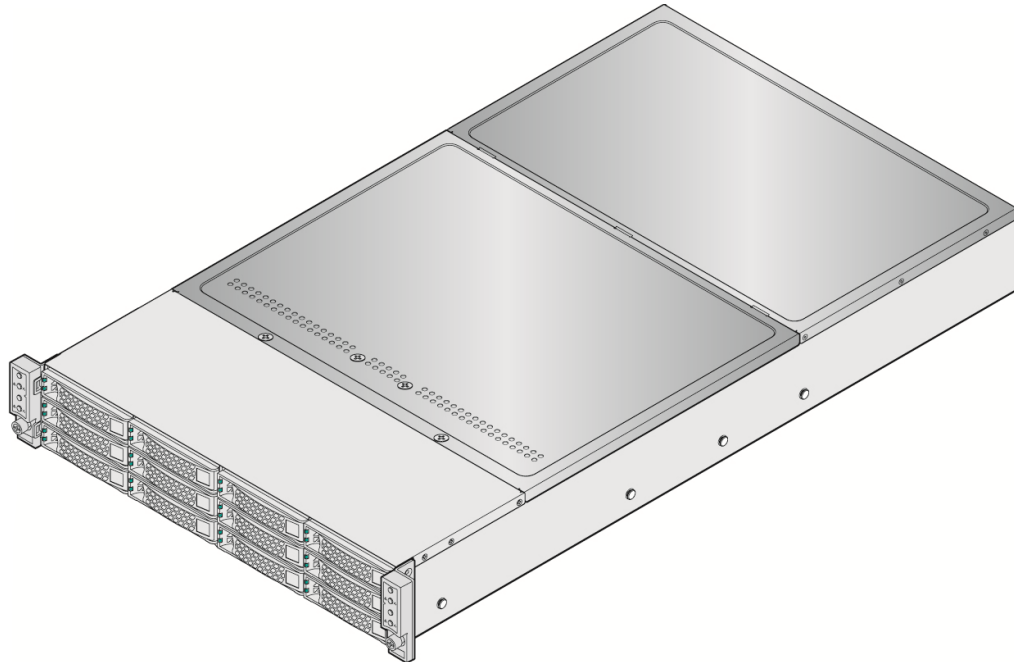
---

Table 1. Intel® Server System H2000WP family product list.....	v
Table 2. Server System References.....	vi
Table 3. Intel® Server System H2000WP Feature Summary.....	1
Table 4. Hard Disk Drive Options .....	10
Table 5. Intel® RAID C600-A Storage Upgrade Key Options for S2600WP.....	33
Table 6. BIOS Setup: Keyboard Command Bar .....	51
Table 7. Screen Map .....	53
Table 8. CRPS Input Voltage.....	55
Table 9. CRPS Output Voltage .....	55
Table 10. System Environmental Limits Summary .....	55
Table 11. POST Progress Code LED Example.....	58
Table 12. Diagnostic LED POST Code Decoder.....	59

<This page is intentionally left blank.>

# 1 Server System Features

This chapter briefly describes the main features of the Intel® Server System H2000WP family. This includes illustrations of the products, a list of the server system features, and diagrams showing the location of important components and connections on the server systems.



AF004655

**Figure 1. Intel® Server System H2000WP Family (H2312WP as demonstrated)**

## Server System Feature Overview

Table 3 summarizes the features of the server systems.

**Table 3. Intel® Server System H2000WP Feature Summary**

Feature		Description
Dimensions	H2312WP	<ul style="list-style-type: none"> <li>▪ 3.46 inches (87.9 mm) height</li> <li>▪ 17.24 inches (438.0 mm) wide (top cover and emboss for Front Panel cable is not included)</li> <li>▪ 30.35 inches (771 mm) deep (depth of handle and HDD carrier is not included)</li> <li>▪ 84 pounds (38kg) –roughly maximum system weight</li> </ul>
	H2216WP	<ul style="list-style-type: none"> <li>▪ 3.46 inches (87.9 mm) height</li> <li>▪ 17.24 inches (438.0 mm) wide (top cover and emboss for Front Panel cable is not included)</li> <li>▪ 28.86 inches (733 mm) deep (depth of handle and HDD carrier is not included)</li> <li>▪ 71 pounds (32kg) –roughly maximum system weight</li> </ul>
Compute Node Processor Support		<ul style="list-style-type: none"> <li>▪ Support for one or two Intel® Xeon® processors E5-2600 product family with a Thermal Design Power (TDP) of up to 135 W(8-core and 6-core), or 80W(4-core) and below.</li> </ul>
Compute Node		<ul style="list-style-type: none"> <li>▪ 16 DIMM slots – 2 DIMMs/Channel – 4 memory channels per processor</li> </ul>

## Server System Features

Feature	Description
Memory	<ul style="list-style-type: none"> <li>▪ Unbuffered ECC or Registered DDR3 DIMMs</li> <li>▪ Memory DDR3 data transfer rates of 800, 1066, 1333 MT/s and 1600 MT/s</li> <li>▪ DDR3 standard I/O voltage of 1.5V (all speed) and DDR3 Low Voltage of 1.35V (1333MT/s or below).</li> </ul>
Chipset on each Compute Node	Intel® C600-A chipset with support for optional Storage Upgrade Keys
Compute Node External I/O connections	<ul style="list-style-type: none"> <li>▪ DB-15 Video connectors</li> <li>▪ Two RJ-45 Network Interface for 10/100/1000 LAN</li> <li>▪ One stacked two port USB 2.0 (Port 0/1) connectors</li> <li>▪ One dedicated 1GbE management port on rIOM carrier(Optional)</li> <li>▪ One InfiniBand* QDR QSFP port (Board SKU: S2600WPQ)</li> <li>▪ One InfiniBand* FDR QSFP port (Board SKU: S2600WPF).</li> </ul>
Compute Node Internal I/O connectors/headers	<ul style="list-style-type: none"> <li>▪ Bridge Slot to extend board I/O               <ul style="list-style-type: none"> <li>- SCU0 (Four SAS 3Gb/s ports) to backplane</li> <li>- Front control panel signals</li> <li>- One SATA(Port 0) 6Gb/s port for DOM</li> </ul> </li> <li>▪ One Type-A USB 2.0 connector (USB port 2)</li> <li>▪ One 2x7pin header for system FAN module</li> <li>▪ One DH-10 serial Port A connector</li> <li>▪ One SATA 6Gb/s (Port 1)</li> <li>▪ One 2x4 pin header for Intel® RMM4 Lite</li> <li>▪ One 1x4 pin header for Storage Upgrade Key</li> </ul>
Available I/O Module Options (Sold Separately)	<p>The following I/O modules utilize a single proprietary on-board connector. An installed I/O module can be supported in addition to standard on-board features and any add-in expansion cards.</p> <ul style="list-style-type: none"> <li>▪ Quad Port Intel® I350 GbE I/O Module</li> <li>▪ Dual Port Intel® X540 10GbE I/O Module</li> <li>▪ Dual Port Intel® 82599 10GbE I/O Module</li> <li>▪ QDR InfiniBand* ConnectX® I/O Module</li> <li>▪ FDR InfiniBand* ConnectX® I/O Module</li> </ul>
System Fans by each Compute Node	<ul style="list-style-type: none"> <li>▪ Three sets of dual rotor managed system fans</li> <li>▪ One internal power supply fan for each installed power supply unit</li> </ul>
Compute Node Riser Cards	<p>S2600WPQ and S2600WPF: Four PCIe Gen III x16 riser slots</p> <ul style="list-style-type: none"> <li>▪ Riser slot 1 support PCIe Gen III x16 Riser with LP PCIe add-in card</li> <li>▪ Riser slot 2 supports PCIe Gen III x 16 Riser or x 8 Riser (for Intel® rIOM and RMM4 NIC port)</li> <li>▪ Riser slot 3 and Riser slot 4 support PCIe Gen III x16 Risers. (Intel® server system H2000WP does not provide Riser cards for slot 3 and 4 with bridge board covered)</li> </ul> <p>S2600WP: Three PCIe Gen III x16 riser slots and one PCIe Gen III x(16+8) riser slots</p> <ul style="list-style-type: none"> <li>▪ Riser slot 1 support PCIe Gen III x16 Riser with LP PCIe add-in card</li> <li>▪ Riser slot 2 supports PCIe Gen III x 16 Riser or x 8 Riser (for Intel® rIOM and RMM4 NIC port) plus an additional discretet x8 Riser.</li> <li>▪ Riser slot 3 and Riser slot 4 support PCIe Gen III x16 Risers. (Intel® server system H2000WP does not provide Riser cards for slot 3 and 4 with bridge board covered)</li> </ul>
Node Video	<ul style="list-style-type: none"> <li>▪ Integrated 2D Video Controller</li> </ul>

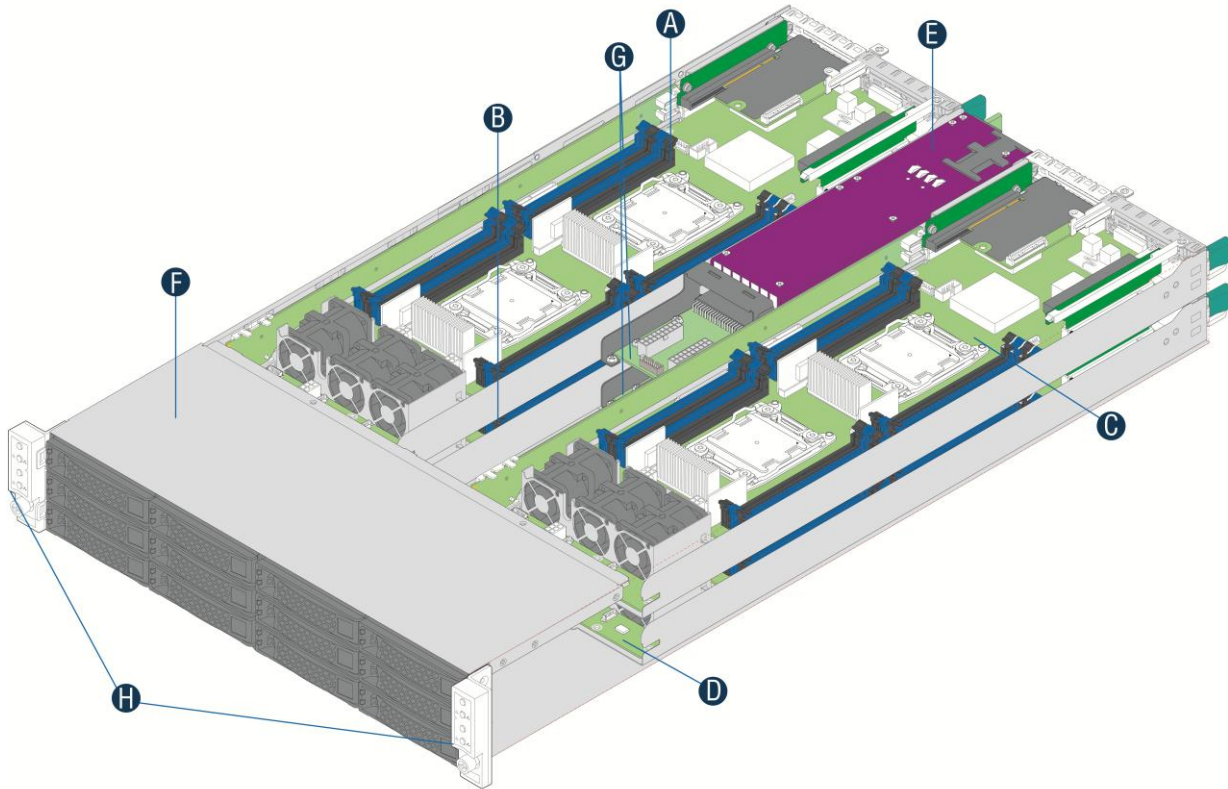
Feature	Description
	<ul style="list-style-type: none"> <li>▪ 128 MB DDR3 Memory</li> </ul>
Node On-board storage controllers and options	<ul style="list-style-type: none"> <li>▪ Two single port SATA connectors (on baseboard and bridge board) capable of supporting up to 6 GB/sec</li> <li>▪ SCU0 4-port up to 3 GB/sec SAS or 6 GB/sec SATA through bridge board</li> <li>▪ Intel® RAID C600 Upgrade Key support providing optional expanded SATA/SAS RAID capabilities</li> </ul>
Server Management	<ul style="list-style-type: none"> <li>▪ Onboard ServerEngines* LLC Pilot III* Controller</li> <li>▪ Support for Intel® Remote Management Module 4 Lite solutions</li> <li>▪ Intel® Light-Guided Diagnostics on field replaceable units</li> <li>▪ Support for Intel® System Management Software</li> <li>▪ Support for Intel® Intelligent Power Node Manager (Need PMBus-compliant power supply).</li> </ul>
Power Supply Options	<ul style="list-style-type: none"> <li>▪ 1200w AC Common Redundant Power Supply (CRPS), 80 plus Platinum with PFC, supporting CRPS configuration. Chassis SKU: H2312WPJR, H2216WPJR, H2312WPQJR, H2216WPQJR</li> <li>▪ 1600w AC Common Redundant Power Supply (CRPS), 80 plus Platinum with PFC, supporting CRPS configuration. Chassis SKU: H2312WPKR, H2216WPKR, H2312WPQKR, H2216WPQKR</li> </ul>
Storage Bay Options	<ul style="list-style-type: none"> <li>▪ 12x 3.5-inch SATA/SAS HDD bays (SKU: H2312WP serial)</li> <li>▪ 16x 2.5-inch SATA/SAS HDD bays (SKU: H2216WP serial)</li> </ul>
Available Rack Mount Kit Options	<ul style="list-style-type: none"> <li>▪ Basic slide rail kit (AXXELVRAIL), bundled with system package</li> </ul>

## Server System Components

This section helps you identify the components of your server system. If you are near the system, you can also use the *Quick Reference Label* provided on the inside of the chassis cover to assist in identifying components.

The H2000WP family has four compute nodes in the chassis. The whole system view is as below (with top cover removed).



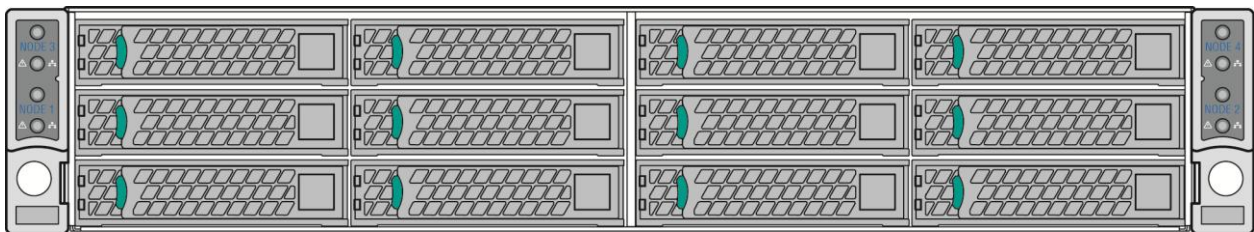


<b>A</b>	Compute Node 3 Tray	<b>E</b>	Common Redundant Power Supply
<b>B</b>	Compute Node 1 Tray	<b>F</b>	HDD bays with Hot Swap Backplane
<b>C</b>	Compute Node 4 Tray	<b>G</b>	Upper and Lower Power Distribution Boards
<b>D</b>	Compute Node 2 Tray	<b>H</b>	Front Control Panel

AF004861

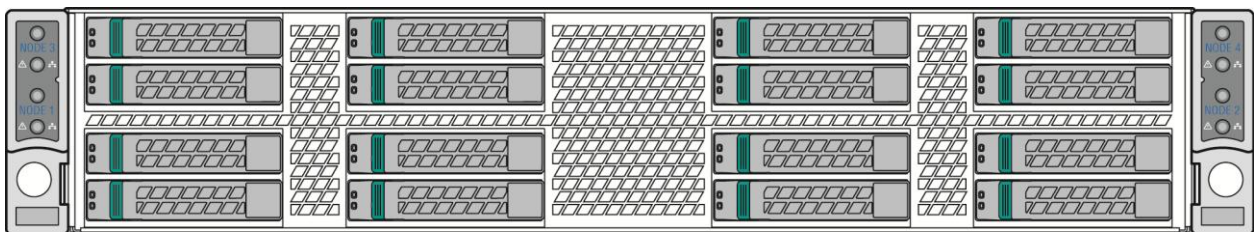
**Figure 2. Intel® Server System H2000WP Overview (H2312WP as demonstrated)**

There are two configurations of hard disk drives for H2000WP family.



AF004635

**Figure 3. Front View of Intel® Server System H2312WP with 12x3.5" HDD bays**



AF004637

**Figure 4. Front View of Intel® Server System H2216WP with 16x2.5" HDD bays**

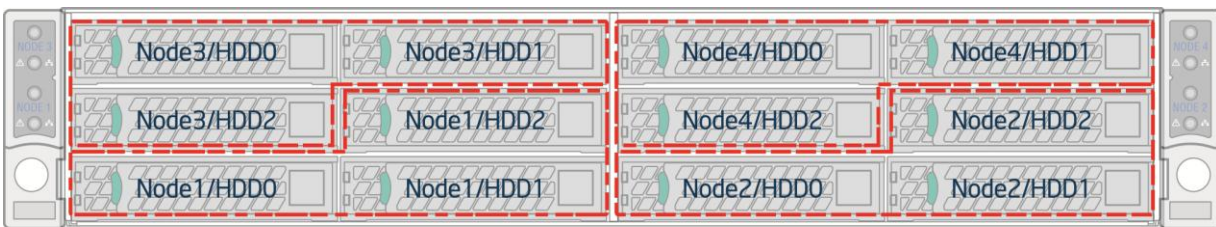
The Compute Node in the chassis has dedicated numbering by position.



AF004513

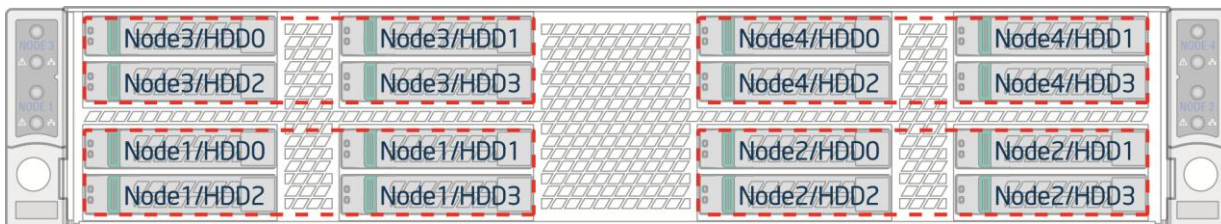
**Figure 5. Rear View of Intel® Server System H2000WP with Compute Node Numbering**

Each Compute Node has dedicated Hard Disk Drive array based on backplane controller design. Below are schemes for HDD array in correspondent to Compute Node.



AF004511

**Figure 6. HDD array scheme on Intel® Server System H2312WP**

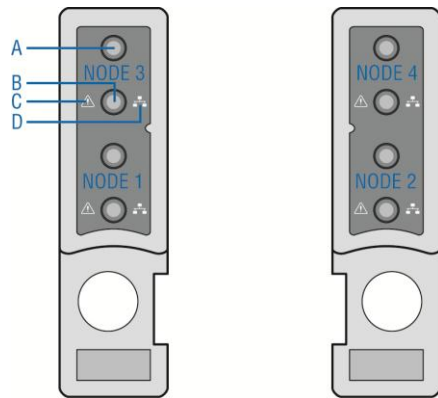


AF004512

**Figure 7. HDD array scheme on Intel® Server System H2216WP**

## Front Panel

The system contains two sets of control panels on left and right rack handles. Each control panel contains two sets of control buttons and LEDs for each Compute Node. Below is the scheme of control panel.



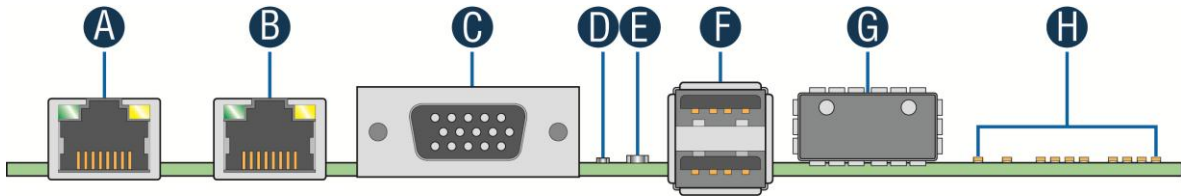
AF004534

<b>A</b>	System Power Button with LED
<b>B</b>	System ID LED Button
<b>C</b>	System Status LED /
<b>D</b>	Network Link/Activity LED

**Figure 8. Front Panel Options**

## Back Panel

Compute Node back panel scheme is as below:



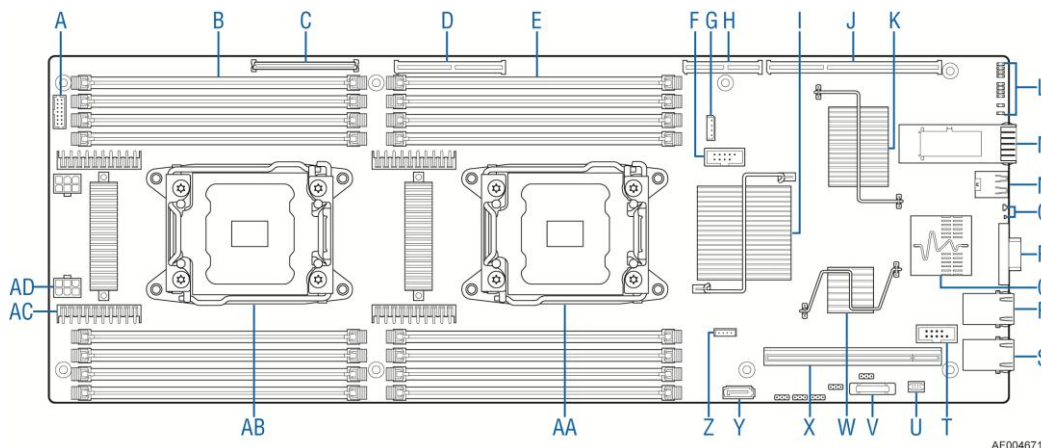
AF004821

	Description		Description
<b>A</b>	NIC port 1 (RJ45)		Status LED
	NIC port 2 (RJ45)		Dual port USB connector
	DB15 video out		QSFP Connector
	ID LED		InfiniBand* status and Diagnostic LED

**Figure 9. Back Panel Feature Identification per Compute Node**

## Server Board Components

This section helps you identify the components and connectors on the server board in each Compute Node.

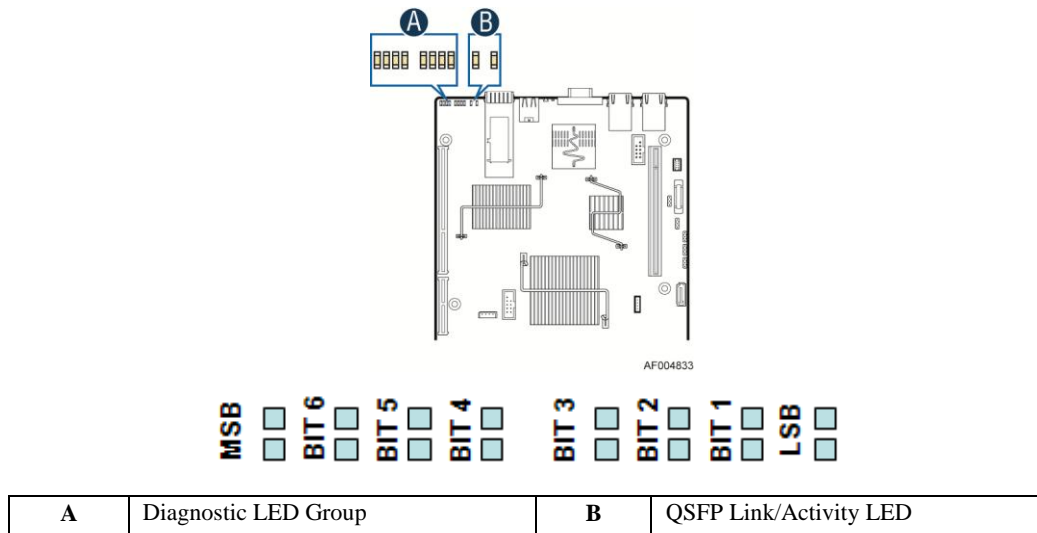


AF004671

<b>A</b>	2x7 fan control connector	<b>I</b>	PCH C600-A	<b>Q</b>	Dual port 1GbE NIC chip	<b>Y</b>	SATA port 1
<b>B</b>	CPU2 DIMM (8 total)	<b>J</b>	Riser Slot 2 , (PCIe Gen3x16)	<b>R</b>	NIC port 2	<b>Z</b>	Storage Upgrade key
<b>C</b>	Riser Slot 4 (PCIe Gen3x16)	<b>K</b>	InfiniBand* QDR/FDR	<b>S</b>	NIC Port 1	<b>AA</b>	CPU 1
<b>D</b>	Riser Slot 3 (PCIe Gen3x16)	<b>L</b>	POST LED and InfiniBand* Status LED	<b>T</b>	Serial Port A	<b>AB</b>	CPU 2
<b>E</b>	CPU1 DIMM (8 total)	<b>M</b>	QSFP port	<b>U</b>	RMM4 lite	<b>AC</b>	VRS (4 total)
<b>F</b>	2x5 USB	<b>N</b>	USB x2	<b>V</b>	CMOS battery	<b>AD</b>	2x3 PWR connector (2 total)
<b>G</b>	IPMB connector	<b>O</b>	Status and ID LED	<b>W</b>	Integrated BMC		
<b>H</b>	Bridge board connector	<b>P</b>	VGA out	<b>X</b>	Riser Slot 1 (PCIe Gen3x16)		

Figure 10. Server Board S2600WPQ Connector and Component Locations

## Intel® Light-Guided Diagnostics



**Figure 11. Intel® Light-Guided Diagnostic LEDs - Server Board**

The server system contains the following diagnostic LEDs, each providing the following functions:

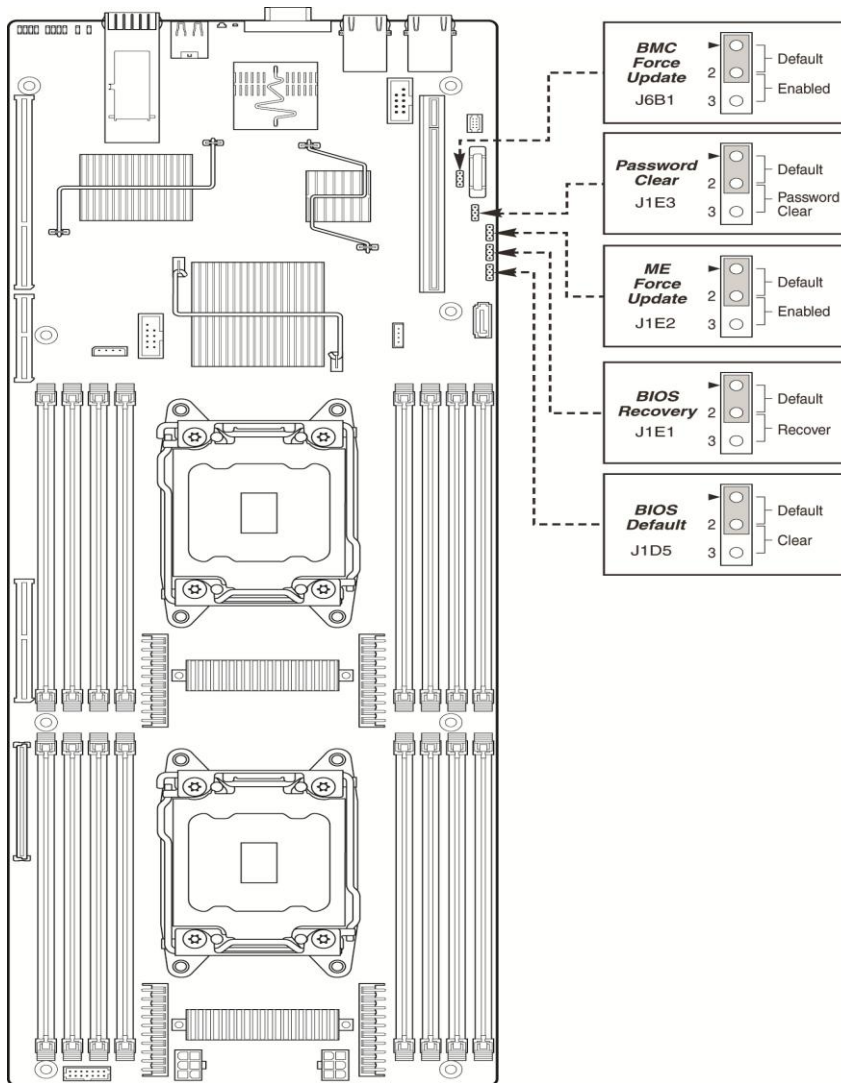
Section A – POST Code Diagnostic LEDs on the server board change color or state (off, green, red, and amber) according to the POST sequence.

Section B – Link and Activity LEDs for QSFP InfiniBand\* and 10GbE.

D in Figure 9 - The System Identification LED on the front and back panel helps identify the server from among several servers. The ID LED is off by default, and blue when activated by button or software.

E in Figure 9 - The System Status LED on the front and back panels shows the overall health of the system (green, blinking green, blinking amber, amber, off).

# System Jumpers



AF004672

Jumper Name	Jumper Position	Mode of Operation	Note
J6B1: BMC Force Update jumper	1-2	Normal	Normal mode
	2-3	Update	BMC in force update mode
J1E2: ME Force Update	1-2	Normal	Normal mode
	2-3	Update	ME in force update mode
J1E3: Password Clear	1-2	Normal	Normal mode, password in protection
	2-3	Clear Password	BIOS password is cleared
J1E1: BIOS Recovery Mode	1-2	Normal	Normal mode
	2-3	Recovery	BIOS in recovery mode
J1D5: BIOS Default	1-2	Normal	Normal mode
	2-3	Clear BIOS Settings	BIOS settings are reset to factory default

Figure 12. Configuration Jumpers

## Hard Disk Drive Carriers

The Intel® Server System JF ships in two different basic SKUs, and with different maximum number of hard disk drives, see below table for details:

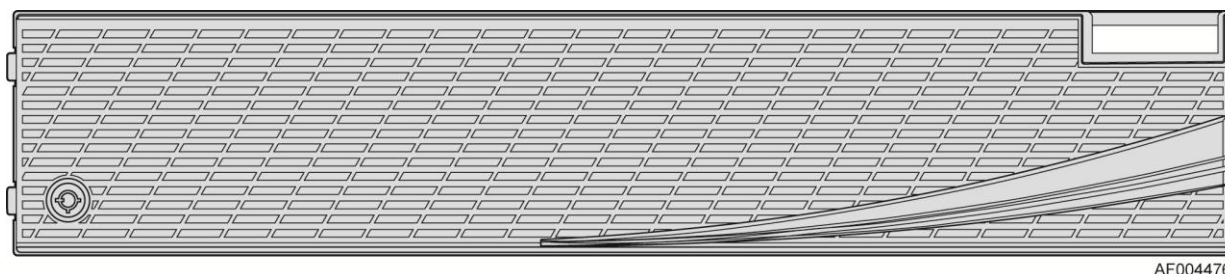
**Table 4. Hard Disk Drive Options**

Intel® Server System	Supported Hard Drive Type	Maximum Hard Drive Number
H2312WP/ H2312WPQ	3.5-inch	12
H2216WP/H2216WPQ	2.5-inch	16

- Note:**
1. SAS drives are only supported when proper Intel® RAID C600 Upgrade Key is installed.
  2. Drives can consume up to 17 watts of power each. Drives must be specified to run at a maximum ambient temperature of 45°C.
  3. The Intel® Server System H2000WP does not support all SAS or Serial ATA (SATA) hard drives. For a web link to a list of supported hard drives, see [Additional Information and Software](#) on page vi.

## Bezel

The front bezel is available as optional accessory for the server system:

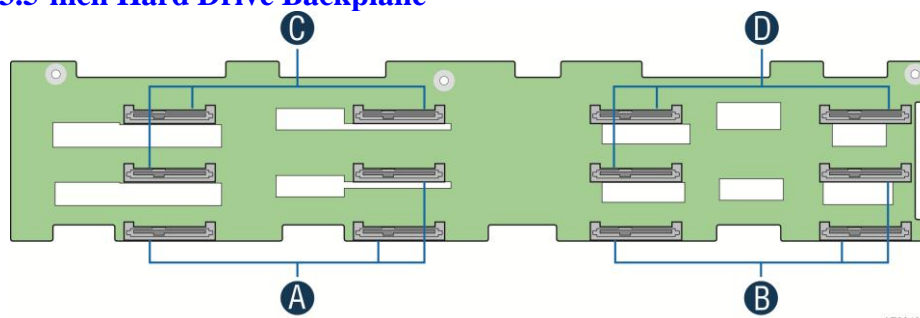


**Figure 13. Front view of System Bezel**

## Hot-Swap SAS/SATA Backplane

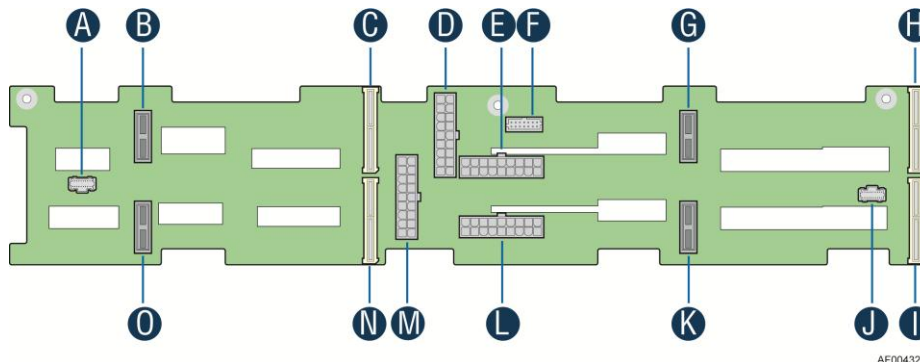
The Hot-Swap SAS/SATA backplane serves as an interface between the mother board and the system drives. The following diagrams show the location for each connector found on the backplane.

### 12 x 3.5-inch Hard Drive Backplane



<b>A</b>	SATA/SAS connectors for Node 1
<b>B</b>	SATA/SAS connectors for Node 2
<b>C</b>	SATA/SAS connectors for Node 3
<b>D</b>	SATA/SAS connectors for Node 4

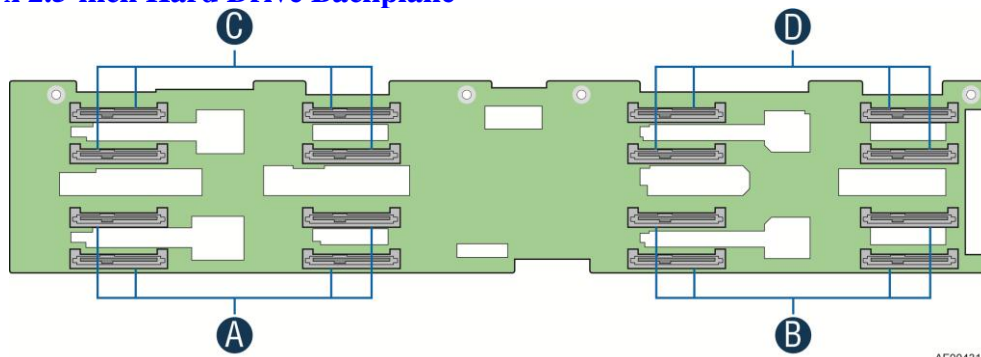
Figure 14. 12 x 3.5-inch Hard Drive Backplane Components (Front View)



<b>A</b>	20-pin Front Panel cable connector for Node 2, 4
<b>B</b>	2-Blade Compute Node Power connector for Node 4
<b>C</b>	2x40 pin Bridge Board connector for Node 4
<b>D</b>	2x9 pin Power supply input connector
<b>E</b>	2x9 pin Power supply input connector
<b>F</b>	2x7 pin Power Control cable connector
<b>G</b>	2-Blade Compute Node Power connector for Node 3
<b>H</b>	2x40 pin Bridge Board connector for Node 3
<b>I</b>	2x40 pin Bridge Board connector for Node 1
<b>J</b>	20-pin Front Panel cable connector for Node 1, 3
<b>K</b>	2Blade Compute Node Power connector for Node 1
<b>L</b>	2x9 pin Power supply input connector
<b>M</b>	2x9 pin Power supply input connector
<b>N</b>	2x40 pin Bridge Board connector for Node 2
<b>O</b>	2-Blade Compute Node Power connector for Node 2

Figure 15. 12 x 3.5-inch Hard Drive Backplane Components (Rear View)

### 16 x 2.5-inch Hard Drive Backplane

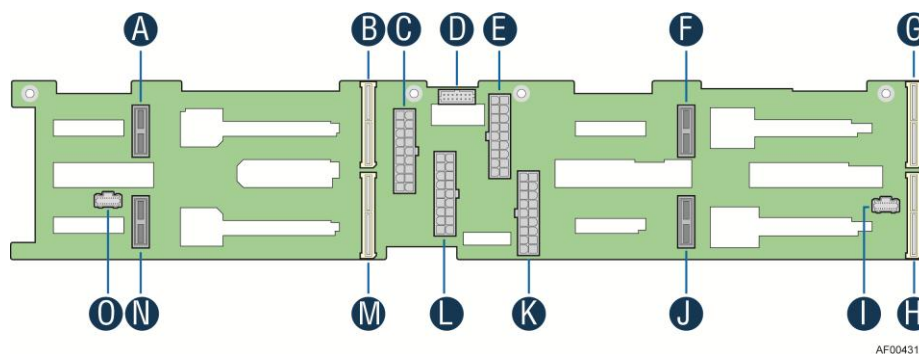


<b>A</b>	SATA/SAS connectors for Node 1
<b>B</b>	SATA/SAS connectors for Node 2



<b>C</b>	SATA/SAS connectors for Node 3
<b>D</b>	SATA/SAS connectors for Node 4

**Figure 16. 16 x 2.5-inch Hard Drive Backplane Components (Front View)**



<b>A</b>	2Blade Compute Node Power connector for Node 4
<b>B</b>	2x40 pin Bridge Board connector for Node 4
<b>C</b>	2x9 pin Power supply input connector
<b>D</b>	2x7 pin Power Control cable connector
<b>E</b>	2x9 pin Power supply input connector
<b>F</b>	2Blade Compute Node Power connector for Node 3
<b>G</b>	2x40 pin Bridge Board connector for Node 3
<b>H</b>	2x40 pin Bridge Board connector for Node 1
<b>I</b>	20-pin Front Panel cable connector for Node 1, 3
<b>J</b>	2Blade Compute Node Power connector for Node 1
<b>K</b>	2x9 pin Power supply input connector
<b>L</b>	2x9 pin Power supply input connector
<b>M</b>	2x40 pin Bridge Board connector for Node 2
<b>N</b>	2Blade Compute Node Power connector for Node 2
<b>O</b>	20-pin Front Panel cable connector for Node 2, 4

**Figure 17. 16 x 2.5-inch Hard Drive Backplane Components (Rear View)**

## Advanced Management Options

### Intel<sup>®</sup> Remote Management Module 4 Lite

The Intel<sup>®</sup> Remote Management Module 4 Lite plugs into a dedicated connector on the server board and provides additional server management functionality to the Compute Node.

This module, together with dedicated management port on IOM carrier sitting on Slot2 riser provides a dedicated web server for viewing server information and remote control of the system. It also provides Remote KVM Redirection and USB Media Redirection allowing USB devices attached to the remote system to be used on the managed server.

For instructions on installing the Intel<sup>®</sup> Remote Management Module 4 Lite, see [Installing and Removing the Intel<sup>®</sup> Remote Management Module 4 Lite](#).

## 2 Hardware Installations and Upgrades

---

### Before You Begin

Before working with your server product, pay close attention to the [Safety Information on page iii](#) at the beginning of this manual.

*Note: Whenever you service the system, you must first power down the server and unplug all peripheral devices and the AC power cord.*

### Tools and Supplies Needed

- Phillips\* (cross head) screwdriver (#1 bit and #2 bit)
- Needle nosed pliers
- Anti-static wrist strap and conductive foam pad (recommended)

### System Reference

All references to left, right, front, top, and bottom assume the reader is facing the front of the chassis as it would be positioned for normal operation.

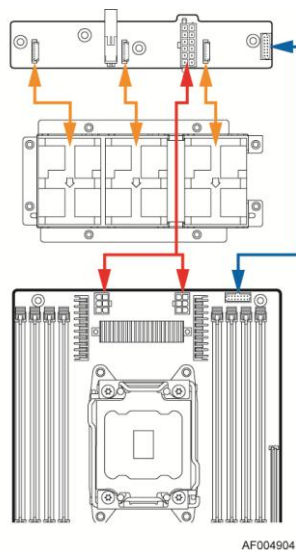
*Note: The Intel® Server System H2000WP is shown for illustration purposes; server components with the product family are identical.*

### Cable Routing

The Intel® Server System H2000WP family is a high density system, containing four identical Compute Nodes inside. There are a few cables for chassis internal routing. Each Compute Node is installed in tray and can be hot swapped without any impact to other nodes.

When you add or remove components from Compute Node tray, make sure your cables are routed correctly before plug in the node tray back to chassis. Use caution to make sure no cables or wires are pinched and that the airflow from the fans is not blocked. Use the figures below to determine the correct cable routing.

## For cable connection inside Node tray



**Yellow Lines:** Fan cable connection  
**Red Line:** Mother board power cable connection  
**Blue line:** Fan control signal cable connection

Figure 18. Cable Routing inside Node tray

## Removing and Installing the Front Bezel

### Removing the Front Bezel

If your system includes a front bezel, follow these steps to remove the front bezel:

1. Unlock the bezel if it is locked.
2. Remove the left end of front bezel from rack handle (see letter **A**).
3. Rotate the front bezel anticlockwise to release the latches on the right end from the rack handle (see letter **B**).

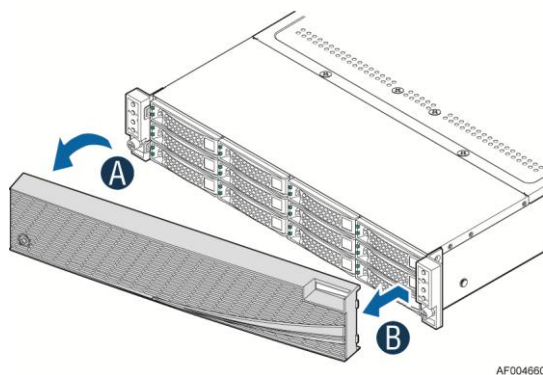


Figure 19. Removing the Front Bezel

## Installing the Front Bezel

*Note:* Before installing the bezel, you must install the rack handles.

1. Lock the right end of the front bezel to the rack handle (see letter **A**).
2. Rotate the front bezel clockwise till the left end clicks into place (see letter **B**).
3. Lock the bezel if needed.

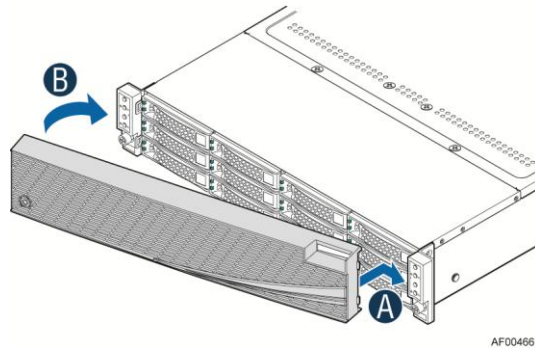


Figure 20. Installing the Front Bezel

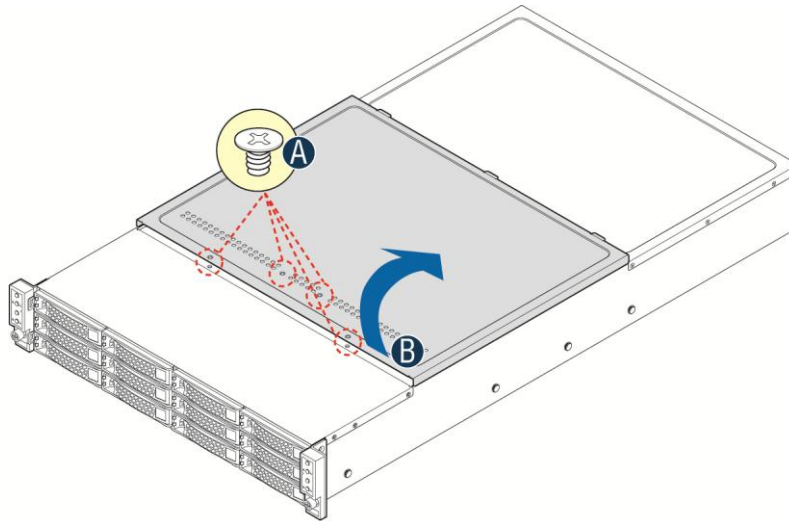
## Removing and Installing the System Top Cover

### Removing the System Top Cover

The server system must be operated with the system cover in place to ensure proper cooling. You will need to remove the top cover to add or replace components (backplane, main power cables, power distribution board) inside of the server. Before removing the top cover, power down the server and unplug all peripheral devices and the power cable(s).

*Note:* A non-skid surface or a stop behind the server system may be needed to prevent the server system from sliding on your work surface.

1. Observe the safety and ESD precautions at the beginning of this book.
2. Turn off all peripheral devices connected to the server. Turn off the server.
3. Disconnect the power cord.
4. Remove the screws (see letter **A**).
5. Lift upwards from B edge (see letter **B**).

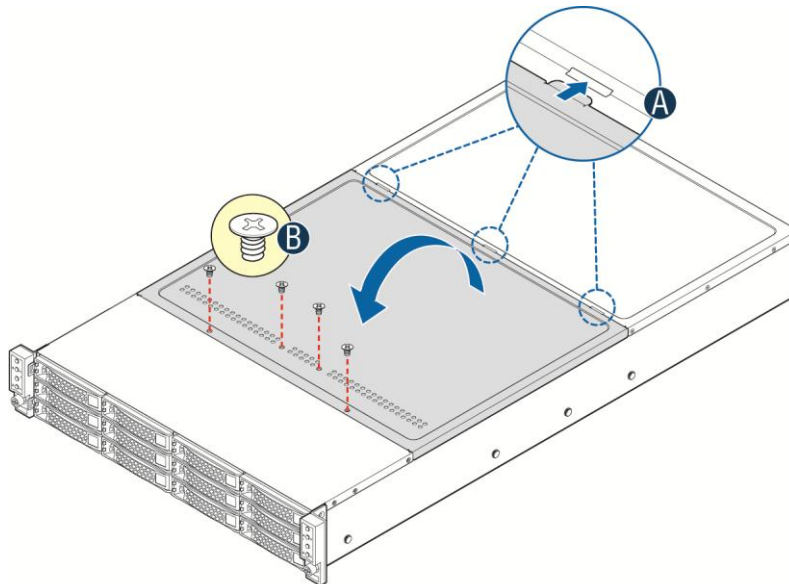


AF004902

Figure 21. Removing the System Top Cover

## Installing the System Cover

1. Place system cover onto the chassis and engage recessed edge at rear of cover (see letter **A**).
2. Put down the cover from B edge and tighten the screw at front (see letter **B**).



AF005080

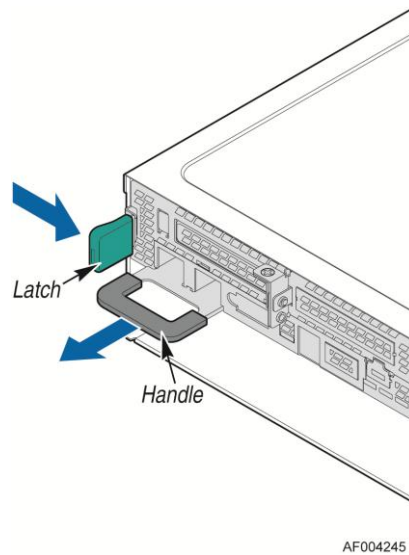
Figure 22. Installing the System Cover

## Removing and Installing the Compute Node Tray

Each Compute Node tray is identical in the chassis. They are designed for either “cold” or “hot” swappable. The Node Tray can only be plugged from rear chassis.

## Removing the Node Tray

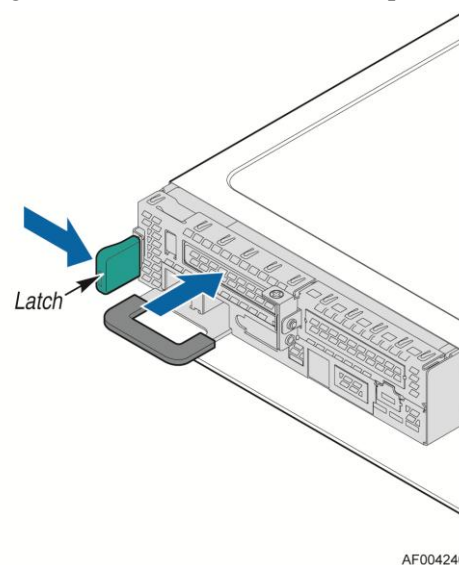
1. Carefully push in the latch on the left hand of Node Tray.
2. Pull the handle with the Node Tray while still press the latch.



AF004245  
Figure 23. Pulling out the Node Tray

## Installing the Node Tray

1. Align and slide in the Node Tray to the chassis rail.
2. Push the Node Tray along the rail until the latch locks in position with a “tick”.



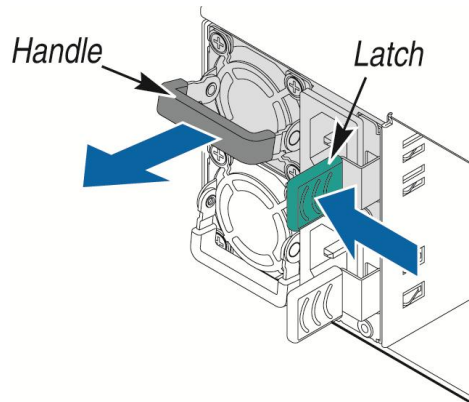
AF004246  
Figure 24. Installing the Node Tray

## Removing and Installing the Redundant Power Supply Unit

The system equipped with two CRPS for redundancy. Each of them can be hot swappable.

## Removing the Power Supply Unit

1. Carefully push in the latch on the right hand of PSU.
2. Pull the handle with the PSU while still press the latch.

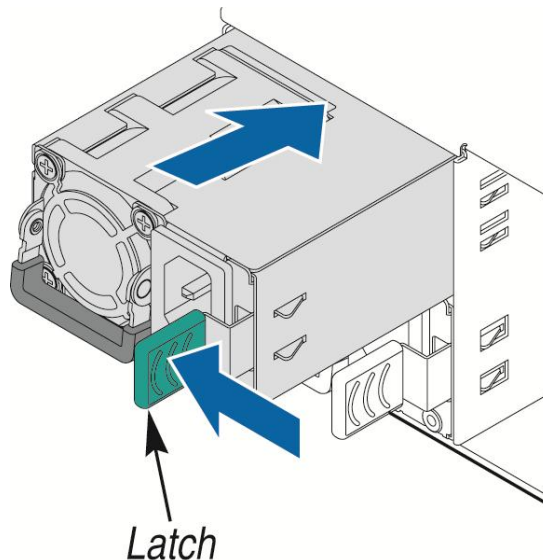


AF004247

Figure 25. Removing the PSU

## Installing the Power Supply Unit

1. Align and slide in the PSU to the power cage rail.
2. Push the PSU along the rail until the latch locks in position with a “tick” sound.



AF004248

Figure 26. Installing the PSU

## Removing and Installing the Node Tray Air Duct

Always operate your server system with the air duct in place. The air duct is required for proper airflow within the server system.

## Removing the Air Duct

1. lift the rear edge of the air duct.
2. Remove the air duct when it is about 45 degrees to the node tray.

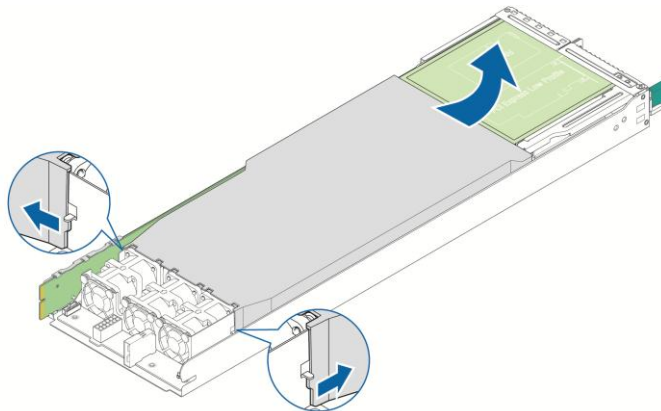


Figure 27. Removing the Air Duct

## Installing the Air Duct

1. Put the A edge of air duct down to fan set edge first with 45 degrees (see letter **A**).
2. Then slowly put down the B edge of air duct down until the air duct surface is aligned with tray side wall. (see letter **B**)

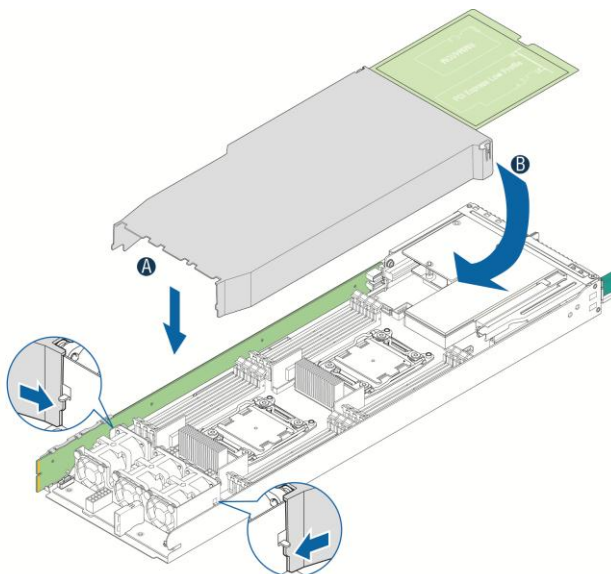


Figure 28. Installing the Air Duct



## Transparent Mylar Installation

In case IOM carrier on slot2 or PCIe add-in card on riser slot 1 is installed, the transparent Mylar\* attached to the air duct must be installed in between add-in card and rear IO bracket for isolation.

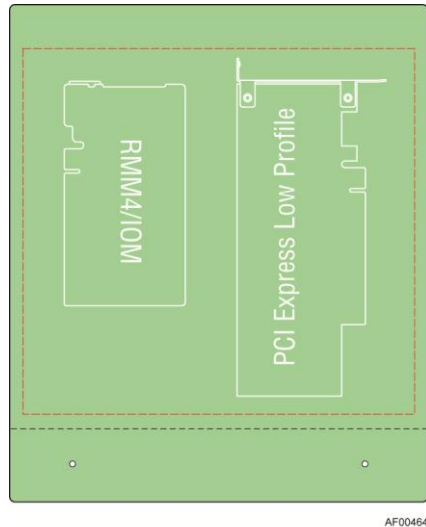


Figure 29. Transparent Isolation Film for Air Duct

## Removing and Installing Processor

The heatsink has thermal interface material (TIM) on the underside of it. Use caution so that you do not damage the thermal interface material. Use gloves to avoid sharp edges.

### Removing Processor Heatsink(s)

The heatsink is attached to the server board/processor socket with captive fasteners. Using a #2 Phillips\* screwdriver, loosen the four screws located on the heatsink corners in a diagonal manner using the following procedure:

1. Using a #2 Phillips\* screwdriver, start with screw 1 and loosen it by giving it two rotations and stop (see letter **A**). (IMPORTANT: Do not fully loosen.)
2. Proceed to screw 2 and loosen it by giving it two rotations and stop (see letter **B**). Similarly, loosen screws 3 and 4. Repeat steps A and B by giving each screw two rotations each time until all screws are loosened.
3. Lift the heatsink straight up (see letter **C**).

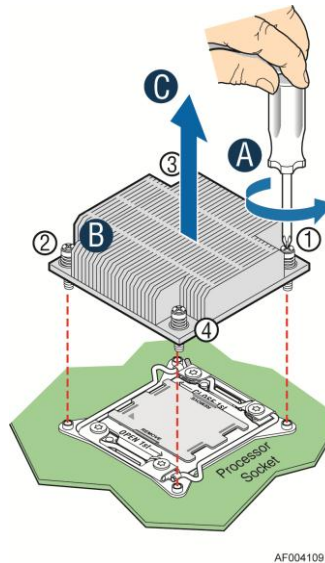


Figure 30. Removing Processor Heatsink

## Installing the Processor

**Caution:** Processor must be appropriate: You may damage the server board if you install a processor that is inappropriate for your server. For a web link to the list of compatible processor(s), see [Additional Information and Software](#) on page vi.

**Caution:** ESD and handling processors: Reduce the risk of electrostatic discharge (ESD) damage to the processor by doing the following:

1. Touch the metal chassis before touching the processor or server board. Keep part of your body in contact with the metal chassis to dissipate the static charge while handling the processor.
2. Avoid moving around unnecessarily.

**Caution:** Protective socket cover needs to be removed for proper cooling of the processor; failure to remove the cover could result in damage to the system.

1. Open the Socket Lever. Push down the lever handle on the **OPEN 1st** side and away from the socket to release it. (see letter **A**). Repeat the steps to release the lever on the other side (see letter **B**).

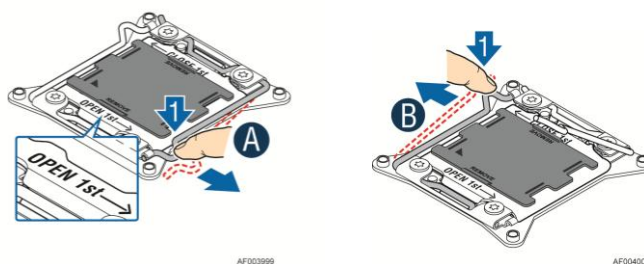
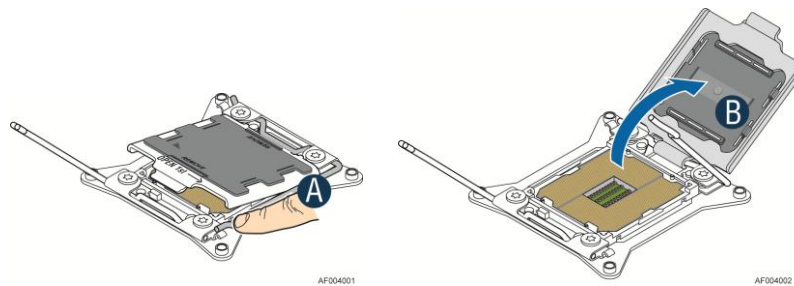


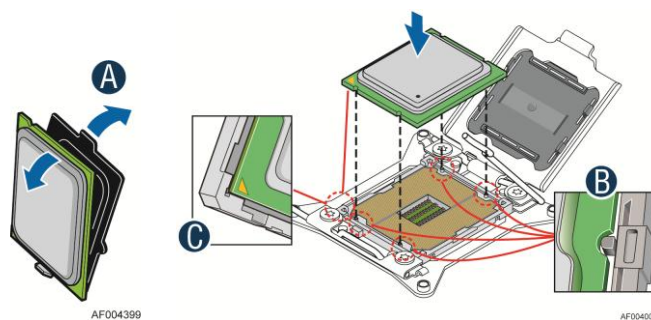
Figure 31. Installing Processor – Open the Socket Lever

2. Open the Load Plate. Press the locking lever slightly to raise the load plate (see letter **A**). Open the load plate all the way (see letter **B**).



**Figure 32. Installing Processor – Open the Load Plate**

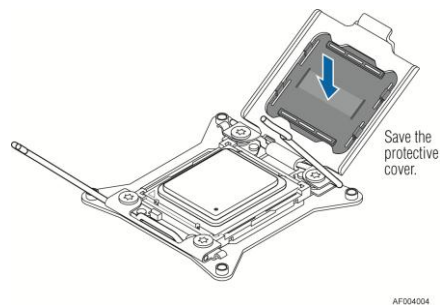
3. Install the Processor. Take the processor out of the box and remove the protective shipping cover (see letter **A**). Orient the processor with the socket so that the processor cutouts match the four orientation posts on the socket (see letter **B**). Note location of gold key at corner of processor (see letter **C**).



**Figure 33. Installing Processor – Install the Processor**

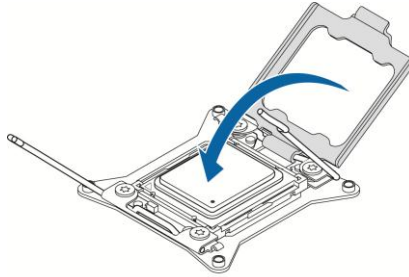
***Note:** The underside of the processor has components that may damage the socket pins if installed improperly. Processor must align correctly with the socket opening before installation. **DO NOT DROP** processor into the socket!*

4. Remove the Cover. Press the cover to remove it. Save the protective cover.



**Figure 34. Installing Processor – Remove the Cover**

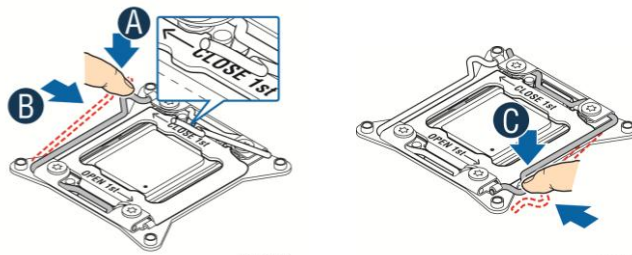
5. Close the Load Plate. Carefully lower the load plate over the processor.



AF003937

**Figure 35. Installing Processor – Close the Load Plate**

6. Latch the Locking Lever. Push down on the locking lever on the CLOSE 1st side (see letter **A**). Slide the tip of the lever under the notch in the load plate (see letter **B**). Make sure the load plate tab engages under the socket lever when fully closed. Repeat the steps to latch the locking lever on the other side (see letter **C**). Latch the levers in the order as shown.



AF003938

AF003939

**Figure 36. Installing Processor – Latch the Locking Lever**

## Installing Processor Heatsink(s)

**Note:** The processor heatsink for CPU1 and CPU2 are different. FXXCA84X106HS is for CPU1, while FXXEA84X106HS is for CPU2. Mislocating the heatsink will cause serious thermal damage!

1. Remove the protective film on the TIM if present (see letter **A**).
2. Align heatsink fins to the front and back of the chassis for correct airflow. Airflow goes from front-to-back of chassis (see letter **B**).

Each heatsink has four captive fasteners and should be tightened in a diagonal manner using the following procedure:

3. Using a #2 Phillips\* screwdriver, start with screw 1 and engage screw threads by giving it two rotations and stop (see letter **C**). (Do not fully tighten.)
4. Proceed to screw 2 and engage screw threads by giving it two rotations and stop (see letter **D**). Similarly, engage screws 3 and 4.
5. Repeat steps C and D by giving each screw two rotations each time until each screw is lightly tightened up to a maximum of 8 inch-lbs torque (see letter **E**).

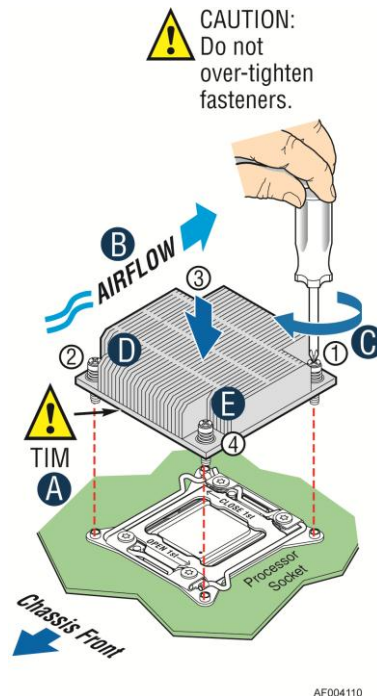


Figure 37. Installing Processor Heatsink

## Removing the Processor

1. Remove the processor heatsink, see Figure 30.
2. Open the socket lever, see Figure 31.
3. Open the load plate, see Figure 32.
4. Remove the processor.

## Installing and Removing Memory

### Installing Memory

1. Locate the DIMM sockets. Make sure the clips at either end of the DIMM socket(s) are pushed outward to the open position (see letter **A**).
2. Holding the DIMM by the edges, remove it from its anti-static package. Position the DIMM above the socket. Align the notch on the bottom edge of the DIMM with the key in the DIMM socket (see letter **B**).
3. Insert the bottom edge of the DIMM into the socket (see letter **C**). When the DIMM is inserted, push down on the top edge of the DIMM until the retaining clips snap into place (see letter **D**). Make sure the clips are firmly in place (see letter **E**).

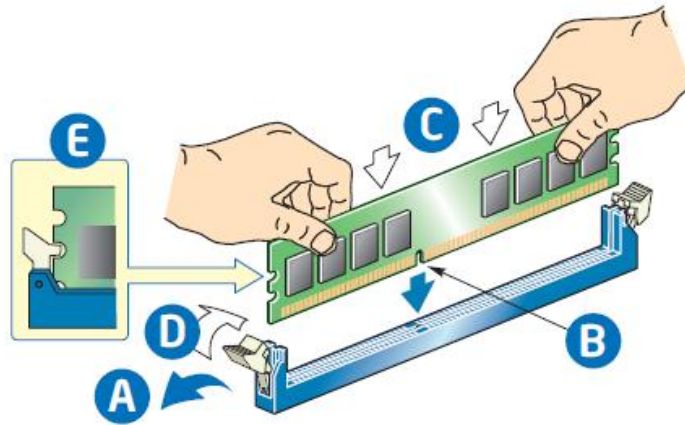


Figure 38. Installing Memory

## Removing Memory

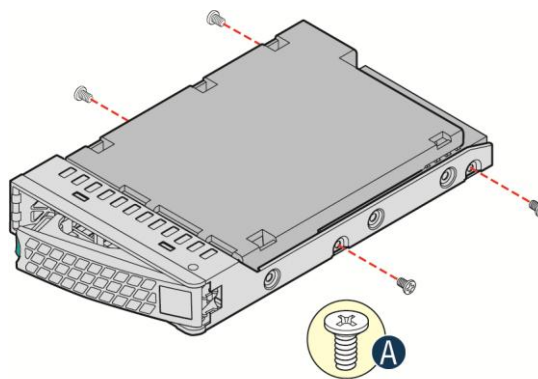
1. Locate the DIMM sockets. Gently spread the retaining clips at each end of the socket. The DIMM lifts from the socket.
2. Holding the DIMM by the edges, lift it from the socket, and store it in an anti-static package.

## Installing and Removing Hot-swap Hard Drive

**Caution:** If you don't install all drives, empty drive bays must be occupied by carriers with plastic drive blank provided to maintain proper system cooling.

### Installing a Hard Disk Drive into 3.5" Hard Drive Carrier

1. Remove the four screws securing the HDD interface bracket and install 3.5" HDD with screws shown in letter **A**.



AF004461

Figure 39. Installing Hard Disk Drive – installing 3.5" HDD to carrier

2. With the lever open, insert the hard disk drive assembly into the chassis (see letter **A**). Push in the lever to lock it into place (see letter **B**).

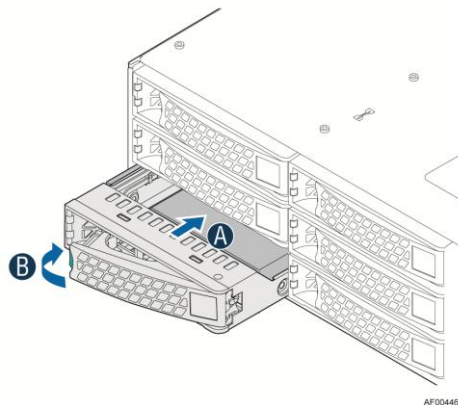


Figure 40. Installing Hard Disk Drive – Inserting 3.5" HDD assembly

## Installing a Hard Disk Drive into 2.5" Hard Drive Carrier

1. Remove the four screws securing the plastic drive blank from the 2.5" HDD carrier and install the 2.5" HDD with screws shown in below drawing.

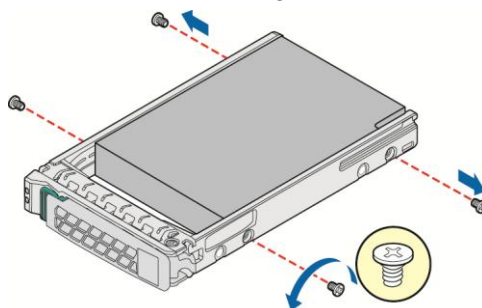


Figure 41. Installing Hard Disk Drive – Installing 2.5" HDD to Carrier

2. With the lever open, insert the hard disk drive assembly into the chassis and push in the lever to lock it into place (See letter **F**).

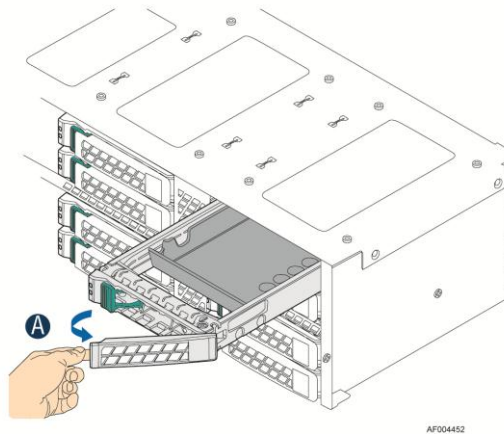


Figure 42. Installing Hard Disk Drive – Inserting 2.5" HDD Assembly

## Installing and Removing the PCIe Riser Assembly On Riser Slot 1

### Installing the PCI Riser Assembly and add-in card

1. Install the riser to bracket by fastening screws in letter **A**

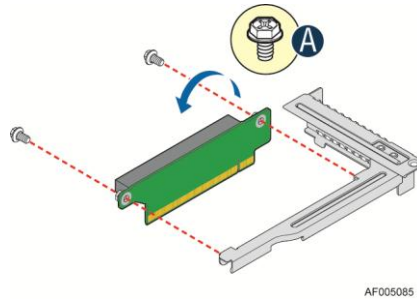


Figure 43. Assembly Riser with Bracket

2. Plug in the PCIe add-in card to slot on riser (letter **C**) and fix the card bracket to assembly rear panel (letter **B**).

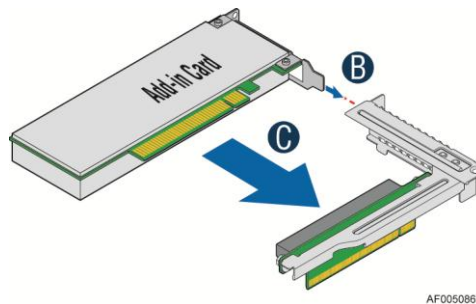


Figure 44. Installing Riser 1 Assembly

3. Plug in the assembly to riser slot on baseboard (see letter **D**) and fasten the screw (letter **E**).



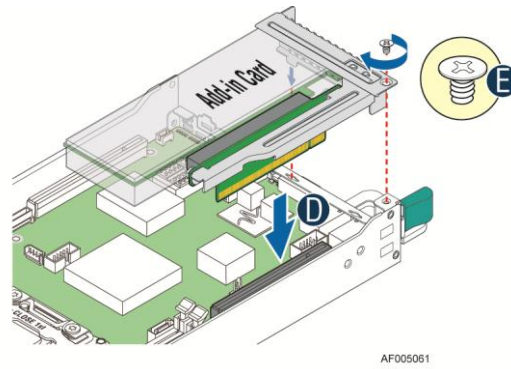


Figure 45. Installing a PCI Adapter to PCI Riser 1 Assembly

## Removing a PCI Add-in Card

You must remove the IOM carrier assembly together with PCIe add-in card riser assembly.

1. Remove IOM carrier assembly (letter **A**) by loosening the screws (letter **B** and **C**).

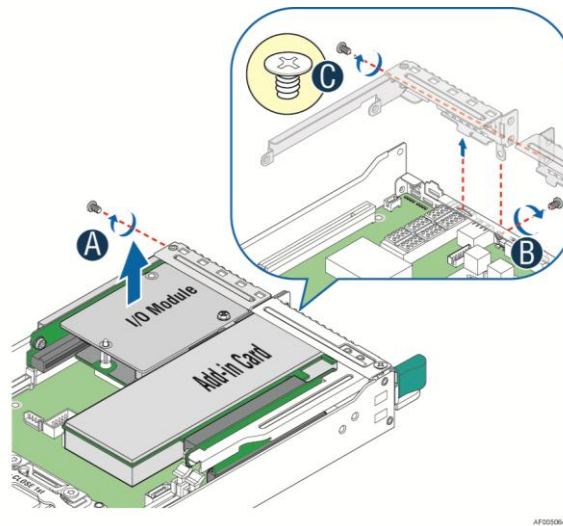
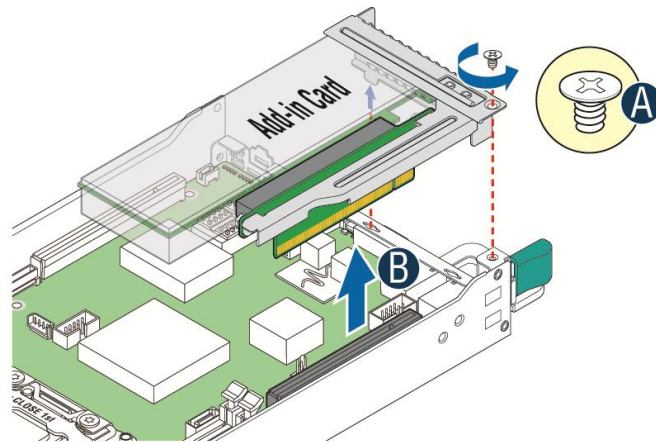


Figure 46. Removing IOM assembly

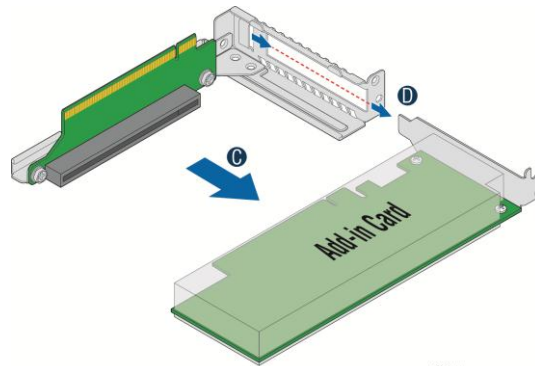
2. Remove PCIe riser assembly (letter **B**) by loosening the screw (letter **A**)



AF005071

**Figure 47. Removing PCIe add-in card assembly**

3. Remove PCIe add-in card from slot (letter C) and bracket (letter D).



AF005072

**Figure 48. Removing PCIe add-in card from riser slot**

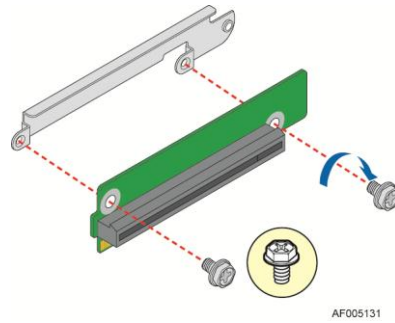
*Note: Make sure that all empty add-in card slots have filler panels installed.*

## On Riser Slot 2

### Installing IOM riser and carrier assembly

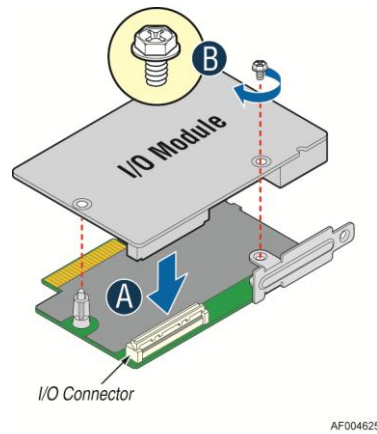
The IOM riser and carrier assembly are provided as optional accessory. This assembly provides the support to Intel® RMM4 dedicated NIC port and IO module.

1. Install the riser to bracket by fastening screws in below drawings.



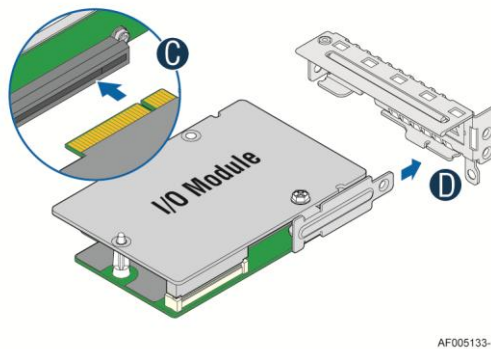
**Figure 49. Installing the Riser to Bracket**

2. Install IO module to IOM carrier using screw in letter **B**.



**Figure 50. Installing IO Module**

3. Install the whole bracket to IOM riser slot indicated by letter **C**. Then install rear panel indicated by letter **D**.



**Figure 51. Installing Assembly to Riser**

4. Fastening the assembly to chassis (letter **F**) with three screws in letter **E** and **G**.

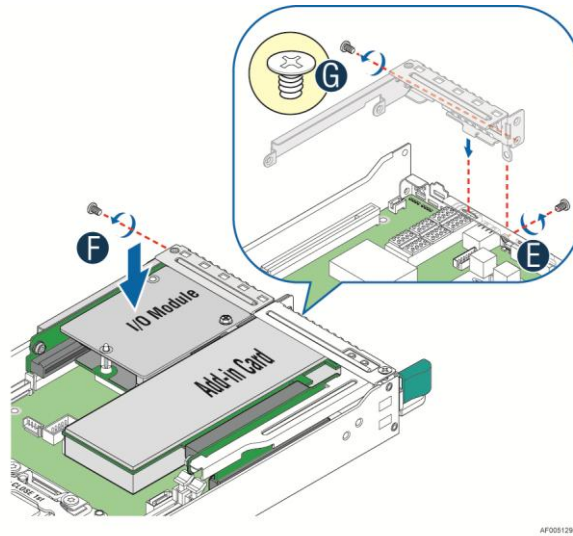


Figure 52. Fastening the Assembly in Chassis

## Removing IO module

1. Removing screws marked as letter **B** and **C**. Remove IOM assembly from chassis (letter **A**).

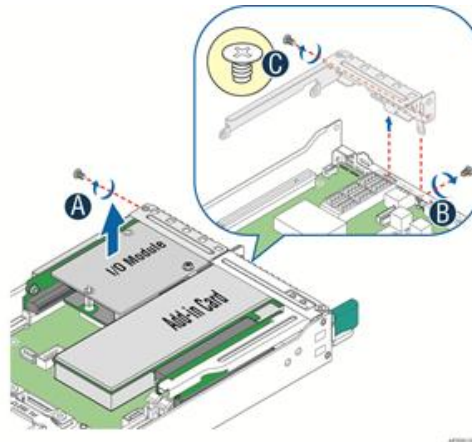
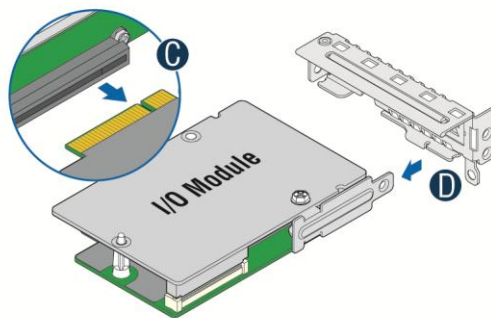


Figure 53. Unscrewing IOM Assembly

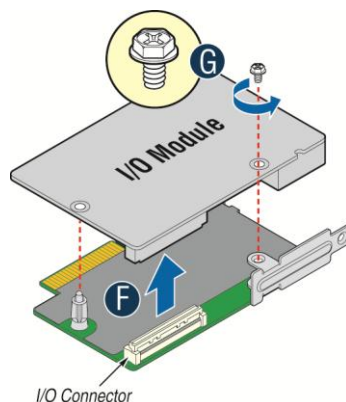
2. Remove the IO module carrier from the riser as letter **D** and bracket as letter **E**.



AF005133-2

**Figure 54. Removing IOM Assembly from Chassis**

3. Release screw in letter **G**, and remove IO module from assembly as letter **F**.



AF004630

**Figure 55. Removing IO Module from Assembly**

## Installing and Removing the Intel® Remote Management Module 4 Lite

### Installing the Intel® RMM4 Lite

Locate the RMM4 Lite connector next to RISER SLOT\_2, carefully pick up the Intel® RMM4 Lite module, match the alignment pin of the module and the connector on server board, and press to install.

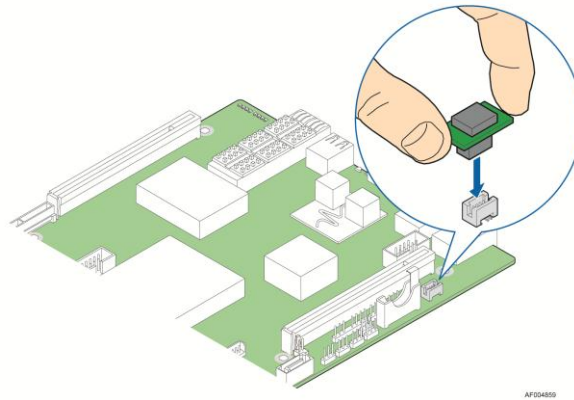


Figure 56. Installing the Intel® RMM4 Lite

## Installing the Intel® Storage Upgrade Key

### Installing the Intel® Storage Upgrade Key

The server board supports various Intel® Storage Upgrade Keys for different storage configuration. Below is the list of supported Storage Upgrade Key.

Table 5. Intel® RAID C600-A Storage Upgrade Key Options for S2600WP

Intel® RAID C600 Upgrade Key Options (Intel Product Codes)	Key Color	Description
Default – No option key installed	N/A	4 Port SATA with Intel® ESRT2 RAID 0,1,10 and Intel® RSTe RAID 0,1,5,10
RKSATA4R5	Black	4 Port SATA with Intel® ESRT2 RAID 0,1, 5, 10 and Intel® RSTe RAID 0,1,5,10
RKSAS4	Green	4 Port SAS with Intel® ESRT2 RAID 0,1, 10 and Intel® RSTe RAID 0,1,10
RKSAS4R5	Yellow	4 Port SAS with Intel® ESRT2 RAID 0,1, 5, 10 and Intel® RSTe RAID 0,1,10

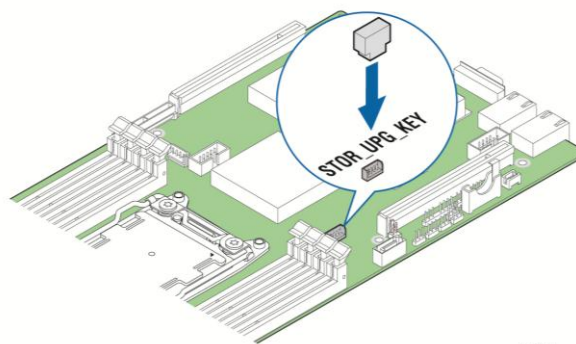


Figure 57. Installing the Intel® Storage Upgrade Key

## Installing and Removing the Bridge Board

### Removing the Bridge Board

1. Release the fixing screws (letter **A**) on the bridge board.
2. Straightly lift up bridge board to remove from the server board.

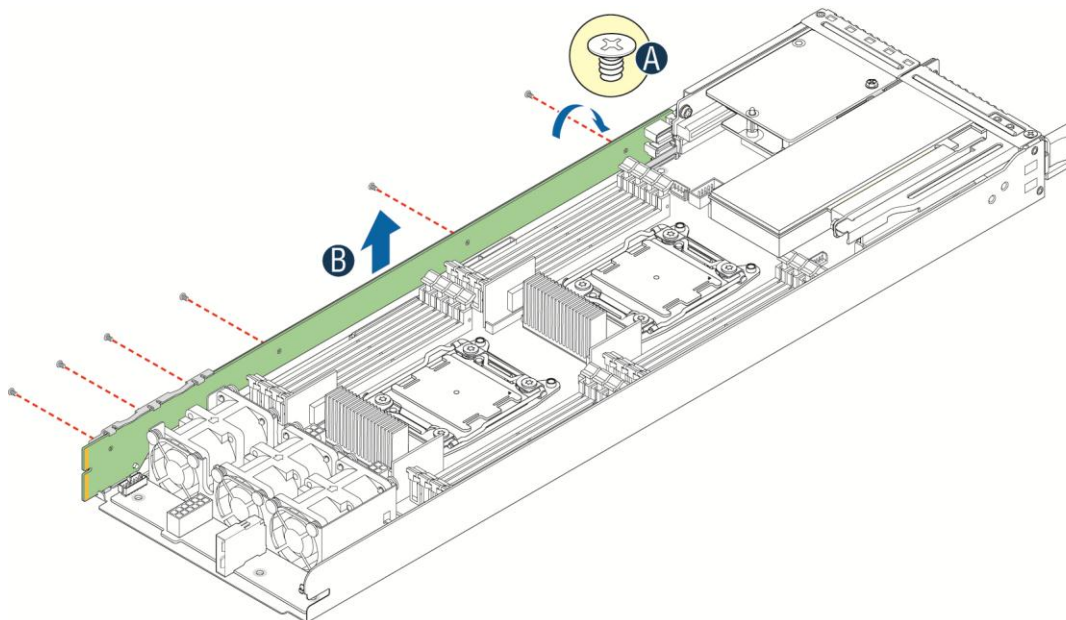
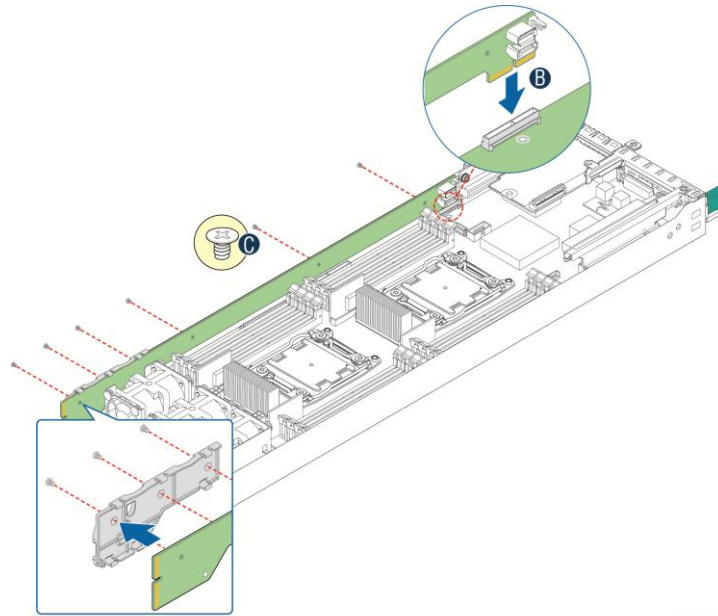


Figure 58. Removing the bridge board

### Installing the Bridge Board

1. Attach the plastic holder to the front end of bridge board (letter **A**).
2. Plug the rear end of bridge board to the slot on base board (letter **B**).
3. Secure the bridge board with screws (see letter **C**) to the tray side wall.



AF004908

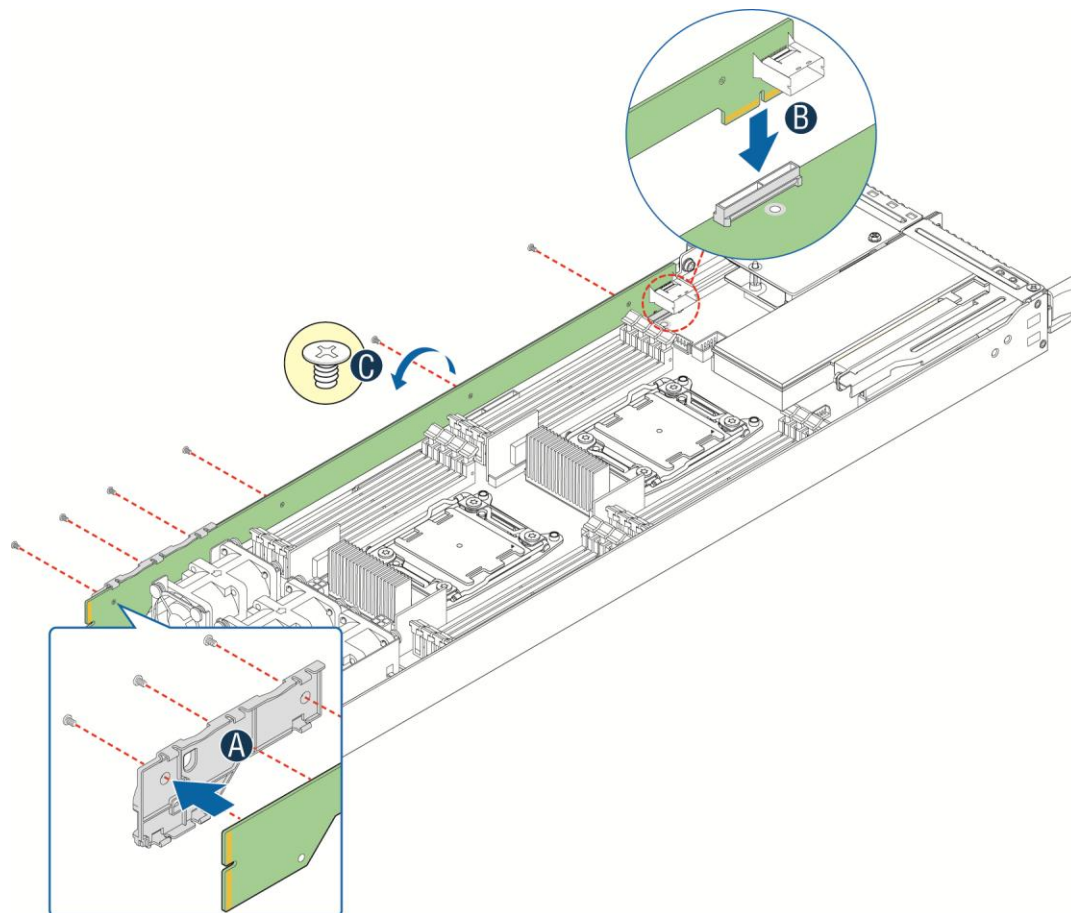
**Figure 59. Installing the Bridge Board**

## Installing Spare Bridge Board with SAS 6G Solution

### Replacing Node Bridge Board

1. Remove pre-installed bridge board from node tray, see Figure 58.
2. Plug in the card edge of spare bridge board to bridge slot, see letter **B** of Figure 63.
3. Align the plastic clip at the front of the board, see letter **A**.
4. Fasten the bridge board with six screws, see letter **C**.



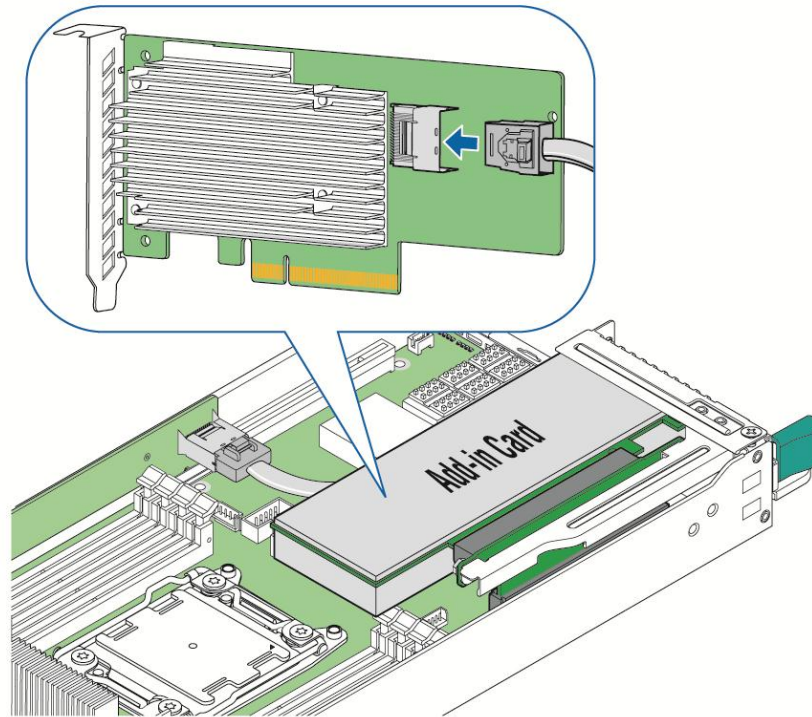


AF005670

Figure 60. Installing Spare Bridge Board

## Connecting Mini SAS Cable between Bridge Board and RAID/SAS Controller

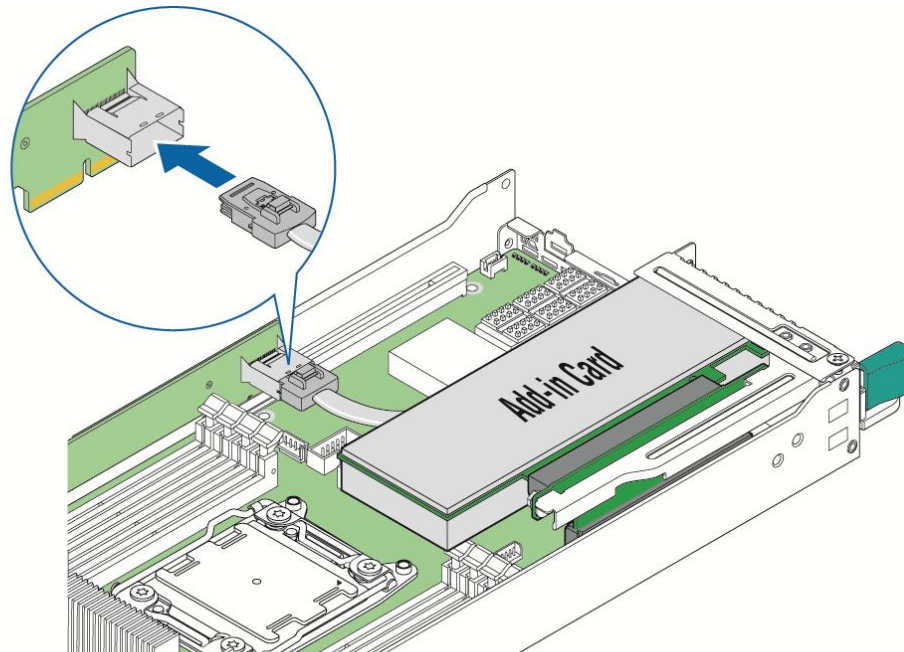
1. Use designated MiniSAS cable shipped with Spare Bridge Board.
2. Plug in Mini SAS cable to the RAID/SAS Controller Card firstly.



AF005672

**Figure 61. Connecting Mini SAS Cable to RAID/SAS Controller**

3. Then plug in MiniSAS cable to the Mini SAS port on the bridge board.



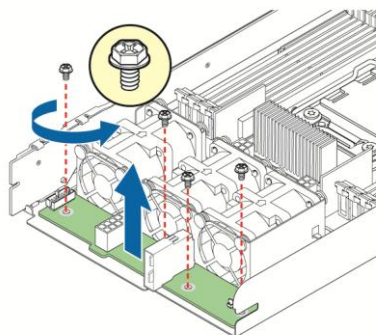
AF005671

**Figure 62. Connecting Mini SAS Cable to Bridge Board**

## Installing and Removing the Node Power Docking Board

### Removing the NPD Board

5. Disconnect all cables from the NPD board.
6. Remove the four screws to release the NPD board from tray base.
7. Straightly lift up the NPD board to remove from the tray base.

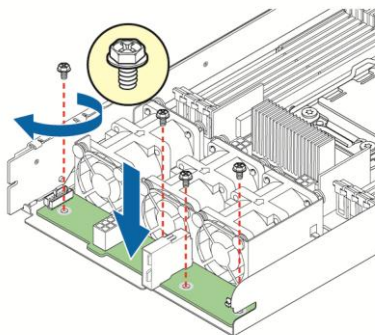


AF004906

Figure 63. Removing the NPD board

### Installing the NPD Board

1. Place the NPD board into the tray base.
2. Secure the NPD board with four screws.
3. Connect all cables between NPD board and server board.



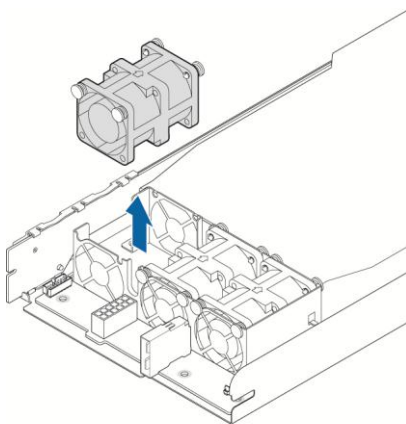
AF005132

Figure 64. Installing the NPD board

## Installing and Removing the Fan set in node tray

### Removing the Fan set

1. Disconnect Fan cable from the NPD board.
2. Remove Fan set from dock.

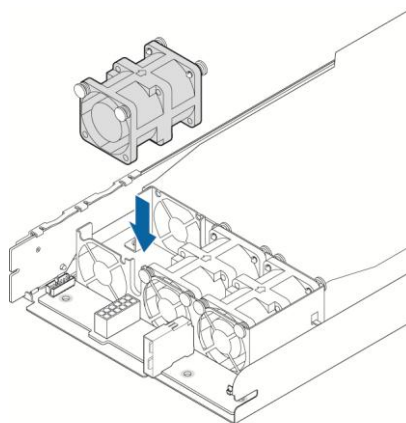


AF004905

Figure 65. Removing the Node Fan Set

### Installing the Fan set

1. Place the Fan set into dock.
2. Connect the Fan set cable to connector on NPD board.



AF004905

Figure 66. Installing the Server Board

## Installing and Removing the 2.5" Backplane Board

### Removing the 2.5" Backplane board

1. Disconnect all cables from the backplane board.

2. Remove the four screws to release the backplane board from chassis.
3. Straightly lift up the backplane board to remove from the chassis holder.

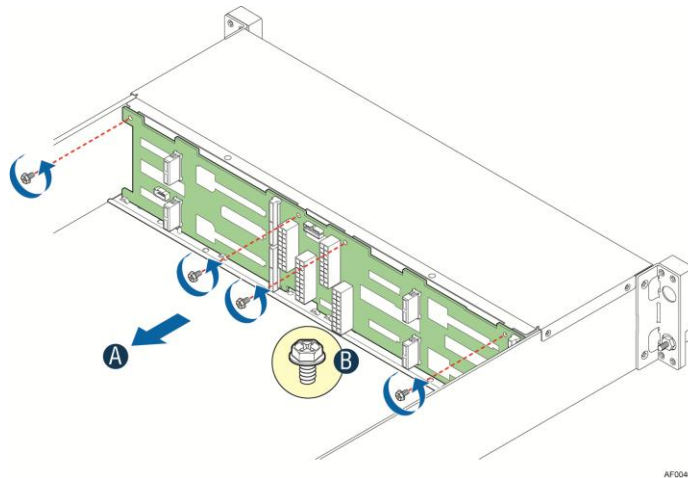


Figure 67. Removing the 2.5" Backplane Board

## Installing the 2.5" Backplane board

1. Place the backplane board into the clamps on chassis base.

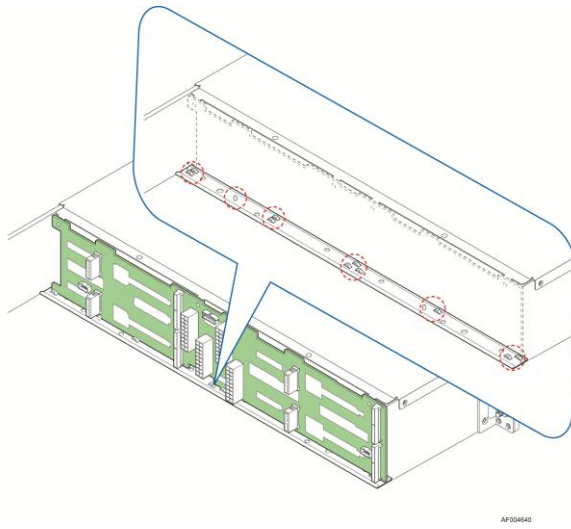
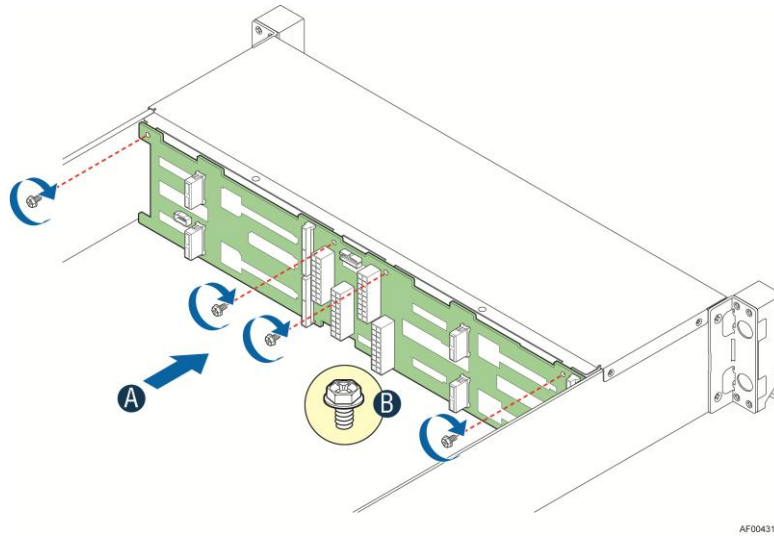


Figure 68. Align the Backplane to the Clamps on the Chassis Base

2. Secure the backplane board with four screws (see letter **B**).



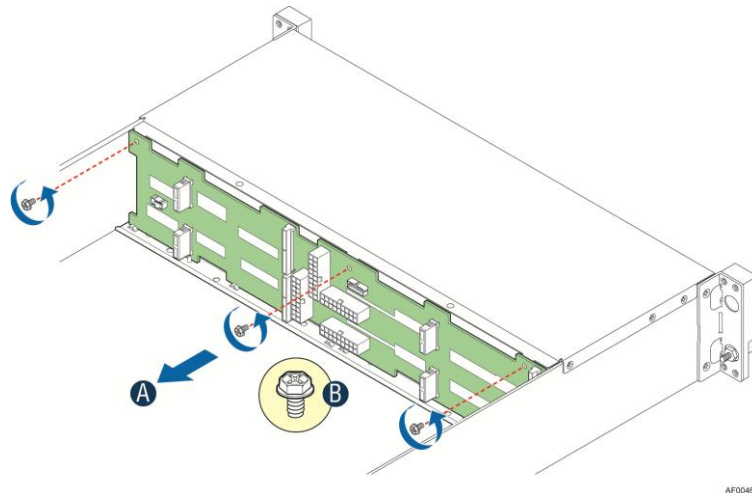
**Figure 69. Installing the 2.5" Backplane Board**

3. Reconnect all cables to the backplane.

## Installing and Removing the 3.5" Backplane Board

### Removing the 3.5" Backplane board

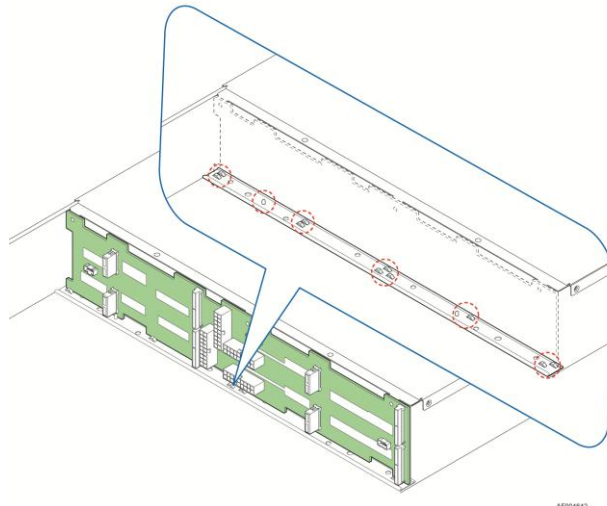
1. Disconnect all cables from the backplane board.
2. Remove the three screws to release the backplane board from chassis.
3. Straightly lift up the backplane board to remove from the chassis holder.



**Figure 70. Removing the 3.5" Backplane Board**

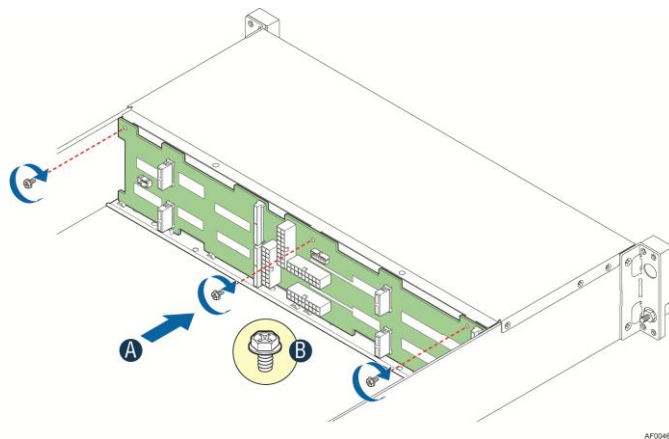
### Installing the 3.5" Backplane board

1. Place the backplane board into the clamps on chassis base.



**Figure 71. Align the Backplane to the Clamps on the Chassis Base**

2. Secure the backplane board with three screws (see letter **B**).



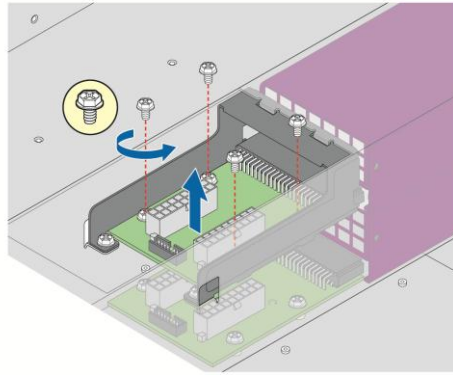
**Figure 72. Installing the 3.5" Backplane Board**

3. Reconnect all cables to the backplane.

## Installing and Removing the Power Distribution Board

### Removing the PDB

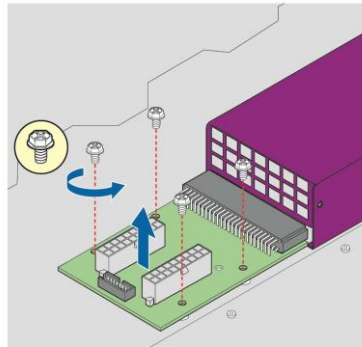
1. Remove top cover and power supply units from chassis.
2. Remove power cables and PMBus cable between PDB and backplane.
3. Release the four screws of upper PDB board and remove it.



AF004696

**Figure 73. Removing the upper PDB**

4. Release the four screws of lower PDB board and remove it.

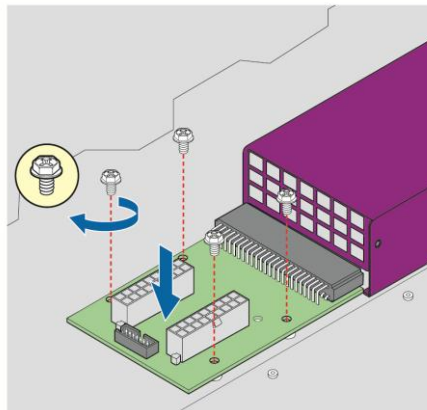


AF004697

**Figure 74. Removing the lower PDB**

## Installing the PDB

1. Remove top cover and power supply units from chassis.
2. Install the lower PDB first and secure with four screws.

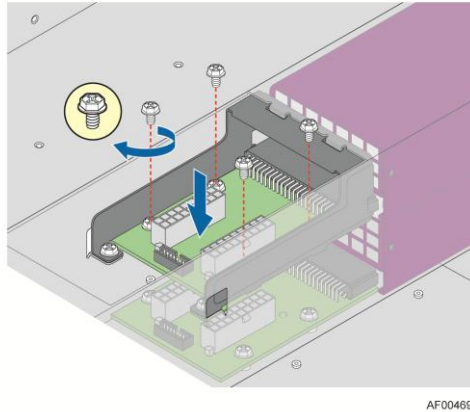


AF004694

**Figure 75. Installing the lower PDB**

3. Connect the power cables and PMBus cable to lower PDB.
4. Install the upper PDB and secure with four screws.





**Figure 76. Installing the upper PDB**

5. Connect power cables and PMBus cable to upper PDB.
6. Close top cover and install power supply units.

## Replacing the Backup Battery

The lithium battery on the server board powers the RTC for up to 10 years in the absence of power. When the battery starts to weaken, it loses voltage, and the server settings stored in CMOS RAM in the RTC (for example, the date and time) may be wrong. Contact your customer service representative or dealer for a list of approved devices.

**Warning:** *Danger of explosion if battery is incorrectly replaced. Replace only with the same or equivalent type recommended by the equipment manufacturer. Discard used batteries according to manufacturer's instructions.*

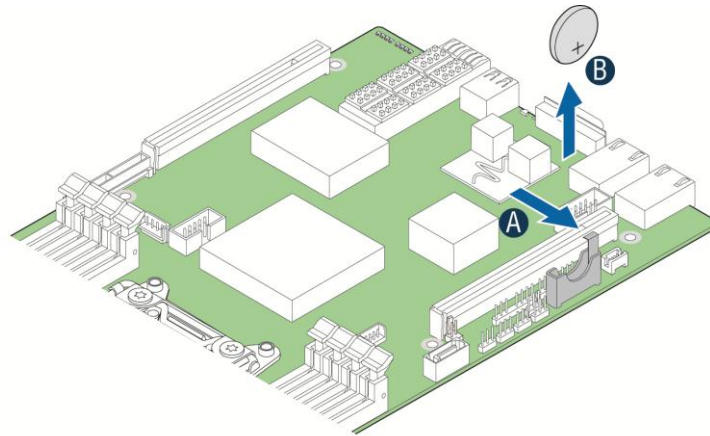
**Advarsel:** Lithiumbatteri - Eksplosionsfare ved fejlagtig håndtering. Udskiftning må kun ske med batteri af samme fabrikat og type. Levér det brugte batteri tilbage til leverandøren.

**Advarsel:** Lithiumbatteri - Eksplosjonsfare. Ved utskifting benyttes kun batteri som anbefalt av apparatfabrikanten. Brukt batteri returneres apparatleverandøren.

**Varning:** Explosionsfara vid felaktigt batteribyte. Använd samma batterityp eller en ekvivalent typ som rekommenderas av apparattillverkaren. Kassera använt batteri enligt fabrikantens instruktion.

**Varoitus:** Paristo voi räjähtää, jos se on virheellisesti asennettu. Vaihda paristo ainoastaan laitevalmistajan suosittelemaan tyyppiin. Hävitä käytetty paristo valmistajan ohjeiden mukaisesti.

1. Locate the battery on the server board.
2. Gently press the metal clip as shown to release the battery (see letter **A**).
3. Remove the battery from the plastic socket (see letter **B**).



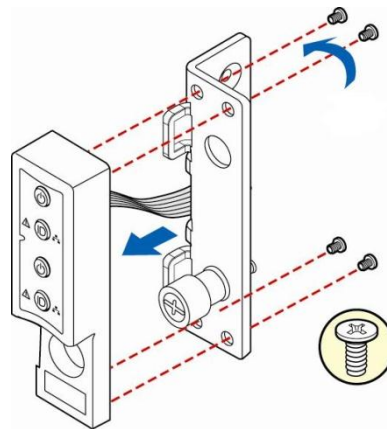
AF004858

**Figure 77. Replacing the Backup Battery**

## Replacing the Front Control Panel board

### Removing the Front Control Panel

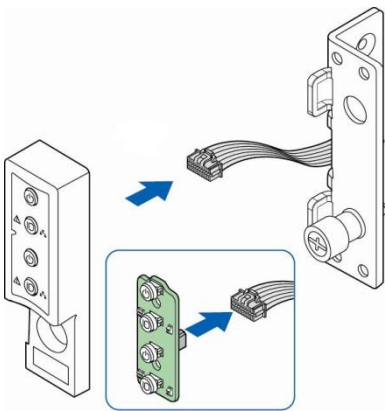
1. Loosen and remove the four screws out the back of handle. Be careful of the control panel cable on the back.



AF004709

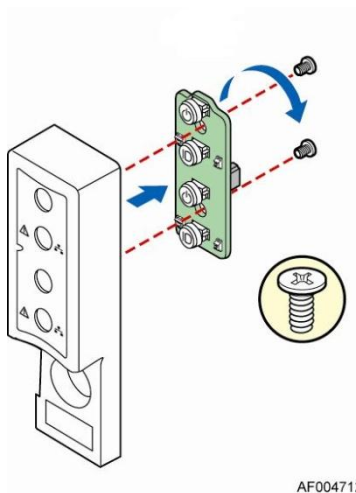
**Figure 78. Removing FP Assembly from Rack Handle**

2. Disconnect the cable from the control panel board.



**Figure 79. Disconnecting Control Panel Cable**

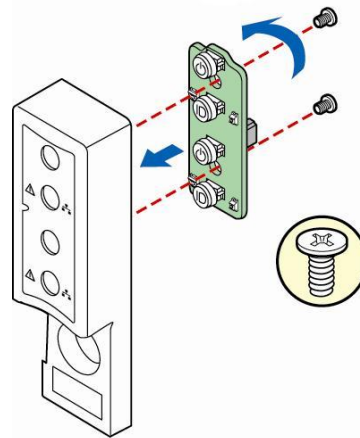
3. Loosen and remove the two screws from the back of control panel board, so the board can be removed.



**Figure 80. Removing Control Panel Board**

## Installing Front Control Panel Board

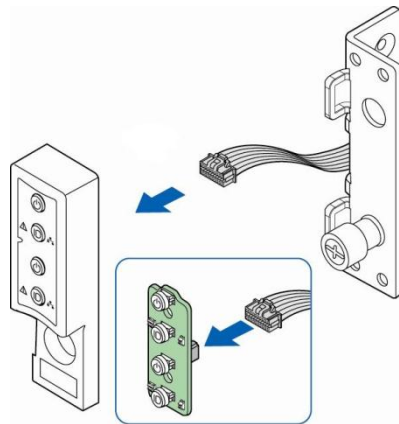
1. Install front control panel board to the panel shell.



AF004707

**Figure 81. Installing Control Panel Board**

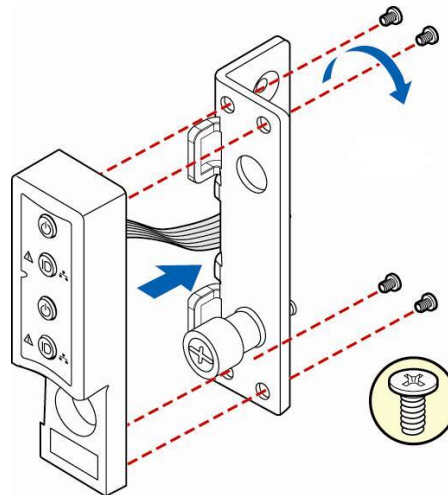
2. Connect the cable to the front panel board.



AF004708

**Figure 82. Connecting Cable to Front Panel Board**

3. Install front control panel assembly to chassis handle.



AF004710

**Figure 83. Installing Control Panel Assembly to Rack Handle**

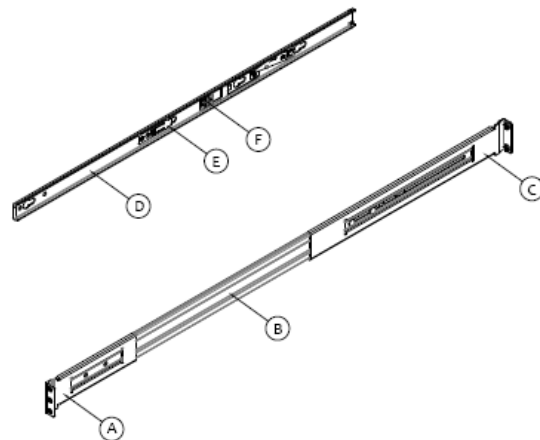
## Rack Mounting the Chassis

### Mounting the Chassis to Rack

The slide rail kit, which is bundled with Intel® Server System H2000WP family, is packed in the same shipping box together with the chassis. Following are the steps to install chassis to rack:

1. Preparation before slide installation.

#### RACK INSTALLATION – REMOVE INNER MEMBER FROM SLIDES



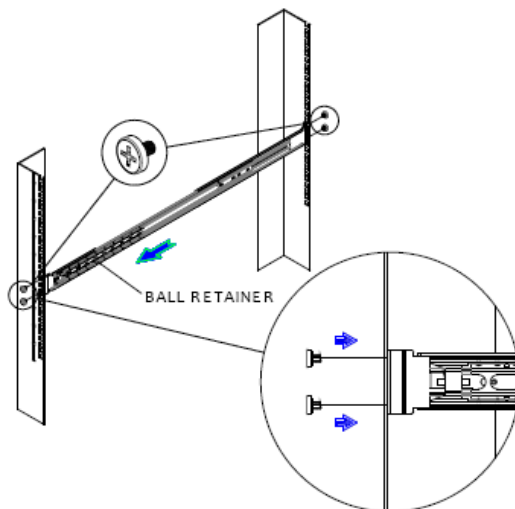
Slides components:  
 A - front bracket; B - outer member;  
 C - rear bracket; D - inner member;  
 E - safety locking pin; F - release button.

Pull release button to remove inner member from slides.

**Figure 84. Removing Inner Member from Slides**

2. Install slides to rack.

#### RACK INSTALLATION – INSTALL SLIDES TO RACK

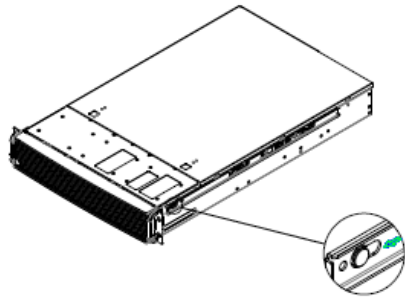


Align brackets to desired vertical position on rack and insert fasteners.  
 Move ball retainer to the front of slides.

**Figure 85. Installing Slides to the Rack**

3. Install inner members to chassis.

## CHASSIS INSTALLATION – INSTALL INNER MEMBER TO CHASSIS

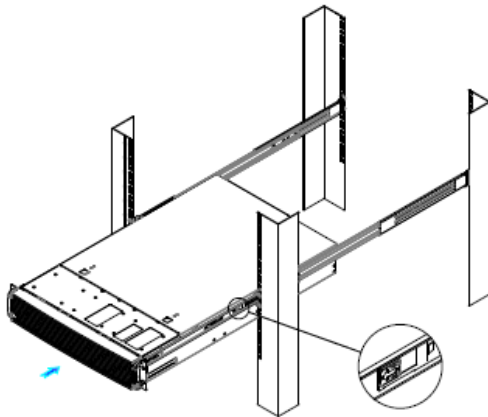


Align inner member key holes to standoffs on chassis, move inner member following the direction in left pictures.

**Figure 86. Installing Inner Member to the Chassis**

4. Install chassis to fixed slides.

## CHASSIS INSTALLATION – INSTALL CHASSIS TO FIXED SLIDES



Pull the release button in the inner member to release the lock and allow the chassis to close.

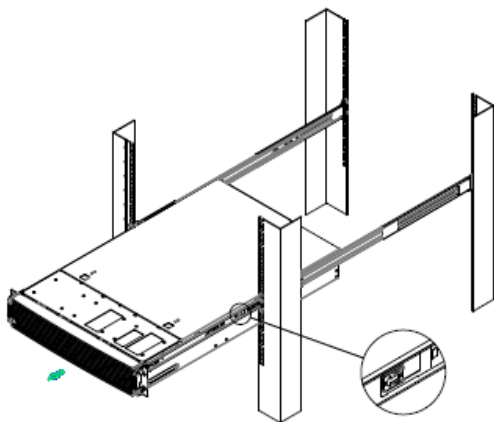
**Figure 87. Installing the Chassis to Rack**

## Removing the Chassis from Rack

Following the below steps to remove the chassis from Rack.

1. Extend slides.

## CHASSIS REMOVAL – EXTEND SLIDES

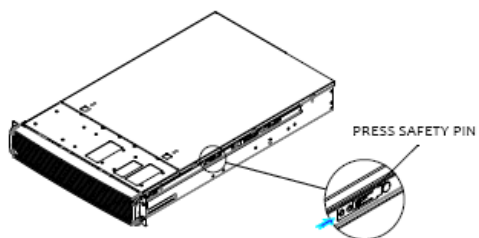


Fully extend the slides until it is in the locked position, pull the release button to release lock and disconnect inner member from slides.

**Figure 88. Extending Slides to Remove the Chassis**

2. Remove Inner Member from Chassis

## CHASSIS REMOVAL – REMOVE INNER MEMBER FROM CHASSIS



Press safety locking pin to release inner member from chassis.

**Figure 89. Removing the Inner Member from the Chassis**

## 3 Server Utilities

### Using the BIOS Setup Utility

This section describes the BIOS Setup Utility options, which is used to change server configuration defaults. You can run BIOS Setup with or without an operating system being present.

#### Starting Setup

To enter the BIOS Setup using a keyboard (or emulated keyboard); press the <F2> function key during boot time when the OEM or Intel® logo is displayed. The following message is displayed on the diagnostics screen and under the Quiet Boot logo screen:

Press <F2> to enter setup

When the Setup Utility is entered, the Main screen is displayed. However, serious errors cause the system to display the Error Manager screen instead of the Main screen.

#### Setup Navigation Keyboard Commands

The bottom right portion of the Setup screen provides a list of commands that are used to navigate through the Setup utility. These commands are displayed at all times.

Each Setup menu page contains a number of features. Each feature is associated with a value field, except those used for informative purposes. Each value field contains configurable parameters. Depending on the security option chosen and in effect by the password, a menu feature's value may or may not be changed. If a value cannot be changed, its field is made inaccessible and appears grayed out.

**Table 6. BIOS Setup: Keyboard Command Bar**

Key	Option	Description
<Enter>	Execute Command	The <Enter> key is used to activate submenus when the selected feature is a submenu, or to display a pick list if a selected option has a value field, or to select a subfield for multi-valued features like time and date. If a pick list is displayed, the <Enter> key selects the currently highlighted item, undoes the pick list, and returns the focus to the parent menu.
<Esc>	Exit	The <Esc> key provides a mechanism for backing out of any field. When the <Esc> key is pressed while editing any field or selecting features of a menu, the parent menu is re-entered.  When the <Esc> key is pressed in any submenu, the parent menu is re-entered. When the <Esc> key is pressed in any major menu, the exit confirmation window is displayed and the user is asked whether changes can be discarded. If "No" is selected and the <Enter> key is pressed, or if the <Esc> key is pressed, the user is returned to where they were before <Esc> was pressed, without affecting any existing settings. If "Yes" is selected and the <Enter> key is pressed, the setup is exited and the BIOS returns to the main System Options Menu screen.
↑	Select Item	The up arrow is used to select the previous value in a pick list, or the previous option in a menu item's option list. The selected item must then be activated by pressing the <Enter> key.
↓	Select Item	The down arrow is used to select the next value in a menu item's option list, or a value field's pick list. The selected item must then be activated by pressing the <Enter> key.
←	Select Menu	The left and right arrow keys are used to move between the major menu pages. The keys have no effect if a sub-menu or pick list is displayed.
<Tab>	Select Field	The <Tab> key is used to move between fields. For example, <Tab> can be used to move from hours to minutes in the time item in the main menu.



Key	Option	Description
-	Change Value	The minus key on the keypad is used to change the value of the current item to the previous value. This key scrolls through the values in the associated pick list without displaying the full list.
+	Change Value	The plus key on the keypad is used to change the value of the current menu item to the next value. This key scrolls through the values in the associated pick list without displaying the full list. On 106-key Japanese keyboards, the plus key has a different scan code than the plus key on the other keyboards, but will have the same effect.
<F9>	Setup Defaults	<p>Pressing the &lt;F9&gt; key causes the following to display:</p> <div style="border: 1px solid black; padding: 10px; text-align: center;"> <p>Load Optimized Defaults?</p> <p>Yes No</p> </div> <p>If “Yes” is highlighted and &lt;Enter&gt; is pressed, all Setup fields are set to their default values. If “No” is highlighted and &lt;Enter&gt; is pressed, or if the &lt;Esc&gt; key is pressed, the user is returned to where they were before &lt;F9&gt; was pressed without affecting any existing field values.</p>
<F10>	Save and Exit	<p>Pressing the &lt;F10&gt; key causes the following message to display:</p> <div style="border: 1px solid black; padding: 10px; text-align: center;"> <p>Save configuration and reset?</p> <p>Yes No</p> </div> <p>If “Yes” is highlighted and &lt;Enter&gt; is pressed, all changes are saved and the Setup is exited. If “No” is highlighted and &lt;Enter&gt; is pressed, or the &lt;Esc&gt; key is pressed, the user is returned to where they were before &lt;F10&gt; was pressed without affecting any existing values.</p>

## Setup Screen Menu Selection Bar

The Setup Screen Menu selection bar is located at the top of the BIOS Setup Utility screen. It displays tabs showing the major screen selections available to the user. By using the left and right arrow keys, the user can select the listed screens. Some screen selections are out of the visible menu space, and become available by scrolling to the left or right of the current selections displayed.

## BIOS Setup Utility Screens

The following sections describe the screens available in the BIOS Setup utility for the configuration of the server platform.

For each of these screens, there is an image of the screen with a list of Field Descriptions which describe the contents of each item on the screen. Each item on the screen is hyperlinked to the relevant Field Description. Each Field Description is hyperlinked back to the screen image.

These lists follow the following guidelines:

- The text heading for each Field Description is the actual text as displayed on the BIOS Setup screen. This screen text is a hyperlink to its corresponding Field Description.
- The text shown in the Option Values and Help Text entries in each Field Description are the actual text and values are displayed on the BIOS Setup screens.
- In the Option Values entries, the text for default values is shown with an underline. These values do not appear underline on the BIOS Setup screen. The underlined text in this document is to serve as a reference to which value is the default value.

- The Help Text entry is the actual text which appears on the screen to accompany the item when the item is the one in focus (active on the screen).
- The Comments entry provides additional information where it may be helpful. This information does not appear on the BIOS Setup screens.
- Information enclosed in angular brackets (< >) in the screen shots identifies text that can vary, depending on the option(s) installed. For example, <Amount of memory installed> is replaced by the actual value for “Total Memory”.
- Information enclosed in square brackets ([ ]) in the tables identifies areas where the user must type in text instead of selecting from a provided option.
- Whenever information is changed (except Date and Time), the systems requires a save and reboot to take place in order for the changes to take effect. Alternatively, pressing <ESC> discards the changes and resumes POST to continue to boot the system according to the boot order set from the last boot.

## Map of Screens and Functionality

There are a number of screens in the entire Setup collection. They are organized into major categories. Each category has a hierarchy beginning with a top-level screen from which lower-level screens may be selected. Each top-level screen appears as a tab, arranged across the top of the Setup screen image of all top-level screens.

There are more categories than will fit across the top of the screen, so at any given time there will be some categories which will not appear until the user has scrolled across the tabs which are present. The categories and the screens included in each category are listed below.

**Table 7. Screen Map**

Categories (Top Tabs)	2 <sup>nd</sup> Level Screens	3 <sup>rd</sup> Level Screens
Main Screen (Tab)		
Advanced Screen (Tab)		
↙	Processor Configuration	
↙	Memory Configuration	
	↙	Memory RAS and Performance Configuration
↙	Mass Storage Controller Configuration	
↙	PCI Configuration	
↙	Serial Port Configuration	
↙	USB Configuration	
↙	System Acoustic and Performance Configuration	

## Server Utilities

Categories (Top Tabs)	2 <sup>nd</sup> Level Screens	3 <sup>rd</sup> Level Screens
Security Screen (Tab)		
Server Management Screen (Tab)		
↳	Console Redirection	
↳	System Information	
↳	BMC LAN Configuration	
Boot Options Screen (Tab)		
↳	CDROM Order	
↳	Hard Disk Order	
↳	Floppy Order	
↳	Network Device Order	
↳	BEV Device Order	
↳	Add EFI Boot Option	
↳	Delete EFI Boot Option	
Boot Manager Screen (Tab)		
Error Manager Screen (Tab)		
Exit Screen (Tab)		

## Appendix A: Technical Reference

### Power Supply Input Voltages

**Table 8. CRPS Input Voltage**

Parameter	Min	Rated	Max	Start up VAC	Power Off VAC
110V <sub>AC</sub>	90 V <sub>rms</sub>	100-127 V <sub>rms</sub>	140 V <sub>rms</sub>	85 V <sub>AC</sub> ± 4V <sub>AC</sub>	70V <sub>AC</sub> ±5V <sub>AC</sub>
220V <sub>AC</sub>	180 V <sub>rms</sub>	200-240 V <sub>rms</sub>	264 V <sub>rms</sub>		
Frequency	47 Hz	50/60 Hz	63 Hz		

### Power Supply Output Voltages

**Table 9. CRPS Output Voltage**

Parameter	Min	Nom	Max	Unit	Tolerance
+12VSTB	+11.40V	+12.000V	+12.60V	V <sub>rms</sub>	±5%
+12V	+11.40V	+12.000V	+12.60V	V <sub>rms</sub>	±5%

### System Environmental Specifications

The following table defines the system level operating and non-operating environmental limits.

**Table 10. System Environmental Limits Summary**

Parameter	Limits
Operating Temperature	+10°C to +35°C with the maximum rate of change not to exceed 10°C per hour
Non-Operating Temperature	-40°C to +70°C
Non-Operating Humidity	90%, non-condensing at 35°C
Acoustic noise	Sound power: - 3.5" HDD SKU: 6.9BA at idle and 7.4BA at active mode; - 2.5" HDD SKU: 6.5BA at idle and 7.07BA at active mode.
Shock, operating	Half sine, 2 g peak, 11 milliseconds
Shock, unpackaged	Trapezoidal, 25 g, velocity change 136 inches/second (40 lbs to < 80 lbs)
Shock, packaged	Non-palletized free fall in height 24 inches (40 lbs to < 80 lbs)
Vibration, unpackaged	5 Hz to 500 Hz, 2.20 g RMS random
ESD	+/-12 KV except I/O port +/- 8 KV per Intel® Environmental test specification

## Appendix A: Technical Reference

<b>Parameter</b>	<b>Limits</b>
System Cooling Requirement in BTU/Hr	1200 Watt Max – 4095 BTU/hour 1600 Watt Max – 5459 BTU/hour

## Appendix B: Regulatory and Compliance Information

---

Please refer to the Server Products Regulatory and Safety document for the product regulatory compliance reference. The document can be downloaded from [http://www.intel.com/p/en\\_US/support/server/](http://www.intel.com/p/en_US/support/server/).

## Appendix C: LED Decoder

During the system boot process, the BIOS executes a number of platform configuration processes, each of which is assigned a specific hex POST code number. As each configuration routine is started, the BIOS displays the POST code to the POST Code.

Diagnostic LEDs found on the back edge of the server board. To assist in troubleshooting a system hang during the POST process, the Diagnostic LEDs can be used to identify the last POST process to be executed.

Each POST code is represented by the eight amber Diagnostic LEDs. The POST codes are divided into two nibbles, an upper nibble and a lower nibble. The upper nibble bits are represented by Diagnostic LEDs #4, #5, #6, #7. The lower nibble bits are represented by Diagnostics LEDs #0, #1, #2 and #3. If the bit is set in the upper and lower nibbles, then the corresponding LED is lit. If the bit is clear, then the corresponding LED is off.

The Diagnostic LED #7 is labeled as "MSB", and the Diagnostic LED #0 is labeled as "LSB".

In the following example, the BIOS sends a value of ACh to the diagnostic LED decoder.

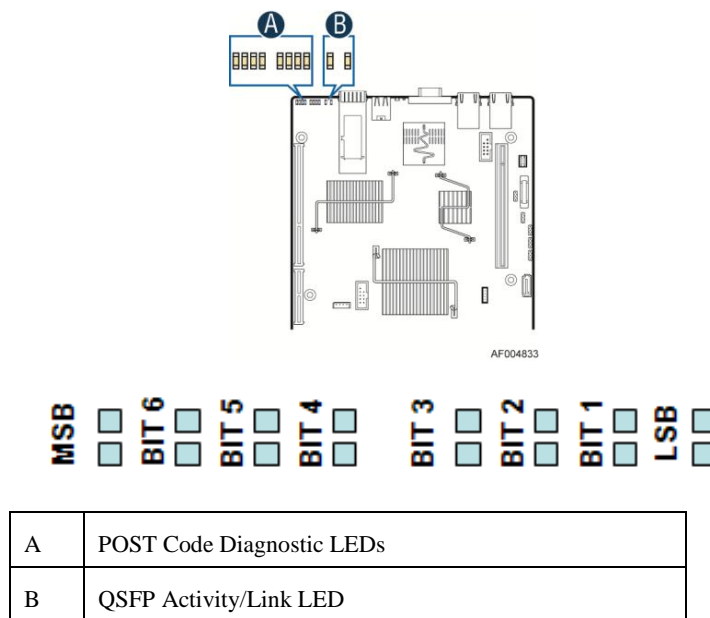


Figure 90. Diagnostic LED Placement Diagram

The LEDs are decoded as follows:

Table 11. POST Progress Code LED Example

LEDs	Upper Nibble LEDs				Lower Nibble LEDs			
	MSB							LSB
	LED #7	LED #6	LED #5	LED #4	LED #3	LED #2	LED #1	LED #0
	8h	4h	2h	1h	8h	4h	2h	1h

<b>Status</b>	ON	OFF	ON	OFF	ON	ON	OFF	OFF
<b>Results</b>	1	0	1	0	1	1	0	0
	Ah				Ch			

- Upper nibble bits = 1010b = Ah;
  - Lower nibble bits = 1100b = Ch;
- The two are concatenated as Ach.

Table 12. Diagnostic LED POST Code Decoder

Checkpoint	Diagnostic LED Decoder								Description	
	1 = On, 0=Off									
	Upper Nibble				Lower Nibble					
	MSB							LSB		
LED	8h	4h	2h	1h	8h	4h	2h	1h	#0	
<b>Host Processor</b>										
0x10h	0	0	0	1	0	0	0	0	0	Power-on initialization of the host processor (bootstrap processor)
0x11h	0	0	0	1	0	0	0	1	1	Host processor cache initialization (including AP)
0x12h	0	0	0	1	0	0	1	0	0	Starting application processor initialization
0x13h	0	0	0	1	0	0	1	1	1	SMM initialization
0x14h	0	0	0	1	0	1	0	0	0	Selection of Processor with least features to be used as Boot Strap Processor
0x15h	0	0	0	1	0	1	0	1	1	Switch an AP processor to become the new Boot Strap Processor
<b>Chipset</b>										
0x21h	0	0	1	0	0	0	0	1	1	Initializing a chipset component
<b>Memory</b>										
0x22h	0	0	1	0	0	0	1	0	0	Reading configuration data from memory (SPD on FBDIMM)
0x23h	0	0	1	0	0	0	1	1	1	Detecting presence of memory
0x24h	0	0	1	0	0	1	0	0	0	Programming timing parameters in the memory controller
0x25h	0	0	1	0	0	1	0	1	1	Configuring memory parameters in the memory controller
0x26h	0	0	1	0	0	1	1	0	0	Optimizing memory controller settings
0x27h	0	0	1	0	0	1	1	1	1	Initializing memory, such as ECC in it
0x28h	0	0	1	0	1	0	0	0	0	Testing memory
0xE4h	1	1	1	0	0	1	0	0	0	BIOS cannot communicate with DIMM (serial channel hardware failure)
0xE6h	1	1	1	0	0	1	1	0	0	DIMM(s) failed Memory iBIST or Memory Link Training failure
0xE8h	1	1	1	0	1	0	0	0	0	No memory available (system halted)
0xE9h	1	1	1	0	1	0	0	1	1	Unsupported or invalid DIMM configuration (system halted)
0xEAh	1	1	1	0	1	0	1	0	0	DIMM training sequence failed (system halted)
0xEBh	1	1	1	0	1	0	1	1	1	Memory test failed (system halted)
0xECh	1	1	1	0	1	1	0	0	0	Unsupported or invalid DIMM configuration (system halted)
0xEDh	1	1	1	0	1	1	0	1	1	Unsupported or invalid DIMM configuration (system halted)
0xEBh	1	1	1	0	1	0	1	1	1	DIMM with corrupted SPD data detected (system halted)
<b>QuickPath Interconnect (QPI)</b>										
0xA0h	1	0	1	0	0	0	0	0	0	QPI Initialization
0xA1h	1	0	1	0	0	0	0	1	1	QPI Initialization
0xA2h	1	0	1	0	0	0	1	0	0	QPI Initialization
0xA3h	1	0	1	0	0	0	1	1	1	QPI Initialization



## Appendix C: LED Decoder

Checkpoint	Diagnostic LED Decoder								Description
	1 = On, 0=Off								
	Upper Nibble				Lower Nibble				
	MSB							LSB	
LED	8h	4h	2h	1h	8h	4h	2h	1h	#0
	#7	#6	#5	#4	#3	#2	#1	#0	
0xA4h	1	0	1	0	0	1	0	0	QPI Initialization
0xA5h	1	0	1	0	0	1	0	1	QPI Initialization
0xA6h	1	0	1	0	0	1	1	0	QPI Initialization
0xA7h	1	0	1	0	0	1	1	1	QPI Initialization
0xA8h	1	0	1	0	1	0	0	0	QPI Initialization
0xA9h	1	0	1	0	1	0	0	1	QPI Initialization
0xAAh	1	0	1	0	1	0	1	0	QPI Initialization
0xABh	1	0	1	0	1	0	1	1	QPI Initialization
0xACH	1	0	1	0	1	1	0	0	QPI Initialization
0xADh	1	0	1	0	1	1	0	1	QPI Initialization
0xAEh	1	0	1	0	1	1	1	0	QPI Initialization
0xAFh	1	0	1	0	1	1	1	1	QPI Initialization
<b>Integrated Memory Controller (IMC)</b>									
0xB0h	1	0	1	1	0	0	0	0	Memory Initialization of Integrated Memory Controller
0xB1h	1	0	1	1	0	0	0	1	Memory Initialization of Integrated Memory Controller
0xB2h	1	0	1	1	0	0	1	0	Memory Initialization of Integrated Memory Controller
0xB3h	1	0	1	1	0	0	1	1	Memory Initialization of Integrated Memory Controller
0xB4h	1	0	1	1	0	1	0	0	Memory Initialization of Integrated Memory Controller
0xB5h	1	0	1	1	0	1	0	1	Memory Initialization of Integrated Memory Controller
0xB6h	1	0	1	1	0	1	1	0	Memory Initialization of Integrated Memory Controller
0xB7h	1	0	1	1	0	1	1	1	Memory Initialization of Integrated Memory Controller
0xB8h	1	0	1	1	1	0	0	0	Memory Initialization of Integrated Memory Controller
0xB9h	1	0	1	1	1	0	0	1	Memory Initialization of Integrated Memory Controller
0xBAh	1	0	1	1	1	0	1	0	Memory Initialization of Integrated Memory Controller
0xBBh	1	0	1	1	1	0	1	1	Memory Initialization of Integrated Memory Controller
0xBCh	1	0	1	1	1	1	0	0	Memory Initialization of Integrated Memory Controller
0xBDh	1	0	1	1	1	1	0	1	Memory Initialization of Integrated Memory Controller
0xBEh	1	0	1	1	1	1	1	0	Memory Initialization of Integrated Memory Controller
0xBFh	1	0	1	1	1	1	1	1	Memory Initialization of Integrated Memory Controller
<b>PCI Bus</b>									
0x50h	0	1	0	1	0	0	0	0	Enumerating PCI buses
0x51h	0	1	0	1	0	0	0	1	Allocating resources to PCI buses
0x52h	0	1	0	1	0	0	1	0	Hot Plug PCI controller initialization
0x53h	0	1	0	1	0	0	1	1	Reserved for PCI bus
0x54h	0	1	0	1	0	1	0	0	Reserved for PCI bus
0x55h	0	1	0	1	0	1	0	1	Reserved for PCI bus
<b>USB</b>									
0x56h	0	1	0	1	0	1	1	0	Initializing USB host controllers
0x57h	0	1	0	1	0	1	1	1	Detecting USB devices
0x58h	0	1	0	1	1	0	0	0	Resetting USB bus

Checkpoint	Diagnostic LED Decoder								Description
	1 = On, 0=Off								
	Upper Nibble				Lower Nibble				
	MSB							LSB	
LED	8h	4h	2h	1h	8h	4h	2h	1h	#0
	#7	#6	#5	#4	#3	#2	#1	#0	
0x59h	0	1	0	1	1	0	0	1	Reserved for USB devices
<b>ATA/ATAPI/SATA</b>									
0x5Ah	0	1	0	1	1	0	1	0	Resetting SATA bus and all devices
0x5Bh	0	1	0	1	1	0	1	1	Detecting the presence of ATA device
0x5Ch	0	1	0	1	1	1	0	0	Enable SMART if supported by ATA device
0x5Dh	0	1	0	1	1	1	0	1	Reserved for ATA
<b>SMBUS</b>									
0x5Eh	0	1	0	1	1	1	1	0	Resetting SMBUS
0x5Fh	0	1	0	1	1	1	1	1	Reserved for SMBUS
<b>I/O Controller Hub</b>									
0x61h	0	1	1	0	0	0	0	1	Initializing I/O Controller Hub
<b>Super I/O</b>									
0x63h	0	1	1	0	0	0	1	1	Initializing Super I/O
<b>Local Console</b>									
0x70h	0	1	1	1	0	0	0	0	Resetting the video controller (VGA)
0x71h	0	1	1	1	0	0	0	1	Disabling the video controller (VGA)
0x72h	0	1	1	1	0	0	1	0	Enabling the video controller (VGA)
0x73h	0	1	1	1	0	0	1	1	Reserved for video controller (VGA)
<b>Remote Console</b>									
0x78h	0	1	1	1	1	0	0	0	Resetting the console controller
0x79h	0	1	1	1	1	0	0	1	Disabling the console controller
0x7Ah	0	1	1	1	1	0	1	0	Enabling the console controller
0x7Bh	0	1	1	1	1	0	1	1	Reserved for console controller
<b>Keyboard (only USB)</b>									
0x90h	1	0	0	1	0	0	0	0	Resetting the keyboard
0x91h	1	0	0	1	0	0	0	1	Disabling the keyboard
0x92h	1	0	0	1	0	0	1	0	Detecting the presence of the keyboard
0x93h	1	0	0	1	0	0	1	1	Enabling the keyboard
0x94h	1	0	0	1	0	1	0	0	Clearing keyboard input buffer
0x96h	1	0	0	1	0	1	1	0	Reserved for keyboard
<b>Mouse (only USB)</b>									
0x98h	1	0	0	1	0	0	1	0	Resetting the mouse
0x99h	1	0	0	1	0	0	1	1	Detecting the mouse
0x9Ah	1	0	0	1	0	1	1	0	Detecting the presence of mouse
0x9Bh	1	0	0	1	0	1	1	1	Enabling the mouse
0x9Ch	1	0	0	1	0	0	1	0	Reserved for mouse
<b>Serial Port</b>									
0xA8h	1	0	1	0	1	0	0	0	Resetting the serial port
0xA9h	1	0	1	0	1	0	0	1	Disabling the serial port
0xAAh	1	0	1	0	1	0	1	0	Detecting the presence of the serial port
0xABh	1	0	1	0	1	0	1	1	Clearing serial port buffer

## Appendix C: LED Decoder

Checkpoint	Diagnostic LED Decoder								Description
	1 = On, 0=Off								
	Upper Nibble				Lower Nibble				
	MSB							LSB	
LED	8h	4h	2h	1h	8h	4h	2h	1h	
	#7	#6	#5	#4	#3	#2	#1	#0	
0xACh	1	0	1	0	1	1	0	0	Enabling serial port
0xADh	1	0	1	0	1	1	0	1	Reserved for serial port
<b>Fixed Media</b>									
0xB0h	1	0	1	1	0	0	0	0	Resetting fixed media device
0xB1h	1	0	1	1	0	0	0	1	Disabling fixed media device
0xB2h	1	0	1	1	0	0	1	0	Detecting presence of a fixed media device (SATA hard drive detection, and so forth)
0xB3h	1	0	1	1	0	0	1	1	Enabling/configuring a fixed media device
0xB4h	1	0	1	1	0	1	0	0	Reserved for fixed media
<b>Removable Media</b>									
0xB8h	1	0	1	1	1	0	0	0	Resetting removable media device
0xB9h	1	0	1	1	1	0	0	1	Disabling removable media device
0xBAh	1	0	1	1	1	0	1	0	Detecting presence of a removable media device (SATA CDROM detection, and so forth)
0xBCh	1	0	1	1	1	1	0	0	Enabling/configuring a removable media device
0xBDh	1	0	1	1	1	1	0	1	Reserved for removable media device
<b>Boot Device Selection (BDS)</b>									
0xD0	1	1	0	1	0	0	0	0	Entered the Boot Device Selection phase (BDS)
0xD1	1	1	0	1	0	0	0	1	Return to last good boot device
0xD2	1	1	0	1	0	0	1	0	Setup boot device selection policy
0xD3	1	1	0	1	0	0	1	1	Connect boot device controller
0xD4	1	1	0	1	0	1	0	0	Attempt flash update boot mode
0xD5	1	1	0	1	0	1	0	1	Transfer control to EFI boot
0xD6	1	1	0	1	0	1	1	0	Trying to boot device selection
0xDF	1	1	0	1	1	1	1	1	Reserved for boot device selection
<b>Pre-EFI Initialization (PEI) Core</b>									
0xE0h	1	1	1	0	0	0	0	0	Entered Pre-EFI Initialization phase (PEI)
0xE1h	1	1	1	0	0	0	0	1	Started dispatching early initialization modules (PEIM)
0xE2h	1	1	1	0	0	0	1	0	Initial memory found, configured, and installed correctly
0xE3h	1	1	1	0	0	0	1	1	Transfer control to the DXE Core
<b>PEI Modules</b>									
0xF0h	1	1	1	1	0	0	0	0	Install PEIM for Platform Status Codes
0xF1h	1	1	1	1	0	0	0	1	Detecting Platform Type
0xF2h	1	1	1	1	0	0	1	0	Early Platform Initialization
0xF3h	1	1	1	1	0	0	1	1	PEI Modules initialized
<b>Driver eXecution Environment (DXE) Core</b>									
0xE4h	1	1	1	0	0	1	0	0	Entered EFI driver execution phase (DXE)
0xE5h	1	1	1	0	0	1	0	1	Started dispatching drivers
0xE6h	1	1	1	0	0	1	1	0	Started connecting drivers
<b>DXE Drivers</b>									
0xE7h	1	1	1	0	1	1	0	1	Waiting for user input

Checkpoint	Diagnostic LED Decoder								Description
	1 = On, 0=Off								
	Upper Nibble				Lower Nibble				
	MSB							LSB	
LED	8h	4h	2h	1h	8h	4h	2h	1h	
	#7	#6	#5	#4	#3	#2	#1	#0	
0xE8h	1	1	1	0	1	0	0	0	Checking password
0xE9h	1	1	1	0	1	0	0	1	Entering BIOS setup
0xEAh	1	1	1	0	1	1	0	0	Flash Update
0xEBh	1	1	1	0	1	1	0	1	Legacy Option ROM initialization
0xECh	1	1	1	0	1	0	0	0	DXE Drivers initialized
0xEDh	1	1	1	0	1	0	0	1	Transfer control to Boot Device Selection (BDS)
0xEEh	1	1	1	0	1	1	0	0	Calling Int 19. One beep unless silent boot is enabled.
0xEFh	1	1	1	0	1	1	0	1	Unrecoverable boot failure
<b>Pre-EFI Initialization Module (PEIM)/Recovery</b>									
0x30h	0	0	1	1	0	0	0	0	Crisis recovery initiated because of a user request
0x31h	0	0	1	1	0	0	0	1	Crisis recovery initiated by software (corrupt flash)
0x34h	0	0	1	1	0	1	0	0	Loading crisis recovery capsule
0x35h	0	0	1	1	0	1	0	1	Handing off control to the crisis recovery capsule
0x36h	0	0	1	1	0	1	1	0	Begin crisis recovery
0x3Eh	0	0	1	1	1	1	1	0	No crisis recovery capsule detected
0x3Fh	0	0	1	1	1	1	1	1	Crisis recovery capsule failed integrity check of capsule descriptors

## Appendix D: Getting Help

---

If you encounter an issue with your server system, follow these steps to obtain support:

1. Visit the following Intel support web page at [http://www.intel.com/p/en\\_US/support/server/](http://www.intel.com/p/en_US/support/server/). This web page provides 24x7 support when you need it to get the latest and most complete technical support information on all Intel Enterprise Server and Storage Platforms. Information available at the support site includes:
  - Latest BIOS, firmware, drivers and utilities
  - Product documentation, installation and quick start guides
  - Full product specifications, technical advisories and errata
  - Compatibility documentation for memory, hardware add-in cards, chassis support matrix and operating systems
  - Server and chassis accessory parts list for ordering upgrades or spare parts
  - A searchable knowledgebase to search for product information throughout the support site
2. If you are still unable to obtain a solution to your issue, send an email to Intel's technical support center using the online form available at <http://supportmail.intel.com/scripts-emf/welcome.aspx>.
3. Lastly, you can contact an Intel support representative using one of the support phone numbers available at [http://www.intel.com/p/en\\_US/support/contact/phone](http://www.intel.com/p/en_US/support/contact/phone) (charges may apply). Intel customer support suggests filling out the issue report form available *Appendix E: Intel® Server Issue Report Form* to better service the issue.

Intel also offers Channel Program members around-the-clock 24x7 technical phone support on Intel® server boards, server chassis, server RAID controller cards, and Intel® Server Management at <http://www.intel.com/reseller/>.

*Note: You will need to log in to the Reseller site to obtain the 24x7 number.*

### Warranty Information

To obtain warranty information, visit the following Intel web site:

<http://www.intel.com/support/motherboards/server/sb/cs-010807.htm>.

# Appendix E: Intel® Server Issue Report Form

## Issue Report Form (Rev 3.6)

*Note: Filling out this form completely is required for any escalation.*

---



---

### Customer Contact Information:

Customer Support Case#:

---



---

### Intel® Server Board or System:

(Example: S2600WP, H2216WP/H2312WP)

---



---

### Server Chassis:

(Example H2000WP. If third-party chassis used, indicate make and model.)

---



---

### Base Board Information: (some information may be found by accessing BIOS & going through the Server Management menu -> System Information)

Baseboard PBA/TA/AA # (Example: 123456-789):

- can be found on the white sticker label on the baseboard.

System BIOS Version:

Intel® Remote Management Module Firmware Version (if applicable):

Intel® Management Module BMC Revision (if applicable):

BMC/mBMC Version:

FRU/SDR Version:

HSC Version:

Has the latest BIOS been tried? (Yes/No):

Has the latest BMC/mBMC been tried? (Yes/No):

Has the latest IMM BMC been tried? (Yes/No):

Has the latest RMM Firmware been tried? (Yes/No):

Has the latest FRU/SDR been tried? (Yes/No):

Has the latest HSC been tried? (Yes/No):

---



---

### Processor information:

	Type	Speed	Spec	Thermal Solution
Processor 1				
Processor 2				

**Appendix E: Intel® Server Issue Report Form**

	Type	Speed	Spec	Thermal Solution
Processor 3				
Processor 4				

Thermal solution (Heat sink) examples:  
 (1U, Passive w/air ducting, Active w/fan, and so on)

**Memory:**

Manufacturer	Part Number	DRAM Part Number	On Intel tested list?

**Add-in adapters (Example: NICs, Management Adapters, Serial Expansion Cards, PCI-Express\* Adapters, RAID Controllers, SCSI Controllers, and so on):**

Type	Slot	Manufacturer	Model	Firmware

**Other third part hardware (Example: Example: KVM, Chassis, and so on):**

Description/Use	Manufacturer	Model	Firmware

**Storage Devices (Example: SCSI, SATA, SAS, USB, Tape, and so on):**

Manufacturer	Model	Type	Size	Firmware	In Hot Swap Bay?

---



---

**Operating System Information (Example: RedHat\* Enterprise Linux, Microsoft Windows Server 2003\*, Service pack 1, OEM CD):**

Manufacturer:

Version:

Language version (English, Arabic, and Chinese (Simplified)):

Service Pack Level or Kernel Revision:

Distribution (OEM/Retail):

---



---

**Intel® RAID Controller: (Example SRCU42E)**

RAID controller part number (PBA number):

RAID controller firmware version:

Has the latest RAID firmware been tried? (Yes/No):

RAID driver version:

Has the latest RAID driver been tried? (Yes/No):

RAID volumes configuration (disks & RAID level):

RAID volume use (Boot device/Data Volume):

Is BBU (Battery Backup Unit) installed? (Yes/No):

BBU part number:

---



---

**Detailed description of issue:**



**Appendix E: Intel® Server Issue Report Form**

**Troubleshooting tried:**

**Steps to replicate the issue:**

---

---

**Issue impact statements:**

**Do you have any potential Intel system, or component purchases that this issue is holding up? If yes, please provide a brief description below.**

**Do you have systems already purchased that are not being delivered to your customers because of this issue? If yes, please provide a brief description below.**

**Have you returned systems or components to your place of purchase because of this issue? If yes, please provide a brief description below.**

\*All other brands and names are property of their respective owners.