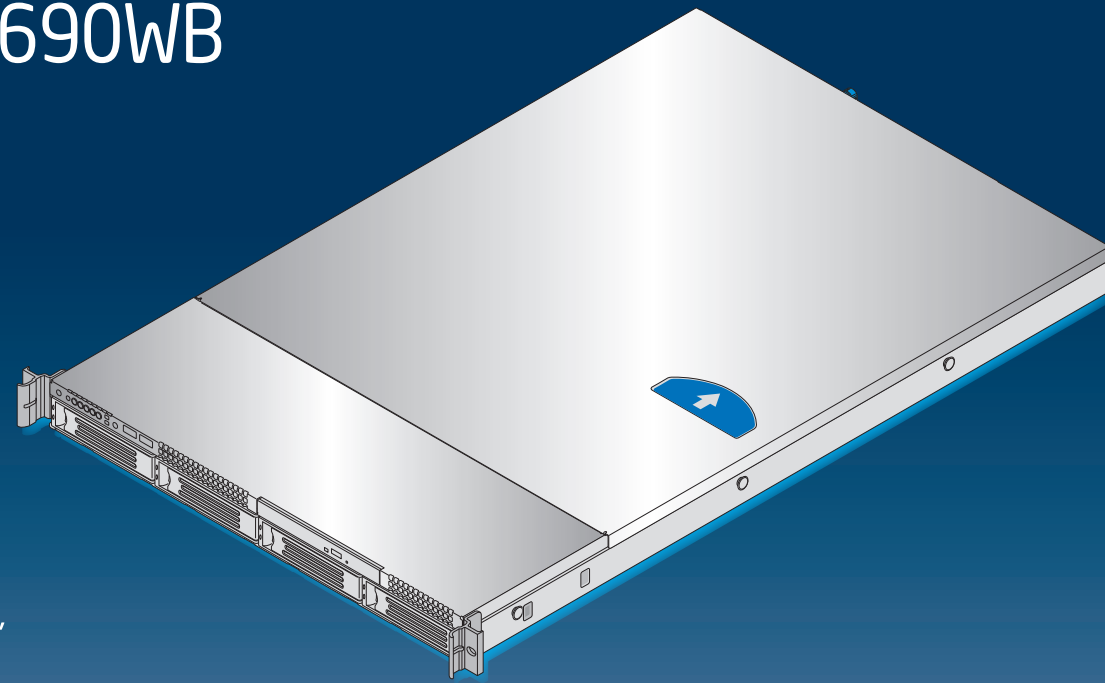


# Intel® Server System SR1690WB Quick Start User's Guide



Thank you for buying the Intel® Server System SR1690WB. The following information will help you set up and configure your new server system.

For details on this system, please visit <http://www.intel.com/go/serverbuilder> and <http://support.intel.com/support/motherboards/server>

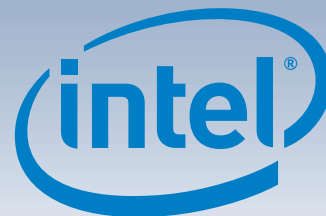
When installing the server board into a reference chassis, refer to the reference chassis instructions.

User Guides are also available on the Intel® Server Deployment Toolkit CD 3.0 that accompanied your Intel® Server System SR1690WB.

If you are not familiar with ESD (Electrostatic Discharge) procedures used during system integration, please see the Intel® Server System SR1690WB User's Guide, available on the Intel® Server Deployment Toolkit CD 3.0 or at <http://support.intel.com/motherboards/server/sr1690wb>.

Please boot to the Intel® Server Deployment Toolkit CD 3.0 first for BIOS and firmware configuration and updates.

Read all cautions and warnings first before starting your server system integration.

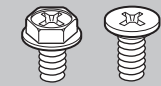


## Minimum Hardware Requirements

To avoid integration difficulties and possible board damage, your system must meet the following minimum requirements:

- Processor: Intel® Xeon® Processor 5500 Series with compatible heat sink.
- Memory Type: Minimum of one 1 GB, 240-pin DDR3 800/1066/1333 MT/s RDIMM or UDIMM.
- Power: Minimum of 400 W with 3A of standby current, which meets the SSI EPS 5V specification.

## Fastener Identification Guide



## 1 Preparing the Chassis

If using a non-Intel server chassis, refer to the documentation that came with your chassis for preparatory steps.

Observe normal ESD (ElectroStatic Discharge) procedures.

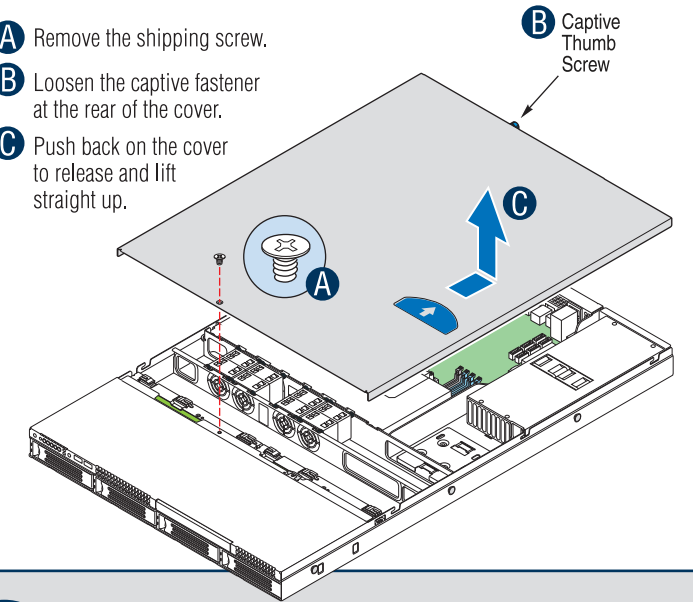


Place your Intel® Server System on a flat anti-static surface to perform the following integration procedures.

Always touch the chassis frame first, before reaching inside to make server board connections or to install other components.

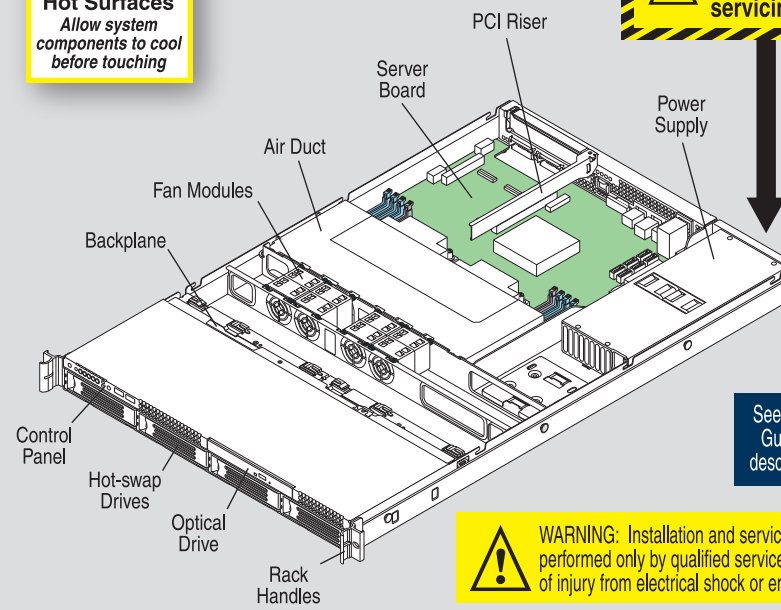
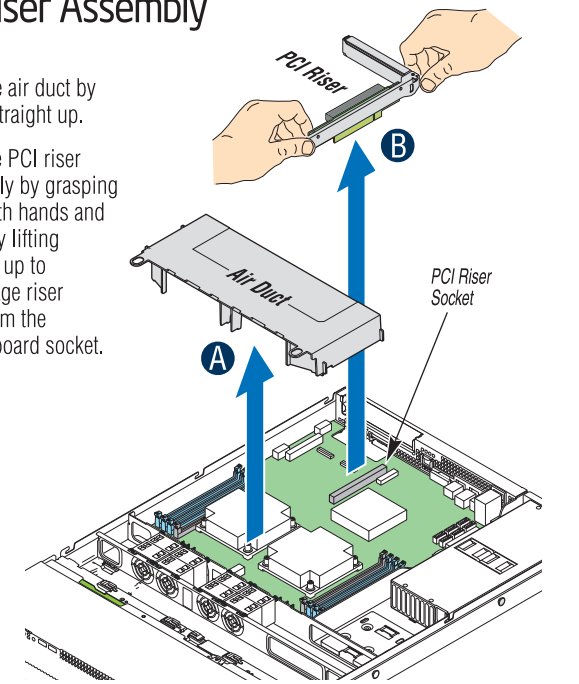
## 2 Remove the Top Cover

- Remove the shipping screw.
- Loosen the captive fastener at the rear of the cover.
- Push back on the cover to release and lift straight up.



## 3 Remove Air Duct and PCI Riser Assembly

- Remove air duct by lifting straight up.
- Remove PCI riser assembly by grasping with both hands and carefully lifting straight up to disengage riser card from the server board socket.



See Server System Product Guide for detailed service descriptions and procedures.



## Warning

Read all caution and safety statements in this document before performing any of the instructions. Also see the *Intel® Server Board and Server Chassis Safety Information* document at: <http://support.intel.com/support/motherboards/server/sb/cs-010770.htm> for complete safety information.

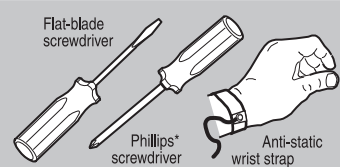
## Warning

Installation and service of this product should only be performed by qualified service personnel to avoid risk of injury from electrical shock or energy hazard.

## Caution

Observe normal ESD [Electrostatic Discharge] procedures during system integration to avoid possible damage to server board and/or other components.

## Tools Required



Intel is a registered trademark of Intel Corporation or its subsidiaries in the United States and other countries. Other names and brands may be claimed as the property of others. Copyright © 2009, Intel Corporation. All rights reserved.

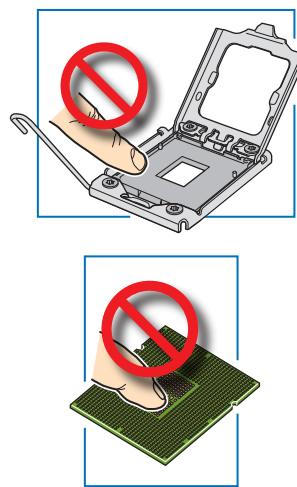
E72799-001



## 4 Install the Processor(s)

### Cautions:

- When removing the protective cover, DO NOT TOUCH the gold socket wires.
- To avoid damage, DO NOT DROP the cover onto the socket wires or components.
- When unpacking a processor, hold by the edges only to avoid touching the gold contact wires.



### A. Open the Socket Lever

- Push the lever handle down and away from the socket to release it.
- Rotate the lever open all the way.

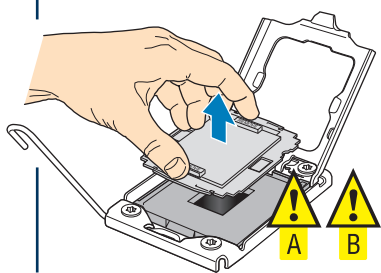
### B. Open the Load Plate

- Push the rear tab with your finger tip to bring the front end of the load plate up slightly.
- Open the load plate as shown.

### C. Remove Socket Protective Cover

- Grasp the socket protective cover by the two tabs and carefully lift straight up as shown.

Save the protective cover.



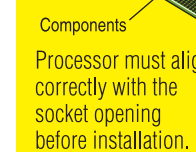
### D. Remove the Processor Protective Cover

- Take the processor out of the box and remove the protective shipping cover.



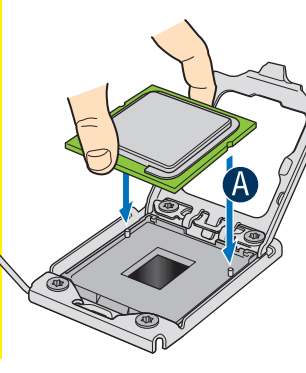
### E. Install the Processor

CAUTION: The underside of the processor has components that may damage the socket wires if installed improperly.



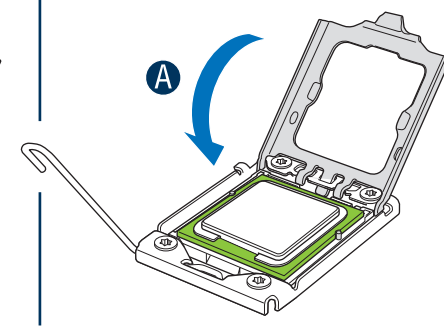
Processor must align correctly with the socket opening before installation. DO NOT DROP processor into the socket!

- Orient the processor with the socket so that the processor cutouts match the two socket pins. Install the processor as shown.



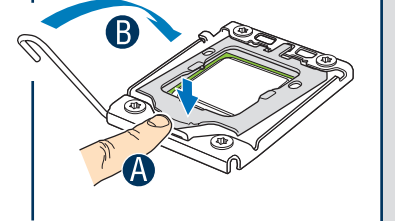
### F. Close the Load Plate

- Close the load plate all the way as shown.



### G. Close and Latch the Socket Lever

- With your finger, push down on the load plate as shown.
- Close the socket lever and ensure that the load plate tab engages under the socket lever when fully closed.



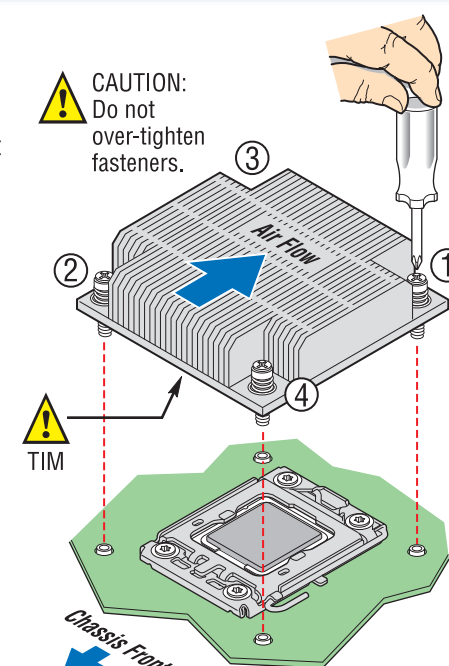
## 5 Install Passive Heatsink(s)

**IMPORTANT NOTE:** Intel® Server Chassis require passive heatsinks. For a non-Intel server chassis, see the documentation that came with your chassis for heatsink requirements.

CAUTION: The heatsink has thermal interface material (TIM) on the underside of it. Use caution so that you do not damage the thermal interface material. Use gloves to avoid sharp edges.

- Remove the protective film on the TIM if present.
- Align heatsink fins to the front and back of the chassis for correct airflow. Airflow goes from front-to-back of chassis.
- Using a #2 Phillips® screwdriver, finger-tighten each fastener diagonally, according to the numbers shown.
- Securely re-tighten each fastener again in the same order as performed in step C.

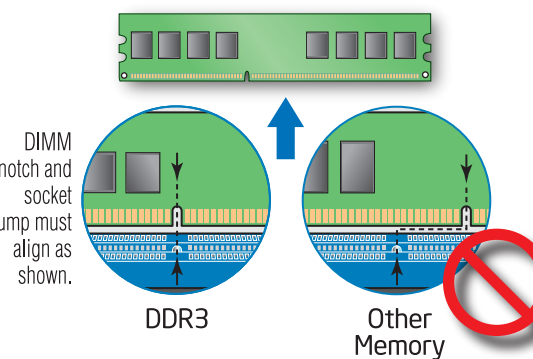
Note: Heatsink styles may vary.



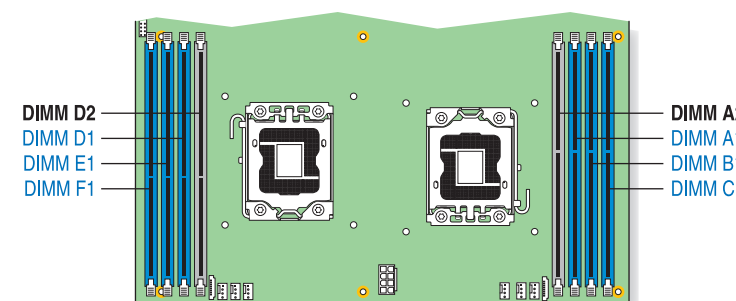
## 6 Install DIMM Memory Modules

### DDR3 DIMM Memory Identification:

- CAUTION: Observe normal ESD (ElectroStatic Discharge) procedures to avoid possible damage to system components.
- This server board supports up to 8 DDR3-800/1066/1333 ECC RDIMM and ECC UDIMM.



### Memory Configurations and Population Order:



Memory Type: Minimum of one 1 GB, DDR3 800/1066/1333 MHz compliant 240-pin DIMM.

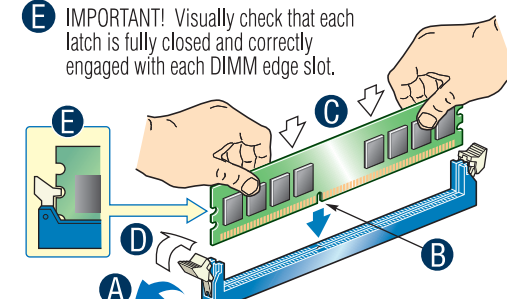
Note: For additional memory configurations, see the User Guide on the Intel® Server Deployment Toolkit 3.0 CD that accompanied your Intel® Server System SR1690WB, or go to: <http://support.intel.com/support/motherboards/server/sr1690wb>

Memory sizing and configuration is supported only for qualified DIMMs approved by Intel®. For a list of supported memory, see the tested memory list at: <http://support.intel.com/support/motherboards/server/sr1690wb/compat.htm>

### To Install DIMMs:

CAUTION: Avoid touching contacts when handling or installing DIMMs.

- Open both DIMM socket levers.
- Note location of alignment notch.
- Insert DIMM making sure the connector edge of the DIMM aligns correctly with the slot.
- Push down firmly on the DIMM until it snaps into place and both levers close.
- IMPORTANT! Visually check that each latch is fully closed and correctly engaged with each DIMM edge slot.



Go to Side 2