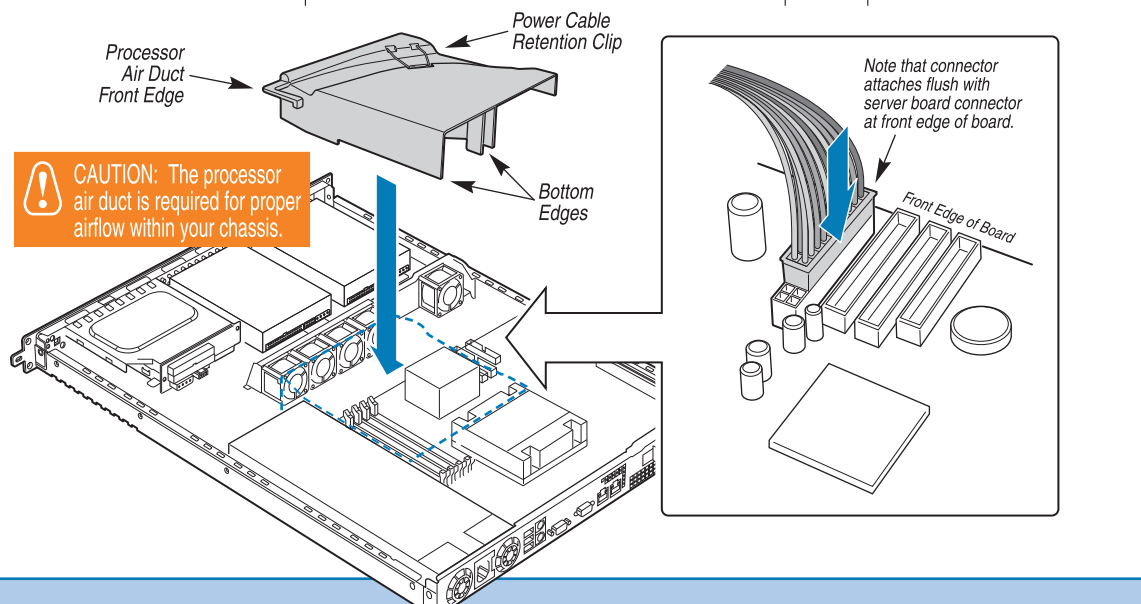


7 Re-install Processor Air Duct

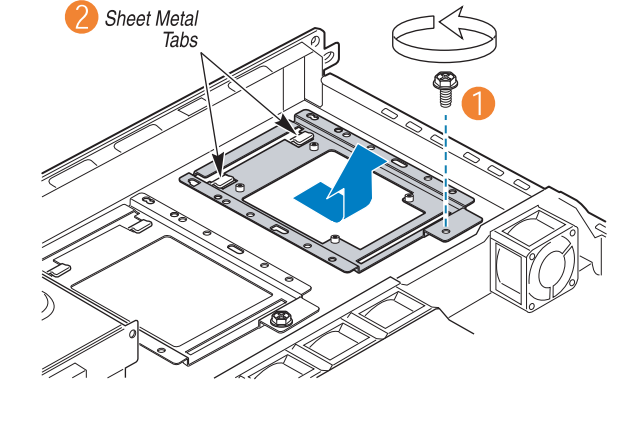
Replace the air duct as shown, using caution to ensure no wires are pinched below the bottom edges of the duct. The front edge of the air duct should contact the fan module and the top of the air duct should be flush with the top of the power supply. Place the main power wire bundle into the air duct recess located on the top of the duct and re-connect the main power cable to server board. Close and latch retention clip at the top of the air duct.



8 Remove Hard Drive Mounting Bracket[s]

Your platform came with two hard drive brackets. For each hard drive you want to install:

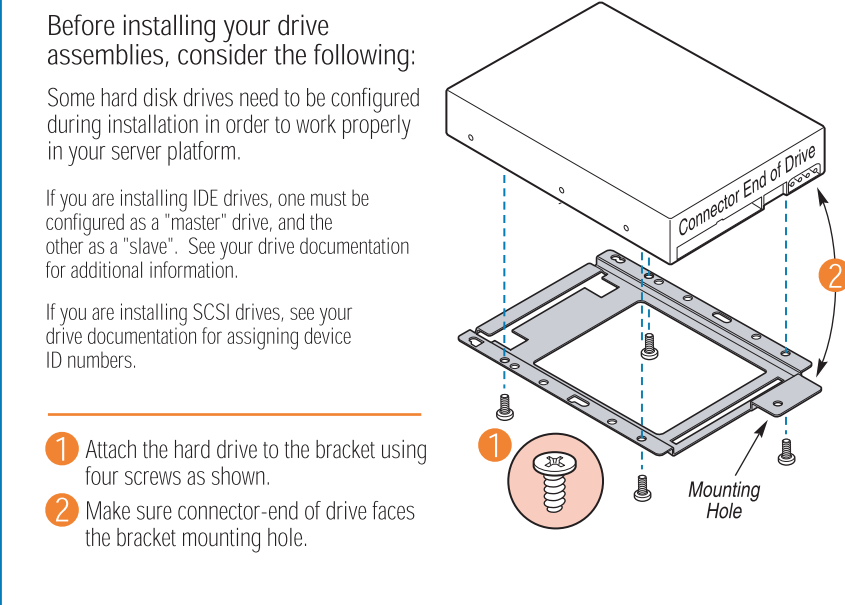
- 1 Remove the screw securing the bracket to the chassis.
- 2 Slide the bracket toward the fan module to disengage the metal tabs and remove.



9 Install the Hard Drive to the Mounting Bracket

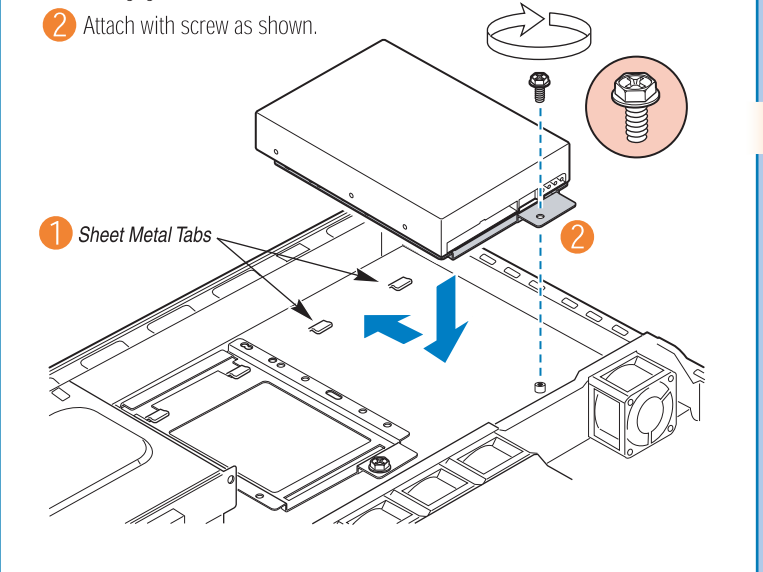
Before installing your drive assemblies, consider the following:
Some hard disk drives need to be configured during installation in order to work properly in your server platform.
If you are installing IDE drives, one must be configured as a "master" drive, and the other as a "slave". See your drive documentation for additional information.
If you are installing SCSI drives, see your drive documentation for assigning device ID numbers.

- 1 Attach the hard drive to the bracket using four screws as shown.
- 2 Make sure connector-end of drive faces the bracket mounting hole.



10 Install Hard Drive/Bracket Assembly

- 1 Place drive/bracket assembly into the chassis and slide it toward the front panel to engage two metal tabs.
- 2 Attach with screw as shown.



11 Install Floppy / CD-ROM / DVD-ROM Backplane Kit or third hard drive [optional accessories]

The floppy drive / CD-ROM drive / DVD-ROM drive accessory kit is required if you want to install one or more of these drive types into your Intel® Server Platform SR1325TP1-E.

The third hard drive kit accessory is required if you want to install a third hard drive into your Intel® Server Platform SR1325TP1-E.

You cannot install both a third hard drive and a floppy drive / CD-ROM drive / DVD-ROM drive.

Follow the instructions included with your accessory kit to complete the floppy drive / CD-ROM drive / DVD-ROM drive, or third hard drive installation.



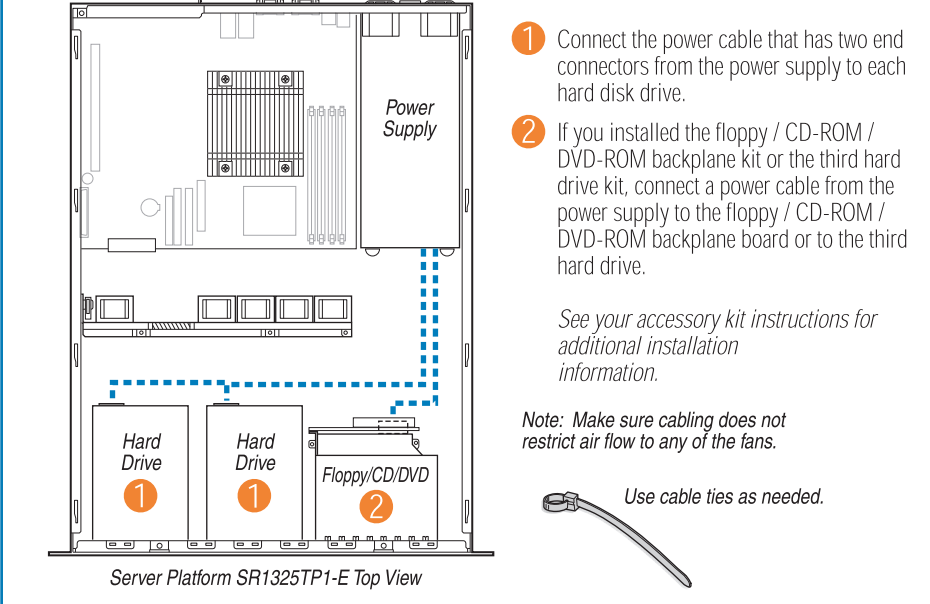
12 Connect Power to Drives

- 1 Connect the power cable that has two end connectors from the power supply to each hard disk drive.
- 2 If you installed the floppy / CD-ROM / DVD-ROM backplane kit or the third hard drive kit, connect a power cable from the power supply to the floppy / CD-ROM / DVD-ROM backplane board or to the third hard drive.

See your accessory kit instructions for additional installation information.

Note: Make sure cabling does not restrict air flow to any of the fans.

Use cable ties as needed.

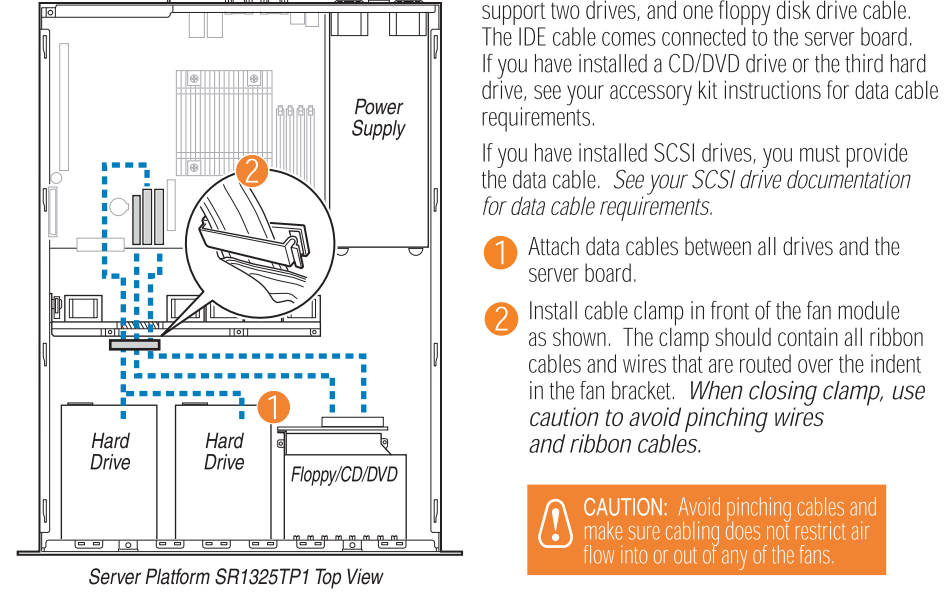


13 Make Data Cable Connections

Your platform comes with one IDE data cable that will support two drives, and one floppy disk drive cable. The IDE cable comes connected to the server board. If you have installed a CD/DVD drive or the third hard drive, see your accessory kit instructions for data cable requirements.

- 1 Attach data cables between all drives and the server board.
- 2 Install cable clamp in front of the fan module as shown. The clamp should contain all ribbon cables and wires that are routed over the indent in the fan bracket. When closing clamp, use caution to avoid pinching wires and ribbon cables.

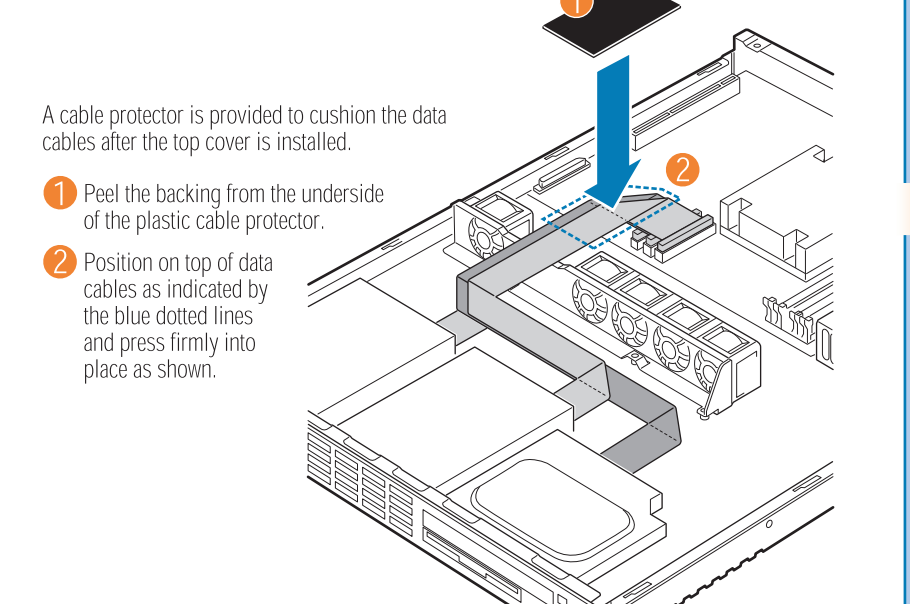
CAUTION: Avoid pinching cables and make sure cabling does not restrict air flow into or out of any of the fans.



14 Install Cable Protector

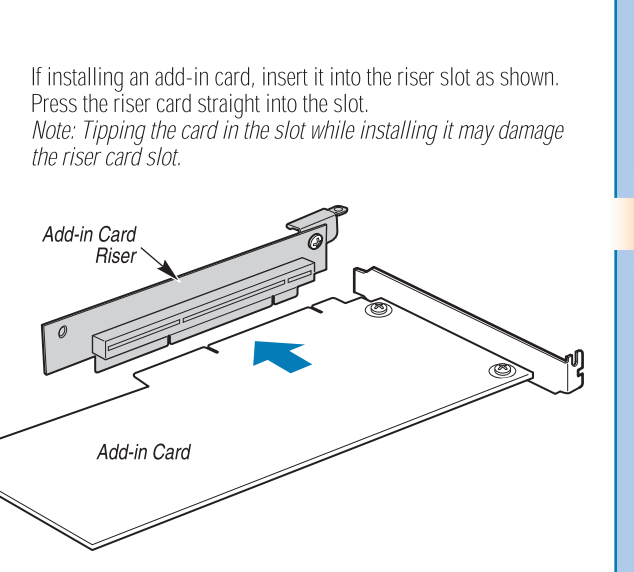
A cable protector is provided to cushion the data cables after the top cover is installed.

- 1 Peel the backing from the underside of the plastic cable protector.
- 2 Position on top of data cables as indicated by the blue dotted lines and press firmly into place as shown.



15 Install Add-in Card

If installing an add-in card, insert it into the riser slot as shown. Press the riser card straight into the slot.
Note: Tipping the card in the slot while installing it may damage the riser card slot.

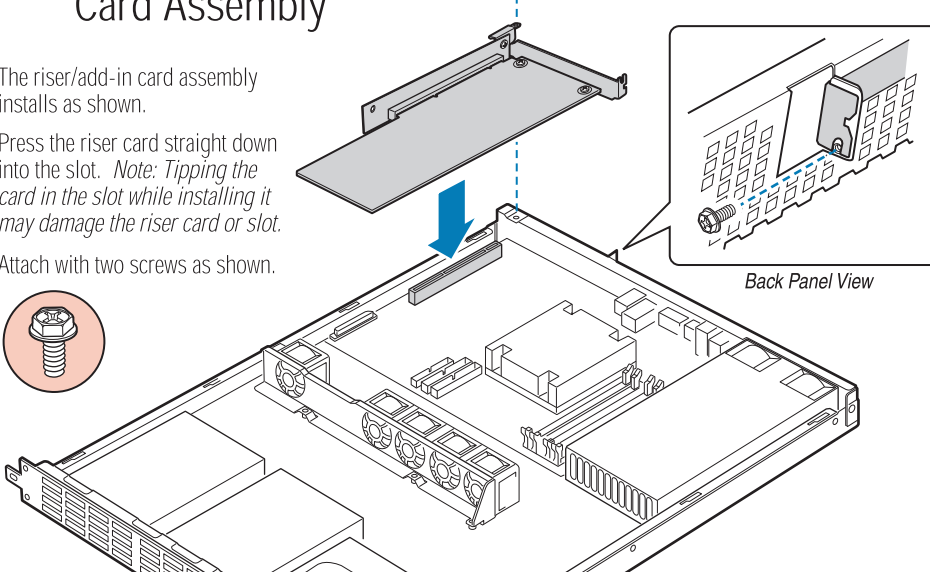


16 Install Riser/Add-in Card Assembly

The riser/add-in card assembly installs as shown.

Press the riser card straight down into the slot. Note: Tipping the card in the slot while installing it may damage the riser card or slot.

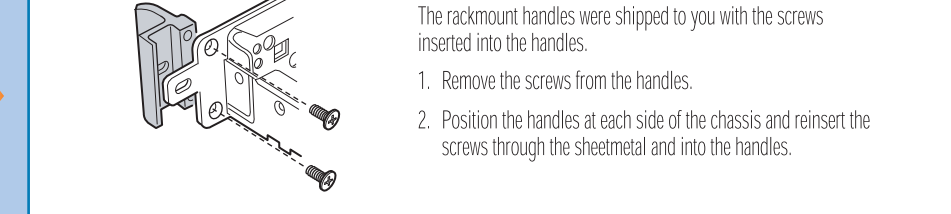
Attach with two screws as shown.



17 Install Rackmount Handles

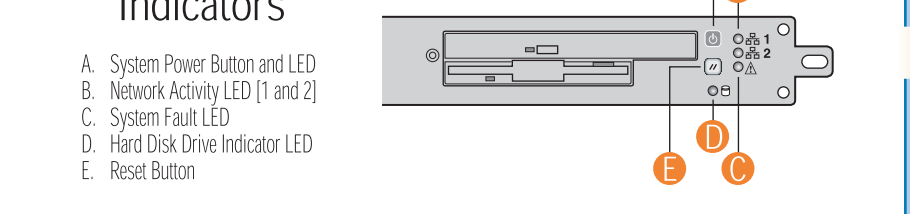
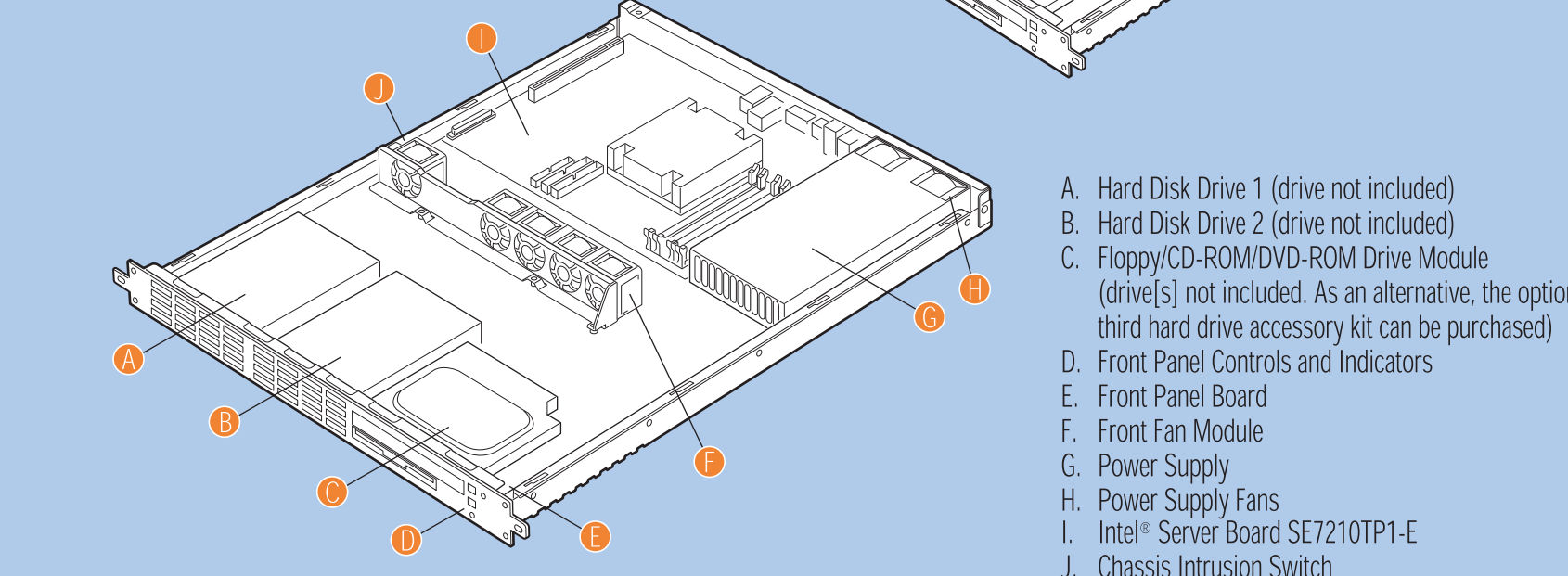
The rackmount handles were shipped to you with the screws inserted into the handles.

1. Remove the screws from the handles.
2. Position the handles at each side of the chassis and reinsert the screws through the sheetmetal and into the handles.



18 Front Panel Controls and Indicators

A. System Power Button and LED
B. Network Activity LED [1 and 2]
C. System Fault LED
D. Hard Disk Drive Indicator LED
E. Reset Button

- Hard Disk Drive 1 (drive not included)
- Hard Disk Drive 2 (drive not included)
- Floppy/CD-ROM/DVD-ROM Drive Module (drive[s] not included. As an alternative, the optional third hard drive accessory kit can be purchased)
- Front Panel Controls and Indicators
- Front Panel Board
- Front Fan Module
- Power Supply
- Power Supply Fans
- Intel® Server Board SE7210TP1-E
- Chassis Intrusion Switch

19 Finishing Up

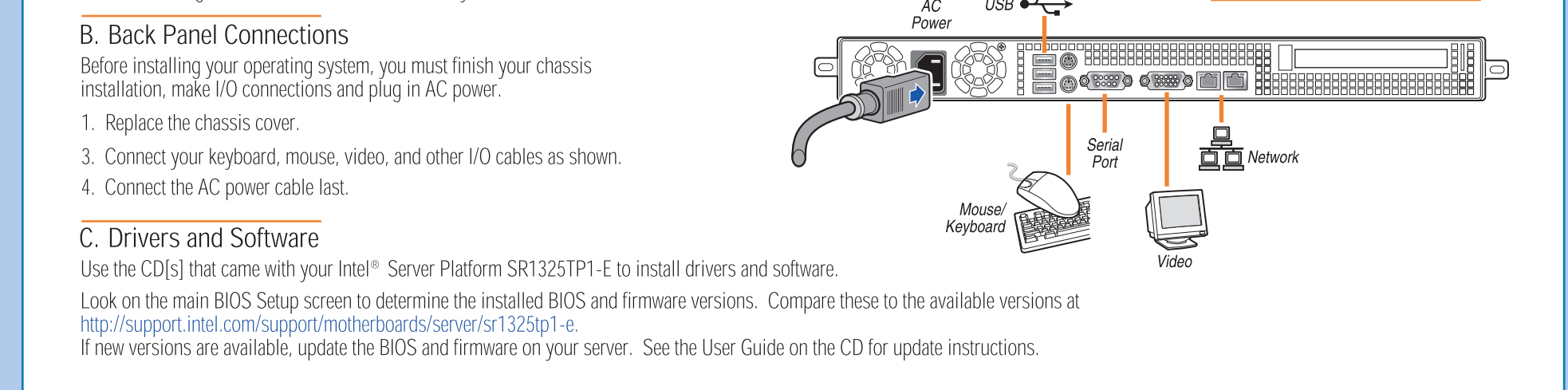
A. Configuration Label
Attach the configuration label to the inside cover of your chassis.

B. Back Panel Connections
Before installing your operating system, you must finish your chassis installation, make I/O connections and plug in AC power.

1. Replace the chassis cover.
3. Connect your keyboard, mouse, video, and other I/O cables as shown.
4. Connect the AC power cable last.

C. Drivers and Software
Use the CD[s] that came with your Intel® Server Platform SR1325TP1-E to install drivers and software.
Look on the main BIOS Setup screen to determine the installed BIOS and firmware versions. Compare these to the available versions at <http://support.intel.com/support/motherboards/server/sr1325tp1-e>. If new versions are available, update the BIOS and firmware on your server. See the User Guide on the CD for update instructions.

CAUTION: This unit must be operated with the top cover installed to ensure proper cooling.



Accessories and Order Codes	
Slim-line CD-ROM Drive	AXXSCD
Slim-line Floppy Drive	AXXSFloppy
Slim-line Combo DVD/CDRW Drive	AXXDVDCDR
Third hard drive kit	ATPA3HDUPKIT

A complete list of accessories and spares can be found at: www.intel.com/go/serverbuilder