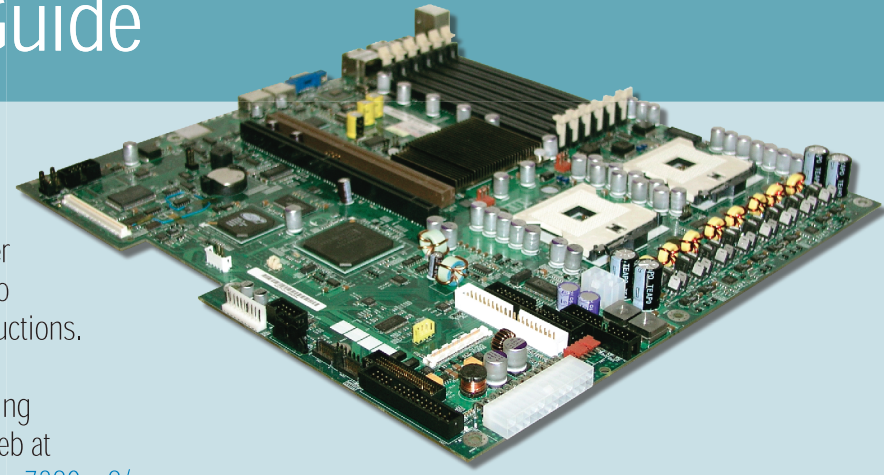




Intel® Server Board SE7320VP2 Quick Start User's Guide



Thank you for buying an Intel® Server Board. The following information will help you to prepare your server board for integration with your Intel® Server Chassis SR2400. When installing the server board into a reference chassis, refer to the reference chassis instructions.

These guides and other supporting documents (including a list of supported server chassis) are located on the web at <http://support.intel.com/support/motherboards/server/se7320vp2/>

If you are not familiar with ESD (Electrostatic Discharge) procedures used during system integration, please see the Intel® Server Board SE7320VP2 User Guide at <http://support.intel.com/support/motherboards/server/se7320vp2/>

Warning

Read all caution and safety statements in this document before performing any of the instructions. Also see the *Intel® Server Board and Server Chassis Safety Information* document at: <http://support.intel.com/support/motherboards/server/sb/cs-010770.htm> for complete safety information.

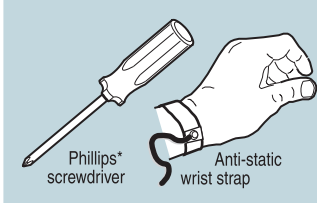
Warning

Installation and service of this product to be performed only by qualified service personnel to avoid risk of injury from electrical shock or energy hazard.

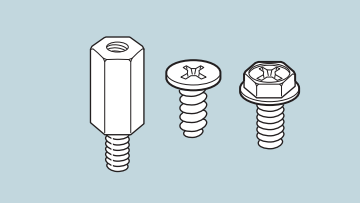
Caution

Observe normal ESD [Electrostatic Discharge] procedures during system integration to avoid possible damage to server board and/or other components.

Tools Required



Fastener Identification Guide



Minimum Hardware Requirements

To avoid integration difficulties and possible board damage, your system must meet the following minimum requirements:

- Processor: Minimum of one Intel® Xeon™ processor with an 800MHz FSB
- Memory: Minimum of one 256MB, DDR266/333-compliant, registered SDRAM 184-pin DIMM.
- Power: Minimum of 450W with 2A of standby current, which meets the SSI EPS 12V specification.

1

Preparing the Chassis

When using an Intel® Server Chassis, begin with the Quick Start User's Guide that came with your chassis. Return to this document when directed by the server chassis Quick Start User's Guide. If using a non-Intel server chassis, refer to the documentation that came with your chassis for preparatory steps.

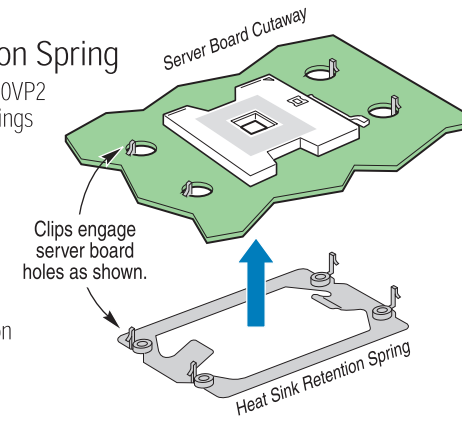
2

Install the Server Board

A. Heat Sink Retention Spring

The Intel® Server Board SE7320VP2 has two heat sink retention springs installed. Make sure that these springs are correctly in place before installing the server board.

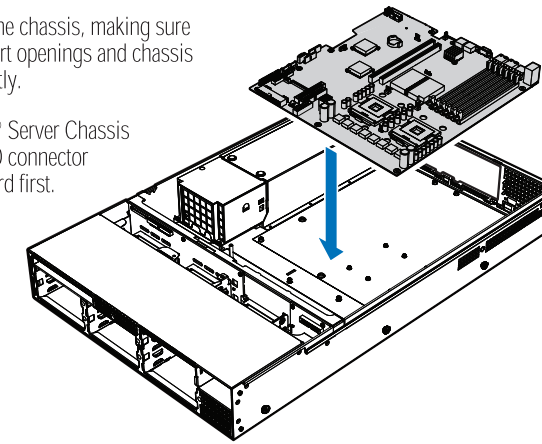
A sheet of white mylar insulating material is held to the server board by the retention springs. Do not remove this insulating material.



B. Insert the Server Board

Place the board into the chassis, making sure that back panel I/O port openings and chassis standoffs align correctly.

When using the Intel® Server Chassis SR2400, insert the I/O connector side (back) of the board first.

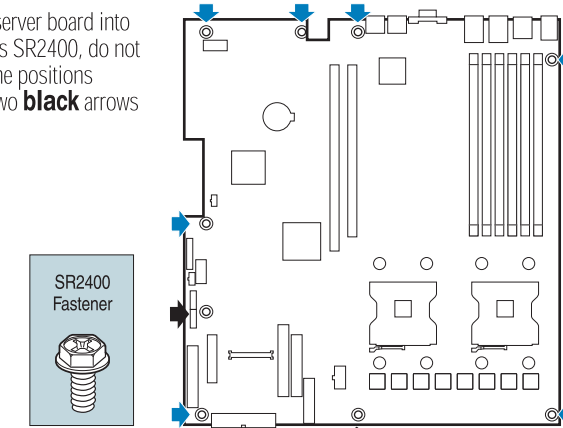


C. Attach the Server Board

Attach the board with the screws at the 7 locations indicated by the blue arrows in the figure.

Intel® Server Chassis SR2400

If installing your server board into the Server Chassis SR2400, do not insert screws in the positions indicated by the two black arrows in the figure.



3

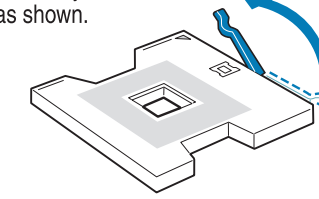
Install the Processor[s] and Heat Sink[s]

Notes and Cautions

1. If only ONE processor is to be used, it must be installed in the Processor 1 Socket (CPU1), closest to the edge of the server board.
2. Do not mix processors of different types or frequencies.
3. When unpacking a processor, hold it only by the edges to avoid touching the pins.
4. This server board has "zero-insertion force" sockets. If processor does not drop easily into socket holes, make sure lever is in the full-open position and verify none of the processor pins is bent.
5. The heat sink has thermal interface material on the underside of it. Use caution so that you do not damage the thermal interface material.

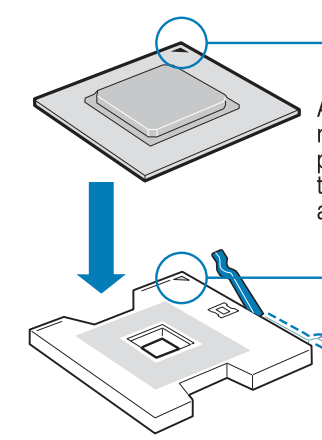
A. Open the Socket Lever

Open the lever all the way as shown.



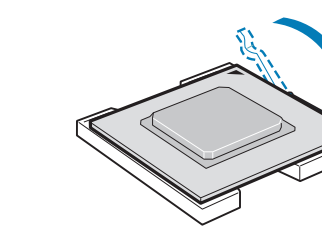
B. Install the Processor

Align corner mark on the processor to the socket as shown.



C. Close the Socket Lever

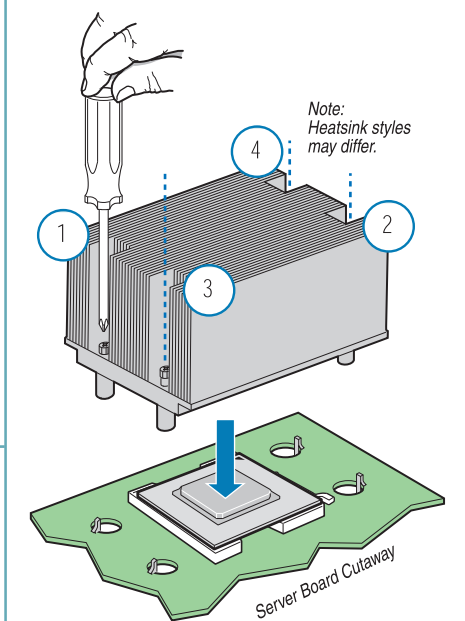
Close the lever all the way as shown.



D. Install the Heat Sink

The heat sink attaches directly to the standoffs installed in the bottom of your chassis. Each heat sink has four captive fasteners and should be tightened using the following procedure:

- A. Lightly tighten each fastener equally, working across the heatsink in a diagonal manner, as noted by numbers 1, 2, 3, and 4 in the diagram below. Working diagonally ensures the heat sink rests flatly over the processor.
- B. Securely re-tighten each fastener again in the same order as performed in step A.



4

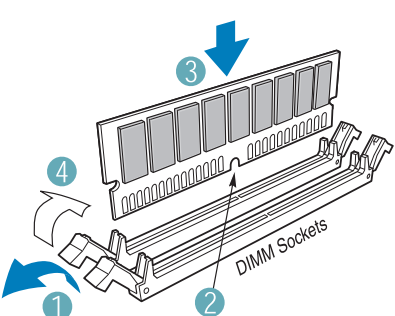
Install Memory DIMMs

Memory Type: Minimum of one 256MB, DDR266 or DDR333 compliant registered SDRAM 184-pin DIMM.

Notes and Cautions: Bank 1 (DIMM1B and DIMM1A) must be fully populated before populating Bank 2 (DIMM2B and DIMM2A). Memory must be populated in pairs, except when using a single DIMM in Bank 1.

The DIMM size, speed and vendor must be the same within a bank. However, the DIMM size can vary between banks. For example, Bank 1 can use two 256 MB DIMMs and Bank 2 can use two 512 MB DIMMs.

For information about memory sparing and memory mirroring, see the User Guide at <http://support.intel.com/support/motherboards/server/se7320vp2/>.



1. Open both DIMM socket levers.
2. Note location of alignment notch.
3. Insert DIMM making sure the connector edge of the DIMM aligns correctly with the slot.
4. Check that socket levers are securely latched.

Avoid touching contacts when handling or installing DIMMs.

5

Finishing Up the Hardware

A. Internal Connections

Refer to the references on the back of this document to complete your internal connections.

B. Complete Chassis Steps

Complete any remaining steps in your server chassis installation guide.

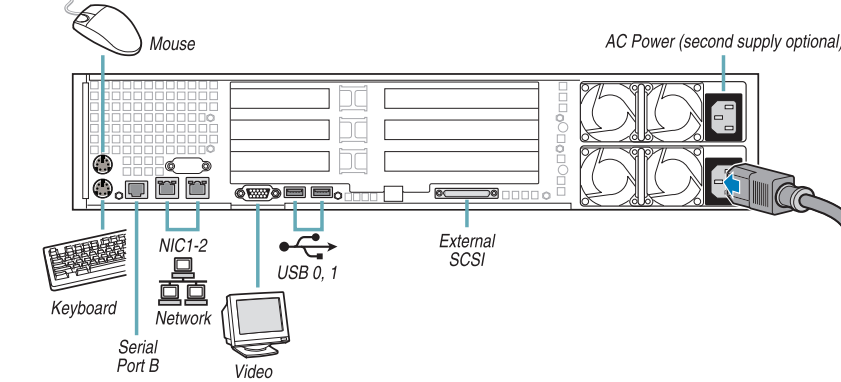
C. Configuration Label

Attach the configuration label to the inside cover of your chassis.

D. Back Panel Connections

Before installing your operating system, you must finish your chassis installation, make I/O connections and plug in AC power.

1. Replace the chassis cover.
2. Connect your keyboard, mouse, video, and other I/O cables as shown.
3. Connect the AC power cable last.



CAUTION: This unit must be operated with the TOP COVER installed to ensure proper cooling.

6

Drivers, Firmware, and Software Installation

A. Confirm BIOS and FRU/SDR Versions

Look on the Server/System Management screen in the BIOS Setup Utility to determine the installed BIOS and FRU/SDR versions. Compare these to the versions at <http://support.intel.com/support/motherboards/server/se7320vp2/>. If new versions are available, update the BIOS and FRU/SDR on your server. See the User Guide on the Intel Server Deployment Toolkit CD for update instructions.

B. Configure your Server with the Server Configuration Wizard

Boot to the Server Board SE7320VP2 Intel Server Deployment Toolkit CD. Select the Server Configuration Wizard to configure your server for remote server management. Unless you have downloaded a newer version of the FRU/SDR from the Web, use the Server Configuration Wizard also to load the FRU/SDR.

C. Configure your RAID Controller (optional)

Use the instructions provided with the RAID controller.

D. Install your Operating System

Use the instructions provided with the RAID controller and with the operating system.

E. Install Operating System Drivers

With the operating system running, insert the Intel Server Deployment Toolkit CD. If using a Windows operating system, the Express Installer will autorun and allow you to select the appropriate drivers to install. On other operating systems, browse the CD folders to locate and install the driver files.

F. Install Intel Server Management 8 (optional)

With the operating system running, insert the Intel Server Management 8 CD that came with your server board. On a Windows operating system, the Setup program will auto-run. Follow the on-screen instructions. For installation details, see *Getting Started with Intel Server Manager 8*, located on the ISM CD.

G. Install Intel SMaRT Tool (optional)

With the operating system running, insert the Intel Server Deployment Toolkit CD. The Express Installer will autorun. Click Intel SMaRT Tool at the left side of the screen. Follow the on-screen instructions. For information about the Intel SMaRT Tool, see <http://developer.intel.com/design/servers/smartool/index.htm>.

C71352-002

