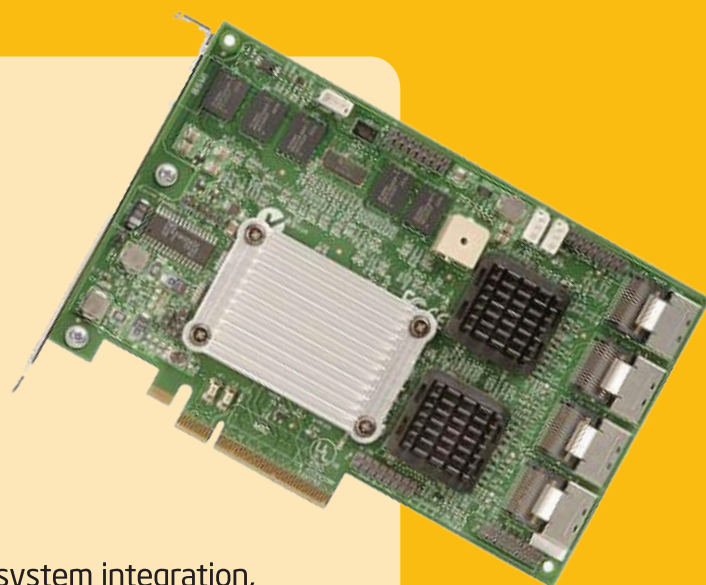


Intel® RAID Controller SRCASPH16I Quick Start User's Guide

This guide contains step-by-step instructions for installing Microsoft Windows Server 2003* / Microsoft Windows 2000* Advanced Server or Linux on a single RAID volume using available disks. If you plan to use a different operating system, need a more advanced RAID configuration, or need safety and regulatory information, see the Hardware and Software Guides. You can find these guides on the Resource CD accompanying the Intel® RAID Controller SRCASPH16I. These guides and other supporting documents (including a list of supported server boards) are also located on the web at: <http://support.intel.com/support/motherboards/server>.

If you are not familiar with ESD (Electrostatic Discharge) procedures used during system integration, see your Hardware Guide for complete ESD procedures. For more details on Intel® RAID controllers, see: www.intel.com/go/serverbuilder.



What you will need

- SAS / SATA hard disk drives
- Intel® RAID Controller SRCASPH16I
- Server board with a x8 or x16 PCI Express* slot
- Intel® RAID Controller SRCASPH16I Resource CD
- Operating system installation media: Microsoft Windows Server 2003*, Microsoft Windows 2000* Advanced Server, Red Hat* Linux, SUSE* Linux Enterprise Server, or Novell* NetWare 6.5

Important Information

You can find the Hardware and Software Guides on the Resource CD that accompanied the Intel® RAID Controller SRCASPH16I.

These guides and other supporting documents (including a list of supported server boards) are located on the web at: <http://support.intel.com/support/motherboards/server>.

Optional Accessory

You may want to purchase and install the optional Intel® RAID Smart Battery AXRSBBU3. This battery provides power to the RAID controller RAM to prevent data loss during a power outage.

If you choose to purchase and install this accessory, see the installation instructions that come with the RAID Smart Battery AXRSBBU3 before installing the RAID Controller SRCASPH16I into your server.



Building Value With Intel

Server Products, Programs and Support

Get the high-value server solutions you need by taking advantage of the outstanding value Intel provides to system integrators:

- High-quality server building blocks
- Extensive breadth of server building blocks
- Solutions and tools to enable e-Business
- Intel® Server Management
- Comprehensive training services
- Worldwide 24x7 technical support (AT&T Country Code + 866-655-6565)*
- World-class service, including a three-year limited warranty and Advanced Warranty Replacement!

For more information on Intel's added-value server offerings, visit the Intel® ServerBuilder website at: www.intel.com/go/serverbuilder.

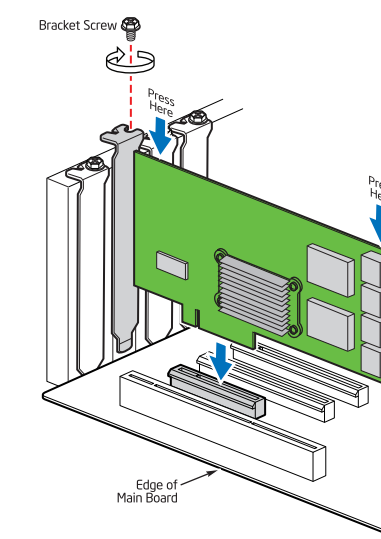
Intel® ServerBuilder is your one-stop shop for information about all of Intel's Server Building Blocks such as:

- Product information, including product briefs and technical product specifications
- Sales tools, such as videos and presentations
- Training information, such as the Intel® Online Learning Center
- Support Information and much more

*Available only to Intel® Channel Program Members, part of Intel® e-Business Network.

1 Install the Intel® RAID Controller SRCASPH16I

- 1 Power down the system, disconnect power cord(s), and remove the system cover.
- 2 Install the Intel® RAID Controller SRCASPH16I into an available x8 or x16 PCI Express* slot.



Note: See your server board and chassis documentation for add-in card installation procedure(s).

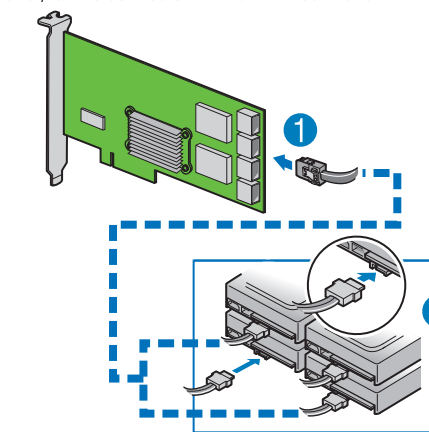
2 Attach SAS / SATA Cables

To attach a cable that connects to a backplane board, see your server board and chassis documentation.

See the "Intel® RAID Controller SRCASPH16I Diagram" on side 2 of this Quick Start User's Guide for SAS / SATA connector locations.

- 1 Connect the wide end of the provided SAS / SATA cables to connectors J4, J5, J9, and J13 on the Intel® RAID Controller SRCASPH16I.

Note: The cables lock into the J4, J5, J9, and J13 connectors. If you later need to remove a cable, press down firmly on the metal spring to disengage the two hooks that hold the end of the cable in place. While holding the tab down, pull the cable end from the onboard connector. Pulling on the cable or the cable connector without disengaging the hooks will damage the cable and / or the connector on the RAID controller.



- 2 Connect the other end(s) of the SAS / SATA cable(s) to the SAS / SATA drives or to SAS / SATA connectors on an expander or non-expander-based drive bay(s) or backplane(s).

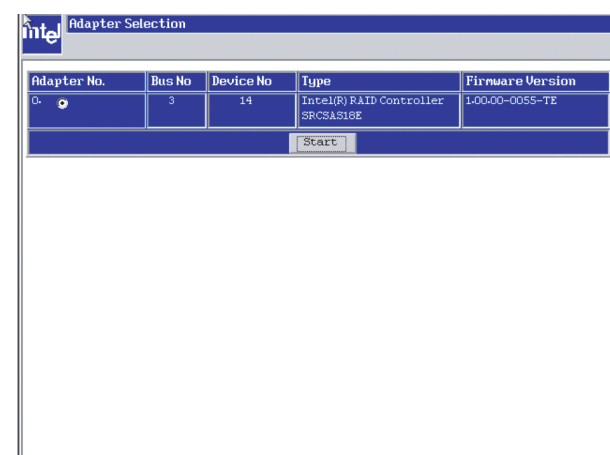
3 Use the Intel® RAID BIOS Console 2 Utility to Create a RAID Volume

Note: As necessary, see "Choosing the Right RAID Level" on side 2 of this Quick Start User's Guide for a brief description of RAID levels.

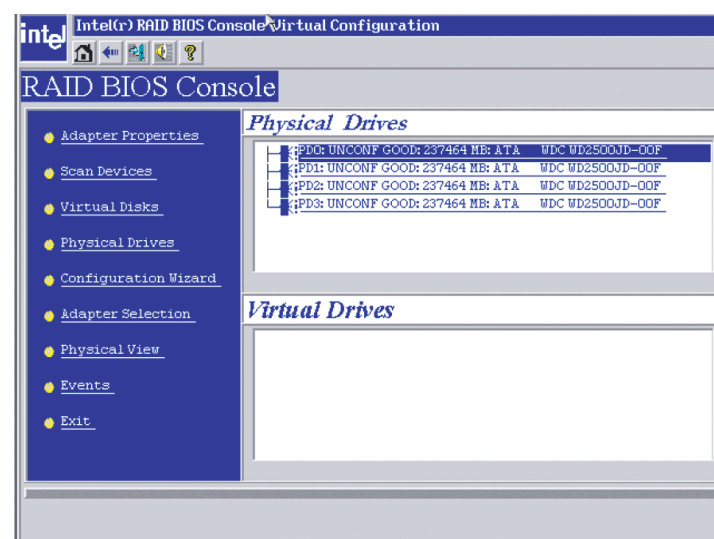
- 1 Power on the system and press <Ctrl>+<G> when the screen below is displayed.



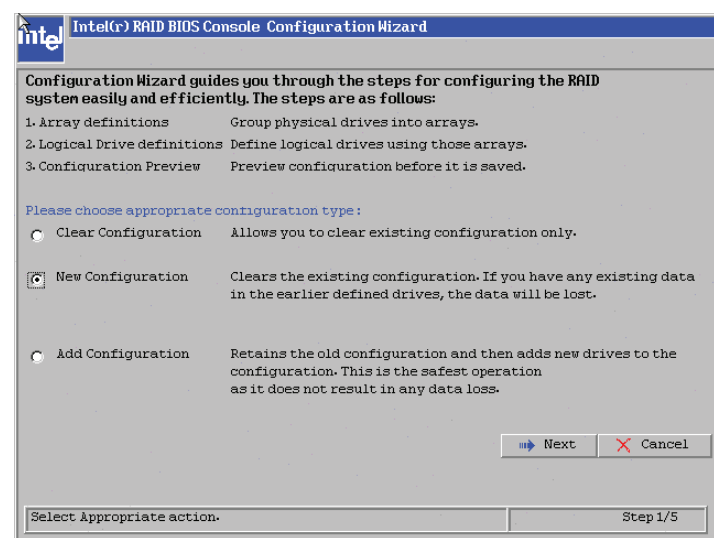
- 2 When Intel® RAID BIOS Console 2 starts, it will display the Intel® RAID Controller SRCASPH16I installed in the system. Click on the "Adapter No." radio button, then click **Start**.



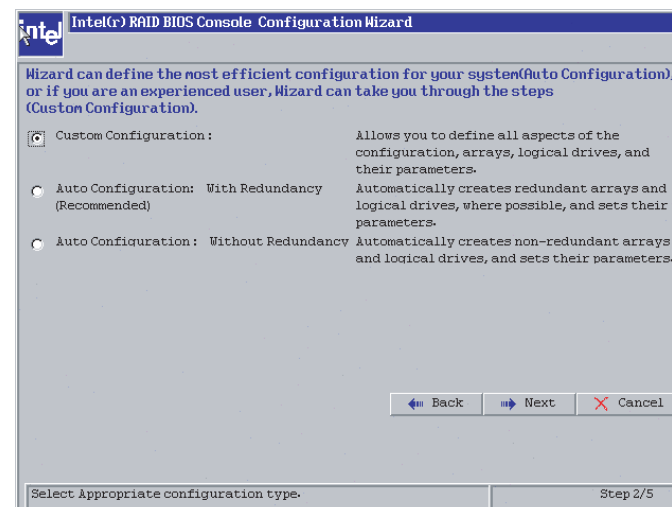
- 3 After a brief pause, the Intel® RAID BIOS Console 2 screen is displayed. Click **Configuration Wizard**.



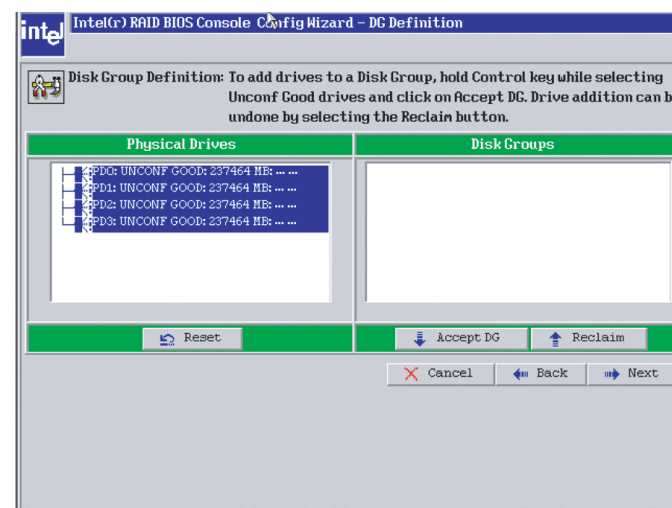
- 4 Select **New Configuration** and click **Next**.



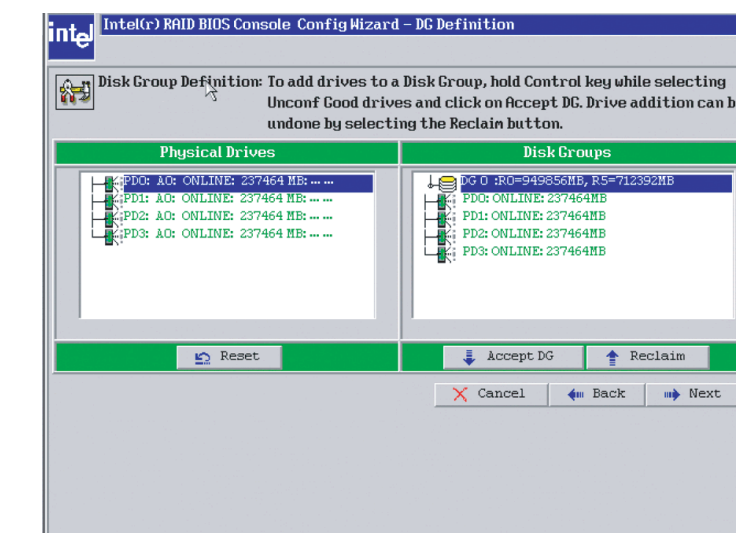
- 5 For this example, **Custom Configuration** is used. Click **Next**. (For further information, see the Software Guide on the Resource CD.)



- 6 Add physical drives to the array by pressing the Ctrl key while clicking on entries under Physical Drives. Once you have selected all of the drives you wish to add to the array, click **Accept DG**. Click **Next**.



- 7 Define further arrays or click **Accept DG** if finished. Click **Next**.



- 8 Select the **RAID Level** from the pull-down box. Select the **Stripe Size**. Enter the size of the logical drive. Click **Accept**. Click **Next** if the program does not automatically progress to the next screen.

