

Intel® Entry Storage System SS4200-E User Guide

**A Guide for Technically Qualified Assemblers of Intel® Identified Subassemblies/
Products**

Intel Order Number E20699-002

Disclaimer

Information in this document is provided in connection with Intel® products. No license, express or implied, by estoppel or otherwise, to any intellectual property rights is granted by this document. Except as provided in Intel's Terms and Conditions of Sale for such products, Intel assumes no liability whatsoever, and Intel disclaims any express or implied warranty, relating to sale and/or use of Intel® products including liability or warranties relating to fitness for a particular purpose, merchantability, or infringement of any patent, copyright or other intellectual property right. Intel products are not designed, intended or authorized for use in any medical, life saving, or life sustaining applications or for any other application in which the failure of the Intel product could create a situation where personal injury or death may occur. Intel may make changes to specifications and product descriptions at any time, without notice.

Intel® server boards contain a number of high-density VLSI and power delivery components that need adequate airflow for cooling. Intel's own chassis are designed and tested to meet the intended thermal requirements of these components when the fully integrated system is used together. It is the responsibility of the system integrator that chooses not to use Intel developed server building blocks to consult vendor datasheets and operating parameters to determine the amount of airflow required for their specific application and environmental conditions. Intel Corporation can not be held responsible if components fail or the server board does not operate correctly when used outside any of their published operating or non-operating limits.

Intel, Intel Pentium, and Intel Xeon are trademarks or registered trademarks of Intel Corporation or its subsidiaries in the United States and other countries.

* Other names and brands may be claimed as the property of others.

Copyright © 2007, Intel Corporation. All Rights Reserved

Safety Information

Important Safety Instructions

Read all caution and safety statements in this document before performing any of the instructions. See also Intel Server Boards and Server Chassis Safety Information on the *Intel® Server Deployment Toolkit CD* and/or at <http://support.intel.com/support/motherboards/server/sb/cs-010770.htm>.

Wichtige Sicherheitshinweise

Lesen Sie zunächst sämtliche Warnung und Sicherheitshinweise in diesem Dokument, bevor Sie eine der Anweisungen ausführen. Beachten Sie hierzu auch die Sicherheitshinweise zu Intel-Serverplatinen und Servergehäusen auf der *Intel® Server Deployment Toolkit CD* oder unter <http://support.intel.com/support/motherboards/server/sb/cs-010770.htm>.

Consignes de sécurité

Lisez attention toutes les consignes de sécurité et les mises en garde indiquées dans ce document avant de suivre toute instruction. Consultez Intel Server Boards and Server Chassis Safety Information sur le *Intel® Server Deployment Toolkit CD* ou bien rendez-vous sur le site <http://support.intel.com/support/motherboards/server/sb/cs-010770.htm>.

Instrucciones de seguridad importantes

Lea todas las declaraciones de seguridad y precaución de este documento antes de realizar cualquiera de las instrucciones. Vea Intel Server Boards and Server Chassis Safety Information en el *Intel® Server Deployment Toolkit CD* y/o en <http://support.intel.com/support/motherboards/server/sb/cs-010770.htm>.

重要安全指导

在执行任何指令之前，请阅读本文件中的所有注意事项及安全声明。并参阅 <http://support.intel.com/support/motherboards/server/sb/CS-010770.htm> 上的 *Intel Server Boards and Server Chassis Safety Information*（《Intel 服务器主板与服务器机箱安全信息》）。

Warnings

These warnings and cautions apply whenever you remove the enclosure cover to access components inside the storage system. Only a technically qualified person should maintain or configure the storage system.

Heed safety instructions: Before working with your storage product, whether you are using this guide or any other resource as a reference, pay close attention to the safety instructions. You must adhere to the assembly instructions in this guide to ensure and maintain compliance with existing product certifications and approvals. Use only the described, regulated components specified in this guide. Use of other products / components will void the UL listing and other regulatory approvals of the product and will most likely result in noncompliance with product regulations in the region(s) in which the product is sold.

System power on/off: The power button DOES NOT turn off the system AC power. To remove power from storage system, you must unplug the AC power cord from the wall outlet or the chassis. Make sure the AC power cord is unplugged before you open the chassis, add, or remove any components.

Hazardous conditions, devices and cables: Hazardous electrical conditions may be present on power, telephone, and communication cables. Turn off the storage system and disconnect the power cord, telecommunications systems, networks, and modems attached to the storage system before opening it. Otherwise, personal injury or equipment damage can result.

Electrostatic discharge (ESD) and ESD protection: ESD can damage disk drives, boards, and other parts. We recommend that you perform all procedures in this document only at an ESD workstation. If one is not available, provide some ESD protection by wearing an anti-static wrist strap attached to chassis ground (any unpainted metal surface) on your storage system when handling parts.

ESD and handling boards: Always handle boards carefully. They can be extremely sensitive to ESD. Hold boards only by their edges. Do not touch the connector contacts. After removing a board from its protective wrapper or from the storage server, place the board component side up on a grounded, static-free surface. Use a conductive foam pad if available but not the board wrapper. Do not slide board over any surface.

Installing or removing jumpers: A jumper is a small plastic encased conductor that slips over two jumper pins. Some jumpers have a small tab on top that you can grip with your fingertips or with a pair of fine needle nosed pliers. If your jumpers do not have such a tab, take care when using needle nosed pliers to remove or install a jumper; grip the narrow sides of the jumper with the pliers, never the wide sides. Gripping the wide sides can damage the contacts inside the jumper, causing intermittent problems with the function controlled by that jumper. Take care to grip with, but not squeeze, the pliers or other tool you use to remove a jumper, or you may bend or break the pins on the board.

Reinstalling enclosure cover: For proper cooling and airflow, always install the enclosure cover before turning on the storage system. Operating it without the enclosure cover in place can damage system parts.

Preface

About this Manual

Thank you for purchasing and using the Intel® Entry Storage System SS4200-E.

This manual is written for system technicians who are responsible for configuring, troubleshooting, upgrading, and repairing this storage system. This document provides a brief overview of the features of the product, a list of accessories or other components you may need, troubleshooting information, and instructions on how to add and replace components on the Intel® Entry Storage System SS4200-E. For the latest version of this manual, see <http://support.intel.com/support/motherboards/server/ss4200-e/>.

Product Contents, Order Options, and Accessories

Your storage system ships with the following items:

- Intel® Entry Storage System SS4200-E
- Attention document, in the product box
- *Intel® Entry Storage System SS4200-E Quick Start User's Guide*, in the product box
- AC power cord (North America only)
- RVR (rotational vibration reduction) hard drive screws
- Resource CD

In addition, you may need or want to purchase the following accessory item for your storage system:

- Hard drives

For information about which accessories, memory, and third-party hardware have been tested and can be used with your storage system, and for ordering information for Intel® products, see <http://support.intel.com/support/motherboards/server/ss4200-e/compat.htm>.

Additional Information and Software

If you need more information about this product or information about the accessories that can be used with this storage system, use the following resources. These files are available at <http://support.intel.com/support/motherboards/server/ss4200-e/>

Unless otherwise indicated in the following table, once on this Web page, type the document or software name in the search field at the left side of the screen and select the option to search “This Product.”

For this information or software	Use this Document or Software
For in-depth technical information about this product	<i>Intel® Entry Storage System SS4200-E Technical Product Specification</i> http://support.intel.com/support/motherboards/server/ss4200-e/
If you just received this product and need to install it	<i>Intel® Entry Storage System SS4200-E Quick Start User's Guide</i> in the product box
Accessories or other Intel server products	Spares and Configuration Guide
Hardware (peripherals, hard disk drives) and operating systems that have been validated by Intel for this product	Tested Hardware and Operating Systems List http://support.intel.com/support/motherboards/server/ss4200-e/
For software to manage your Intel® storage system	Third-party software list

Contents

Safety Information	iii
Important Safety Instructions	iii
Wichtige Sicherheitshinweise	iii
Consignes de sécurité	iii
Instrucciones de seguridad importantes	iii
Warnings.....	iv
Preface	v
About this Manual	v
Product Contents, Order Options, and Accessories	v
Additional Information and Software	v
Storage System Features	1
Enclosure Core Product	1
Chassis	3
System Board Subsystem	3
System Board I/O Panel	4
System Board Layout	5
Front Panel	6
Rear Panel	6
Power Supply	7
Power Supply Output Loom	7
Cooling Fans	7
Drive Retention Assembly	7
Disk Drive Status Indicator	7
Spare Parts and Accessories	8
Getting Started	9
Planning Your Installation	9
Disk Drive Numbering Convention	9
Enclosure Installation Prerequisites	10
Preparation of Site and Host Server	10
Planning and Configuring Your Installation	10
Power Cord Connection	10
Grounding Checks	10
Operation	11
Before You Begin	11
Power On	11
Starting the Drives	11
Disk Drive Status LEDs	11

Contents

Front Panel LEDs and Switches.....	12
Power Down	13
Reset/Recovery.....	14
Hardware Installations and Upgrades	15
Before You Begin	15
Tools and Supplies Needed	15
System References	15
Installing Feet	15
Initial Setup	17
Converting Feet from Horizontal to Vertical Configuration	18
Converting Feet from Vertical to Horizontal Configuration	19
Removing or Installing the Enclosure Cover	19
Removing the Enclosure Cover	20
Installing the Enclosure Cover	21
Installing a Hard Drive.....	22
Replacing a Power Supply	25
Connecting the Power Cord	31
Grounding Checks	31
Replacing a Cooling Fan.....	32
Replacing Memory	41
Replacing the CMOS Battery	44
Boot Drive.....	47
Replacing an IDE DOM (if present)	47
Troubleshooting and Problem Solving	51
Overview	51
Initial Start-up Problems	51
LEDs	51
Front Panel	52
Troubleshooting	52
Power Supply Faults	52
Thermal Control	52
Disk Drive Status Faults	53
Dealing with Hardware Faults	53
Technical Specifications	55
Dimensions	55
Weight	55
AC Power Module (1 250-W Power Supply)	55
Power Cord	56
Cooling Fan	56
Environment	56
A Regulatory and Compliance Information	59
Product Regulatory Compliance	59

Intended Application	59
Product Safety Compliance	59
Product EMC Compliance - Class B Compliance	60
Certifications / Registrations / Declarations	60
Product Regulatory Compliance Markings	61
Electromagnetic Compatibility Notices	62
FCC Statement (USA)	62
ICES-003 (Canada)	63
Europe (CE Declaration of Conformity)	63
VCCI (Japan)	63
BSMI (Taiwan)	63
RRL (Korea)	64
End of Life / Product Recycling	64
Restriction of Hazardous Substances (RoHS) Compliance	64
B Warranty	65
Limited Warranty for Intel® Chassis Subassembly Products	65
Extent of Limited Warranty	65
Warranty Limitations and Exclusions	66
Limitations of Liability	66
How to Obtain Warranty Service	66
Telephone Support	67
Returning a Defective Product	67
C Getting Help	69
World Wide Web	69
Telephone	69
U.S. and Canada	69
Europe	69
In Asia-Pacific region	70
Japan	70
Latin America	70
D Installation/Assembly Safety Instructions	73
English	73
Deutsch	75
Français	78
Español	80
Italiano	82
E Safety Information	85
English	85
Safety Information	85
Safety Warnings and Cautions	85
Intended Application Uses	86
Site Selection	86
Equipment Handling Practices	86

Contents

Power and Electrical Warnings	86
System Access Warnings	87
Rack Mount Warnings	88
Electrostatic Discharge (ESD)	88
Other Hazards	89
Deutsch	90
Sicherheitshinweise für den Server	90
Sicherheitshinweise und Vorsichtsmaßnahmen	90
Zielbenutzer der Anwendung	91
Standortauswahl	91
Handhabung von Geräten	91
Warnhinweise für den Systemzugang	93
Elektrostatische Entladungen (ESD)	94
Andere Gefahren	95
Français	96
Consignes de sécurité sur le serveur	96
Sécurité: avertissements et mises en garde	96
Domaines d'utilisation prévus	97
Sélection d'un emplacement	97
Pratiques de manipulation de l'équipement	97
Décharges électrostatiques (ESD)	100
Autres risques	101
Español	102
Información de seguridad del servidor	102
Advertencias y precauciones sobre seguridad	102
Aplicaciones y usos previstos	103
Selección de la ubicación	103
Manipulación del equipo	103
Advertencias el acceso al sistema	105
Descarga electrostática (ESD)	106

List of Tables

Table 1. Spare Parts and Accessories	8
Table 2. Configuration Requirements.....	9
Table 3. Front Panel LED States.....	12
Table 4. Front Panel Push-button Functionality	13
Table 5. Reset/Recovery Functionality during Power-on	14

List of Tables

List of Figures

Figure 1. Intel® Entry Storage System SS4200-E	1
Figure 2. Rear View.....	2
Figure 3. Front View.....	2
Figure 4. Chassis	3
Figure 5. System Board I/O Panel Connectors	4
Figure 6. System Board Layout.....	5
Figure 7. Front Panel Components	6
Figure 8. Disk Drive Numbering Convention	9
Figure 9. Front Panel Components	12
Figure 10. System in Horizontal Configuration.....	16
Figure 11. System in Vertical Configuration	16
Figure 12. Orienting Feet for Initial Horizontal Configuration	17
Figure 13. Orienting Feet for Initial Vertical Configuration	17
Figure 14. Converting Feet from Horizontal to Vertical Configuration.....	18
Figure 15. Converting Feet from Vertical to Horizontal Configuration.....	19
Figure 16. Removing Enclosure Cover	20
Figure 17. Installing Enclosure Cover	21
Figure 18. Removing RVR Screws.....	22
Figure 19. Unlatching Drive Retention Bracket	23
Figure 20. Attaching RVR Screws to Hard Drive.....	23
Figure 21. Installing Hard Drive into Drive Tray	24
Figure 22. Connect SATA and Power Cables	24
Figure 23. Latching Drive Retention Bracket.....	25
Figure 24. Lifting Left Side of Drive Tray Assembly	26
Figure 25. Removing Airflow Baffle	26
Figure 26. Removing Faulty Power Supply	27
Figure 27. Removing Retention Tab from Old Power Supply	28
Figure 28. Installing New Power Supply.....	29
Figure 29. Replacing Airflow Baffle	30
Figure 30. Lowering Left Side of Drive Tray Assembly	30
Figure 31. Connecting Power Cord.....	31
Figure 32. Lifting Right Side of Drive Tray Assembly	33
Figure 33. Removing Right Fan Guard	33
Figure 34. Removing Right Cooling Fan from System	34
Figure 35. Installing New Right Cooling Fan	35
Figure 36. Re-installing Right Fan Guard.....	35
Figure 37. Lowering Right Side of Drive Tray Assembly.....	36
Figure 38. Lifting Left Side of Drive Tray Assembly	37
Figure 39. Removing Left Fan Guard.....	37
Figure 40. Removing Left Cooling Fan.....	38
Figure 41. Installing New Left Cooling Fan	39
Figure 42. Re-installing Left Fan Guard	40

List of Figures

Figure 43. Lowering Left Side of Drive Tray Assembly.....	40
Figure 44. Lifting Right Side of Drive Tray Assembly	41
Figure 45. Locating DIMM Socket and Removing Memory	42
Figure 46. Installing New DIMM.....	43
Figure 47. Lowering Right Side of Drive Tray Assembly	43
Figure 48. Lifting Right Side of Drive Tray Assembly	44
Figure 50. Lowering Right Side of Drive Tray Assembly	46
Figure 51. Lifting Left Side of Drive Tray Assembly.....	47
Figure 52. Locating IDE Connector and Removing DOM	48
Figure 53. Installing IDE DOM	49
Figure 54. Lowering Left Side of Drive Tray Assembly.....	49

1 Storage System Features

The Intel® Entry Storage System SS4200-E is a custom enclosure that can house up to four low-profile (1-in high), 1.5/3.0 Gb/s, 3.5-in form factor SATA disk drives. Each individual drive is field replaceable.

Figure 1 shows a front view of the Intel® Entry Storage System SS4200-E.

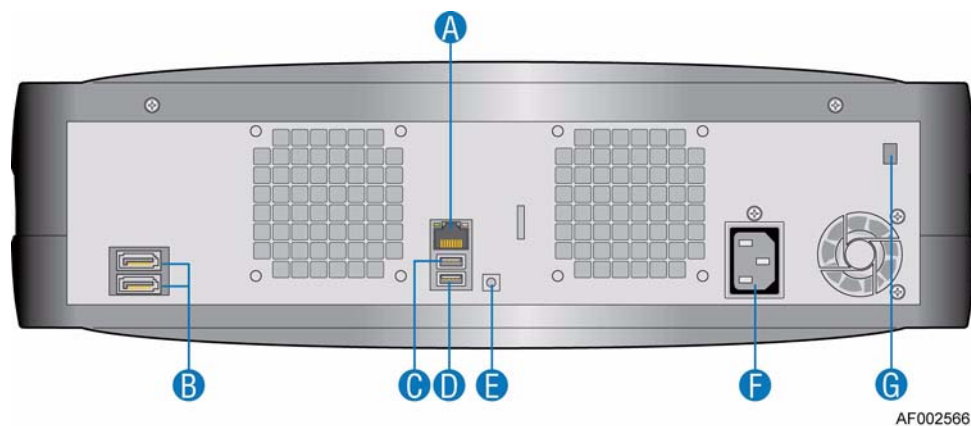


Figure 1. Intel® Entry Storage System SS4200-E

Enclosure Core Product

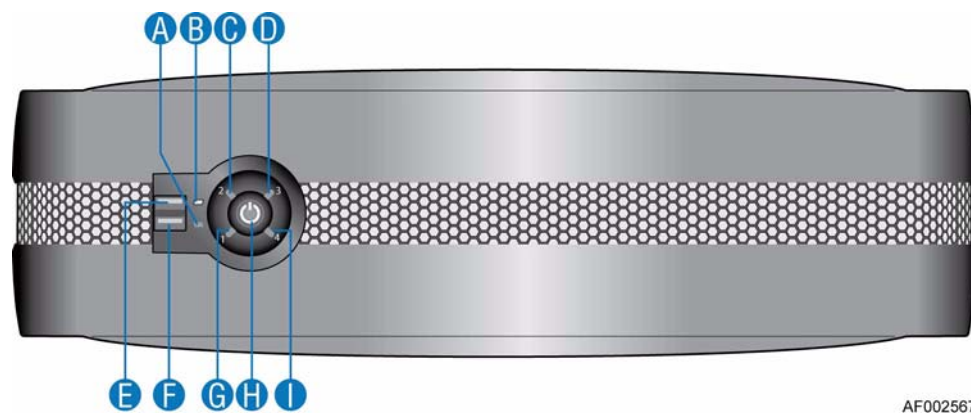
The Intel® Entry Storage System SS4200-E design concept is based on a custom enclosure and (*as supplied*) consists of:

- An enclosure chassis with:
 - A Front Panel
 - An integral Rear Panel
 - A 250-W power supply
- Two high-speed, single-rotor fans, which are individually pluggable
- Four drive carrier modules



A. NIC Port (1 Gb)	E. Reset Button
B. e-SATA Port	F. A/C Power
C. USB Port 2	G. Chassis Cable Lock
D. USB Port 3	

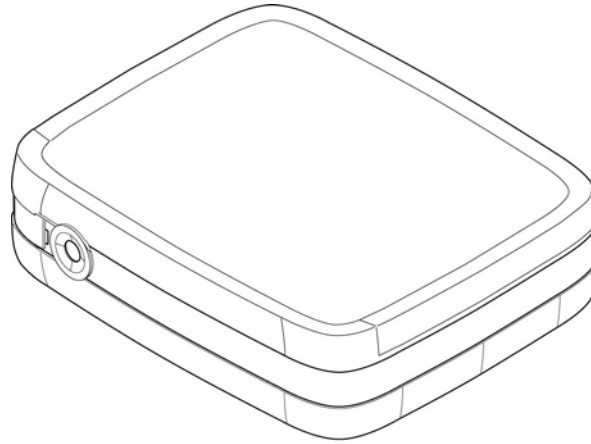
Figure 2. Rear View



A. NIC Activity LED	F. USB Port 1
B. Disk Drive Activity LED	G. Disk Drive 1 Status LED
C. Disk Drive 2 Status LED	H. Power/Status Push-button
D. Disk Drive 3 Status LED	I. Disk Drive 4 Status LED
E. USB Port 0	

Figure 3. Front View

Chassis



AF002568

Figure 4. Chassis

The chassis consists of a sheet metal assembly containing an integrated printed circuit board (PCB) and plastic skin.

A top cover on the chassis provides access to the cooling fans, system board, power supply and hard drives.

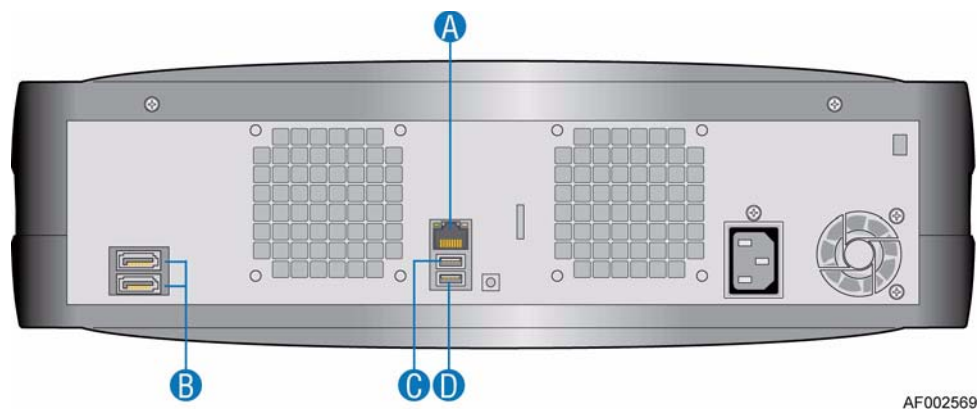
Important: *The chassis cover should only be removed by qualified service personnel as it provides access to a service area. Upon replacement, the cover MUST be secured by tightening the captive screws at the upper corners of the rear of the chassis.*

System Board Subsystem

The system board sub-system consists of:

- An Intel® designed system board
- A single PCI-e slot intended for debug purposes only

System Board I/O Panel



AF002569

A. NIC Port (1 Gb)	C. USB Port 2
B. e-SATA Port	D. USB Port 3

Figure 5. System Board I/O Panel Connectors

Connectors

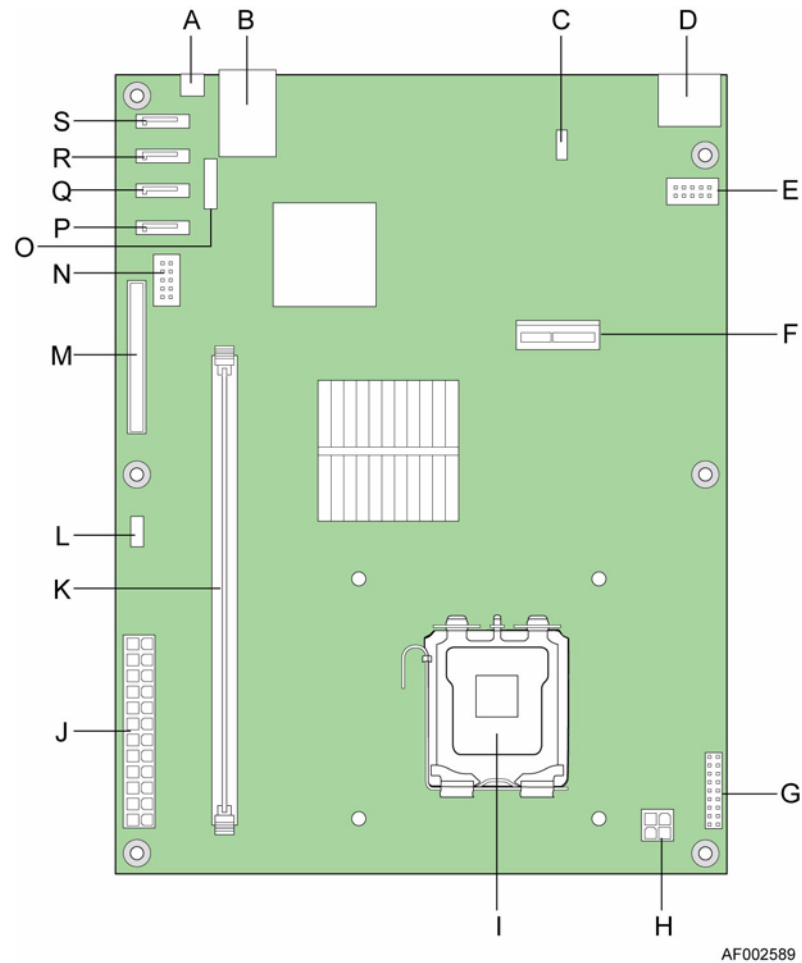
The following connectors are present on the system board I/O panel:

- One RJ-45 port - NIC 1 (1 Gb)
- One e-SATA port
- Two USB ports: 2 and 3

NIC LEDs

Two LEDs at the right and left of the NIC port provide information on NIC status.

System Board Layout



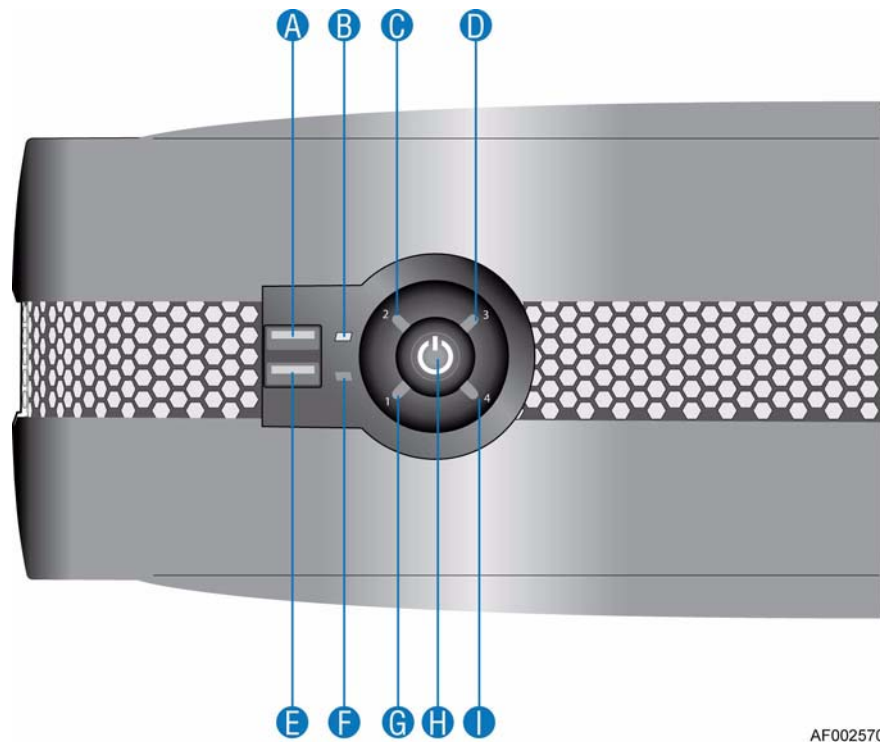
A. Reset / Recovery Button	K. DIMM Slot
B. LAN Port / USB Port	L. Left Cooling Fan Connector
C. Right Cooling Fan Connector	M. IDE DOM Connector
D. e-SATA Connectors	N. USB Header
E. RS-232 Debug Port	O. CMOS Battery
F. PCI-e Debug Port	P. SATA 4 Connector
G. Front Panel Header	Q. SATA 3 Connector
H. CPU Power Connector	R. SATA 2 Connector
I. CPU Processor	S. SATA 1 Connector
J. Main Power Connector	

Figure 6. System Board Layout

Front Panel

A Front Panel, consisting of two USB ports, six LEDs and one lighted power/status push-button, is present on the front of the enclosure.

Important: The Front Panel is an integral part of the enclosure assembly and is not field replaceable.



AF002570

A. USB Port 0	B. Disk Drive Activity LED
C. Disk Drive 2 Status LED	D. Disk Drive 3 Status LED
E. USB Port 1	F. NIC Activity LED
G. Disk Drive 1 Status LED	H. Power/Status Push-button
I. Disk Drive 4 Status LED	

Figure 7. Front Panel Components

For a full description of Front Panel LED and switch functions, see “Front Panel LEDs and Switches” on page 12.

Rear Panel

Important: The Rear Panel is an integral part of the chassis assembly and is not field replaceable.

A Rear Panel, consisting of a network connector, a dual e-SATA port and two USB connectors, is present on the rear of the chassis.

Power Supply

AC-DC power is provided by an enclosed power supply with specific load capability, mechanical packaging and output loom to suit this product.

The power supply voltage operating ranges are nominally 100V - 240V AC, selected automatically.

Power Supply Output Loom

The power supply output loom provides the following outputs:

- P1 system board main power connector (24 pin)
- P2 processor power connector (4 pin)
- P3, P4, P6 and P7 peripheral power connector (4 x 5-pin)
- P5 IDE DOM connector (4 pin)

Cooling Fans

Two high-speed single-rotor fans are located at the rear of the enclosure.

Airflow is front to rear with cooling air being drawn across the drives, through the fans and exiting the rear of the chassis. Perforations at the rear of the chassis allow cooling air to flow over the processor heatsink and system board.

Drive Retention Assembly

The drive retention assembly consists of a “gull wing” design assembly mounted via a pivot point in the center of the chassis. Each side of the drive retention assembly can house two low-profile, 1.0-inch high, 3.5-inch form factor SATA disk drives.

Each disk drive is retained in a custom retention device which affords the drive with maximum physical protection and minimizes rotational vibration.

Disk Drive Status Indicator

Four status LEDs on the Front Panel (one for each SATA disk drive) provide a visual indication of hard drive functionality. See [“Front Panel Components” on page 6](#) for the location of the disk drive status LEDs. See [“Front Panel LED States” on page 12](#) for a description of disk drive status LED states.

Spare Parts and Accessories

The following replaceable parts are available for the Intel® Entry Storage System SS4200-E.

Table 1. Spare Parts and Accessories

Part Number	Description
FXXSS4200EPSU	Power supply
FXXSS4200EFAN	Cooling fan
FXXSS4200ESCR	RVR (Rotational Vibration Reduction) screw

2 Getting Started

In this chapter, you are shown how to setup your Intel® Entry Storage System SS4200-E.

Caution: When connecting up the Intel® Entry Storage System SS4200-E, use only the power cord supplied or a power cord which matches the specific voltage and frequency of your country.

Planning Your Installation

Important: Installation procedures should be performed by service personnel only.

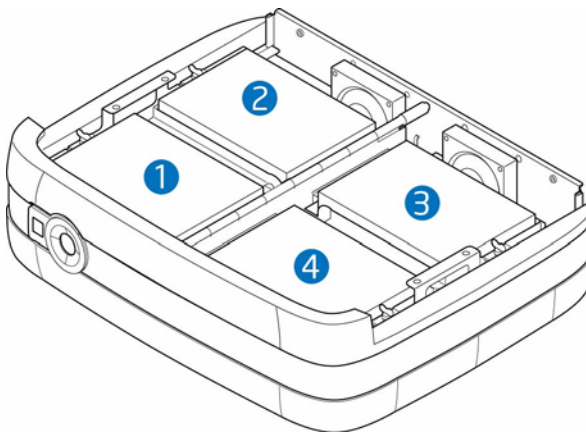
Before beginning installation of your Intel® Entry Storage System SS4200-E, familiarize yourself with the configuration requirements listed in the following table.

Table 2. Configuration Requirements

Component	Location
Drive Retention Assembly	Number of minimum required disk drives is dependent on type of operating system and storage management software installed. See your software documentation for disk drive requirements.

Disk Drive Numbering Convention

The disk drive numbering convention in the drive retention assembly is as follows:



AF002618

Figure 8. Disk Drive Numbering Convention

Enclosure Installation Prerequisites

Caution: *Ensure that you have fitted and checked a suitable anti-static wrist band or ankle strap and observe all conventional ESD precautions when handling system components. Avoid contact with the system board and other internal components.*

Preparation of Site and Host Server

Before beginning, make sure that the site where you intend to set up and use your Intel® Entry Storage System SS4200-E has standard AC power available from an independent source or a power distribution unit with a UPS (universal power supply).

Adequate airflow around all grill surfaces of the storage system must be provided to ensure proper cooling of the system.

Planning and Configuring Your Installation

Refer to “[Planning Your Installation](#)” on page 9 for information on overall system configuration requirements.

Refer to the *Quick Start User’s Guide* that shipped with your system for instructions on initially setting up the Intel® Entry Storage System SS4200-E.

For third-party software solutions, refer to the documentation provided by your vendor for installing operating systems or additional hardware.

Power Cord Connection

Caution: *The power connection must always be disconnected prior to removing the power supply from the enclosure.*

See “[Connecting the Power Cord](#)” on page 31 for instructions on connecting your storage system to a power source.

Grounding Checks

The Intel® Entry Storage System SS4200-E must only be connected to a power source that has a safety electrical earth connection.

Before powering on, the earth connection to the system should be checked by a qualified technician.

3 Operation

Before You Begin

Before powering up the Intel[®] Entry Storage System SS4200-E ensure that all disk drives are correctly installed and locked down.

Power On

Caution: *Do not operate the Intel[®] Entry Storage System SS4200-E until the ambient temperature is within the specified operating range. If the drives have been recently installed, ensure they have had time to acclimate before operating them.*

Note: *See “Front Panel LEDs and Switches” on page 12 for details on Front Panel LEDs and related fault conditions.*

Apply AC main power to power on the system.

The Power/Status push-button on the Front Panel will light up a constant blue once power is activated and system is operational. The disk drive motors will also start running.

Starting the Drives

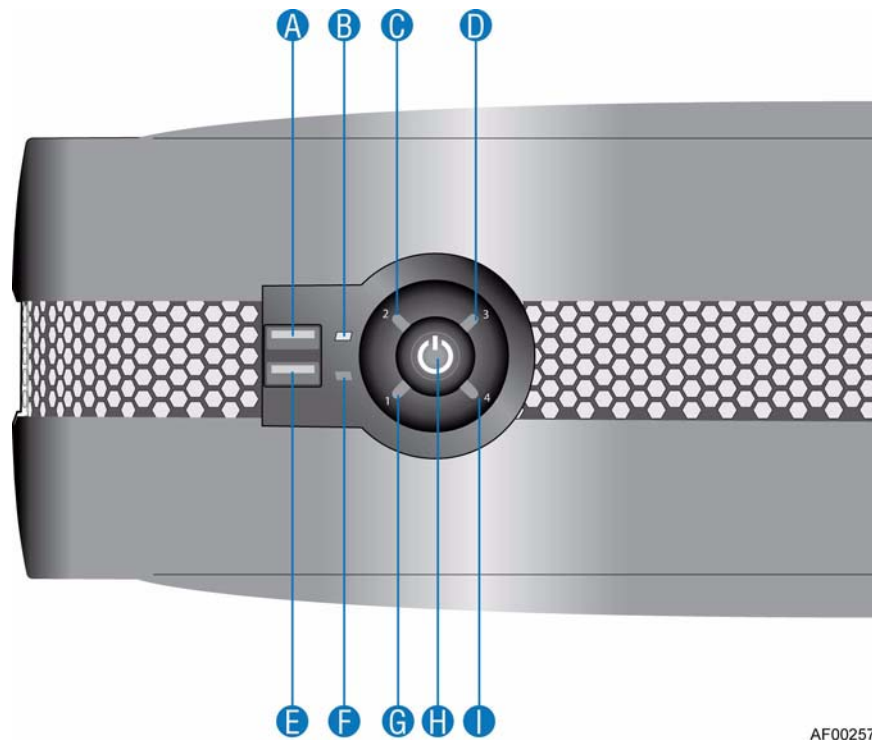
All drives in the chassis should automatically start their motors during power on. If this does not occur then there may be a power problem.

Disk Drive Status LEDs

Each disk drive has a corresponding status LED on the Front Panel. See “Front Panel LED States” on page 12 for information on illumination states. See “Disk Drive Numbering Convention” on page 9 for positional order of disk drives.

Front Panel LEDs and Switches

The Front Panel LED and push-button states are defined in [Table 3](#).



AF002570

A. USB Port 0	B. Disk Drive Activity LED
C. Disk Drive 2 Status LED	D. Disk Drive 3 Status LED
E. USB Port 1	F. NIC Activity LED
G. Disk Drive 1 Status LED	H. Power Button
I. Disk Drive 4 Status LED	

Figure 9. Front Panel Components

Table 3. Front Panel LED States

LED	Color	Definition
Power/Status Push-button LED	Constant blue	Power present. System is booted and operational.
	Flashing blue	System is in process of booting up.
	Amber	A critical or non-recoverable condition has occurred.
	Off	System is off. No power present.
Disk Drive Activity LED	Constant blue	Activity is present on any disk drive.

Table 3. Front Panel LED States

NIC Activity LED	Constant blue	Link is active.
	Flashing blue	Link activity is present.
Disk Drive Status LED	Constant blue	Drive is available
	Constant amber	Disk drive fault has occurred.
	Flashing amber	Disk drive is rebuilding.
	Off	Disk drive is not present.

Table 4. Front Panel Push-button Functionality

Push-button State	Definition
On/Off	<p>Function of this button is dependent on the enclosure status.</p> <p>If system is connected to power source but not operating: Press button to activate and commence boot process.</p> <p>If system is operating:</p> <ul style="list-style-type: none"> • Depress push-button for <3 seconds to shut down system gracefully. • Depress push-button for >4 seconds to perform a hard shut down of system.

Power Down

Note: Refer to your storage software documentation for any power down procedures before powering down the system.

To power down the system, either:

- Press the Power/Status push-button on the Front Panel for less than 3 seconds to perform a graceful shut down,

or

- Press the Power/Status push-button on the Front Panel for greater than 4 seconds to perform a hard shut down.

Reset/Recovery

Under normal operation, the storage system has the following boot order:

1. Internal hard drives (SATA)
2. If present, internal ATA interface (DOM)

System boot functionality is modified (as per the following table) if the reset/recovery button is depressed during system power on.

Table 5. Reset/Recovery Functionality during Power-on

Button	Location	Description
Reset/Recovery	Rear of storage device (see Figure 2 on page 2 for location of button)	On a Microsoft* Windows Home Server-based storage device, if the button is depressed during system power-on, the boot order is modified by the BIOS as follows: <ol style="list-style-type: none"> 1. USB flash device 2. USB CD/DVD device 3. ATA interface
		On a storage device that is NOT running Microsoft* Windows Home Server software, if pressed, the system will be reset to factory defaults (i.e., IP and password are set to default values).

4 Hardware Installations and Upgrades

This chapter provides instructions for removing, installing, and replacing storage system components in your Intel® Entry Storage System SS4200-E.

Caution: *When connecting the Intel® Entry Storage System SS4200-E to a power source, use either the power cord that shipped with the system, or match the power cord specifications listed under “Power Cord” on page 56.*

Caution: *It is recommended that you fit and check a suitable anti-static wristband and conductive foam pad and observe all conventional ESD precautions when handling storage system components.*

Before You Begin

Before working with your storage system, review the important ESD precaution and safety information listed in “Safety Information” on page 85.

Tools and Supplies Needed

- Phillips* (cross head) screwdriver (#1 bit and #2 bit)
- Needle-nosed pliers
- Anti-static wrist strap and conductive foam pad (recommended)

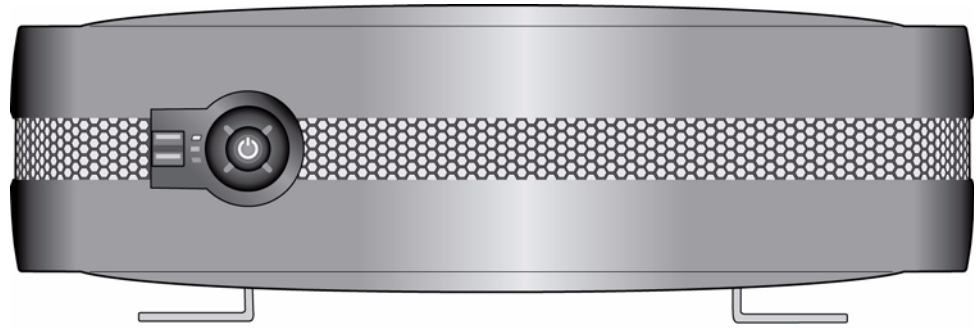
System References

All references to left, right, front, top, and bottom assume the reader is facing the front of the storage system.

Installing Feet

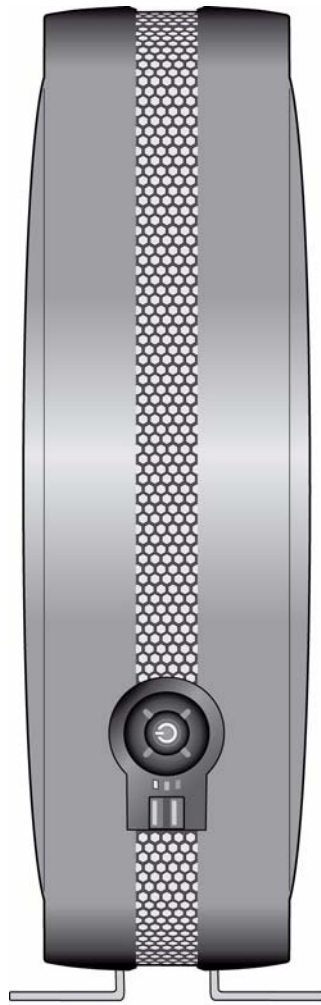
The Intel® Entry Storage System SS4200-E ships with no feet installed. You can configure the system for either horizontal or vertical orientation.

Note: *Feet should be installed for system stability and rotational vibration dampening.*



AF002572

Figure 10. System in Horizontal Configuration



AF002592

Figure 11. System in Vertical Configuration

Initial Setup

For Horizontal Configuration: Remove feet from package. Insert feet into horizontal position slots in chassis (see letter “A” in the following figure). Feet are keyed to fit only one way in slots.

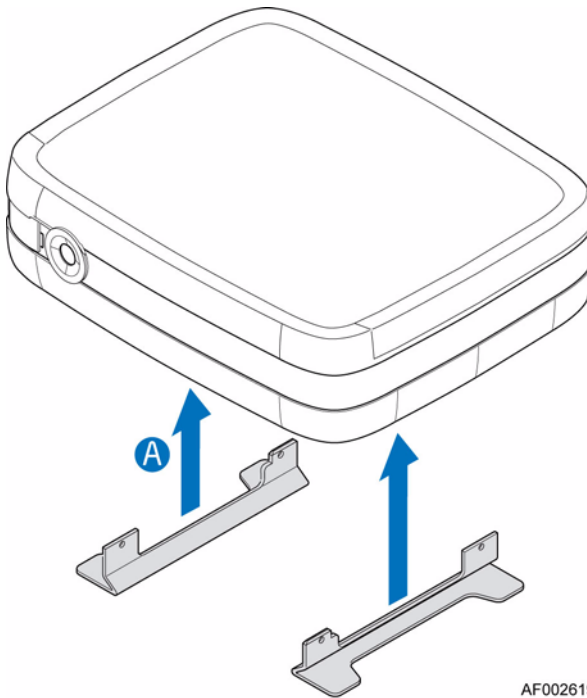


Figure 12. Orienting Feet for Initial Horizontal Configuration

For Vertical Configuration: Remove feet from package. Insert feet into vertical position slots in chassis (see letter “A” in the following figure). Feet are keyed to fit only one way.

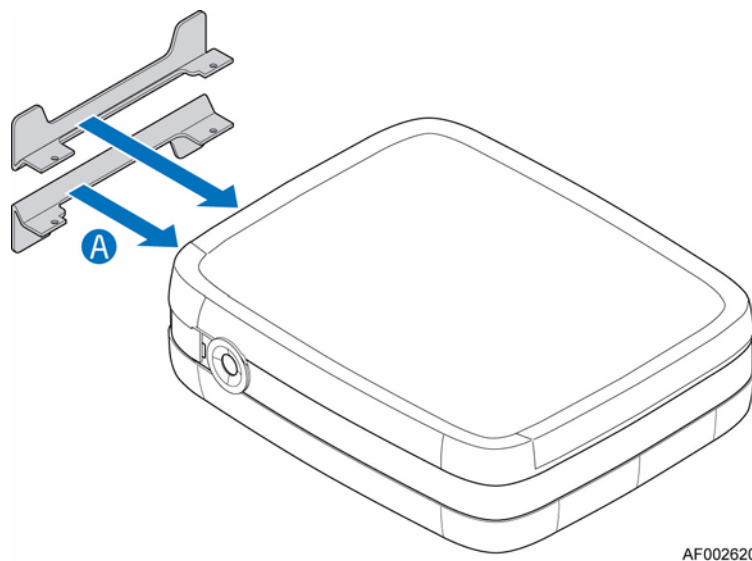


Figure 13. Orienting Feet for Initial Vertical Configuration

Converting Feet from Horizontal to Vertical Configuration

1. Remove feet from horizontal position slots in chassis (see letter “A” in the following figure) and insert into vertical position slots (see letter “B”). Feet are keyed to fit only one way in slots.

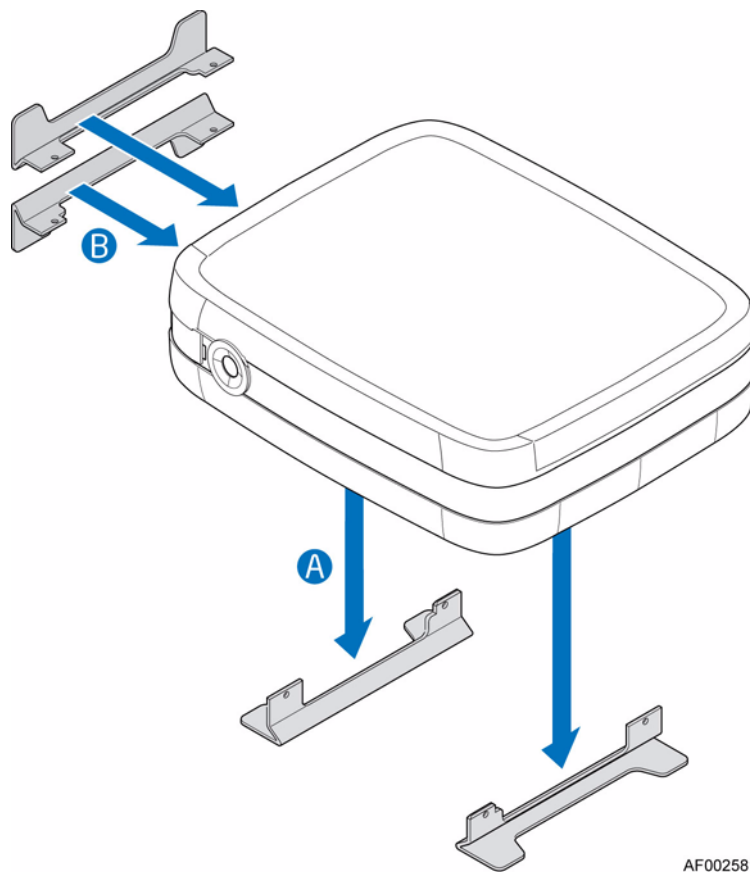


Figure 14. Converting Feet from Horizontal to Vertical Configuration

Converting Feet from Vertical to Horizontal Configuration

1. Remove feet from vertical position slots in chassis (see letter “A” in the following figure) and insert into horizontal position slots (see letter “B”).

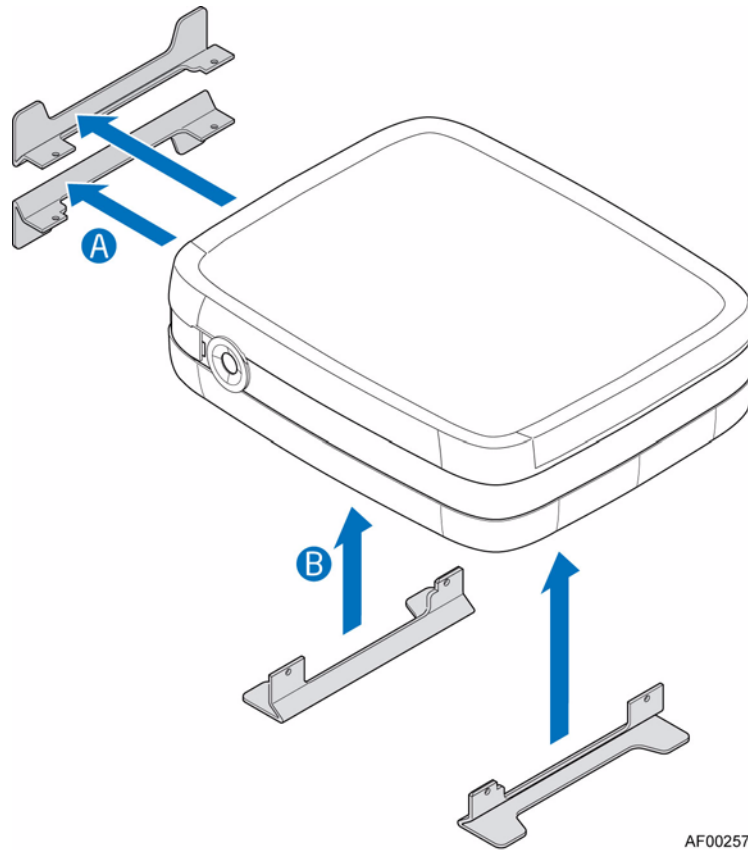


Figure 15. Converting Feet from Vertical to Horizontal Configuration

Removing or Installing the Enclosure Cover

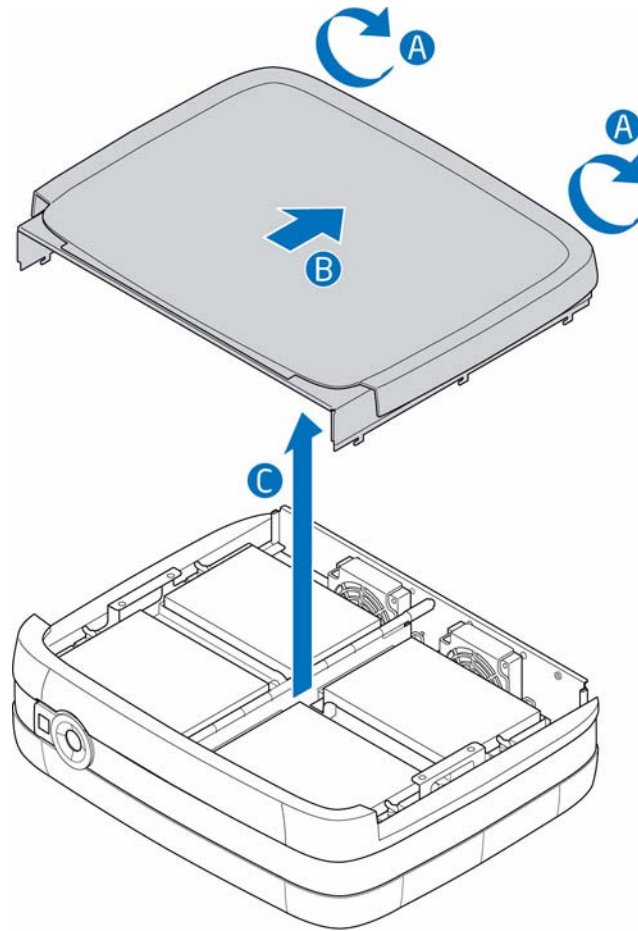
Warning: The enclosure cover must only be removed by a qualified service person as it provides access to a service area. Potential hazards include:

- Energy hazard
- Rotating fans
- Hot surfaces
- Access to power supply unit openings

Upon replacement, the cover **MUST** be secured by tightening the captive screws at the rear of the system. If needed, a Phillips* screwdriver can be used to tighten the screws.

Removing the Enclosure Cover

1. Observe all safety and ESD precautions listed in “Safety Information” on page 85.
2. Loosen the two captive screws at the rear of the system (see letter “A” in the following figure). Slide the enclosure cover to the rear (see letter “B”) and then lift upward to remove from the system.

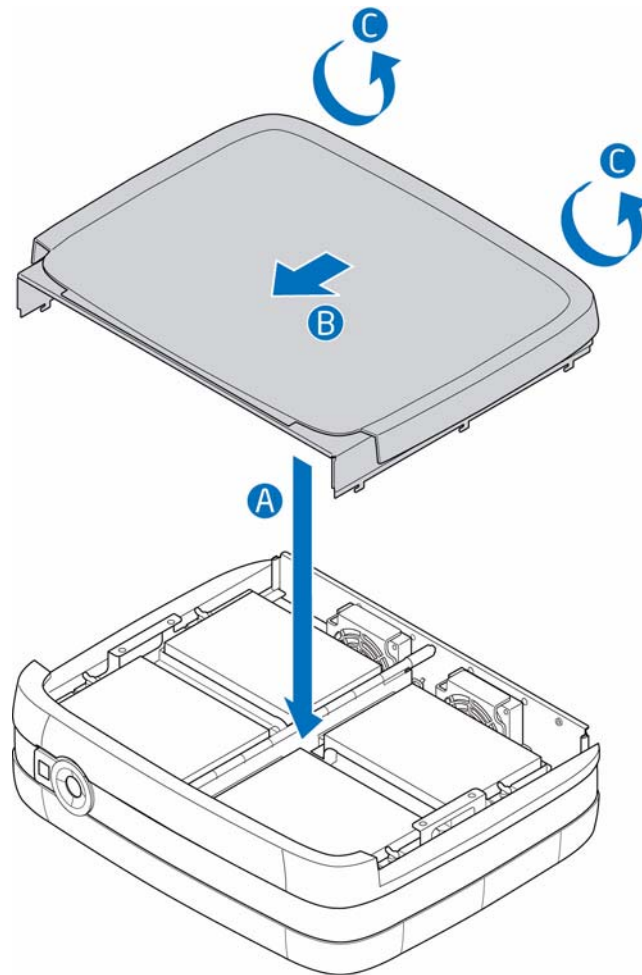


AF002583

Figure 16. Removing Enclosure Cover

Installing the Enclosure Cover

1. Observe all safety and ESD precautions listed in “[Safety Information](#)” on page 85.
2. Align the enclosure cover over the sides of the system (see letter “A” in the following figure). Slide the enclosure cover toward the front of the system (see letter “B”). Secure the enclosure cover to the system by tightening the captive screws at the rear of the system (see letter “C”).



AF002584

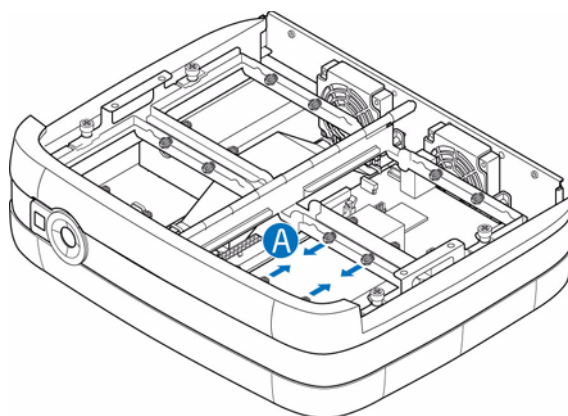
Figure 17. Installing Enclosure Cover

Installing a Hard Drive

1. Observe all safety and ESD precautions listed in “[Safety Information](#)” on page 85.
2. Turn off all peripheral devices connected to the storage system. Power down the storage system.
3. Disconnect the AC power cord.
4. Remove the enclosure cover. For instructions, see “[Removing the Enclosure Cover](#)” on page 20.
5. Remove the four RVR (rotational vibration reduction) screws from the drive retention bracket. See letter “A” in the following figure.

Note: RVR screws may be removed either prior to lifting the drive retention bracket or after lifting the drive retention bracket.

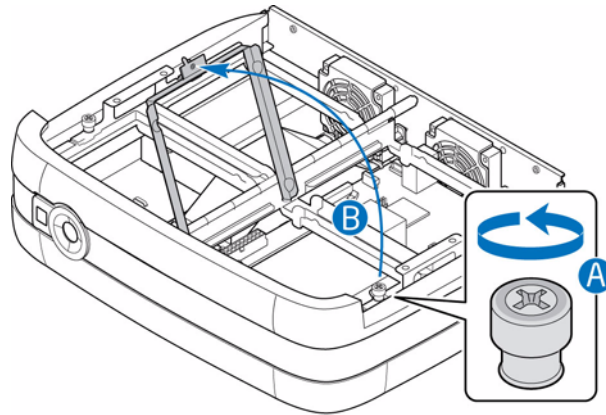
Note: Spare RVR screws are located at the front of the system, inside, by the front panel board.



AF002626

Figure 18. Removing RVR Screws

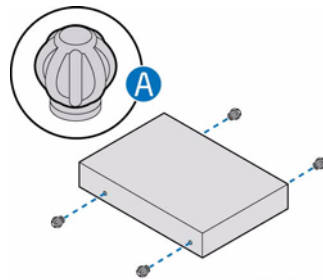
6. Loosen the captive screw at the front of the drive retention bracket (see letter “A” in the following figure) and lift up the bracket (see letter “B”).



AF002573

Figure 19. Unlatching Drive Retention Bracket

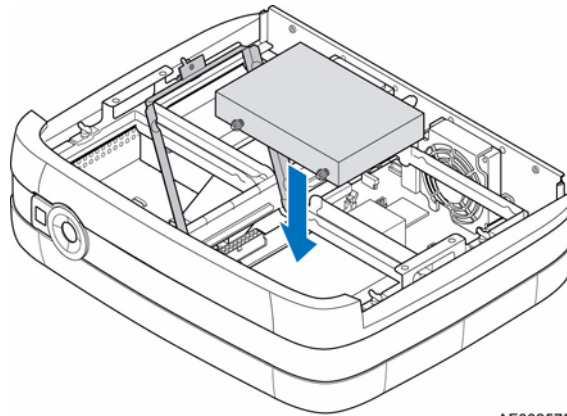
7. Remove new hard drive from packaging. Attach four RVR screws to the hard drive (see letter “A” in the following figure).



AF002574

Figure 20. Attaching RVR Screws to Hard Drive

8. Install hard drive into drive retention device.

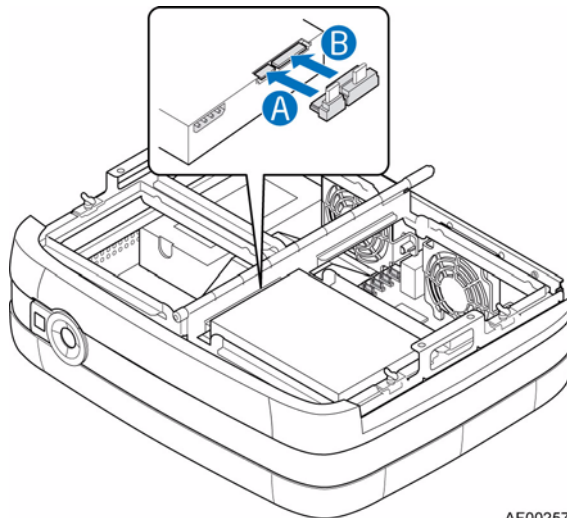


AF002575

Figure 21. Installing Hard Drive into Drive Tray

9. Connect the SATA cable from the system board (see letter “A” in the following figure). Connect the power cable from the power supply (see letter “B”).

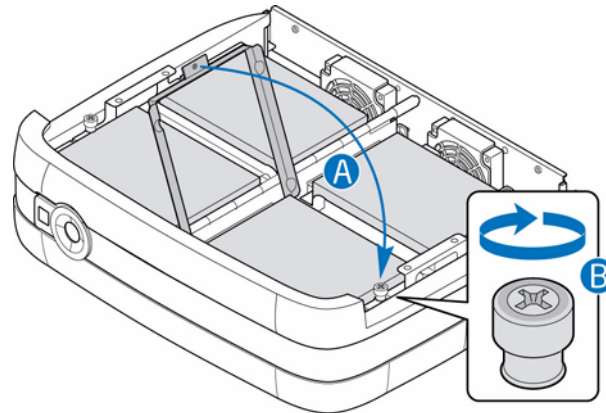
Note: You may connect the cables prior to placing the hard drive in the lower drive retention tray OR you may first secure the hard drive in the lower drive retention tray, flip the drive assembly over, and then connect the cables.



AF002578

Figure 22. Connect SATA and Power Cables

- Lower the drive retention bracket (see letter “A” in the following figure) and tighten the captive screw (see letter “B”).



AF002582

Figure 23. Latching Drive Retention Bracket

- Re-install the enclosure cover. For instructions, see “Installing the Enclosure Cover” on page 21.
- Reconnect all peripheral devices and the AC power cord. Power up the storage system.

Replacing a Power Supply

Warning: Do not remove covers from the power supply. Danger of electric shock exists inside. Return the power supply to your supplier for repair.

Warning: Removal of a power supply must only be performed by a qualified service person. Potential hazards include:

- Energy hazard
- Hot surfaces
- Access to power supply openings

Caution: Before performing any maintenance on the system, back up the data. Follow the instructions in the operating system manual or third-party software documentation for shutting down the system.

Warning: Upon completion of power supply replacement, the enclosure cover **MUST** be properly re-installed to ensure adequate cooling of the system.

- Check new power supply for damage. If any damage exists, return power supply to vendor for replacement.
- Observe all safety and ESD precautions listed in “Safety Information” on page 85.

3. Turn off all peripheral devices connected to the storage system. Power down the storage system.
4. Disconnect the AC power cord.
5. Remove the enclosure cover. For instructions, see [“Removing the Enclosure Cover”](#) on page 20.
6. Lift the left side of the drive tray assembly (see letter “A” in the following figure).

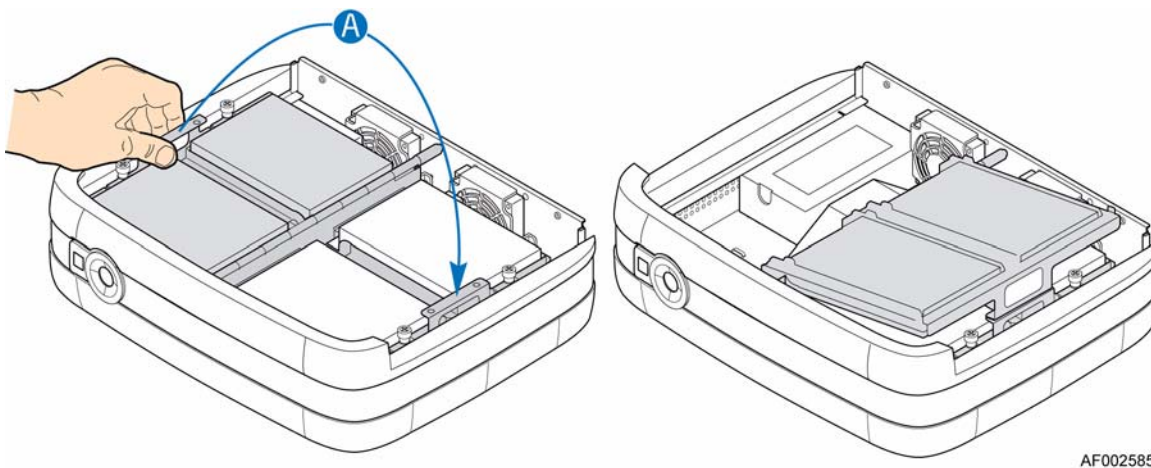


Figure 24. Lifting Left Side of Drive Tray Assembly

7. Remove the airflow baffle. This may require compressing the airflow baffle slightly to slide it out of the two chassis tabs at each end of the baffle.

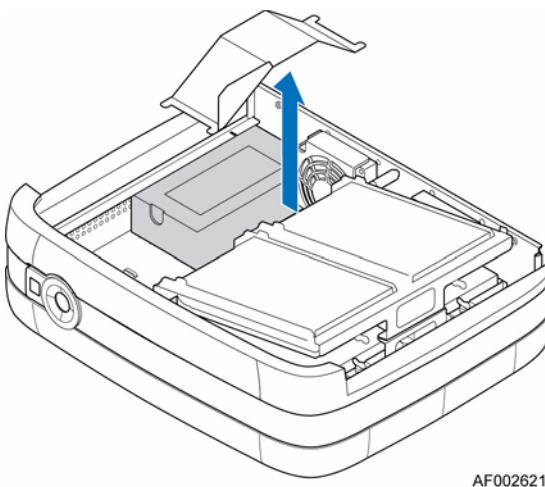
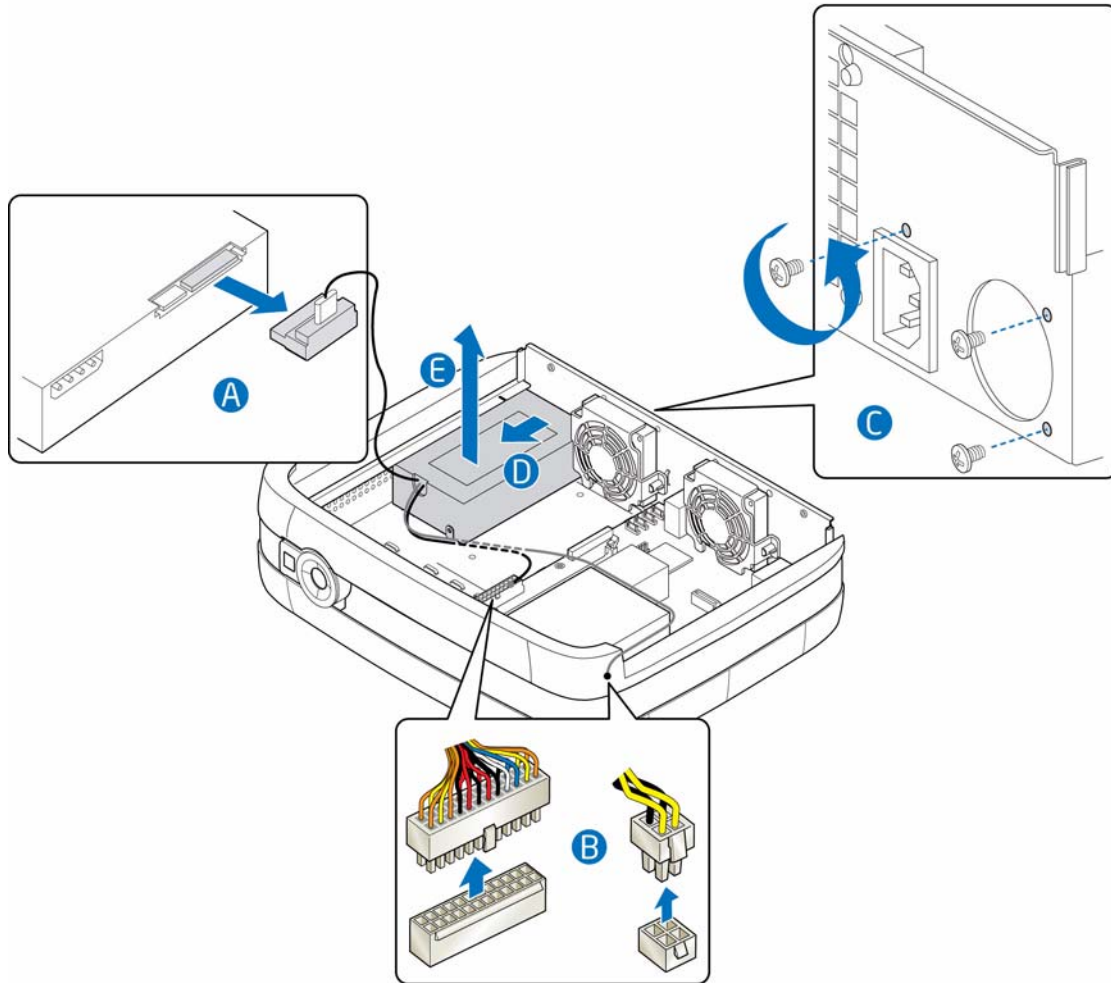


Figure 25. Removing Airflow Baffle

8. Disconnect the power cables from all installed hard drives (see letter “A” in the following figure). Disconnect the power cables from the main power and CPU power connectors on the system board (see letter “B”). Remove the three screws at the rear of chassis securing the power supply to the system (see letter “C”). Slide the power supply forward (see letter “D”) and then lift out of the system (see letter “E”).

Note: You may need to remove cable ties securing power cables to the middle of the drive tray assembly.



AF002588

Note: Drive tray assembly removed for illustrative purposes.

Figure 26. Removing Faulty Power Supply

9. Remove the retention tab from the old power supply (see letter “A” in the following figure).

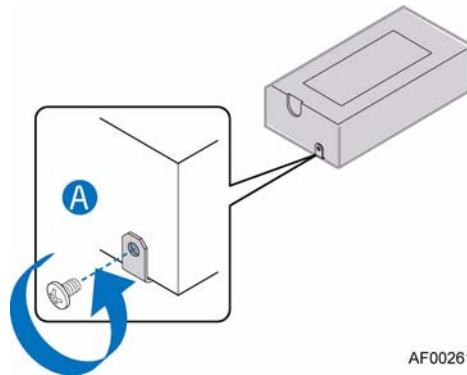
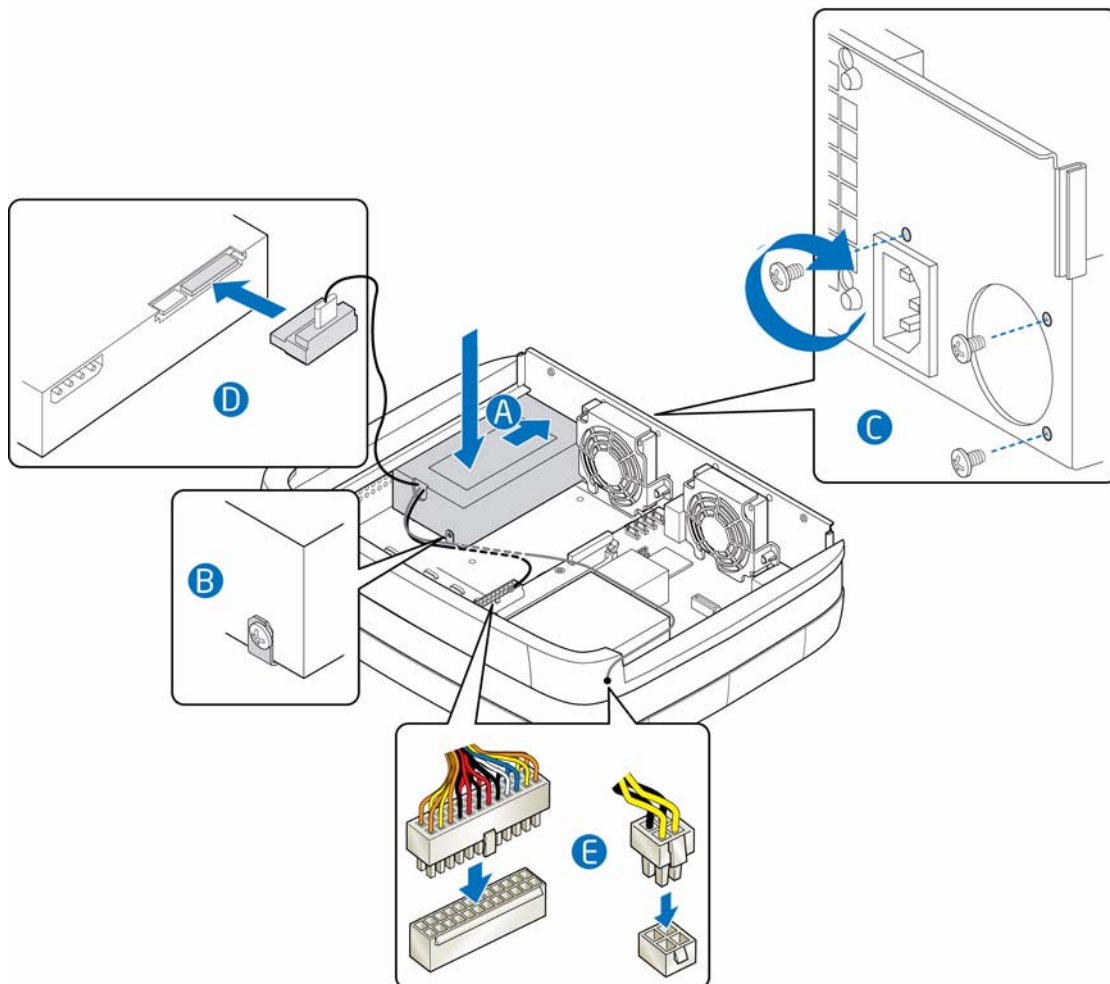


Figure 27. Removing Retention Tab from Old Power Supply

10. Install the retention tab on new power supply.

11. Position the new power supply in the system (see letter “A” in the following figure). Ensure that the retention tab slides into slot in chassis (see letter “B”). Secure new power supply to the system with the three screws previously removed (see letter “C”). Connect a power cable to each of the installed hard drives (see letter “D”). Connect power cables to the main power and CPU power connectors on the system board (see letter “E”).

Note: Holes are located in the lower portion of the drive tray assembly for securing cable ties.



AF002614

Note: Drive tray assembly removed for illustrative purposes.

Figure 28. Installing New Power Supply

12. Replace the airflow baffle. Ensure that the airflow baffle is securely inserted into the two chassis tabs at each end of the baffle. This may require compressing the airflow baffle slightly to slide it into the chassis tabs.

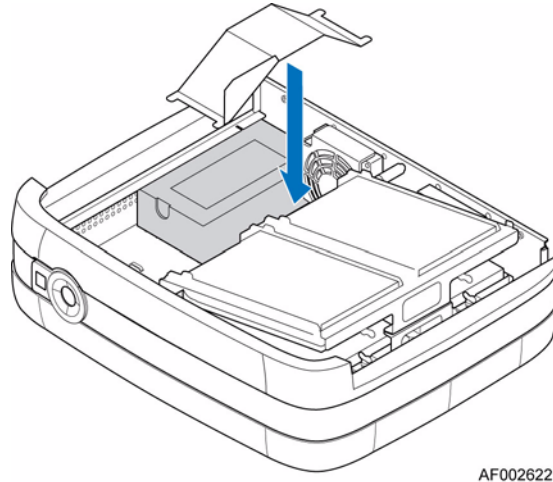


Figure 29. Replacing Airflow Baffle

13. Return the left side of the drive tray assembly to its operational position (see letter “A” in the following figure).

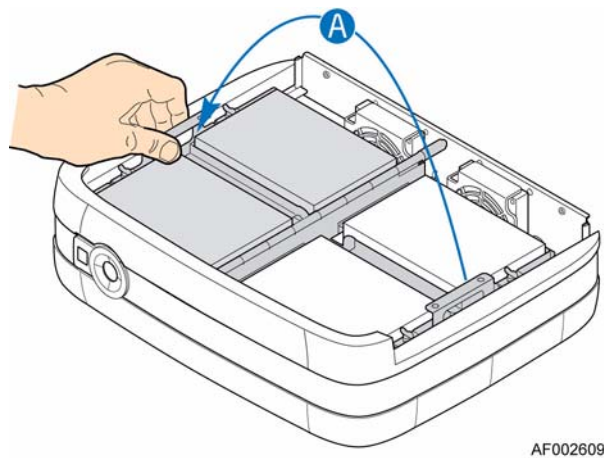


Figure 30. Lowering Left Side of Drive Tray Assembly

14. Re-install the enclosure cover. For instructions, see [“Installing the Enclosure Cover”](#) on page 21.
15. Reconnect all peripheral devices and the AC power cord. Power up the storage system.

Connecting the Power Cord

Caution: Power connection must always be disconnected prior to removal of a power supply from the system.

1. Observe all safety and ESD precautions listed in “Safety Information” on page 85.
2. Attach a power cord to the rear connector on the power supply.

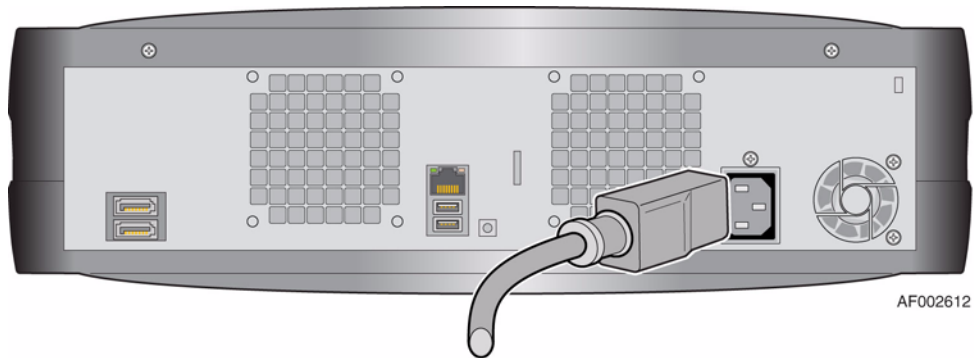


Figure 31. Connecting Power Cord

Grounding Checks

This product must only be connected to a power source with a safety electrical earth connection.

Prior to switching on, ensure that the earth connection has been checked by an electrical engineer qualified in local and national electrical standards.

Replacing a Cooling Fan

Warning: Removal of a cooling fan must only be performed by a qualified service person. Potential hazards include:

- Energy hazard
- Hot surfaces
- Access to power supply openings

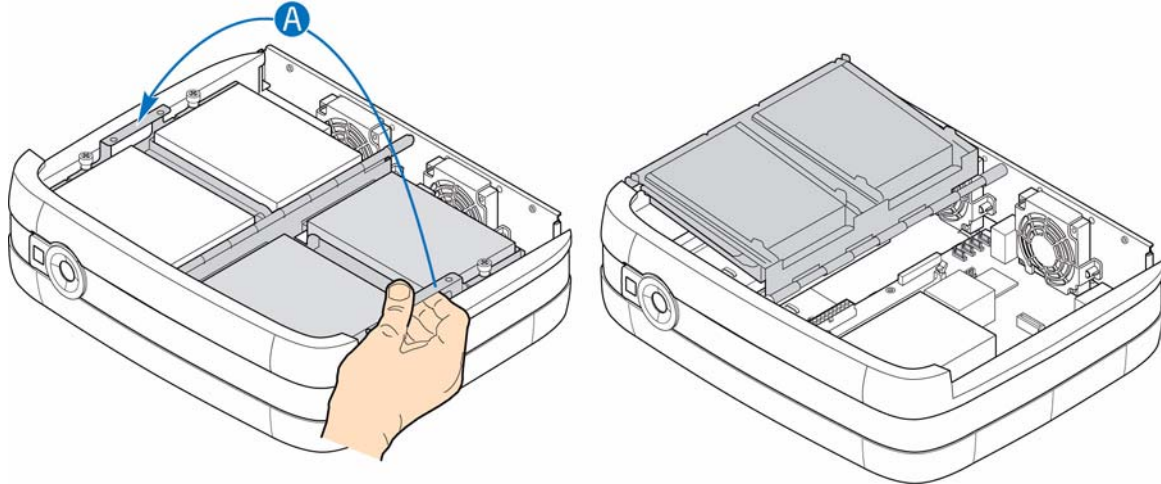
Caution: Before performing any maintenance on the system, back up the data. Follow the instructions in the operating system manual or third-party software documentation for shutting down the system.

Warning: Upon completion of cooling fan replacement, the enclosure cover **MUST** be properly re-installed to ensure adequate cooling of the system.

1. Check the new fan for damage. Do not install it if there are any visible signs of damage. Return to vendor for replacement.
2. Observe all safety and ESD precautions listed in [“Safety Information” on page 85](#).
3. Turn off all peripheral devices connected to the storage system. Power down the storage system.
4. Disconnect the AC power cord.
5. Remove the enclosure cover. For instructions, see [“Removing the Enclosure Cover” on page 20](#).

To replace the right cooling fan:

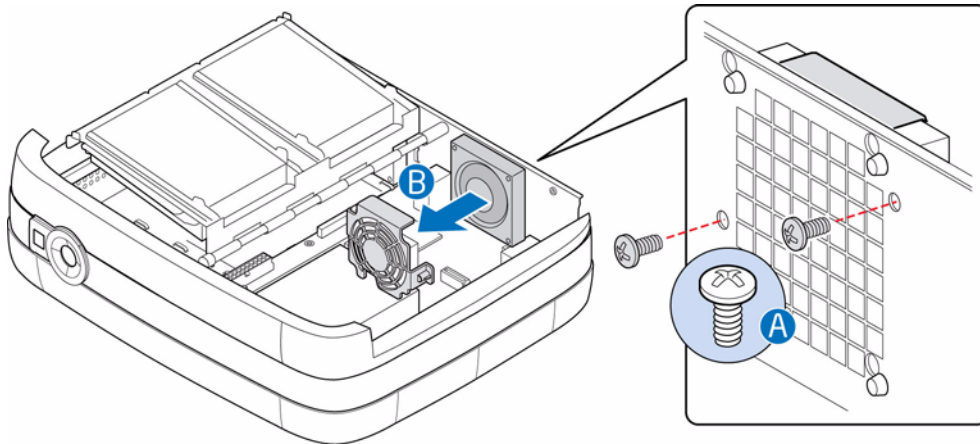
6. Lift up the right side of the drive tray assembly (see letter “A” in the following figure).



AF002576

Figure 32. Lifting Right Side of Drive Tray Assembly

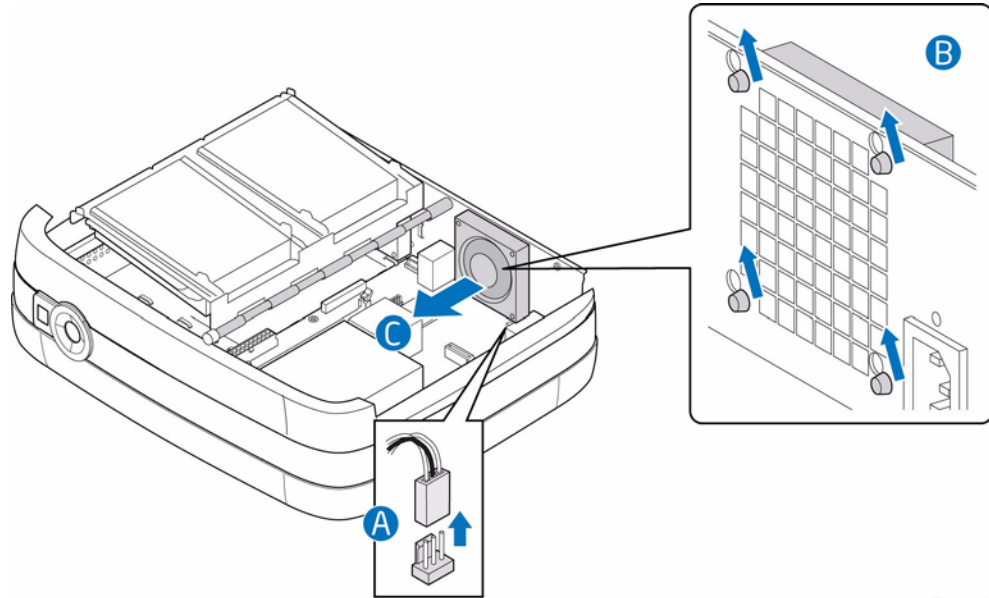
7. Remove the two screws securing the fan guard to the rear of the chassis (see letter “A” in the following figure). Remove the fan guard (see letter “B”).



AF002627

Figure 33. Removing Right Fan Guard

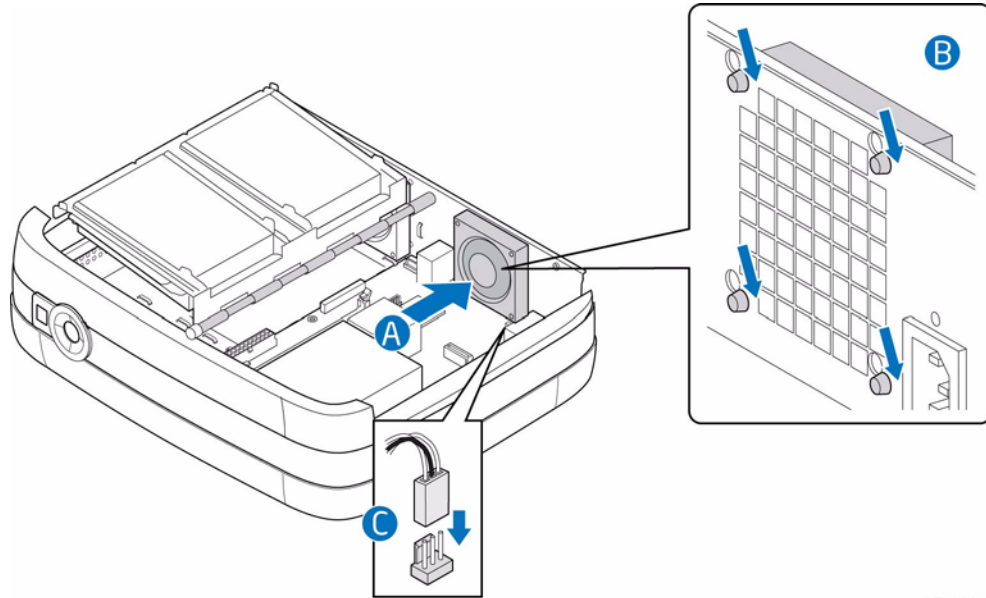
8. Disconnect the power cable from the system board (see letter “A” in the following figure). Disengage the cooling fan from the rear of chassis by sliding cooling fan upward and out of keyhole slots in the chassis (see letter “B”). Remove the cooling fan from the system (see letter “C”).



AF002617

Figure 34. Removing Right Cooling Fan from System

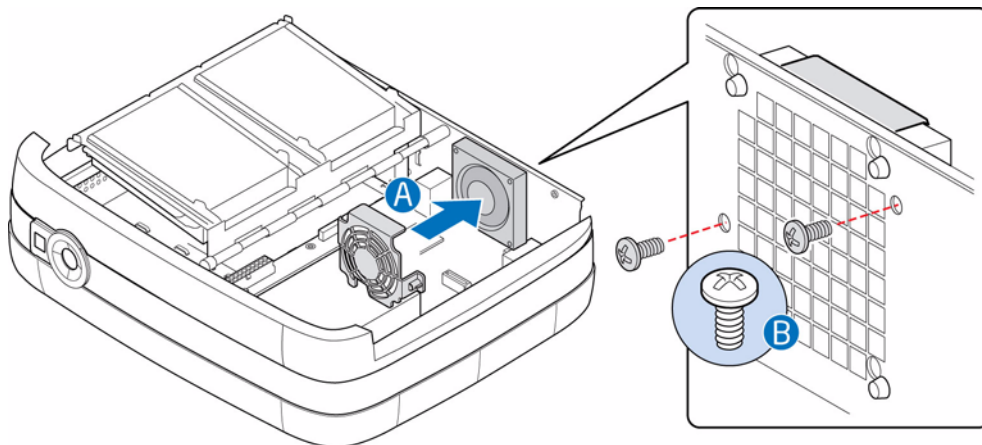
9. Position the new cooling fan in the system (see letter “A” in the following figure). Slide rubber mounting grommets on back of the cooling fan into corresponding keyhole slots in the chassis (see letter “B”). Connect the fan cable to the system board (see letter “C”).



AF002616

Figure 35. Installing New Right Cooling Fan

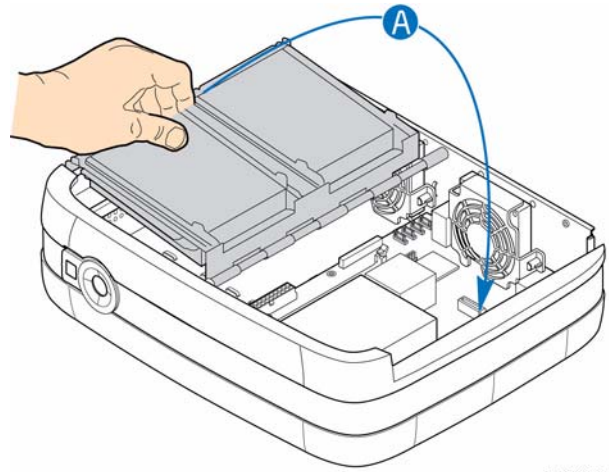
10. Re-install the fan guard (see letter “A” in the following figure). Secure the fan guard to the rear of the chassis with the two screws previously removed (see letter “B”).



AF002628

Figure 36. Re-installing Right Fan Guard

11. Return the right side of the drive tray assembly to its operational position (see letter “A” in the following figure).



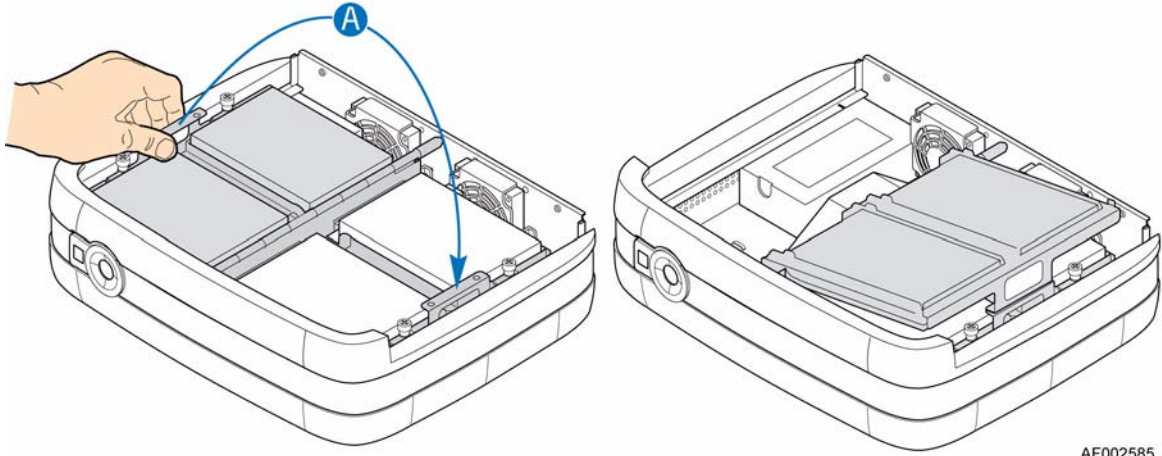
AF002577

Figure 37. Lowering Right Side of Drive Tray Assembly

12. Re-install the enclosure cover. For instructions, see [“Installing the Enclosure Cover” on page 21](#).
13. Reconnect all peripheral devices and the AC power cord. Power up the storage system.

To replace left cooling fan:

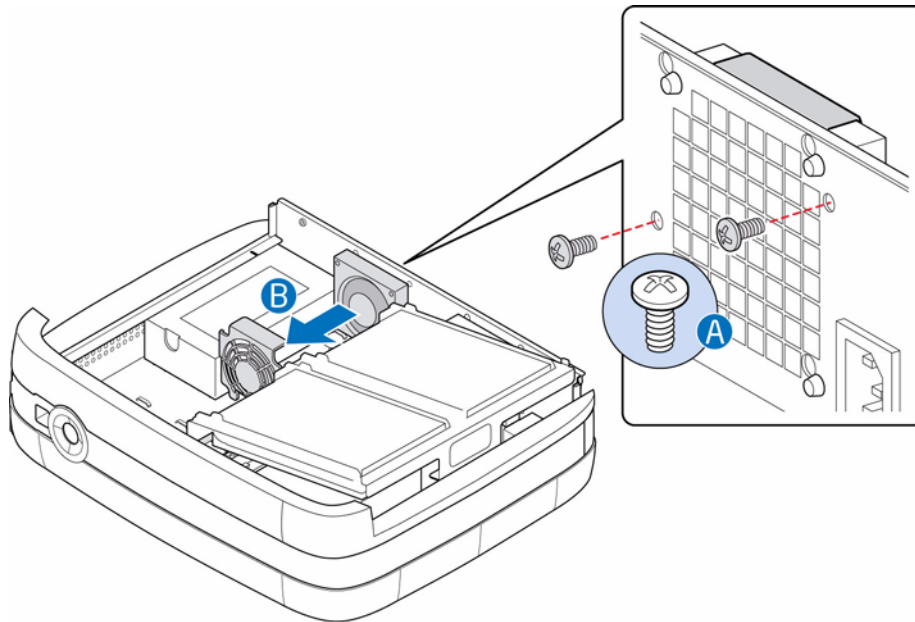
14. Lift up the left side of the drive tray assembly (see letter “A” in the following figure).



AF002585

Figure 38. Lifting Left Side of Drive Tray Assembly

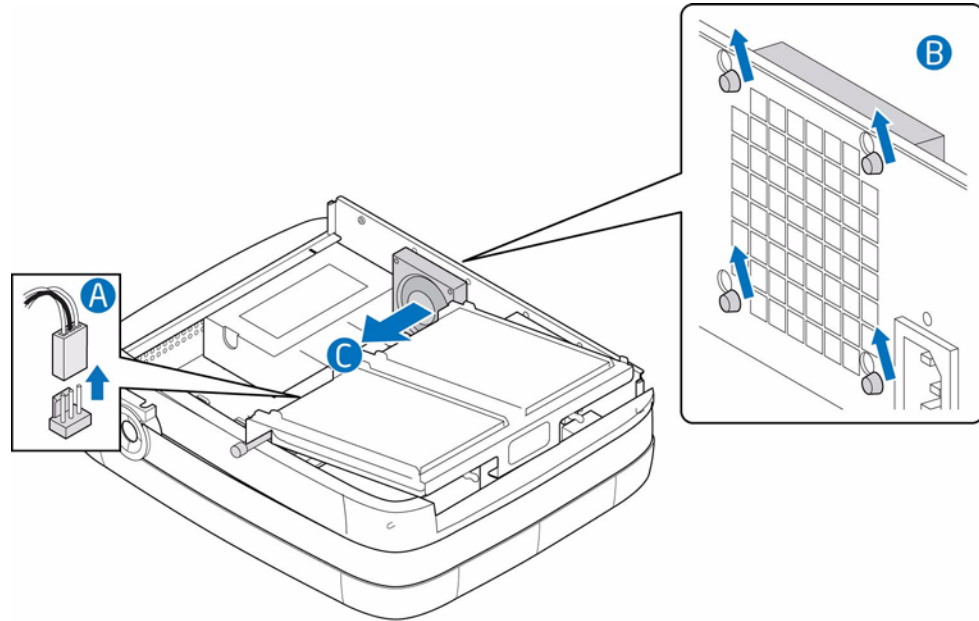
15. Remove the two screws securing the fan guard to the rear of the chassis (see letter “A” in the following figure). Remove the fan guard (see letter “B”).



AF002586

Figure 39. Removing Left Fan Guard

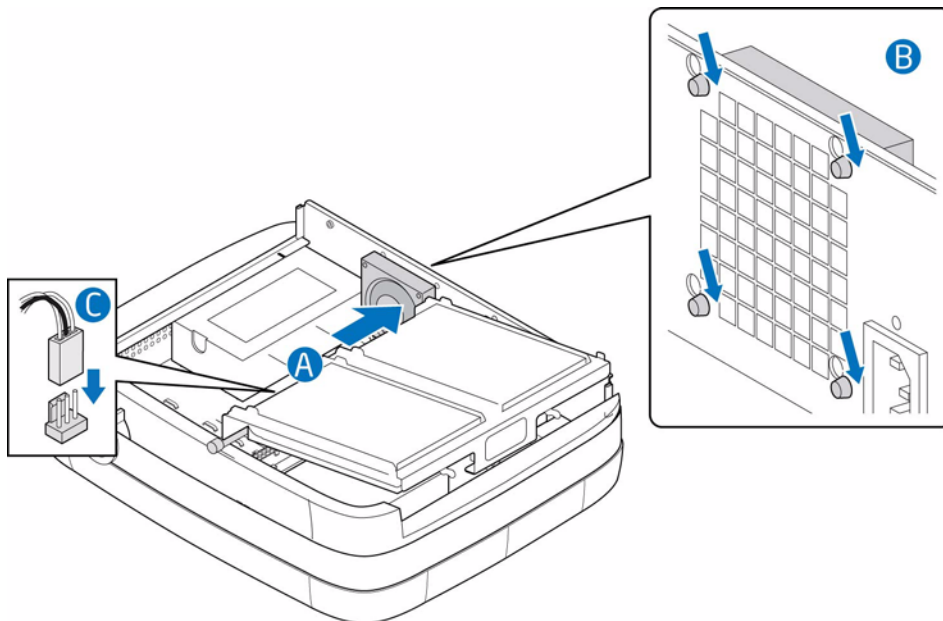
16. Disconnect the power cable from the system board (see letter “A” in the following figure). Disengage the cooling fan from rear of chassis by sliding the cooling fan upward and out of keyhole slots in chassis (see letter “B”). Remove the cooling fan from the system (see letter “C”).



AF002587

Figure 40. Removing Left Cooling Fan

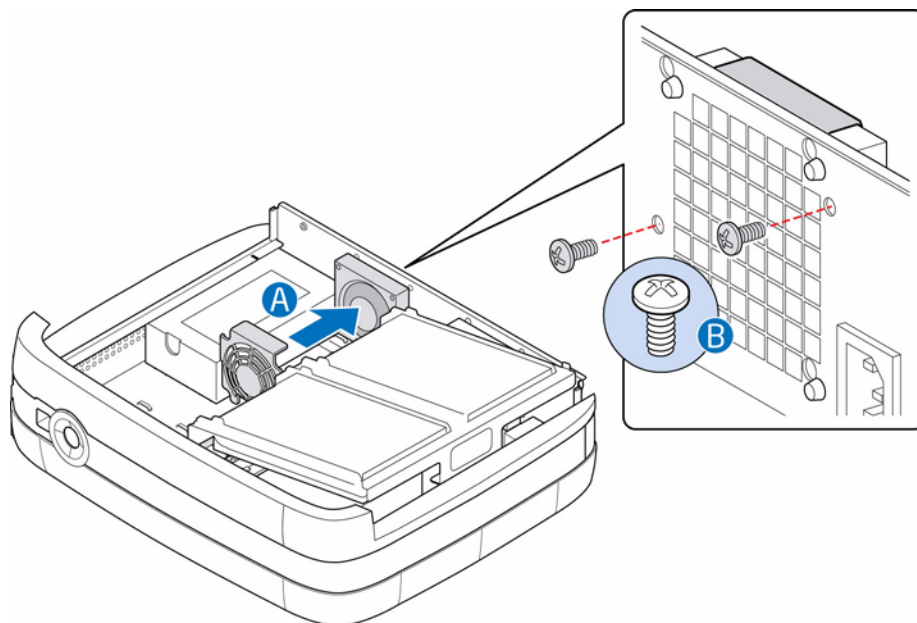
17. Position the new cooling fan in the system (see letter “A” in the following figure). Slide rubber mounting grommets on back of cooling fan into corresponding keyhole slots in chassis (see letter “B”). Connect the fan cable to the system board (see letter “C”).



AF002615

Figure 41. Installing New Left Cooling Fan

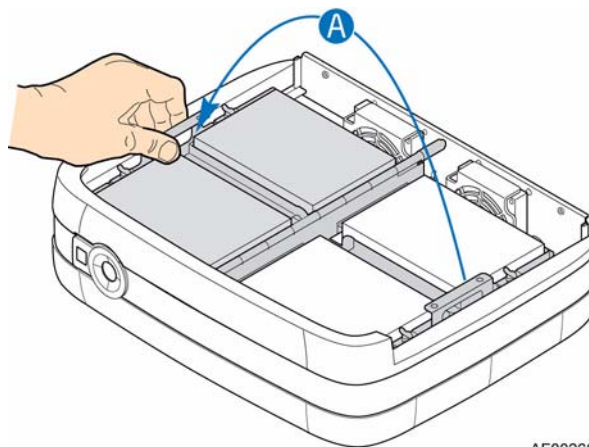
18. Re-install the fan guard (see letter “A” in the following figure). Secure the fan guard to the rear of the chassis with the two screws previously removed (see letter “B”).



AF002629

Figure 42. Re-installing Left Fan Guard

19. Return the left side of the drive tray assembly to its operational position (see letter “A” in the following figure).



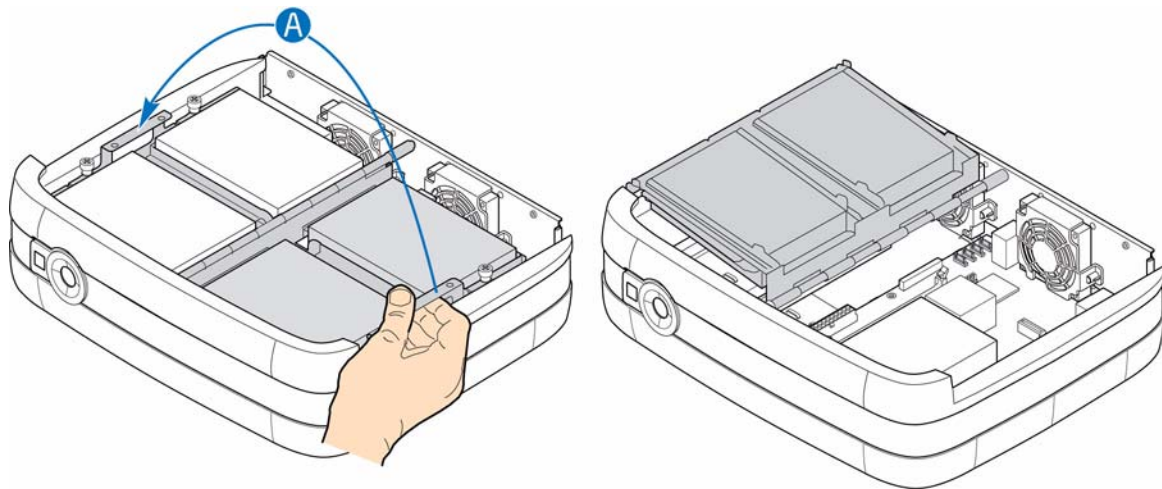
AF002609

Figure 43. Lowering Left Side of Drive Tray Assembly

20. Re-install the enclosure cover. For instructions, see [“Installing the Enclosure Cover”](#) on page 21.
21. Reconnect all peripheral devices and the AC power cord. Power up the storage system.

Replacing Memory

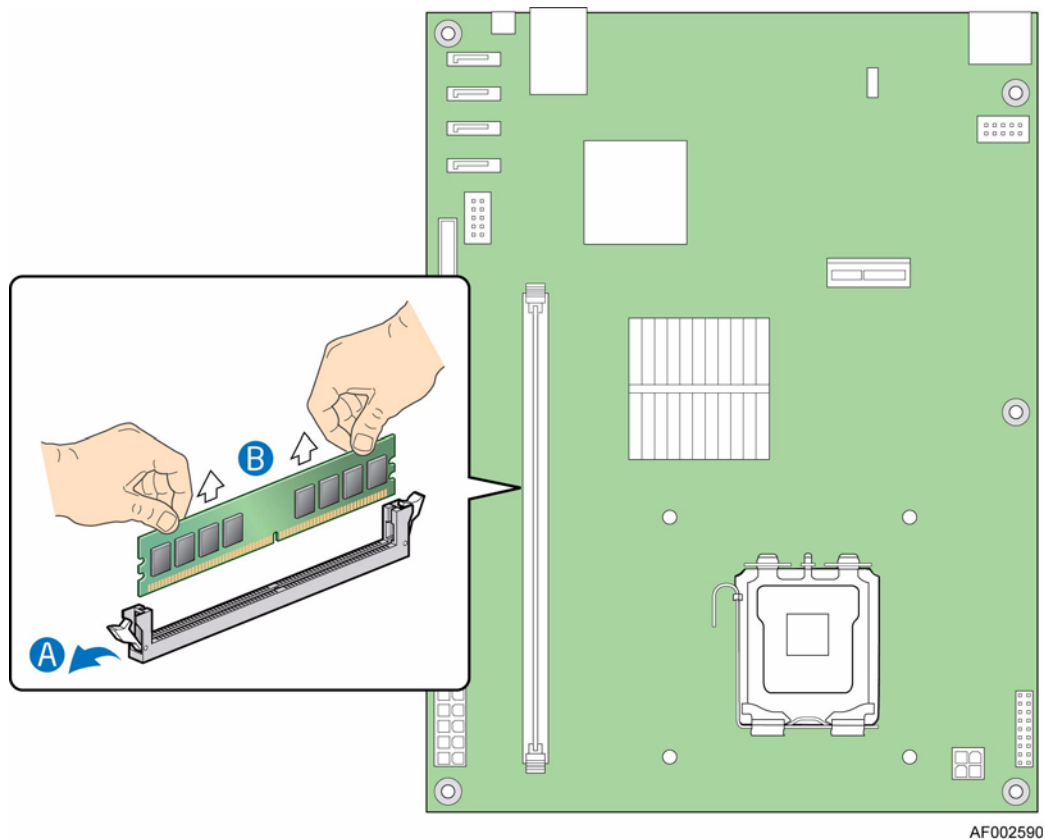
1. Observe all safety and ESD precautions listed in [“Safety Information” on page 85](#).
2. Turn off all peripheral devices connected to the storage system. Power down the storage system.
3. Disconnect the AC power cord.
4. Remove the enclosure cover. For instructions, see [“Removing the Enclosure Cover” on page 20](#).
5. Lift the right side of the drive tray assembly (see letter “A” in the following figure).



AF002576

Figure 44. Lifting Right Side of Drive Tray Assembly

6. Locate the DIMM socket (see the following figure). Push the clips at each end of the DIMM socket outward to the open position (see letter “A”). Holding the DIMM by its edges, lift it from the socket (see letter “B”). Store the DIMM in an anti-static package.



AF002590

Figure 45. Locating DIMM Socket and Removing Memory

- Install the new DIMM. Ensure the clips at each end of the DIMM socket are pushed outward to the open position (see letter “A” in the following figure). Holding the DIMM by its edges, remove it from its anti-static package. Position the DIMM above the socket. Align the notch on the bottom edge of the DIMM with the key in the DIMM socket. The arrow for letter “B” is pointing to the key in the socket. Insert the bottom edge of the DIMM into the socket. When the DIMM is inserted, push down on the top edge of the DIMM until the retaining clips snap into place (see letter “C”). Make sure the clips latch firmly in place (see letter “D”).

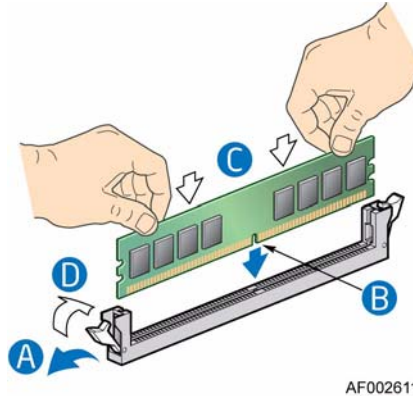


Figure 46. Installing New DIMM

- Return the right side of the drive tray assembly to its operational position (see letter “A” in the following figure).

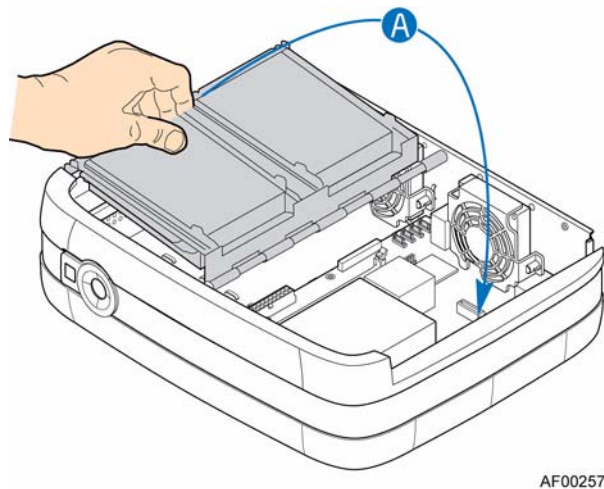


Figure 47. Lowering Right Side of Drive Tray Assembly

- Re-install the enclosure cover. For instructions, see [“Installing the Enclosure Cover”](#) on page 21.
- Reconnect all peripheral devices and the AC power cord. Power up the storage system.

Replacing the CMOS Battery

The lithium CMOS battery on the system board powers the RTC in the absence of power. When the battery starts to weaken, it loses voltage, and the system settings stored in CMOS RAM (for example, the date and time) may be wrong. Contact your customer service representative or dealer for a list of approved replacement batteries.

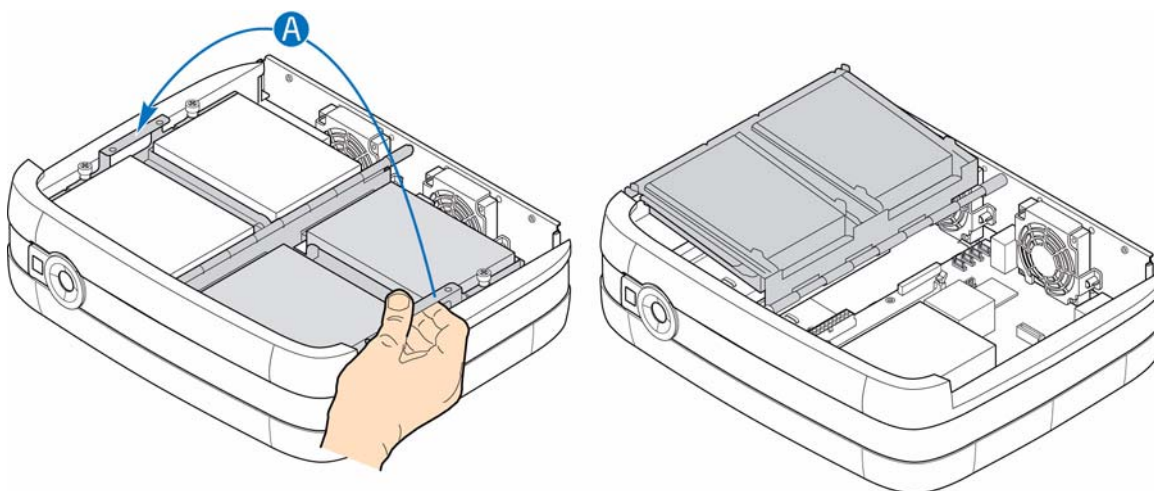
Warning: *Danger of explosion if battery is incorrectly replaced. Replace only with the same or equivalent type recommended by the equipment manufacturer. Discard used batteries according to manufacturer's instructions.*

Advarsel: *Lithiumbatteri - Eksplosionsfare ved fejlagtig håndtering. Udskiftning må kun ske med batteri af samme fabrikat og type. Levér det brugte batteri tilbage til leverandøren.*

Varning: *Explosionsfara vid felaktigt batteribyte. Använd samma batterityp eller en ekvivalent typ som rekommenderas av apparattillverkaren. Kassera använt batteri enligt fabrikantens instruktion.*

Varoitus: *Paristo voi räjähtää, jos se on virheellisesti asennettu. Vaihda paristo ainoastaan laitevalmistajan suositteluun tyyppiin. Hävitä käytetty paristo valmistajan ohjeiden mukaisesti.*

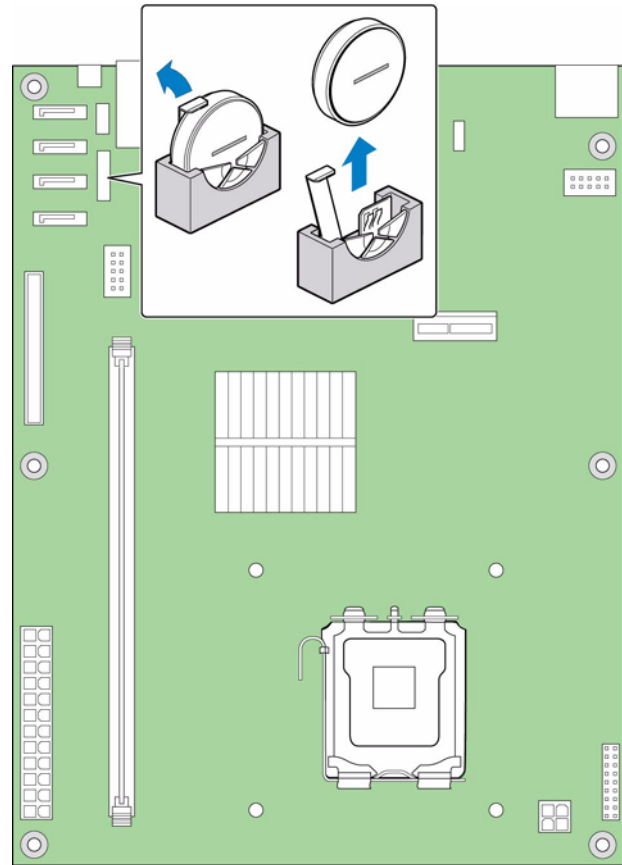
1. Observe all safety and ESD precautions listed in [“Safety Information” on page 85](#).
2. Turn off all peripheral devices connected to the storage system. Power down the storage system.
3. Disconnect the AC power cord.
4. Remove the enclosure cover. For instructions, see [“Removing the Enclosure Cover” on page 20](#).
5. Lift the right side of the drive tray assembly (see letter “A” in the following figure).



AF002576

Figure 48. Lifting Right Side of Drive Tray Assembly

6. Locate the CMOS battery. Use a finger to pull the lever away from the top of the battery until it clears the battery. Use caution so you do not bend the lever. Lift the battery from the socket.

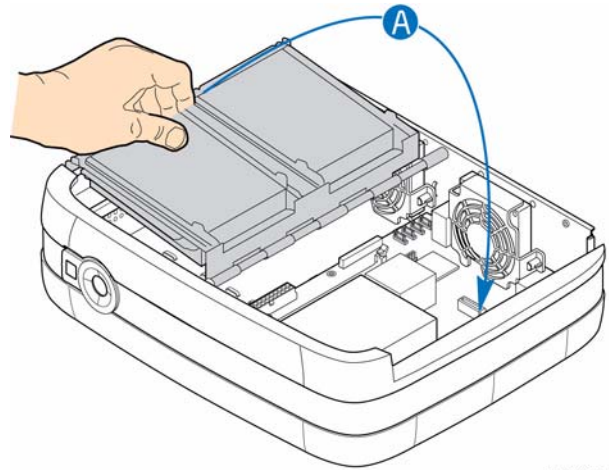


AF002565

Figure 49. Locating and Removing the CMOS Battery

7. Dispose of the battery according to local ordinance.
8. Remove the new battery from its package.
9. Being careful to observe the correct polarity, insert the replacement battery into the battery socket. The “+” side of the battery must face the lever side of the battery socket, toward the add-in card slots.

10. Return the right side of the drive tray assembly to its operational position (see letter “A” in the following figure).



AF002577

Figure 50. Lowering Right Side of Drive Tray Assembly

11. Re-install the enclosure cover. For instructions, see [“Installing the Enclosure Cover” on page 21](#).
12. Reconnect all peripheral devices and the AC power cord. Power up the storage system.
13. Run the BIOS Setup utility to restore the configuration settings to the real-time clock.

Boot Drive

The Intel® Entry Storage System SS4200-E has two options for loading operating systems or storage software.

If the system is running an Intel storage management stack, it will contain an IDE DOM (disk on module) on the system board. This DOM contains the operating system and any management software. IDE DOMs require power to be provided by the storage system using the P4 power cable that is provided as part of the power supply harness. The P4 power cable needs to be attached to the power adapter cable that came with your IDE DOM.

If your system does not contain an IDE DOM, refer to the documentation provided by your third-party vendor(s) for instructions on installing storage software.

Replacing an IDE DOM (if present)

Caution: Before performing any maintenance on the system, back up the data.

Note: Refer to your vendor's documentation for procedures on replacing storage system software.

1. Observe all safety and ESD precautions listed in [“Safety Information” on page 85](#).
2. Turn off all peripheral devices connected to the storage system. Power down the storage system.
3. Disconnect the AC power cord.
4. Remove the enclosure cover. For instructions, see [“Removing the Enclosure Cover” on page 20](#).
5. Lift the left side of the drive tray assembly (see letter “A” in the following figure).

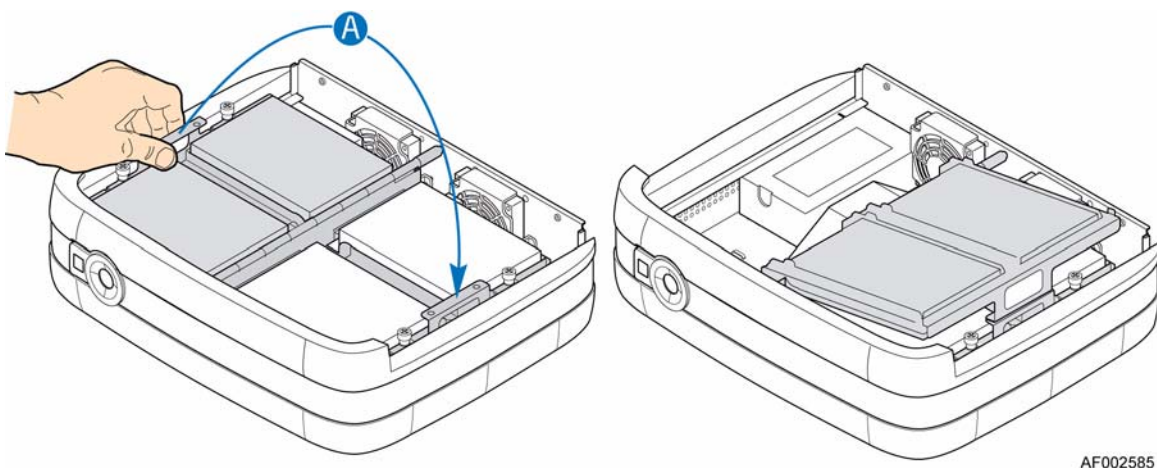


Figure 51. Lifting Left Side of Drive Tray Assembly

6. Locate the IDE connector on the server board (see the following figure). Press on both sides and pull up to remove the failed IDE DOM (see letter “A” in the following figure). Ensure the latches are closed enough for easy removal of the IDE DOM otherwise the housing on the IDE connector may be damaged. Disconnect the power cable from the IDE DOM (see letter “B”).

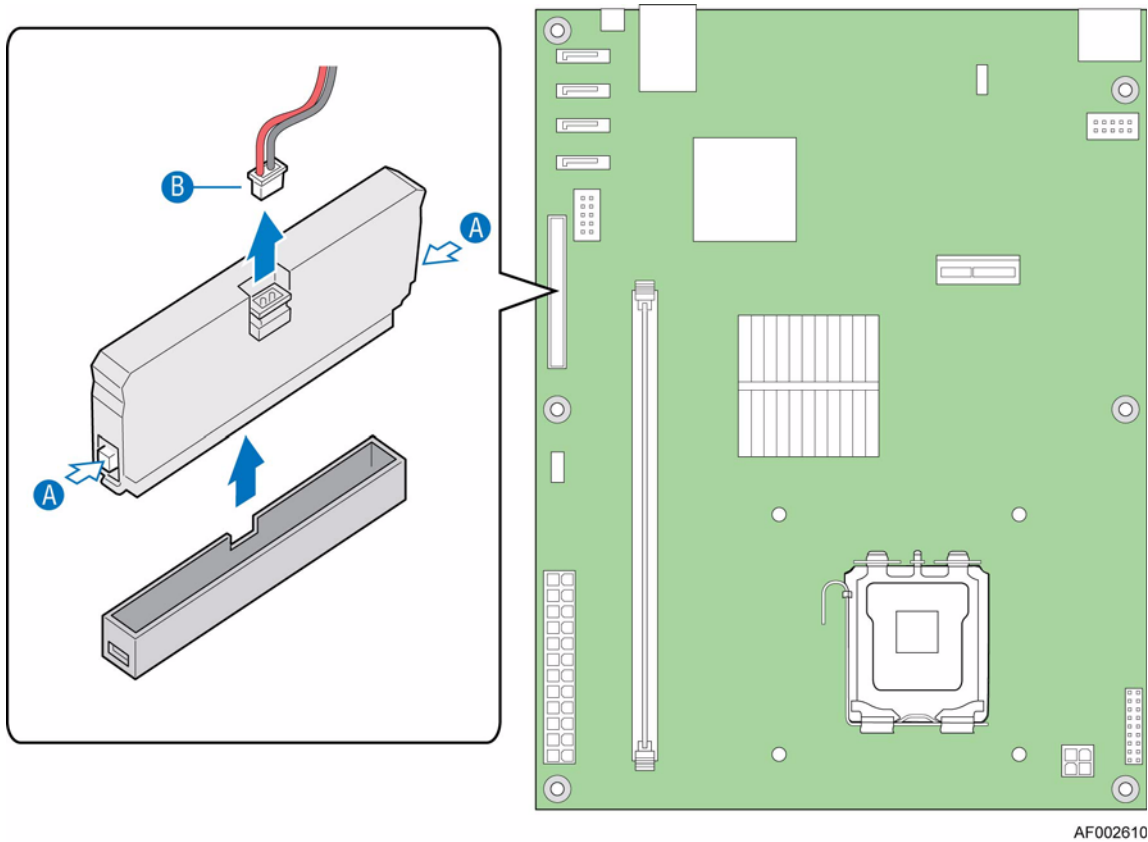


Figure 52. Locating IDE Connector and Removing DOM

7. Ensure the raised notch on the new IDE DOM is aligned with the notch opening on the primary IDE connector on the server board (see letter “A” in the following figure). Install the new IDE DOM (see letter “B”). Connect the power cable to the IDE DOM (see letter “C”).

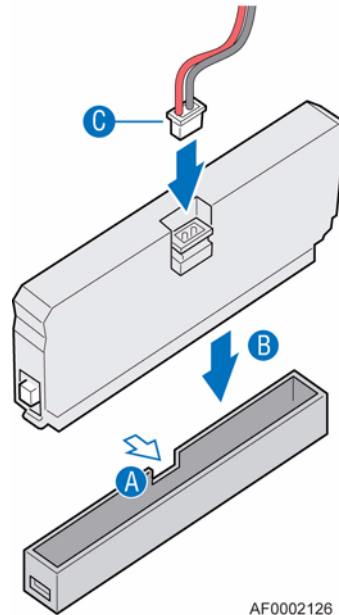


Figure 53. Installing IDE DOM

8. Return the left side of the drive tray assembly to its operational position (see letter “A” in the following figure).

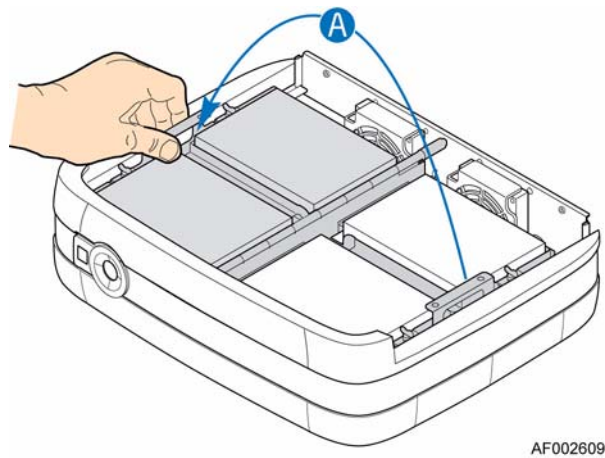


Figure 54. Lowering Left Side of Drive Tray Assembly

9. Re-install the enclosure cover. For instructions, see [“Installing the Enclosure Cover”](#) on page 21.
10. Reconnect all peripheral devices and the AC power cord. Power up the storage system.

5 Troubleshooting and Problem Solving

Overview

The Intel® Entry Storage System SS4200-E includes monitoring and control logic to enable it to diagnose problems within the enclosure's power and cooling systems.

The sensors for power and cooling conditions are housed within the power supply and in the chassis for the cooling fans. There is independent monitoring for each unit.

Initial Start-up Problems

Faulty Cords

First check that you have wired up the system correctly. Call your supplier for replacement if:

- Cords are missing or damaged
- Plugs are incorrect
- Cords are too short

Computer Doesn't Recognize the Subsystem

1. Check that the interface cables from the Intel® Entry Storage System SS4200-E to the host computer or network equipment are fitted correctly.
2. Check that the LEDs on all installed drives are illuminated blue.

Note: Drive LEDs will not be lit during drive spin up.

3. Check that disk drives have been correctly installed.

LEDs

A blue LED is always used for good or positive indication. A constant blue/flashing amber LED is used for non-critical conditions.

Front Panel

Note: The Front Panel is supplied as an integral part of the chassis core product and is not user replaceable.

See “Front Panel LEDs and Switches” on page 12 for a description and location of each Front Panel LED.

Troubleshooting

The following sections describe common problems, with possible solutions, which can occur with your Intel® Entry Storage System SS4200-E.

For details on how to remove and replace a component, see “Hardware Installations and Upgrades” on page 15.

Power Supply Faults

Symptom	Cause	Action
Power/Status push-button LED is amber	<ol style="list-style-type: none"> Any power fault. A thermal condition which could cause power supply overheating. 	<ol style="list-style-type: none"> Check that the AC mains connection to power supply is live. Disconnect the power supply from mains power and remove the power supply from the power supply cage. Re-install. If problem persists, replace power supply. Reduce the ambient temperature.

Thermal Control

The Intel® Entry Storage System SS4200-E uses limited thermal monitoring to ensure component temperatures are kept low and acoustic noise is minimized. Airflow is from front to rear of the enclosure.

Symptom	Cause	Action
<p>If the ambient air is cool (below 25 °C) and the fans are observed to increase in speed then some restriction on airflow may be causing an additional internal temperature rise.</p> <p>NOTE: This is not a fault condition.</p>	<p>The first stage in the thermal control process is for the fans to automatically increase in speed when a thermal threshold is reached. This may be caused by higher ambient temperatures in the local environment and may be perfectly normal.</p>	<ol style="list-style-type: none"> Check the installation for any airflow restrictions at either the front or rear of the enclosure. Check for restrictions due to dust build-up; clean as appropriate. Check for excessive re-circulation of heated air from rear to front. Reduce the ambient temperature.

Disk Drive Status Faults

Each disk drive has a corresponding status LED on the Front Panel:

- Under normal operation, the status LED is constant blue and will flash blue as the drive operates.
- If the status LED is constant amber, a disk drive fault exists.
- If the status LED is flashing amber, the disk drive is rebuilding.

A global disk activity LED is also present on the Front Panel. This LED will illuminate blue when there is activity present on any installed disk drive.

Dealing with Hardware Faults

Ensure that you have obtained a replacement component of the same type *before* removing any faulty component.

- Replace a faulty drive with a drive of the same type of equal or greater capacity.
- Refer to your vendor-supplied documentation when using storage software for handling drive-related hardware faults.
- All the supplied internal components and disk drives must be in place for the air to flow correctly around the cabinet.

Caution: *Observe all conventional ESD precautions when handling system components.*

Important: *The top cover of the enclosure covers a service area which should be accessed only by qualified service personnel. When the cover is replaced it **MUST** be secured by tightening the two captive screws at the rear of the chassis. A Phillips* screwdriver may be used to tighten the captive screws.*

6 Technical Specifications

Dimensions

Rack Enclosure	Inches	Millimeters
Height	4.8	122
Width across body of enclosure	16	406
Depth from flange to rear of enclosure body	13.23	336

Weight

Maximum Configuration	9 kg (20 lb)
Enclosure without drives installed	6.69 kg (14.75 lb)

AC Power Module (1 250-W Power Supply)

Voltage Range	100 - 240 VAC rated
Voltage Range Selection	Full Range power supply unit
Frequency	50/60 Hz
Inrush Current	12 A
Power Factor Corrections	99% @ 110V full load
Harmonics	Meets EN61000-3-2
Output	+5 V aux: 4 A; +12 V: 70 A max
Output Rails	5
Dimensions	40.5 mm high x 81.5 mm wide x 150 mm long (1.6 in x 3.2 in x 5.9 in)

Power Cord

Important: The plug and the complete power cord assembly must meet the standards appropriate to the country, and must have safety approvals acceptable in that country.

United States

Must be NRTL Listed (National Recognized Test Laboratory, e.g., UL)

Cord type	SV or SVT, 18 AWG minimum, 3 conductor, 4.5 M max length.
Plug	NEMA 5-15P grounding-type attachment plug rated 120V 10A <i>or</i> IEC 320 C14, 250V, 10A.
Socket	IEC 320, C-13, 250V, 10A.

Europe and Others

General requirements:

Cord type	Harmonized, H05-VVF-3G1.0
Socket	IEC 320, C-13, 250V, 10A.

Cooling Fan

Fans	Quantity: (2) 70mm x 70mm x 15mm axial
	PWM Speed Control
	Individual tach outputs for each fan

Environment

	Temperature Range	Relative Humidity	Max. Wet Bulb
Operational	10°C to 35°C	20% to 80% non-condensing	23°C
Non-Operational	1°C to +50°C	8% to 80% non-condensing	27°C

	Temperature Range	Relative Humidity	Max. Wet Bulb
Storage	1°C to +60°C	5% to 80% non-condensing	29°C
Shipping	-40°C to +70°C	5% to 100% non-precipitating	29°C

Altitude, Operational	0 to 2133 m (0 to 7,000 ft)
Altitude, Non-operational	-305 to 12,192 m (-1000 to 40,000 ft)
Shock, Operational	Vertical axis 2g peak 1/2 sine, 10ms
Shock, Packaged	20g 10ms 1/2 sine (<i>test with drives</i>) 30g 10ms 1/2 sine (<i>test without drives</i>)
Shock, Unpackaged	Tested to 30-inch drop based on weight of 25G
Vibration, Packaged	2.2grms Random 5-500 Hz
Vibration, Unpackaged	1.09grms Random 5-500 Hz

Technical Specifications

A Regulatory and Compliance Information

Product Regulatory Compliance

Warning: *To ensure regulatory compliance, you must adhere to the assembly instructions in this guide to ensure and maintain compliance with existing product certifications and approvals. Use only the described, regulated components specified in this guide. Use of other products/components will void the UL listing and other regulatory approvals of the product and will most likely result in noncompliance with product regulations in the region(s) in which the product is sold.*

To help ensure EMC compliance with your local regional rules and regulations, before performing integration, make sure the peripheral devices selected have passed EMC testing. The final configuration of your end system product may require additional EMC compliance testing. For more information, please contact your local Intel representative.

This is an FCC Class B device.

Intended Application

This product was evaluated as Information Technology Equipment (ITE), which may be installed in homes, offices, schools, computer rooms, and similar commercial type locations. The suitability of this product for other product categories and environments (such as: medical, industrial, telecommunications, NEBS, residential, alarm systems, test equipment, etc.), other than an ITE application, may require further evaluation.

Product Safety Compliance

This product complies with the following product safety requirements:

- UL60950 - CSA 60950 (USA / Canada)
- EN60950 (Europe)
- IEC60950 (International)
- CB Certificate & Report, IEC60950 (report to include all country national deviations)
- GS License (Germany)
- GOST R 50377-92 - License (Russia)
- Belarus License (Belarus)
- Ukraine License (Ukraine)
- CE - Low Voltage Directive 73/23/EEE (Europe)
- IRAM Certification (Argentina)

- GB4943 - CNCA Certification (China)

Product EMC Compliance - Class B Compliance

This is an FCC Class B device.

- FCC /ICES-003 - Emissions (USA/Canada)
- CISPR 22 - Emissions (International)
- EN55022 - Emissions (Europe)
- EN55024 - Immunity (Europe)
- EN61000-3-2 - Harmonics (Europe)
- EN61000-3-3 - Voltage Flicker (Europe)
- CE - EMC Directive 89/336/EEC (Europe)
- VCCI Emissions (Japan)
- AS/NZS 3548 Emissions (Australia / New Zealand)
- BSMI CNS13438 Emissions (Taiwan)
- GOST R 29216-91 Emissions (Russia)
- GOST R 50628-95 Immunity (Russia)
- Belarus License (Belarus)
- Ukraine License (Ukraine)
- RRL MIC Notice No. 1997-41 (EMC) & 1997-42 (EMI) (Korea)
- GB 9254 - CNCA Certification (China)
- GB 17625 - CNCA (Harmonics) (China)

Certifications / Registrations / Declarations

- UL Certification (US/Canada)
- CE Declaration of Conformity (CENELEC Europe)
- FCC/ICES-003 Class A Attestation (USA/Canada)
- VCCI Certification (Japan)
- C-Tick Declaration of Conformity (Australia)
- MED Declaration of Conformity (New Zealand)
- BSMI Certification (Taiwan)
- GOST R Certification / License (Russia)
- Belarus Certification / License (Belarus)
- RRL Certification (Korea)
- IRAM Certification (Argentina)

- Ecology Declaration (International)

Product Regulatory Compliance Markings

This product bears the following regulatory marks.

Table 6. Product Regulatory Compliance Markings






Regulatory Compliance	Country	Marking
cULus Listing Marks	USA/Canada	
GS Mark	Germany	
CE Mark	Europe	
FCC Marking (Class B)	USA	
EMC Marking (Class B)	Canada	CANADA ICES-003 CLASS B CANADA NMB-003 CLASSE B
C-Tick Mark	Australia/New Zealand	
VCCI Marking (Class B)	Japan	
BSMI Certification	Taiwan	
GOST R Marking	Russia	
RRL MIC Mark	Korea	

Table 6. Product Regulatory Compliance Markings

Regulatory Compliance	Country	Marking
CNCA	China	 <p data-bbox="889 583 1268 674"> 声明 此为A级产品,在生活中,该产品可能 会造成无线电干扰.在这种情况下,可 能需要用户对其干扰采取可行的措施. </p>

Electromagnetic Compatibility Notices

FCC Statement (USA)

This device complies with Part 15 of the FCC Rules. Operation is subject to the following two conditions: (1) this device may not cause harmful interference, and (2) this device must accept any interference received, including interference that may cause undesired operation.

Intel Corporation
 5200 N.E. Elam Young Parkway
 Hillsboro, OR 97124-6497
 1-800-628-8686

This equipment has been tested and found to comply with the limits for a Class B digital device, pursuant to Part 15 of the FCC Rules. These limits are designed to provide reasonable protection against harmful interference in a residential installation. This equipment generates, uses, and can radiate radio frequency energy and, if not installed and used in accordance with the instructions, may cause harmful interference to radio communications. However, there is no guarantee that interference will not occur in a particular installation. If this equipment does cause harmful interference to radio or television reception, which can be determined by turning the equipment off and on, the user is encouraged to try to correct the interference by one or more of the following measures:

- Reorient or relocate the receiving antenna.
- Increase the separation between the equipment and the receiver.
- Connect the equipment to an outlet on a circuit other than the one to which the receiver is connected.
- Consult the dealer or an experienced radio/TV technician for help.

Any changes or modifications not expressly approved by the grantee of this device could void the user's authority to operate the equipment. The customer is responsible for ensuring compliance of the modified product.

Only peripherals (computer input/output devices, terminals, etc.) that comply with FCC Class B limits may be attached to this computer product. Operation with noncompliant peripherals is likely to result in interference to radio and TV reception.

All cables used to connect to peripherals must be shielded and grounded. Operation with cables, connected to peripherals, that are not shielded and grounded may result in interference to radio and TV reception.

ICES-003 (Canada)

Cet appareil numérique respecte les limites bruits radioélectriques applicables aux appareils numériques de Classe B prescrites dans la norme sur le matériel brouilleur: "Appareils Numériques", NMB-003 édictée par le Ministre Canadien des Communications.

English translation of the notice above:

This digital apparatus does not exceed the Class B limits for radio noise emissions from digital apparatus set out in the interference-causing equipment standard entitled: "Digital Apparatus," ICES-003 of the Canadian Department of Communications.

Europe (CE Declaration of Conformity)

This product has been tested in accordance to, and complies with the Low Voltage Directive (73/23/EEC) and EMC Directive (89/336/EEC). The product has been marked with the CE Mark to illustrate its compliance.

VCCI (Japan)

この装置は、情報処理装置等電波障害自主規制協議会（VCCI）の基準に基づくクラスB情報技術装置です。この装置は、家庭環境で使用することを目的としていますが、この装置がラジオやテレビジョン受信機に近接して使用されると、受信障害を引き起こすことがあります。
取扱説明書に従って正しい取り扱いをして下さい。

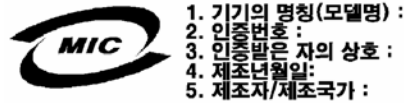
BSMI (Taiwan)

警告使用者：
這是甲類的資訊產品，在居住的環境中使用時，可能會造成射頻干擾，在這種情況下，使用者會被要求採取某些適當的對策

The BSMI Certification Marking and EMC warning is located on the outside rear area of the product.

RRL (Korea)

Following is the RRL certification information for Korea.



English translation of the notice above:

1. Type of Equipment (Model Name): On License and Product
2. Certification No.: On RRL certificate. Obtain certificate from local Intel representative
3. Name of Certification Recipient: Intel Corporation
4. Date of Manufacturer: Refer to date code on product
5. Manufacturer/Nation: Intel Corporation/Refer to country of origin marked on product

End of Life / Product Recycling

Product recycling and end-of-life take-back systems and requirements vary from country to country. Contact the retailer or distributor of this product for information on product recycling and / or take back.

Restriction of Hazardous Substances (RoHS) Compliance

Intel has a system in place to restrict the use of banned substances in accordance with the European Directive 2002/95/EC. Compliance is based on declaration that materials banned in the RoHS Directive are either (1) below all applicable substance threshold limits or (2) an approved/pending RoHS exemption applies.

Note: *RoHS implementing details are not fully defined and may change.*

Threshold limits and banned substances are noted below:

- Quantity limit of 0.1% by mass (1000 PPM) for:
 - Lead
 - Mercury
 - Hexavalent Chromium
 - Polybrominated Biphenyls Diphenyl Ethers (PBDE)
- Quantity limit of 0.01% by mass (100 PPM) for:
 - Cadmium

B Warranty

Limited Warranty for Intel® Chassis Subassembly Products

Intel warrants that the Products (defined herein as the Intel® chassis subassembly and all of its various components and software delivered with or as part of the Products) to be delivered hereunder, if properly used and installed, will be free from defects in material and workmanship and will substantially conform to Intel's publicly available specifications for a period of three (3) years after the date the Product was purchased from an Intel authorized distributor. Software of any kind delivered with or as part of products is expressly provided “as is” unless specifically provided for otherwise in any software license accompanying the software.

If any Product furnished by Intel which is the subject of this Limited Warranty fails during the warranty period for reasons covered by this Limited Warranty, Intel, at its option, will:

- REPAIR the Product by means of hardware and/or software; OR
- REPLACE the Product with another Product; OR
- REFUND the then-current value of the Product if Intel is unable to repair or replace the Product.

If such Product is defective, transportation charges for the return of Product to buyer within the USA will be paid by Intel. For all other locations, the warranty excludes all costs of shipping, customs clearance, and other related charges. Intel will have a reasonable time to make repairs or to replace Product or to refund the then-current value of the Product.

In no event will Intel be liable for any other costs associated with the replacement or repair of Product, including labor, installation or other costs incurred by buyer and in particular, any costs relating to the removal or replacement of any product soldered or otherwise permanently affixed to any printed circuit board.

This Limited Warranty, and any implied warranties that may exist under state law, apply only to the original purchaser of the Product.

Extent of Limited Warranty

Intel does not warrant that Products to be delivered hereunder, whether delivered stand-alone or integrated with other Products, including without limitation semiconductor components, will be free from design defects or errors known as “errata.” Current characterized errata are available upon request.

This Limited Warranty does not cover damages due to external causes, including accident, problems with electrical power, usage not in accordance with product instructions, misuse, neglect, alteration, repair, improper installation, or improper testing.

Warranty Limitations and Exclusions

These warranties replace all other warranties, expressed or implied including, but not limited to, the implied warranties of merchantability and fitness for a particular purpose. Intel makes no expressed warranties beyond those stated here. Intel disclaims all other warranties, expressed or implied including, without limitation, implied warranties of merchantability and fitness for a particular purpose. Some jurisdictions do not allow the exclusion of implied warranties, so this limitation may not apply.

All expressed and implied warranties are limited in duration to the limited warranty period. No warranties apply after that period. Some jurisdictions do not allow limitations on how long an implied warranty lasts, so this limitation may not apply to you.

Limitations of Liability

Intel's responsibility under this, or any other warranty, implied or expressed, is limited to repair, replacement, or refund, as set forth above. These remedies are the sole and exclusive remedies for any breach of warranty. Intel is not responsible for direct, special, incidental, or consequential damages resulting from any breach of warranty under another legal theory including, but not limited to, lost profits, downtime, goodwill, damage to or replacement of equipment and property, and any costs of recovering, reprogramming, or reproducing any program or data stored in or used with a system containing this product. Some jurisdictions do not allow the exclusion or limitation of incidental or consequential damages, so the above limitations or exclusions may not apply to you.

This limited warranty gives you specific legal rights, and you may also have other rights that vary from jurisdiction to jurisdiction.

Any and all disputes arising under or related to this Limited Warranty shall be adjudicated in the following forums and governed by the following laws: for the United States of America, Canada, North America, and South America, the forum shall be Santa Clara, California, USA, and the applicable law shall be that of the State of California, USA; for the Asia Pacific region, the forum shall be Singapore and the applicable law shall be that of Singapore; for Europe and the rest of the world, the forum shall be London and the applicable law shall be that of the United Kingdom.

In the event of any conflict between the English language version and any other translated version(s) of this Limited Warranty, the English language version shall control.

How to Obtain Warranty Service

To obtain warranty service for this Product, you may contact Intel or your authorized distributor.

- North America and Latin America To obtain warranty repair for the product, please go to the following Web site to obtain instructions: <http://support.intel.com/support/motherboards/draform.htm>
- In Europe and in Asia Contact your original authorized distributor for warranty service.

Any replacement Product is warranted under this written warranty and is subject to the same limitations and exclusions for the remainder of the original warranty period.

Telephone Support

If you cannot find the information you need on Intel's World Wide Web site (<http://www.intel.com/>), call your local distributor or an Intel Customer Support representative. See “[Getting Help](#)” for telephone numbers.

Returning a Defective Product

Before returning any product, call your authorized dealer/distribution authority.

Warranty

C Getting Help

World Wide Web

<http://support.intel.com/support/motherboards/server/ss4200-e/>.

Telephone

All calls are billed US \$25.00 per incident, levied in local currency at the applicable credit card exchange rate plus applicable taxes. (Intel reserves the right to change the pricing for telephone support at any time without notice).

For an updated support contact list, see <http://www.intel.com/support/9089.htm/>

U.S. and Canada

1-916-377-7000

Europe

Belgium 02 714 3182

Denmark ... 38 487077

Finland 9 693 79297

France..... 01 41 918529

Germany ... 069 9509 6099

Holland..... 020 487 4562

Italy..... 02 696 33276

Norway 23 1620 50

Spain..... 91 377 8166

Sweden..... 08 445 1251

UK..... 870 6072439

In Asia-Pacific region

Australia.... 1800 649931

Cambodia.. 63 2 636 9797 (via Philippines)

China 800 820 1100 (toll-free)
..... 8 621 33104691 (not toll-free)

Hong Kong 852 2 844 4456

India..... 0006517 2 68303634 (manual toll-free. You need an IDD-equipped telephone)

Indonesia ... 803 65 7249

Korea 822 767 2595

Malaysia 1 800 80 1390

Myanmar... 63 2 636 9796 (via Philippines)

New Zealand 0800 444 365

Pakistan.... 632 63684 15 (IDD via Philippines)

Philippines 1 800 1 651 0117

Singapore .. 65 6213-1311

Taiwan 2 2545-1640

Thailand 1 800 631 0003

Vietnam 632 6368416 (IDD via Philippines)

Japan

Domestic.... 0120 868686

Outside country 81 298 47 0800

Latin America

Argentina .. Contact AT&T USA at 0-800 222 1288. Once connected, dial 800 843 4481

Brazil 001-916 377 0180

Chile

Easter Island. Contact AT&T USA at 800 800 311. Once connected, dial 800 843 4481

Mainland and Juan .. Contact AT&T USA at 800 225 288. Once connected, dial 800 843 4481

Colombia... Contact AT&T USA at 01 800 911 0010. Once connected, dial 800 843 4481

Costa Rica . Contact AT&T USA at 0 800 0 114 114. Once connected, dial 800 843 4481

Ecuador

(Andimate) Contact AT&T USA at 1 999 119. Once connected, dial 800 843 4481

(Pacifictel) Contact AT&T USA at 1 800 225 528. Once connected, dial 800 843 4481

Guatemala. Contact AT&T USA at 99 99 190. Once connected, dial 800 843 4481

Mexico Contact AT&T USA at 001 800 462 628 4240. Once connected, dial 800 843 4481

Miami 1 800 621 8423

Panama..... Contact AT&T USA at 00 800 001 0109. Once connected, dial 800 843 4481

Paraguay ... 001 916 377 0114

Peru 001 916 377 0114

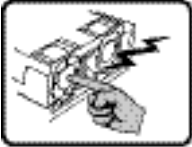
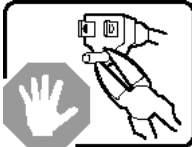
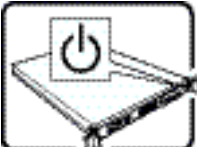

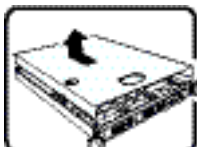
Uruguay..... 001 916 377 0114

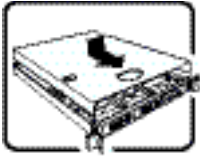
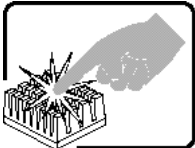

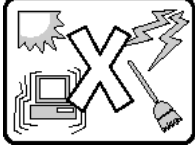
Venezuela... Contact AT&T USA at 0 800 2255 288. Once connected, dial 800 843 4481

Getting Help

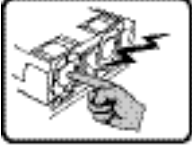
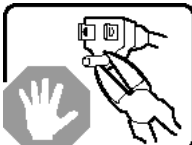
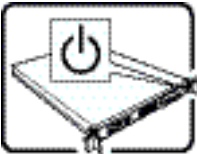

D Installation/Assembly Safety Instructions

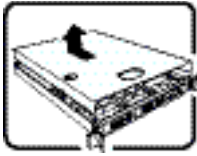
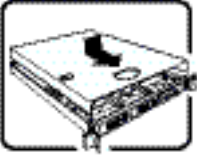
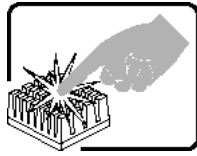
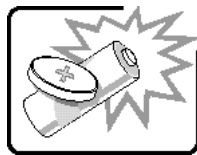
English

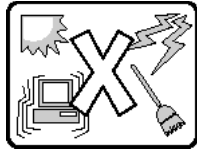
	<p>The power supply in this product contains no user-serviceable parts. Refer servicing only to qualified personnel.</p>
	<p>Do not attempt to modify or use the supplied AC power cord if it is not the exact type required. A product with more than one power supply will have a separate AC power cord for each supply.</p>
	<p>The power button on the system does not turn off system AC power. To remove AC power from the system, you must unplug each AC power cord from the wall outlet or power supply.</p> <p>The power cord(s) is considered the disconnect device to the main (AC) power. The socket outlet that the system plugs into shall be installed near the equipment and shall be easily accessible.</p>
	<p>SAFETY STEPS: Whenever you remove the chassis covers to access the inside of the system, follow these steps:</p> <ol style="list-style-type: none"> 1. Turn off all peripheral devices connected to the system. 2. Turn off the system by pressing the power button. 3. Unplug all AC power cords from the system or from wall outlets. 4. Label and disconnect all cables connected to I/O connectors or ports on the back of the system. 5. Provide some electrostatic discharge (ESD) protection by wearing an antistatic wrist strap attached to chassis ground of the system-any unpainted metal surface-when handling components. 6. Do not operate the system with the chassis covers removed.
	<p>After you have completed the six SAFETY steps above, you can remove the system covers. To do this:</p> <ol style="list-style-type: none"> 1. Unlock and remove the padlock from the back of the system if a padlock has been installed. 2. Remove and save all screws from the covers. 3. Remove the cover(s).

	<p>For proper cooling and airflow, always reinstall the chassis covers before turning on the system. Operating the system without the covers in place can damage system parts. To install the covers:</p> <ol style="list-style-type: none"> 1. Check first to make sure you have not left loose tools or parts inside the system. 2. Check that cables, add-in boards, and other components are properly installed. 3. Attach the covers to the chassis with the screws removed earlier, and tighten them firmly. 4. Insert and lock the padlock to the system to prevent unauthorized access inside the system. 5. Connect all external cables and the AC power cord(s) to the system.
	<p>A microprocessor and heat sink may be hot if the system has been running. Also, there may be sharp pins and edges on some board and chassis parts. Contact should be made with care. Consider wearing protective gloves.</p>
	<p>Danger of explosion if the battery is incorrectly replaced. Replace only with the same or equivalent type recommended by the equipment manufacturer. Dispose of used batteries according to manufacturer's instructions.</p>
	<p>The system is designed to operate in a typical office environment. Choose a site that is:</p> <ul style="list-style-type: none"> • Clean and free of airborne particles (other than normal room dust). • Well ventilated and away from sources of heat including direct sunlight. • Away from sources of vibration or physical shock. • Isolated from strong electromagnetic fields produced by electrical devices. • In regions that are susceptible to electrical storms, we recommend you plug your system into a surge suppressor and disconnect telecommunication lines to your modem during an electrical storm. • Provided with a properly grounded wall outlet. • Provided with sufficient space to access the power supply cord(s), because they serve as the product's main power disconnect.

Deutsch

	<p>Benutzer können am Netzgerät dieses Produkts keine Reparaturen vornehmen. Das Produkt enthält möglicherweise mehrere Netzgeräte. Wartungsarbeiten müssen von qualifizierten Technikern ausgeführt werden.</p>
	<p>Versuchen Sie nicht, das mitgelieferte Netzkabel zu ändern oder zu verwenden, wenn es sich nicht genau um den erforderlichen Typ handelt. Ein Produkt mit mehreren Netzgeräten hat für jedes Netzgerät ein eigenes Netzkabel.</p>
	<p>Der Wechselstrom des Systems wird durch den Ein-/Aus-Schalter für Gleichstrom nicht ausgeschaltet. Ziehen Sie jedes Wechselstrom-Netzkabel aus der Steckdose bzw. dem Netzgerät, um den Stromanschluß des Systems zu unterbrechen.</p>
	<p>SICHERHEISSMASSNAHMEN: Immer wenn Sie die Gehäuseabdeckung abnehmen um an das Systeminnere zu gelangen, sollten Sie folgende Schritte beachten:</p> <ol style="list-style-type: none"> 1. Schalten Sie alle an Ihr System angeschlossenen Peripheriegeräte aus. 2. Schalten Sie das System mit dem Hauptschalter aus. 3. Ziehen Sie den Stromanschlußstecker Ihres Systems aus der Steckdose. 4. Auf der Rückseite des Systems beschriften und ziehen Sie alle Anschlußkabel von den I/O Anschlüssen oder Ports ab. 5. Tragen Sie ein geerdetes Antistatik Gelenkband, um elektrostatische Ladungen (ESD) über blanke Metallstellen bei der Handhabung der Komponenten zu vermeiden. 6. Schalten Sie das System niemals ohne ordnungsgemäß montiertes Gehäuse ein.

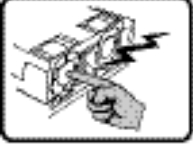
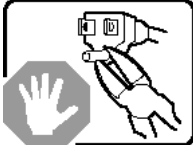


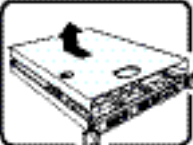
	<p>SICHERHEISSMASSNAHMEN: Immer wenn Sie die Gehäuseabdeckung abnehmen um an das Systeminnere zu gelangen, sollten Sie folgende Schritte beachten:</p> <ol style="list-style-type: none"> 1. Schalten Sie alle an Ihr System angeschlossenen Peripheriegeräte aus. 2. Schalten Sie das System mit dem Hauptschalter aus. 3. Ziehen Sie den Stromanschlußstecker Ihres Systems aus der Steckdose. 4. Auf der Rückseite des Systems beschriften und ziehen Sie alle Anschlußkabel von den I/O Anschlüssen oder Ports ab. 5. Tragen Sie ein geerdetes Antistatik Gelenkband, um elektrostatische Ladungen (ESD) über blanke Metallstellen bei der Handhabung der Komponenten zu vermeiden. 6. Schalten Sie das System niemals ohne ordnungsgemäß montiertes Gehäuse ein.
	<p>Zur ordnungsgemäßen Kühlung und Lüftung muß die Gehäuseabdeckung immer wieder vor dem Einschalten installiert werden. Ein Betrieb des Systems ohne angebrachte Abdeckung kann Ihrem System oder Teile darin beschädigen. Um die Abdeckung wieder anzubringen:</p> <ol style="list-style-type: none"> 1. Vergewissern Sie sich, daß Sie keine Werkzeuge oder Teile im Innern des Systems zurückgelassen haben. 2. Überprüfen Sie alle Kabel, Zusatzkarten und andere Komponenten auf ordnungsgemäßen Sitz und Installation. 3. Bringen Sie die Abdeckungen wieder am Gehäuse an, indem Sie die zuvor gelösten Schrauben wieder anbringen. Ziehen Sie diese gut an. 4. Bringen Sie die Verschlusseinrichtung (Padlock) wieder an und schließen Sie diese, um ein unerlaubtes Öffnen des Systems zu verhindern. 5. Schließen Sie alle externen Kabel und den AC Stromanschlußstecker Ihres Systems wieder an.
	<p>Der Mikroprozessor und der Kühler sind möglicherweise erhitzt, wenn das System in Betrieb ist. Außerdem können einige Platinen und Gehäuseteile scharfe Spitzen und Kanten aufweisen. Arbeiten an Platinen und Gehäuse sollten vorsichtig ausgeführt werden. Sie sollten Schutzhandschuhe tragen.</p>
	<p>Bei falschem Einsetzen einer neuen Batterie besteht Explosionsgefahr. Die Batterie darf nur durch denselben oder einen entsprechenden, vom Hersteller empfohlenen Batterietyp ersetzt werden. Entsorgen Sie verbrauchte Batterien den Anweisungen des Herstellers entsprechend.</p>

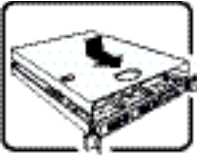
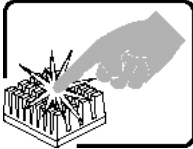
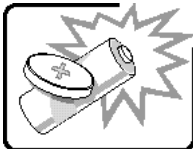
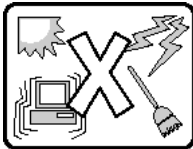


Das System wurde für den Betrieb in einer normalen Büroumgebung entwickelt. Der Standort sollte:

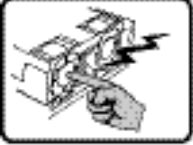
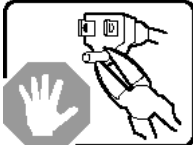


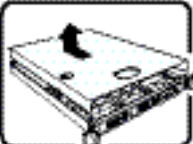
- "sauber und staubfrei sein (Hausstaub ausgenommen);
- "gut gelüftet und keinen Heizquellen ausgesetzt sein (einschließlich direkter Sonneneinstrahlung);
- "keinen Erschütterungen ausgesetzt sein;
- "keine starken, von elektrischen Geräten erzeugten elektromagnetischen Felder aufweisen;
- "in Regionen, in denen elektrische Stürme auftreten, mit einem Überspannungsschutzgerät verbunden sein; während eines elektrischen Sturms sollte keine Verbindung der Telekommunikationsleitungen mit dem Modem bestehen;
- "mit einer geerdeten Wechselstromsteckdose ausgerüstet sein;
- "über ausreichend Platz verfügen, um Zugang zu den Netzkabeln zu gewährleisten, da der Stromanschluß des Produkts hauptsächlich über die Kabel unterbrochen wird

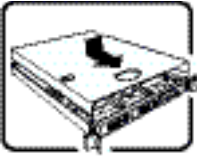
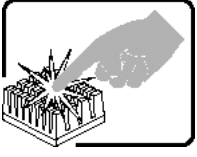
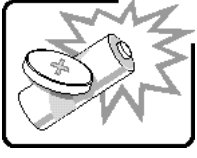
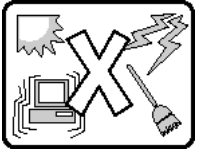
Français

	<p>Le bloc d'alimentation de ce produit ne contient aucune pièce pouvant être réparée par l'utilisateur. Ce produit peut contenir plus d'un bloc d'alimentation. Veuillez contacter un technicien qualifié en cas de problème.</p>
	<p>Ne pas essayer d'utiliser ni modifier le câble d'alimentation CA fourni, s'il ne correspond pas exactement au type requis. Le nombre de câbles d'alimentation CA fournis correspond au nombre de blocs d'alimentation du produit</p>
	<p>Notez que le commutateur CC de mise sous tension /hors tension du panneau avant n'éteint pas l'alimentation CA du système. Pour mettre le système hors tension, vous devez débrancher chaque câble d'alimentation de sa prise.</p>
	<p>CONSIGNES DE SÉCURITÉ -Lorsque vous ouvrez le boîtier pour accéder à l'intérieur du système, suivez les consignes suivantes:</p> <ol style="list-style-type: none"> 1. Mettez hors tension tous les périphériques connectés au système. 2. Mettez le système hors tension en mettant l'interrupteur général en position OFF (bouton-poussoir). 3. Débranchez tous les cordons d'alimentation c.a. du système et des prises murales. 4. Identifiez et débranchez tous les câbles reliés aux connecteurs d'E-S ou aux accès derrière le système. 5. Pour prévenir les décharges électrostatiques lorsque vous touchez aux composants, portez une bande antistatique pour poignet et reliez-la à la masse du système (toute surface métallique non peinte du boîtier). 6. Ne faites pas fonctionner le système tandis que le boîtier est ouvert.
	<p>Une fois TOUTES les étapes précédentes accomplies, vous pouvez retirer les panneaux du système. Procédez comme suit:</p> <ol style="list-style-type: none"> 1. Si un cadenas a été installé sur à l'arrière du système, déverrouillez-le et retirez-le. 2. Retirez toutes les vis des panneaux et mettez-les dans un endroit sûr. 3. Retirez les panneaux.

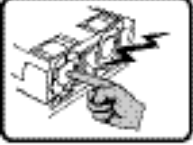
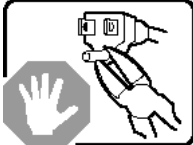


	<p>Afin de permettre le refroidissement et l'aération du système, réinstallez toujours les panneaux du boîtier avant de mettre le système sous tension. Le fonctionnement du système en l'absence des panneaux risque d'endommager ses pièces. Pour installer les panneaux, procédez comme suit:</p> <ol style="list-style-type: none"> 1. Assurez-vous de ne pas avoir oublié d'outils ou de pièces démontées dans le système. 2. Assurez-vous que les câbles, les cartes d'extension et les autres composants sont bien installés. 3. Revissez solidement les panneaux du boîtier avec les vis retirées plus tôt. 4. Remettez le cadenas en place et verrouillez-le afin de prévenir tout accès non autorisé à l'intérieur du système. 5. Rebranchez tous les cordons d'alimentation c. a. et câbles externes au système.
	<p>Le microprocesseur et le dissipateur de chaleur peuvent être chauds si le système a été sous tension. Faites également attention aux broches aiguës des cartes et aux bords tranchants du capot. Nous vous recommandons l'usage de gants de protection.</p>
	<p>Danger d'explosion si la batterie n'est pas remontée correctement. Remplacer uniquement avec une batterie du même type ou d'un type équivalent recommandé par le fabricant. Disposez des piles usées selon les instructions du fabricant.</p>
	<p>Le système a été conçu pour fonctionner dans un cadre de travail normal. L'emplacement choisi doit être:</p> <ul style="list-style-type: none"> • "Propre et dépourvu de poussière en suspension (sauf la poussière normale). • "Bien aéré et loin des sources de chaleur, y compris du soleil direct. • "A l'abri des chocs et des sources de vibrations. • "Isolé de forts champs électromagnétiques géenérés par des appareils électriques. • "Dans les régions sujettes aux orages magnétiques il est recomandé de brancher votre système à un supresseur de surtension, et de débrancher toutes les lignes de télécommunications de votre modem durant un orage. • "Muni d'une prise murale correctement mise à la terre. • "Suffisamment spacieux pour vous permettre d'accéder aux câbles d'alimentation (ceux-ci étant le seul moyen de mettre le système hors tension).

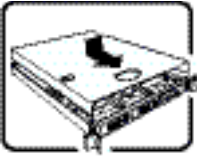
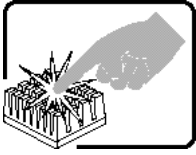
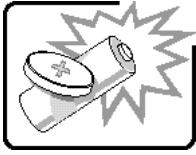
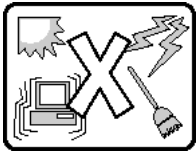
Español

	<p>El usuario debe abstenerse de manipular los componentes de la fuente de alimentación de este producto, cuya reparación debe dejarse exclusivamente en manos de personal técnico especializado. Puede que este producto disponga de más de una fuente de alimentación</p>
	<p>No intente modificar ni usar el cable de alimentación de corriente alterna, si no corresponde exactamente con el tipo requerido. El número de cables suministrados se corresponden con el número de fuentes de alimentación de corriente alterna que tenga el producto</p>
	<p>Nótese que el interruptor activado/desactivado en el panel frontal no desconecta la corriente alterna del sistema. Para desconectarla, deberá desenchufar todos los cables de corriente alterna de la pared o desconectar la fuente de alimentación.</p>
	<p>INSTRUCCIONES DE SEGURIDAD: Cuando extraiga la tapa del chasis para acceder al interior del sistema, siga las siguientes instrucciones:</p> <ol style="list-style-type: none"> 1. Apague todos los dispositivos periféricos conectados al sistema. 2. Apague el sistema presionando el interruptor encendido/apagado. 3. Desconecte todos los cables de alimentación CA del sistema o de las tomas de corriente alterna. 4. Identifique y desconecte todos los cables enchufados a los conectores E/S o a los puertos situados en la parte posterior del sistema. 5. Cuando manipule los componentes, es importante protegerse contra la descarga electrostática (ESD). Puede hacerlo si utiliza una muñequera antiestática sujeta a la toma de tierra del chasis - o a cualquier tipo de superficie de metal sin pintar. 6. No ponga en marcha el sistema si se han extraído las tapas del chasis.
	<p>Después de completar las seis instrucciones de SEGURIDAD mencionadas, ya puede extraer las tapas del sistema. Para ello:</p> <ol style="list-style-type: none"> 1. Desbloquee y extraiga el bloqueo de seguridad de la parte posterior del sistema, si se ha instalado uno. 2. Extraiga y guarde todos los tornillos de las tapas. Extraiga las tapas.

	<p>Para obtener un enfriamiento y un flujo de aire adecuados, reinstale siempre las tapas del chasis antes de poner en marcha el sistema. Si pone en funcionamiento el sistema sin las tapas bien colocadas puede dañar los componentes del sistema. Para instalar las tapas:</p> <ol style="list-style-type: none"> 1. Asegúrese primero de no haber dejado herramientas o componentes sueltos dentro del sistema. 2. Compruebe que los cables, las placas adicionales y otros componentes se hayan instalado correctamente. 3. Incorpore las tapas al chasis mediante los tornillos extraídos anteriormente, tensándolos firmemente. 4. Inserte el bloqueo de seguridad en el sistema y bloquéelo para impedir que pueda accederse al mismo sin autorización. 5. Conecte todos los cables externos y los cables de alimentación CA al sistema.
	<p>Si el sistema ha estado en funcionamiento, el microprocesador y el disipador de calor pueden estar aún calientes. También conviene tener en cuenta que en el chasis o en el tablero puede haber piezas cortantes o punzantes. Por ello, se recomienda precaución y el uso de guantes protectores.</p>
	<p>Existe peligro de explosión si la pila no se cambia de forma adecuada. Utilice solamente pilas iguales o del mismo tipo que las recomendadas por el fabricante del equipo. Para deshacerse de las pilas usadas, siga igualmente las instrucciones del fabricante.</p>
	<p>El sistema está diseñado para funcionar en un entorno de trabajo normal. Escoja un lugar:</p> <ul style="list-style-type: none"> • "Limpio y libre de partículas en suspensión (salvo el polvo normal). • "Bien ventilado y alejado de fuentes de calor, incluida la luz solar directa. • "Alejado de fuentes de vibración. • "Aislado de campos electromagnéticos fuertes producidos por dispositivos eléctricos. • "En regiones con frecuentes tormentas eléctricas, se recomienda conectar su sistema a un eliminador de sobrevoltage y desconectar el módem de las líneas de telecomunicación durante las tormentas. • "Provisto de una toma de tierra correctamente instalada. • "Provisto de espacio suficiente como para acceder a los cables de alimentación, ya que éstos hacen de medio principal de desconexión del sistema.

Italiano

	<p>Rivolgersi ad un tecnico specializzato per la riparazione dei componenti dell'alimentazione di questo prodotto. È possibile che il prodotto disponga di più fonti di alimentazione.</p>
	<p>Non modificare o utilizzare il cavo di alimentazione in c.a. fornito dal produttore, se non corrisponde esattamente al tipo richiesto. Ad ogni fonte di alimentazione corrisponde un cavo di alimentazione in c.a. separato</p>
	<p>L'interruttore attivato/disattivato nel pannello anteriore non interrompe l'alimentazione in c.a. del sistema. Per interromperla, è necessario scollegare tutti i cavi di alimentazione in c.a. dalle prese a muro o dall'alimentazione di corrente.</p>
	<p>PASSI DI SICUREZZA: Qualora si rimuovano le coperture del telaio per accedere all'interno del sistema, seguire i seguenti passi:</p> <ol style="list-style-type: none"> 1. Spegner tutti i dispositivi periferici collegati al sistema. 2. Spegner il sistema, usando il pulsante spento/acceso dell'interruttore del sistema. 3. Togliere tutte le spine dei cavi del sistema dalle prese elettriche. 4. Identificare e sconnettere tutti i cavi attaccati ai collegamenti I/O od alle prese installate sul retro del sistema. 5. Qualora si tocchino i componenti, proteggersi dallo scarico elettrostatico (SES), portando un cinghia anti-statica da polso che è attaccata alla presa a terra del telaio del sistema - qualsiasi superficie non dipinta - . 6. Non far operare il sistema quando il telaio è senza le coperture.
	<p>Dopo aver seguito i sei passi di SICUREZZA sopracitati, togliere le coperture del telaio del sistema come segue:</p> <ol style="list-style-type: none"> 1. Aprire e rimuovere il lucchetto dal retro del sistema qualora ve ne fosse uno installato. 2. Togliere e mettere in un posto sicuro tutte le viti delle coperture. 3. Togliere le coperture.

	<p>Per il giusto flusso dell'aria e raffreddamento del sistema, rimettere sempre le coperture del telaio prima di riaccendere il sistema. Operare il sistema senza le coperture al loro proprio posto potrebbe danneggiare i componenti del sistema. Per rimettere le coperture del telaio:</p> <ol style="list-style-type: none"> 1. Controllare prima che non si siano lasciati degli attrezzi o dei componenti dentro il sistema. 2. Controllare che i cavi, dei supporti aggiuntivi ed altri componenti siano stati installati appropriatamente. 3. Attaccare le coperture al telaio con le viti tolte in precedenza e avvitarle strettamente. 4. Inserire e chiudere a chiave il lucchetto sul retro del sistema per impedire l'accesso non autorizzato al sistema. 5. Ricollegare tutti i cavi esterni e le prolunghie AC del sistema.
	<p>Se il sistema è stato a lungo in funzione, il microprocessore e il dissipatore di calore potrebbero essere surriscaldati. Fare attenzione alla presenza di piedini appuntiti e parti taglienti sulle schede e sul telaio. È consigliabile l'uso di guanti di protezione.</p>
	<p>Esiste il pericolo di un'esplosione se la pila non viene sostituita in modo corretto. Utilizzare solo pile uguali o di tipo equivalente a quelle consigliate dal produttore. Per disfarsi delle pile usate, seguire le istruzioni del produttore.</p>
	<p>Il sistema è progettato per funzionare in un ambiente di lavoro tipo. Scegliere una postazione che sia:</p> <ul style="list-style-type: none"> • "Pulita e libera da particelle in sospensione (a parte la normale polvere presente nell'ambiente). • "Ben ventilata e lontana da fonti di calore, compresa la luce solare diretta. • "Al riparo da urti e lontana da fonti di vibrazione. • "Isolata dai forti campi magnetici prodotti da dispositivi elettrici. • "In aree soggette a temporali, è consigliabile collegare il sistema ad un limitatore di corrente. In caso di temporali, scollegare le linee di comunicazione dal modem. • "Dotata di una presa a muro correttamente installata. • "Dotata di spazio sufficiente ad accedere ai cavi di alimentazione, i quali rappresentano il mezzo principale di scollegamento del sistema.

Installation/Assembly Safety Instructions

E Safety Information

English

Safety Information

This document applies to Intel® server boards, Intel® server chassis (pedestal and rack-mount), Intel® storage systems and installed peripherals. To reduce the risk of bodily injury, electrical shock, fire, and equipment damage, read this document and observe all warnings and precautions in this guide before installing or maintaining your Intel® server product.







In the event of a conflict between the information in this document and information provided with the product or on the website for a particular product, the product documentation takes precedence.

Your server should be integrated and serviced only by technically qualified persons.

You must adhere to the guidelines in this guide and the assembly instructions in your server manuals to ensure and maintain compliance with existing product certifications and approvals. Use only the described, regulated components specified in this guide. Use of other products / components will void the UL Listing and other regulatory approvals of the product, and may result in noncompliance with product regulations in the region(s) in which the product is sold.

Safety Warnings and Cautions

To avoid personal injury or property damage, before you begin installing the product, read, observe, and adhere to all of the following safety instructions and information. The following safety symbols may be used throughout the documentation and may be marked on the product and / or the product packaging.

CAUTION	Indicates the presence of a hazard that may cause minor personal injury or property damage if the CAUTION is ignored.
WARNING	Indicates the presence of a hazard that may result in serious personal injury if the WARNING is ignored.
	Indicates potential hazard if indicated information is ignored.
	Indicates shock hazards that result in serious injury or death if safety instructions are not followed.
	Indicates hot components or surfaces.
	Indicates do not touch fan blades, may result in injury.
	Indicates to unplug all AC power cord(s) to disconnect AC power
	Please recycle battery

Intended Application Uses

This product was evaluated as Information Technology Equipment (ITE), which may be installed in offices, schools, computer rooms, and similar commercial type locations. The suitability of this product for other product categories and environments (such as medical, industrial, residential, alarm systems, and test equipment), other than an ITE application, may require further evaluation.

Site Selection

The system is designed to operate in a typical office environment. Choose a site that is:

- Clean, dry, and free of airborne particles (other than normal room dust).
- Well-ventilated and away from sources of heat including direct sunlight and radiators.
- Away from sources of vibration or physical shock.
- Isolated from strong electromagnetic fields produced by electrical devices.
- In regions that are susceptible to electrical storms, we recommend you plug your system into a surge suppressor and disconnect telecommunication lines to your modem during an electrical storm.
- Provided with a properly grounded wall outlet.
- Provided with sufficient space to access the power supply cord(s), because they serve as the product's main power disconnect.

Equipment Handling Practices

Reduce the risk of personal injury or equipment damage:

- Conform to local occupational health and safety requirements when moving and lifting equipment.
- Use mechanical assistance or other suitable assistance when moving and lifting equipment.
- To reduce the weight for easier handling, remove any easily detachable components.

Power and Electrical Warnings

Caution: *The power button, indicated by the stand-by power marking, DOES NOT completely turn off the system AC power, 5V standby power is active whenever the system is plugged in. To remove power from system, you must unplug the AC power cord from the wall outlet. Your system may use more than one AC power cord. Make sure all AC power cords are*

unplugged. Make sure the AC power cord(s) is/are unplugged before you open the chassis, or add or remove any non hot-plug components.

Do not attempt to modify or use an AC power cord if it is not the exact type required. A separate AC cord is required for each system power supply.

Some power supplies in Intel® servers use Neutral Pole Fusing. To avoid risk of shock use caution when working with power supplies that use Neutral Pole Fusing.

The power supply in this product contains no user-serviceable parts. Do not open the power supply. Hazardous voltage, current and energy levels are present inside the power supply. Return to manufacturer for servicing.

When replacing a hot-plug power supply, unplug the power cord to the power supply being replaced before removing it from the server.

To avoid risk of electric shock, turn off the server and disconnect the power cord, telecommunications systems, networks, and modems attached to the server before opening it.

Power Cord Warnings

If an AC power cord was not provided with your product, purchase one that is approved for use in your country.

Caution: *To avoid electrical shock or fire, check the power cord(s) that will be used with the product as follows:*

- *Do not attempt to modify or use the AC power cord(s) if they are not the exact type required to fit into the grounded electrical outlets*
- *The power cord(s) must meet the following criteria:*
- *The power cord must have an electrical rating that is greater than that of the electrical current rating marked on the product.*
- *The power cord must have safety ground pin or contact that is suitable for the electrical outlet.*
- *The power supply cord(s) is/are the main disconnect device to AC power. The socket outlet(s) must be near the equipment and readily accessible for disconnection.*
- *The power supply cord(s) must be plugged into socket-outlet(s) that is /are provided with a suitable earth ground.*

System Access Warnings

Caution: *To avoid personal injury or property damage, the following safety instructions apply whenever accessing the inside of the product:*

- *Turn off all peripheral devices connected to this product.*
- *Turn off the system by pressing the power button to off.*
- *Disconnect the AC power by unplugging all AC power cords from the system or wall outlet.*

Safety Information

- *Disconnect all cables and telecommunication lines that are connected to the system.*
- *Retain all screws or other fasteners when removing access cover(s). Upon completion of accessing inside the product, refasten access cover with original screws or fasteners.*
- *Do not access the inside of the power supply. There are no serviceable parts in the power supply. Return to manufacturer for servicing.*
- *Power down the server and disconnect all power cords before adding or replacing any non hot-plug component.*
- *When replacing a hot-plug power supply, unplug the power cord to the power supply being replaced before removing the power supply from the server.*

Caution: *If the server has been running, any installed processor(s) and heat sink(s) may be hot. Unless you are adding or removing a hot-plug component, allow the system to cool before opening the covers. To avoid the possibility of coming into contact with hot component(s) during a hot-plug installation, be careful when removing or installing the hot-plug component(s).*

Caution: *To avoid injury do not contact moving fan blades. If your system is supplied with a guard over the fan, do not operate the system without the fan guard in place.*

Rack Mount Warnings

The equipment rack must be anchored to an unmovable support to prevent it from tipping when a server or piece of equipment is extended from it. The equipment rack must be installed according to the rack manufacturer's instructions.

Install equipment in the rack from the bottom up, with the heaviest equipment at the bottom of the rack.

Extend only one piece of equipment from the rack at a time.

You are responsible for installing a main power disconnect for the entire rack unit. This main disconnect must be readily accessible, and it must be labeled as controlling power to the entire unit, not just to the server(s).

To avoid risk of potential electric shock, a proper safety ground must be implemented for the rack and each piece of equipment installed in it.

Electrostatic Discharge (ESD)

Caution: *ESD can damage disk drives, boards, and other parts. We recommend that you perform all procedures at an ESD workstation. If one is not available, provide some ESD protection by wearing an antistatic wrist strap attached to chassis ground -- any unpainted metal surface -- on your server when handling parts.*

Always handle boards carefully. They can be extremely sensitive to ESD. Hold boards only by their edges. After removing a board from its protective wrapper or from the server, place the board component side up on a grounded, static free surface. Use a

conductive foam pad if available but not the board wrapper. Do not slide board over any surface.

Other Hazards

Battery Replacement

Caution: *There is the danger of explosion if the battery is incorrectly replaced. When replacing the battery, use only the battery recommended by the equipment manufacturer.*

Dispose of batteries according to local ordinances and regulations.

Do not attempt to recharge a battery.

Do not attempt to disassemble, puncture, or otherwise damage a battery.

Cooling and Airflow

Caution: *Carefully route cables as directed to minimize airflow blockage and cooling problems.*

For proper cooling and airflow, operate the system only with the chassis covers installed. Operating the system without the covers in place can damage system parts. To install the covers:

- *Check first to make sure you have not left loose tools or parts inside the system.*
- *Check that cables, add-in boards, and other components are properly installed.*
- *Attach the covers to the chassis according to the product instructions.*

Laser Peripherals or Devices

Caution: *To avoid risk of radiation exposure and/or personal injury:*

- *Do not open the enclosure of any laser peripheral or device*
- *Laser peripherals or devices have are not user serviceable*
- *Return to manufacturer for servicing*

Deutsch

Sicherheitshinweise für den Server

Das vorliegende Dokument bezieht sich auf Intel® Serverplatinen, Intel® Servergehäuse (Standfuß und Rack) sowie installierte Peripheriegeräte. Es enthält Warnungen und Vorsichtsmaßnahmen zur Vermeidung von Gefahren durch Verletzung, Stromschlag, Feuer und Beschädigungen von Geräten. Lesen Sie diese Dokument daher sorgfältig, bevor Sie Ihr Intel® Serverprodukt installieren oder warten.







Bei Widersprüchen zwischen den hier vorliegenden Angaben und den Informationen im Lieferumfang des Produkts oder auf der Website des betreffenden Produkts hat die Produktdokumentation Vorrang.

Die Integration und Wartung des Servers darf nur durch technisch qualifizierte Personen erfolgen.

Um die Einhaltung der vorhandenen Zulassungen und Genehmigungen für das Produkt zu gewährleisten, sind die Richtlinien in diesem Handbuch sowie die Montageanleitungen in den Serverhandbüchern zu beachten. Verwenden Sie nur die beschriebenen, zugelassenen Komponenten, die im vorliegenden Handbuch angegeben werden. Die Verwendung anderer Produkte oder Komponenten führt zum Erlöschen der UL-Zulassung und anderer Genehmigungen für das Produkt. Dadurch kann das Produkt gegen Produktbestimmungen verstoßen, die im Verkaufsland gelten.

Sicherheitshinweise und Vorsichtsmaßnahmen

Um Verletzungen und Beschädigungen zu vermeiden, sollten Sie vor dem Beginn der Produktinstallation die nachfolgend aufgeführten Sicherheitshinweise und -informationen sorgfältig lesen und befolgen. In dem vorliegenden Handbuch sowie auf dem Produkt und auf der Verpackung werden folgende Sicherheitssymbole verwendet:

VORSICHT	Weist auf eine Gefahrenquelle hin, die bei Nichtbeachtung des VORSICHTSHINWEISES zu leichteren Verletzungen bzw. Sachbeschädigungen führen kann.
WARNUNG	Weist auf eine Gefahrenquelle hin, die bei Nichtbeachtung der WARNUNG zu ernstesten Verletzungen führen kann.
	Weist auf potentielle Gefahr bei Nichtbeachtung der angezeigten Informationen hin.
	Weist auf die Gefahr eines Stromschlags hin, der bei Nichtbeachtung der Sicherheitshinweise zu schweren oder tödlichen Verletzungen führen kann.
	Weist auf Verbrennungsgefahr an heißen Bauteilen bzw. Oberflächen hin.
	Weist darauf hin, daß das Anfassen des Gebläses zu Verletzungen führen kann.
	Bedeutet, alle Netzkabel abzuziehen und das Gerät von der Netzspannung zu trennen.
	Bereiten Sie bitte Batterie auf

Zielbenutzer der Anwendung

Dieses Produkt wurde in seiner Eigenschaft als IT-Gerät getestet, das in Büros, Schulen, Computerräumen und ähnlichen öffentlichen Räumlichkeiten installiert werden kann. Die Eignung dieses Produkts für andere Einsatzbereiche als IT (z. B. Medizin, Industrie, Alarmsysteme oder Prüfgeräte) kann u. U. weitere Tests erfordern.

Standortauswahl

Das System ist für den Betrieb innerhalb normaler Büroumgebungen geeignet. Wählen Sie einen Standort, der folgenden Kriterien entspricht:

- Sauber, trocken und frei von Partikeln in der Luft (außer dem normalen Raumstaub).
- Gut belüftet, nicht in der Nähe von Wärmequellen und keiner direkten Sonnenbestrahlung ausgesetzt.
- Nicht in der Nähe von Vibrations- oder Erschütterungsquellen.
- Abgeschirmt von starken elektromagnetischen Feldern, die durch elektrische Geräte erzeugt werden.
- In gewittergefährdeten Gebieten sollten Sie das System an einen Überspannungsschutz anschließen und bei einem Gewitter die Telekommunikationskabel zum Modem abziehen.
- Eine ordnungsgemäß geerdete Wandsteckdose muß vorhanden sein.
- Ausreichender Freiraum für den Zugang zu den Netzkabeln, da diese die Hauptvorrichtung zum Trennen des Produkts von der Stromversorgung sind.

Handhabung von Geräten

Beachten Sie zur Vermeidung von Verletzungen oder Beschädigungen an den Geräten die folgenden Hinweise:

- Halten Sie beim Transportieren und Anheben von Geräten die örtlichen Gesundheits- und Sicherheitsvorschriften ein.
- Verwenden Sie mechanische oder andere geeignete Hilfsmittel zum Transportieren oder Anheben von Geräten.
- Entfernen Sie alle Komponenten, die sich leicht abnehmen lassen, um das Gewicht zu reduzieren und die Handhabung zu erleichtern.

Warnungen zu Netzspannung und Elektrizität

Vorsicht: Durch Betätigen der mit dem Standby-Symbol gekennzeichneten Netztaste wird das System NICHT vollständig vom Netz getrennt. Es sind weiterhin 5 V aktiv, solange das System eingesteckt ist. Um das System vollständig vom Strom zu trennen, muß das Netzkabel aus der Steckdose abgezogen werden. Das System verfügt möglicherweise über mehrere Netzkabel. Vergewissern Sie sich in diesem Fall, daß alle Netzkabel abgezogen sind. Wenn Sie Komponenten ein- oder ausbauen möchten, die nicht hot-plug-fähig sind, stellen Sie sicher, daß zuvor alle Netzkabel abgezogen sind.

Nehmen Sie keine Änderungen am Netzkabel vor, und verwenden Sie kein Kabel, das nicht genau dem geforderten Typ entspricht. Jedes Netzteil im System muß über ein eigenes Netzkabel angeschlossen werden.

Einige Netzteile von Intel Servern verwenden Nullleitersicherungen. Vorsicht ist geboten im Umgang mit Netzteilen, welche Nullleitersicherungen verwenden, um das Risiko eines elektrischen Schlages zu vermeiden

Das Netzteil in diesem Produkt enthält keine Teile, die vom Benutzer gewartet werden können. Öffnen Sie das Netzteil nicht. Im Netzteil bestehen gefährliche Spannungen, Ströme und Energiequellen. Schicken Sie das Gerät für Wartungsarbeiten an den Hersteller zurück.

Wenn Sie ein hot-plug-fähiges Netzteil austauschen, ziehen Sie dessen Netzkabel ab, bevor Sie es aus dem Server ausbauen.

Zur Vermeidung von Stromschlägen schalten Sie den Server aus, und trennen Sie vor dem Öffnen des Geräts das Netzkabel sowie alle an den Server angeschlossene Telekommunikationssysteme, Netzwerke und Modems.

Hinweis für Netzkabel

Wenn kein Netzkabel mit dem Produkt geliefert wurde, kaufen Sie ein Kabel, das für die

Vorsicht: Prüfen Sie zur Vermeidung von Stromschlag- oder Feuergefahr die mit dem Produkt zu verwendenden Netzkabel wie folgt:

- Nehmen Sie keine Änderungen an einem Netzkabel vor, und benutzen sie es nicht, wenn es nicht genau in die geerdeten Netzsteckdosen paßt.
- Netzkabel müssen die folgenden Anforderungen erfüllen:
- Die Nennbelastbarkeit des Netzkabels muß mindestens so hoch sein wie die am Produkt angegebenen Nennstromaufnahme.
- Das Netzkabel muß einen zur Netzsteckdose passenden Schutzkontakt besitzen.
- Die Netzkabel sind die Hauptvorrichtung zum Trennen des Geräts vom Stromnetz. Die Steckdose muß in der Nähe der Anlage angebracht und gut erreichbar sein.
- Netzkabel müssen an eine ordnungsgemäß geerdete Steckdose angeschlossen sein.

Warnhinweise für den Systemzugang

Vorsicht: Um Verletzungen und Beschädigungen zu vermeiden, sollten Sie vor Arbeiten im Produktinneren folgende Sicherheitsanweisungen beachten:

- Schalten Sie alle am Produkt angeschlossenen Peripheriegeräte aus.
- Schalten Sie das System mit dem Netzschalter aus.
- Trennen Sie das Gerät von der Stromquelle, indem Sie alle Netzkabel vom System bzw. aus der Steckdose ziehen.
- Ziehen Sie alle Kabel und alle an das System angeschlossenen Telekommunikationsleitungen ab.
- Bewahren Sie alle Schrauben und anderen Befestigungselemente gut auf, nachdem Sie die Gehäuseabdeckung entfernt haben. Wenn Sie Ihre Arbeiten im Systeminneren beendet haben, befestigen Sie die Gehäuseabdeckung mit den Originalschrauben bzw. -befestigungselementen.
- Führen Sie keine Arbeiten im Netzteil aus. Das Netzteil enthält keine für den Benutzer wartungsbedürftigen Teile. Schicken Sie das Gerät für Wartungsarbeiten an den Hersteller zurück.
- Schalten Sie den Server aus, und ziehen Sie alle Netzkabel ab, bevor Sie Komponenten ein- oder ausbauen, die nicht hot-plug-fähig sind.
- Wenn Sie ein hot-plug-fähiges Netzteil austauschen, ziehen Sie dessen Netzkabel ab, bevor Sie es aus dem Server ausbauen.

Vorsicht: War Ihr Server in Betrieb, können die installierten Prozessoren und Kühlkörper heiß sein. Sofern Sie keine Hot-Plug-Komponenten ein- oder ausbauen, warten Sie mit dem Abnehmen der Abdeckungen, bis das System abgekühlt ist. Gehen Sie beim Aus- oder Einbauen von Hot-Plug-Komponenten sorgfältig vor, um nicht mit heißen Komponenten in Berührung zu kommen.

Vorsicht: Berühren Sie nicht die rotierenden Lüfterflügel, um Verletzungen zu vermeiden. Falls Ihr System mit einer Lüfterabdeckung besitzt, darf es nicht ohne diese Abdeckung betrieben werden.

Warnhinweise für Racks

Das Geräte-Rack muß auf einer geeigneten, festen Unterlage verankert werden, um ein Umkippen zu vermeiden, wenn ein Server oder andere Geräte herausgezogen werden. Bei der Installation des Racks müssen die Anweisungen des Rack-Herstellers beachtet werden.

Gehen Sie bei der Installation von Geräten im Rack immer von unten nach oben vor, und bauen Sie das schwerste Gerät an der untersten Position im Rack ein.

Ziehen Sie jeweils immer nur ein Gerät aus dem Rack heraus.

Sie müssen für die gesamte Rack-Einheit einen Netztrennschalter einrichten. Dieser Netztrennschalter muß leicht zugänglich sein und über eine Kennzeichnung verfügen, die besagt, daß er die Stromzufuhr zur gesamten Einheit steuert und nicht nur zu den Servern.

Zur Vermeidung von Stromschlaggefahr müssen das Rack selbst und alle darin eingebauten Geräte ordnungsgemäß geerdet sein.

Elektrostatische Entladungen (ESD)

Vorsicht: *Elektrostatische Entladungen können zur Beschädigung von Festplatten, Platinen und anderen Komponenten führen. Daher sollten Sie alle Arbeiten an einer ESD-Workstation ausführen. Steht ein solcher Arbeitsplatz nicht zur Verfügung, erzielen Sie einen gewissen Schutz vor elektrostatischen Entladungen durch Tragen einer Antistatik-Manschette, die Sie während der Arbeit zur Erdung an einem beliebigen unlackierten Metallteil des Computergehäuses befestigen.*

Gehen Sie bei der Handhabung von Platinen immer mit größter Vorsicht vor. Sie können äußerst empfindlich gegenüber elektrostatischer Entladung sein. Halten Sie Platinen nur an den Kanten fest. Legen Sie die Platinen nach dem Auspacken aus der Schutzhülle oder nach dem Ausbau aus dem Server mit der Bauelementseite nach oben auf eine geerdete, statisch entladene Unterlage. Verwenden Sie dazu, sofern verfügbar, eine leitfähige Schaumstoffunterlage, aber nicht die Schutzhülle der Platine. Ziehen Sie die Platine nicht über eine Fläche.

Andere Gefahren

Batterieaustausch

Vorsicht: Wird die Batterie unsachgemäß ausgetauscht, besteht Explosionsgefahr. Verwenden Sie als Ersatz nur die vom Gerätehersteller empfohlene Batterie.

Beachten Sie bei der Entsorgung von Batterien die gültigen Bestimmungen.

Versuchen Sie nicht, eine Batterie aufzuladen.

Versuchen Sie nicht, eine Batterie zu öffnen oder sonstwie zu beschädigen.

Kühlung und Luftstrom

Vorsicht: Verlegen Sie Kabel sorgfältig entsprechend der Anleitung, um Störungen des Luftstroms und Kühlungsprobleme zu vermeiden.

Zur Gewährleistung des ordnungsgemäßen Kühlungs- und Luftstromverhaltens darf das System nur mit angebrachten Gehäuseabdeckungen betrieben werden. Die Inbetriebnahme des Systems ohne Abdeckung kann zur Beschädigung von Systemkomponenten führen. So bringen Sie die Abdeckung wieder an:

- Vergewissern Sie sich zunächst, daß Sie keine Werkzeuge oder Teile im Gehäuse vergessen haben.
- Prüfen Sie, ob Kabel, Erweiterungskarten sowie weitere Komponenten ordnungsgemäß angebracht sind.
- Befestigen Sie die Abdeckungen am Gehäuse des Produkts, wie in dessen Anleitung beschrieben.

Laser-Peripheriegeräte oder -Komponenten

Vorsicht: Beachten Sie zur Vermeidung von Strahlung und Verletzungen die folgenden Hinweise:

- Öffnen Sie keinesfalls das Gehäuse von Laser-Peripheriegeräten oder Laser-Komponenten.
- Laser-Peripheriegeräte oder -Komponenten besitzen keine für den Benutzer wartungsbedürftigen Teile.
- Schicken Sie das Gerät für Wartungsarbeiten an den Hersteller zurück.

Français

Consignes de sécurité sur le serveur

Ce document s'applique aux cartes serveur Intel®, au châssis de serveur Intel® (sur pieds et sur rack) et aux périphériques installés. Pour réduire les risques de dommages corporels, d'électrocution, d'incendie et de dommages matériels, lisez ce document et respectez tous les avertissements et précautions mentionnés dans ce guide avant d'installer ou de mettre à jour votre produit serveur Intel®.







En cas de conflit entre les informations fournies dans ce document et celles livrées avec le produit ou publiées sur le site Web pour un produit particulier, la documentation du produit prime.

Votre serveur doit être intégré et entretenu uniquement par des techniciens qualifiés.

Vous devez suivre les informations de ce guide et les instructions d'assemblage des manuels de serveur pour vérifier et maintenir la conformité avec les certifications et approbations de produit existantes. Utilisez uniquement les composants décrits et réglementés spécifiés dans ce guide. L'utilisation d'autres produits/composants annulera la liste UL et les autres approbations réglementaires du produit, et le produit peut ne pas être conforme aux autres lois et réglementations locales applicables au produit.

Sécurité: avertissements et mises en garde

Pour éviter de vous blesser ou d'endommager votre équipement, lisez et respectez toutes les informations et consignes de sécurité avant de commencer l'installation du produit. Les symboles de sécurité suivants peuvent être utilisés tout au long de cette documentation et peuvent figurer sur le produit ou sur son emballage.

ATTENTION	Indique la présence d'un risque pouvant entraîner des blessures physiques mineures ou endommager légèrement le matériel si la mise en garde n'est pas prise en compte.
AVERTISSEMENT	Indique la présence d'un risque pouvant entraîner des blessures corporelles graves si l'avertissement n'est pas pris en compte.
	Indique un risque potentiel si les informations signalées ne sont pas prises en compte.
	Indique des risques d'électrocution pouvant entraîner des blessures corporelles graves ou mortelles si les consignes de sécurité ne sont pas respectées.
	Signale des composants ou des surfaces soumis à des températures élevées.
	Indique de ne pas toucher aux pales de ventilateur, car cela peut entraîner des blessures.
	Indique de débrancher tous les cordons d'alimentation secteur pour déconnecter l'alimentation.
	Veuillez réutiliser la batterie

Domaines d'utilisation prévus

Ce produit a été testé comme équipement informatique (ITE) et peut être installé dans des bureaux, des écoles, des salles informatiques et des endroits commerciaux similaires. L'utilisation du présent produit dans des catégories et environnements de produits et domaines d'application (par exemple, le domaine médical, industriel, résidentiel, les systèmes d'alarme et les appareils de contrôle) autres qu'ITE doit faire l'objet d'évaluations supplémentaires.

Sélection d'un emplacement

Le système est conçu pour fonctionner dans un environnement standard de bureau. Choisissez un emplacement respectant les conditions suivantes :

- Propre, sec et exempt de particules en suspension (autres que la poussière normale d'une pièce).
- Bien ventilé et à l'écart des sources de chaleur telles que la lumière directe du soleil et les radiateurs.
- À l'écart des sources de vibration ou des chocs physiques.
- Isolé des champs électromagnétiques importants produits par des appareils électriques.
- Dans les régions sujettes aux orages magnétiques, nous vous recommandons de brancher votre système à un suppresseur de surtension et de déconnecter les lignes de télécommunication de votre modem pendant les orages.
- Équipé d'une prise murale reliée à la terre.
- Équipé d'un espace suffisant pour accéder aux cordons d'alimentation secteur, car ils servent de disjoncteur principal d'alimentation du produit.

Pratiques de manipulation de l'équipement

Réduisez le risque de dommages personnels ou matériels :

- Conformez-vous aux exigences de médecine du travail et de sécurité lorsque vous déplacez et soulevez le matériel.
- Utilisez l'assistance mécanique ou toute autre assistance appropriée lorsque vous déplacez et soulevez le matériel.
- Pour réduire le poids en vue de faciliter la manipulation, retirez tout composant amovible.

Alimentation et avertissements en matière d'électricité

Attention: Le bouton d'alimentation, indiqué par le symbole de mise en veille, NE COUPE PAS complètement l'alimentation secteur du système car le courant de veille 5 V reste actif lorsque le système est sous tension. Pour couper l'alimentation du système, vous devez débrancher le cordon d'alimentation secteur de la prise murale. Votre système peut utiliser plusieurs cordons d'alimentation secteur. Assurez-vous que tous les cordons d'alimentation sont débranchés. Vous devez les débrancher avant d'ouvrir le châssis, d'ajouter ou de supprimer un composant non connectable à chaud.

Les alimentations de certains serveurs Intel sont munies de doubles fusibles pôle/neutre: veuillez observer les précautions d'usage afin d'éviter tout risque d'électrocution.

N'essayez pas de modifier ou d'utiliser un cordon d'alimentation secteur s'il ne s'agit pas du type exact requis. Un cordon secteur est requis pour chaque alimentation système.

Le bloc d'alimentation de ce produit ne contient aucun composant réparable par l'utilisateur. N'ouvrez pas le bloc d'alimentation. L'intérieur de celui-ci est soumis à des niveaux dangereux de tension, de courant et d'énergie. Renvoyez-le au fabricant en cas de problème.

Lorsque vous remplacez un bloc d'alimentation à chaud, débranchez le cordon du bloc d'alimentation en cours de remplacement avant de le retirer du serveur.

Pour éviter tout risque d'électrocution, mettez le système hors tension et débranchez les cordons d'alimentation ainsi que les systèmes de télécommunication, réseaux et modems reliés au système avant d'ouvrir ce dernier.

Avertissements sur le cordon d'alimentation

Si aucun cordon d'alimentation secteur n'a été fourni avec votre produit, vous devez vous en procurer un qui soit approuvé pour une utilisation dans votre pays.

Attention: Pour éviter tout risque d'électrocution ou d'incendie, vérifiez les cordons d'alimentation qui seront utilisés avec le produit comme suit:

- N'essayez pas d'utiliser ou de modifier les cordons d'alimentation en CA s'ils ne correspondent pas exactement au type requis pour les prises électriques reliées à la terre.
- Les cordons d'alimentation doivent répondre aux critères suivants :
- Le cordon d'alimentation doit supporter une intensité supérieure à celle indiquée sur le produit.
- Le cordon d'alimentation doit posséder une broche ou un contact de mise à la terre approprié à la prise électrique.
- Les cordons d'alimentation électrique représentent le principal dispositif de déconnexion raccordé à l'alimentation secteur. Les prises de courant doivent se trouver à proximité de l'équipement et être facilement accessibles pour une déconnexion.
- Les cordons d'alimentation doivent être branchés sur des prises électriques correctement reliées à la terre.

Avertissements sur l'accès au système

Attention: Pour éviter de vous blesser ou d'endommager votre équipement, les consignes de sécurité suivantes s'appliquent chaque fois que vous accédez à l'intérieur du produit:

- Mettez hors tension tous les périphériques connectés à ce produit.
- Éteignez le système en appuyant sur le bouton d'alimentation.
- Déconnectez l'alimentation secteur en débranchant tous les cordons d'alimentation secteur du système ou de la prise murale.
- Déconnectez l'ensemble des câbles et lignes de télécommunication qui sont connectés au système.
- Mettez toutes les vis ou autres attaches de côté lorsque vous retirez les panneaux d'accès. Une fois que vous avez terminé d'accéder à l'intérieur du produit, refixez le panneau d'accès avec les vis ou attaches d'origine.
- N'essayez pas d'accéder à l'intérieur du bloc d'alimentation. Il ne contient aucune pièce réparable. Renvoyez-le au fabricant en cas de problème.
- Mettez le serveur hors tension et débranchez tous les cordons d'alimentation avant d'ajouter ou de remplacer tout composant non connectable à chaud.
- Lorsque vous remplacez le bloc d'alimentation à chaud, débranchez le cordon du bloc d'alimentation en cours de remplacement avant de retirer le bloc du serveur.

Attention: Si le serveur a été utilisé, les processeurs et dissipateurs de chaleur installés peuvent être chauds. À moins que vous n'ajoutiez ou ne retiriez un composant connectable à chaud, laissez le système refroidir avant d'ouvrir les panneaux. Pour éviter tout risque d'entrer en contact avec un composant chaud lors d'une installation à chaud, prenez toutes les précautions nécessaires lorsque vous retirez ou installez des composants connectables à chaud.

Attention: Pour éviter de vous blesser, ne touchez pas les pales de ventilateur en mouvement. Si votre système est fourni avec une protection sur le ventilateur, ne mettez pas le système en route sans la protection en place.

Avertissements sur le montage en rack

Le rack doit être fixé à un support inamovible pour éviter qu'il ne bascule lors de l'extension d'un serveur ou d'un élément de l'équipement. Le rack doit être installé conformément aux instructions du fabricant.

Installez les équipements dans le rack en partant du bas, en plaçant le plus lourd en bas du rack.

N'étendez qu'un seul élément de l'équipement à partir du rack à la fois.

Vous êtes responsable de l'installation d'un disjoncteur principal d'alimentation pour la totalité du rack. Ce disjoncteur principal doit être rapidement accessible et doit être étiqueté comme contrôlant toute l'unité, et pas uniquement le ou les serveurs.

Pour éviter tout risque d'électrocution, le rack et chaque élément de l'équipement installé dans le rack doivent être correctement reliés à la terre.

Décharges électrostatiques (ESD)

Attention: *Les décharges électrostatiques (ESD) peuvent endommager les lecteurs de disque dur, les cartes et d'autres pièces. Il est fortement conseillé d'effectuer l'ensemble des procédures décrites à un poste de travail protégé contre les ESD. Au cas où aucun poste de ce type ne serait disponible, protégez-vous contre les ESD en portant un bracelet antistatique relié à la masse du châssis (n'importe quelle surface métallique non peinte) de votre serveur lorsque que vous manipulez les pièces.*

Manipulez toujours les cartes avec précaution. Elles peuvent être extrêmement sensibles aux ESD. Ne tenez les cartes que par leurs bords. Après avoir retiré une carte de son emballage de protection ou du serveur, placez-la sur une surface reliée à la terre, exempte de charge statique, composants orientés vers le haut. Utilisez si possible un tapis de mousse conducteur, mais pas l'emballage de la carte. Veillez à ce que la carte ne glisse sur aucune surface.

Autres risques

Remplacement de la pile

Attention: Il existe un risque d'explosion si la pile n'est pas correctement remplacée. Lors du remplacement de la pile, utilisez uniquement celle recommandée par le fabricant du matériel.

Mettez la pile au rebut en vous conformant aux réglementations locales.

N'essayez pas de recharger une pile.

N'essayez pas de démonter, de percer ou d'endommager la pile d'une quelconque façon.

Refroidissement et ventilation

Attention: Routez les câbles avec précaution comme indiqué pour minimiser les blocages de circulation d'air et les problèmes de refroidissement.

Afin de permettre une ventilation et un refroidissement corrects, ne mettez le système en marche que lorsque les panneaux du châssis sont en place. L'utilisation du système sans les panneaux peut endommager les composants système. Pour installer les panneaux :

- Vérifiez tout d'abord que vous n'avez pas oublié d'outils ou de composants détachés à l'intérieur du système.
- Vérifiez que les câbles, les cartes d'extension et les autres composants sont correctement installés.
- Fixez les panneaux au châssis en suivant les instructions du produit.

Périphériques laser

Attention: Pour éviter tout risque d'exposition aux rayonnements et/ou de dommage personnel:

- N'ouvrez pas l'enceinte d'un périphérique laser.
- Les périphériques laser ne sont pas réparables par l'utilisateur.
- Retournez-les au fabricant en cas de problème.

Español

Información de seguridad del servidor

Este documento se aplica a las tarjetas de servidor de Intel[®], los gabinetes de servidor de Intel[®] (montaje en rack y en pedestal) y los dispositivos periféricos. Para reducir el riesgo de daños corporales, descargas eléctricas, fuego y en el equipo, lea este documento y preste atención a todas las advertencias y precauciones de esta guía antes de instalar o mantener el producto de servidor de Intel[®].







En el caso de que haya diferencias entre la información para un producto en particular contenida en este documento y la información proporcionada con dicho producto o en el sitio Web, la documentación del producto es la que prevalece.

Sólo personal técnico calificado debe montar y prestar los servicios para el servidor.

Debe ceñirse a las directrices de esta guía y a las instrucciones de montaje de los manuales del servidor para asegurar y mantener el cumplimiento con las certificaciones y homologaciones existentes de los productos. Utilice sólo los componentes descritos y homologados que se especifican en esta guía. El uso de otros productos o componentes anulará la homologación UL y otras certificaciones oficiales del producto, pudiendo dejar de ser compatible con las normativas locales de los países en los que se comercializa.

Advertencias y precauciones sobre seguridad

Para reducir la posibilidad de que se produzcan lesiones personales o daños en la propiedad, antes de empezar a instalar el producto, lea, observe y cumpla toda la información e instrucciones de seguridad siguientes. Puede que se utilicen los siguientes símbolos de seguridad en la documentación y es posible que aparezcan en el producto o en su embalaje.

PRECAUCIÓN	Indica la existencia de un riesgo que podría causar lesiones personales o daños en la propiedad leves si no se tiene en cuenta la PRECAUCIÓN.
ADVERTENCIA	Indica la existencia de un riesgo que podría causar lesiones personales graves si no se tiene en cuenta la ADVERTENCIA.
	Indica un riesgo potencial si no se tiene en cuenta la información indicada.
	Indica riesgo de descargas eléctricas que podrían causar lesiones graves o la muerte si no se siguen las instrucciones de seguridad.
	Indica componentes o superficies calientes.
	Indica que no se deben tocar las aspas de los ventiladores, ya que de lo contrario se podrían producir lesiones.
	Indica que es necesario desenchufar los cables de alimentación de CA para desconectar la alimentación de CA
	Recicle por favor la batería

Aplicaciones y usos previstos

Este producto ha sido evaluado como equipo de tecnología informática (ITE) que puede instalarse en oficinas, escuelas, salas de equipos informáticos o lugares de ámbito comercial similares. Es posible que sea necesario llevar a cabo una evaluación adicional para comprobar si este producto es apropiado para otras categorías de productos y entornos además de las aplicaciones informáticas (por ejemplo, soluciones médicas, industriales, residenciales, sistemas de alarma y equipos de pruebas).

Selección de la ubicación

El sistema se ha diseñado para funcionar en un entorno normal de oficinas. Seleccione una ubicación que esté:

- Limpia, seca y libre de macropartículas en suspensión en el aire (que no sean el polvo habitual de la habitación).
- Bien ventilada y alejada de fuentes de calor, incluida la luz solar directa y los radiadores.
- Alejada de fuentes de vibración o de golpes físicos.
- Aislada de campos electromagnéticos producidos por dispositivos eléctricos.
- En zonas propensas a tormentas eléctricas, se recomienda que conecte el servidor a un supresor de sobretensiones y desconecte las líneas de telecomunicaciones al módem durante una tormenta eléctrica.
- Provista de una toma de corriente alterna correctamente conectada a tierra.
- Provista de espacio suficiente para acceder a los cables de la fuente de alimentación ya que constituyen la desconexión principal de la alimentación.

Manipulación del equipo

Reduzca el riesgo de daños personales o en el equipo:

- Respete los requisitos de sanidad y seguridad laborales de su país cuando traslade y levante el equipo.
- Utilice medios mecánicos u otros que sean adecuados al trasladar o levantar el equipo.
- Para que el peso sea menor para manipularlo con más facilidad, extraiga los componentes que sean de fácil extracción.

Advertencias de alimentación y eléctricas

Precaución: El botón de encendido, indicado con la marca del modo de reposo o stand-by, NO DESCONECTA completamente la alimentación de CA del sistema, ya que el modo de reposo de 5 V sigue activo mientras el sistema está enchufado. Para desconectar el sistema debe desenchufar el cable de alimentación de CA de la toma de la pared. Puede usar más de un cable de alimentación de CA con el sistema. Asegúrese de que todos los cables de alimentación de CA estén desenchufados. Asegúrese de que los cables de alimentación de CA estén desenchufado antes de abrir el gabinete, agregar o extraer cualquier componente que no es de conexión en funcionamiento.

Algunas fuentes de alimentación de electricidad de los servidores de Intel utilizan el polo neutral del fuselaje. Para evitar riesgos de choques eléctricos use precauciones al trabajar con las fuentes de alimentación que utilizan el polo neutral de fuselaje.

No intente modificar ni utilizar un cable de alimentación de CA si no es del tipo exacto requerido. Se necesita un cable de CA para cada fuente de alimentación del sistema.

La fuente de alimentación de este producto no contiene piezas que puedan ser reparadas por el usuario. No abra la fuente de alimentación. Dentro de la fuente de alimentación puede haber niveles de tensión, corriente y energía peligrosos. Devuélvala al fabricante para repararla.

Al reemplazar una fuente de alimentación de conexión en funcionamiento, desenchufe el cable de alimentación de la fuente de alimentación que va a reemplazar antes de extraerla del servidor.

Para evitar el riesgo de descargas eléctricas, antes de abrir el servidor, apáguelo, desconecte el cable de alimentación, los sistemas de telecomunicaciones, las redes y los módems conectados al mismo.

Advertencias sobre el cable de alimentación

Si no se ha proporcionado con el producto ningún cable de alimentación de CA, adquiera alguno cuyo uso esté aprobado en su país.

Precaución: Para evitar descargas eléctricas o fuego, revise los cables de alimentación que usará con el producto tal y como se describe a continuación:

- No intente modificar ni utilizar los cables de alimentación de CA si no son exactamente del modelo especificado para ajustarse a las tomas de corriente conectadas a tierra
- Los cables de alimentación deben reunir los siguientes requisitos:
- El cable de alimentación debe disponer de una capacidad nominal de corriente eléctrica mayor que la capacidad especificada en el producto.
- El cable de alimentación debe disponer de una patilla o contacto de conexión a tierra que sea apto para la toma de corriente.
- Los cables de la fuente de alimentación son los dispositivos de desconexión principales a la corriente alterna. El enchufe o enchufes de zócalo deben encontrarse cerca del equipo y el acceso a ellos debe poderse efectuar de forma inmediata con el fin de desconectarlos.

- Los cables de la fuente de alimentación deben estar conectados a los enchufes con una toma de tierra adecuada.

Advertencias el acceso al sistema

Precaución: Para evitar lesiones personales o daños en la propiedad, se aplican las siguientes instrucciones de seguridad siempre que se acceda al interior del producto:

- Apague todos los dispositivos periféricos conectados a este producto.
- Pulse el botón de alimentación para apagar el sistema.
- Desconecte la alimentación de CA desenchufando los cables de alimentación de CA del sistema o de la toma de corriente alterna.
- Desconecte todos los cables y líneas de telecomunicación que estén conectados al sistema.
- Guarde todos los tornillos o elementos de fijación cuando retire las cubiertas de acceso. Cuando termine de operar en el interior del producto, vuelva a colocar los tornillos o los elementos de fijación originales de la cubierta de acceso.
- No acceda al interior de la fuente de alimentación. No hay elementos en la fuente de alimentación que usted pueda reparar y utilizar. Devuélvala al fabricante para repararla.
- Apague el servidor y desconecte todos los cables de alimentación antes de agregar o reemplazar cualquier componente que no es de conexión en funcionamiento.
- Al reemplazar una fuente de alimentación de conexión en funcionamiento, desenchufe el cable de alimentación de la fuente de alimentación que va a reemplazar antes de extraerla del servidor.

Precaución: Si el servidor se ha estado ejecutando, los procesadores y disipadores de calor estarán recalentados. A no ser que esté instalando o extrayendo un componente de conexión en funcionamiento, deje que el sistema se enfríe antes de abrir las cubiertas. Para que no llegue a tocar los componentes que estén calientes cuando esté realizando una instalación de conexión en funcionamiento, tenga cuidado al extraer o instalar los componentes de conexión en funcionamiento.

Precaución: Para evitar posibles daños, no toque las aspas en movimiento de los ventiladores. Si el sistema se le ha suministrado con una protección para el ventilador, asegúrese de que cuando esté funcionando el sistema la protección esté en su sitio.

Advertencias sobre el montaje en rack

El rack para el equipo se debe sujetar con un soporte fijo para evitar que se caiga cuando se extraiga un servidor o una pieza del mismo. El rack debe instalarse siguiendo las instrucciones del fabricante del bastidor.

Instale el equipo en el rack comenzando desde la parte de abajo, con el equipo más pesado en la parte inferior del rack.

Extraiga las piezas del equipo del rack de una a una.

El usuario es el responsable de la instalación de un dispositivo de desconexión de la alimentación principal para toda la unidad del rack. El acceso a este dispositivo de desconexión deberá ser de fácil acceso y deberán incluirse indicaciones que lo identifiquen como el control de alimentación eléctrica de toda la unidad, no sólo de los servidores.

Para evitar el riesgo de descargas eléctricas, deberá instalar una conexión a tierra apropiada para el rack y para cada pieza del equipo instalada en el mismo.

Descarga electrostática (ESD)

Precaución: *Las descargas electrostáticas pueden dañar las unidades de disco, las tarjetas y otros componentes. Recomendamos que realice todos los procedimientos en una estación de trabajo protegida contra descargas electrostáticas. En caso de que no haya una disponible, protéjase de alguna forma contra las descargas llevando un brazalete antiestático conectado a la toma de tierra de la carcasa (cualquier superficie de metal que no esté pintada) del servidor cuando manipule las piezas.*

Manipule siempre las tarjetas con el máximo cuidado. Pueden ser sumamente sensibles a las descargas electrostáticas. Sujételas sólo por los bordes. Una vez extraída la tarjeta de su envoltorio de protección o del servidor, colóquela con el lado de los componentes hacia arriba sobre una superficie con toma de tierra y sin carga estática. Utilice una almohadilla de espuma conductora si dispone de ella, pero nunca el envoltorio de la tarjeta. No deslice la tarjeta sobre ninguna superficie.

Sustitución de la batería

Precaución: Existe el peligro de explosión si la batería no se reemplaza correctamente. Al reemplazar la batería, utilice sólo la batería recomendada por el fabricante del equipo.

Deseche las baterías respetando la normativa local.

No intente recargar la batería.

No intente desmontar, pinchar o causar cualquier otro desperfecto a una batería.

Enfriamiento y circulación de aire

Precaución: El tendido de los cables debe realizarse cuidadosamente tal y como se le indica para reducir al mínimo los problemas de obstrucción de la ventilación y de refrigeración.

Para conseguir una refrigeración y corriente de aire adecuadas, compruebe que cuando sistema esté funcionando, las cubiertas de la carcasa están instaladas. Si utiliza el sistema sin las cubiertas, podría dañar sus componentes. Para instalar las cubiertas:

- *Compruebe primero que no ha dejado herramientas o piezas sueltas dentro del sistema.*
- *Compruebe que los cables, tarjetas adicionales y otros componentes están instalados correctamente.*
- *Sujete las cubiertas a la carcasa siguiendo las instrucciones del producto.*

Periféricos o dispositivos láser

Precaución: Para evitar el riesgo de la exposición a radiaciones o de daños personales:

- *No abra la caja de ningún periférico o dispositivo láser*
- *Los periféricos o dispositivos láser no pueden ser reparados por el usuario*
- *Haga que el fabricante los repare.*

简体中文

服务器安全信息

本文档适用于 Intel® 服务器主板、Intel® 服务器机箱（基座和机架固定件）和已安装的外设。为减少人身伤害、电击、火灾以及设备损坏的危险，请在安装或维护 Intel® 服务器产品之前阅读本文档并遵循本指南中的所有警告和预防措施。






如果本文档中的信息与特定产品的随附信息或 Web 站点信息之间存在不一致，请以产品文档为准。

服务器须由合格的技术人员进行集成和维护。

必须遵守本指南的规定和服务器手册的装配指导，以确保符合现有的产品认证和审批。仅使用本指南中描述和规定的指定组件。使用其他产品 / 组件将使产品的 UL 认证和其他管理审批无效，并可能导致产品不符合销售地的产品法规。

安全警告与注意事项

为避免人身伤害与财产损失，安装本产品之前，请阅读以下所有安全指导和信息。下面所列的安全符号可能在整个文档中使用并可能标注于产品和 / 或产品包装之上。

注意	表示如果无视此“ ??? 项” ??????? 轻微人身伤害或财产损失的危险。
警告	表示如果无视此“ ?? ” ??????? 严重人身伤害的危险。
	表示如果无视所示信息，即存在潜在的危险。
	表示如果不遵守安全指导，存在可导致严重伤害或死亡的电击危险。
	表示灼热组件或表面。
	表示请勿触摸风机叶片，否则可能致伤。
	表示拔下所有交流电线，断开交流电源

预期应用使用

根据评估，本产品为信息技术设备 (ITE)，可安装在办公室、学校、计算机房和类似的商业场所。本产品对于非 ITE 应用的其他产品种类和环境（如医疗、工业、住宅、报警系统和测试设备）的适用性尚有待进一步的评估。

场地选择

本系统专为在典型办公环境运行而设计。请选择符合以下条件的地点：

- 清洁、干燥，无气载微粒（而非一般的室内尘埃）。
- 通风良好，远离热源（包括直接日晒和散热器）。
- 远离振动源或物理震动。
- 与电气设备产生的强大电磁场隔离。
- 在易受闪电袭击的地区，我们建议将系统插入电涌抑制器并在闪电期间断开通信线路与调制解调器之间的连接。
- 提供正确接地的墙壁插座。
- 提供足够的空间，以便拿取电源供应线，因为这是本产品的主要电源断开器。

设备操作规范

减少人身伤害或设备受损的危险：

- 移举设备时遵守当地的职业健康与安全要求。
- 借助机械手段或其他合适的手段移举设备。
- 拆除一切易分离组件，以降低重量并方便操作。

电源与电气警告

注意事项

电源按钮（如待机电源标记所示）并不能完全关闭系统的交流电源，只要系统已接通电源，就存在 5V

待机电源。要从系统切断电源，须从墙壁电源插座中拔下交流电线。您的系统可能不止使用一根交流电线。请确保所有的交流电线都已拔下。打开机箱或增加或删除任何热插拔组件之前，确保交流电线已拔下。

若非所需的确切类型，请勿尝试修改或使用交流电线。系统的每个电源供应设备都需要一根单独的交流电线。

本产品的电源供应设备包含非用户维修部件。请勿打开电源供应设备。电源供应设备包含非常危险的电压级、电流级和能量级。请与生产商联系维修事宜。

替换热插拔电源供应设备时，请先拔下需替换的电源供应设备上的电源线，再将其从服务器上移除。

为避免电击，请在打开服务器之前，关闭服务器并断开服务器上连接的电源线、电信系统、网络 and 调制解调器。

电源线警告

如果产品未提供交流电线，请购买一根您所在国家批准使用的交流电线。

注意事项

为避免电击或火灾危险，请按如下所述对产品所用的电源线进行检查：

- 若非所需的符合接地插座的确切类型，请勿尝试修改或使用交流电线
- 电源线须符合以下标准：
 - 电源线的电气额定值须大于产品上标注的电流额定值。
 - 电源线须拥有适合插座的安全接地插头或触点。
- 电源线为交流电源的主要断开设备。插座须靠近设备并可随时断开。
- 电源线须插入所提供的拥有合适接地的插座。

系统使用警告

注意事项

为避免人身伤害或财产损失，无论何时检查产品内部，以下安全指导都适用：

- 关闭所有与本产品相连的外设。
- 按下电源按钮至关闭状态，关闭系统。
- 从系统或墙壁插座上拔下所有交流电线，断开交流电源。
- 断开与系统相连的所有线缆和通信线路。
- 卸除舱口盖时，保留所有螺钉及其他紧固件。完成产品内部检查之后，请用螺钉或紧固件重新固定舱口盖。
- 请勿打开电源供应设备。电源供应设备内没有可维修部件。请与生产商联系维修事宜。
- 增加或替换任何非热插拔组件之前，请关闭服务器电源并断开所有电源线。
- 替换热插拔电源供应设备时，请先拔下需替换的电源供应设备上的电源线，然后再从服务器上移除电源供应设备。

注意事项

如果服务器一直在运行，任何已安装的处理器和吸热设备都可能很热。除非要增加或移除热插拔组件，否则请待系统冷却后再开盖。为避免在热插拔组件安装过程中接触灼热组件，移除或安装热插拔组件时务须小心。

注意事项

为避免受伤，请勿触摸运转的风机叶片。如果系统的风机上配有防护装置，请勿卸下风机防护装置运行系统。

机架固定件警告

设备的机架须固定在稳固的支座上，以防从中安装服务器或设备时倒塌。须按照机架生产商提供的安装说明进行安装。

从下往上将设备安装在机架上，最重的设备安装在机架的最底层。

一次只从机架上安装一件设备。

您须负责安装整个机架装置的主要电源断开设备。此主要断开设备须随时可用，且须标明为控制整个装置（而不仅限于服务器）的电源。

为避免潜在的电击危险，须对机架及其上所安装的每一件设备实行正确的安全接地。

静电放电 (ESD)

注意事项

ESD 会损坏磁盘驱动器、主板及其他部件。我们建议您执行 ESD 工作站的所有步骤。如果没有 ESD

工作站，则采取一些静电放电保护措施，操作部件时，戴上与服务器上的机箱接地或任何未喷漆金属表面连接的防静电腕带。

操作主板时始终保持小心。它们可能对 ESD

非常敏感。拿持主板时只接触边缘。从保护包装中或从服务器上取出主板后，请将主板组件侧面朝上放置于无静电的接地表面上。请使用导电泡沫垫（若有），不要使用主板包装。请勿将主板在任何表面上滑动。

其他危险

替换电池

注意事项

不正确替换电池可能导致爆炸危险。替换电池时，请只使用设备生产商推荐使用的电池。

请按当地法规处置电池。

请勿对电池充电。

请勿拆卸、刺穿或以其他方式损坏电池。

冷却和气流

注意事项

按照说明小心布置线缆，尽量减少气流阻塞和冷却问题。

为保证适当的冷却和气流，运行系统时请确保机箱盖已安装。未安装机箱盖即运行系统可能导致系统部件受损。安装机箱盖的步骤如下：

- 首先检查并确保系统内没有遗留的未固定工具或部件。
- 检查线缆、内插板和其他组件已正确安装。
- 按产品说明安装机箱盖。

激光外设或激光设备

注意事项

为避免幅射暴露和 / 或人身伤害：

- 请勿打开任何激光外设或激光设备的外壳
- 激光外设或激光设备为非用户维修设备

请与生产商联系维修事宜