

Fan Interposer Board Install Guide: Intel® Storage System SSR212MA

**A Guide for Technically Qualified Assemblers of Intel® Identified Subassemblies/
Products**

Intel Order Number: D23737-001



Disclaimer

Information in this document is provided in connection with Intel® products. No license, express or implied, by estoppel or otherwise, to any intellectual property rights is granted by this document. Except as provided in Intel's Terms and Conditions of Sale for such products, Intel assumes no liability whatsoever, and Intel disclaims any express or implied warranty, relating to sale and/or use of Intel® products including liability or warranties relating to fitness for a particular purpose, merchantability, or infringement of any patent, copyright or other intellectual property right. Intel products are not designed, intended or authorized for use in any medical, life saving, or life sustaining applications or for any other application in which the failure of the Intel product could create a situation where personal injury or death may occur. Intel may make changes to specifications and product descriptions at any time, without notice.

Intel® server boards contain a number of high-density VLSI and power delivery components that need adequate airflow for cooling. Intel's own chassis are designed and tested to meet the intended thermal requirements of these components when the fully integrated system is used together. It is the responsibility of the system integrator that chooses not to use Intel developed server building blocks to consult vendor datasheets and operating parameters to determine the amount of airflow required for their specific application and environmental conditions. Intel Corporation can not be held responsible if components fail or the server board does not operate correctly when used outside any of their published operating or non-operating limits.

Intel, Intel Pentium, and Intel Xeon are trademarks or registered trademarks of Intel Corporation or its subsidiaries in the United States and other countries.

* Other names and brands may be claimed as the property of others.

Copyright © 2005, Intel Corporation. All Rights Reserved

Safety Information

Important Safety Instructions

Read all caution and safety statements in this document before performing any of the instructions. See also Intel Server Boards and Server Chassis Safety Information on the *Intel® Server Deployment Toolkit CD* and/or at <http://support.intel.com/support/motherboards/server/sb/cs-010770.htm>.

Wichtige Sicherheitshinweise

Lesen Sie zunächst sämtliche Warnung und Sicherheitshinweise in diesem Dokument, bevor Sie eine der Anweisungen ausführen. Beachten Sie hierzu auch die Sicherheitshinweise zu Intel-Serverplatinen und Servergehäusen auf der *Intel® Server Deployment Toolkit CD* oder unter <http://support.intel.com/support/motherboards/server/sb/cs-010770.htm>.

Consignes de sécurité

Lisez attention toutes les consignes de sécurité et les mises en garde indiquées dans ce document avant de suivre toute instruction. Consultez Intel Server Boards and Server Chassis Safety Information sur le *Intel® Server Deployment Toolkit CD* ou bien rendez-vous sur le site <http://support.intel.com/support/motherboards/server/sb/cs-010770.htm>.

Instrucciones de seguridad importantes

Lea todas las declaraciones de seguridad y precaución de este documento antes de realizar cualquiera de las instrucciones. Vea Intel Server Boards and Server Chassis Safety Information en el *Intel® Server Deployment Toolkit CD* y/o en <http://support.intel.com/support/motherboards/server/sb/cs-010770.htm>.

重要安全指导

在执行任何指令之前，请阅读本文档中的所有注意事项及安全声明。和/或 <http://support.intel.com/support/motherboards/server/safecert.htm> 上的 *Intel Server Boards and Server Chassis Safety Information* (《Intel 服务器主板与服务器机箱安全信息》)。

Warnings

Heed safety instructions: Before working with your server product, whether you are using this guide or any other resource as a reference, pay close attention to the safety instructions. You must adhere to the assembly instructions in this guide to ensure and maintain compliance with existing product certifications and approvals. Use only the described, regulated components specified in this guide. Use of other products / components will void the UL listing and other regulatory approvals of the product and will most likely result in noncompliance with product regulations in the region(s) in which the product is sold.

System power on/off: The power button DOES NOT turn off the system AC power. To remove power from system, you must unplug the AC power cord from the wall outlet. Make sure the AC power cord is unplugged before you open the chassis, add, or remove any components.

Hazardous conditions, devices and cables: Hazardous electrical conditions may be present on power, telephone, and communication cables. Turn off the server and disconnect the power cord, telecommunications systems, networks, and modems attached to the server before opening it. Otherwise, personal injury or equipment damage can result.

Electrostatic discharge (ESD) and ESD protection: ESD can damage disk drives, boards, and other parts. We recommend that you perform all procedures in this chapter only at an ESD workstation. If one is not available, provide some ESD protection by wearing an antistatic wrist strap attached to chassis ground any unpainted metal surface on your server when handling parts.

ESD and handling boards: Always handle boards carefully. They can be extremely sensitive to ESD. Hold boards only by their edges. After removing a board from its protective wrapper or from the server, place the board component side up on a grounded, static free surface. Use a conductive foam pad if available but not the board wrapper. Do not slide board over any surface.

Installing or removing jumpers: A jumper is a small plastic encased conductor that slips over two jumper pins. Some jumpers have a small tab on top that you can grip with your fingertips or with a pair of fine needle nosed pliers. If your jumpers do not have such a tab, take care when using needle nosed pliers to remove or install a jumper; grip the narrow sides of the jumper with the pliers, never the wide sides. Gripping the wide sides can damage the contacts inside the jumper, causing intermittent problems with the function controlled by that jumper. Take care to grip with, but not squeeze, the pliers or other tool you use to remove a jumper, or you may bend or break the pins on the board.

Contents

Safety Information	iii
Important Safety Instructions	iii
Wichtige Sicherheitshinweise	iii
Consignes de sécurité	iii
Instrucciones de seguridad importantes	iii
Warnings.....	iv
Fan Interposer Board Install Guide	1
Tools Needed	1
Kit Contents	1
Fan Interposer Board Installation Instructions	1
Prepare System	1
Open Enclosure Cover	2
Remove Cooling Module	3
Install Replacement Fan Interposer Board	4
Re-install Cooling Module	8
Close Enclosure Cover	10
Complete Setup	10

List of Figures

Figure 1. Accessing Cooling Module.....	2
Figure 2. Unlatching Cooling Module from Chassis	3
Figure 3. Removing Cooling Module from Chassis	3
Figure 4. Disconnecting IPMB Cable from Fan Interposer Board	4
Figure 5. Removing Fan Interposer Board from Chassis	5
Figure 6. Securing Fan Interposer Board to Chassis	6
Figure 7. Connecting IPMB Cable to Fan Interposer Board.....	7
Figure 8. Opening Cooling Module Latches	8
Figure 9. Cooling Module with Latches in Open Position.....	8
Figure 10. Inserting Cooling Module into Chassis.....	9
Figure 11. Closing Latches on Cooling Module.....	9
Figure 12. Closing Enclosure Cover.....	10

Fan Interposer Board Install Guide

The Intel® Storage System SSR212MA ships with a fan interposer board that connects the fans to the backplane.

Tools Needed

- Flat-head #2 screwdriver

Kit Contents

Fan Interposer Board Kit (FXSIPOSER)

Item	Quantity
Fan Interposer Board	1
Fan Interposer Board Install Guide	1

Fan Interposer Board Installation Instructions

Prepare System

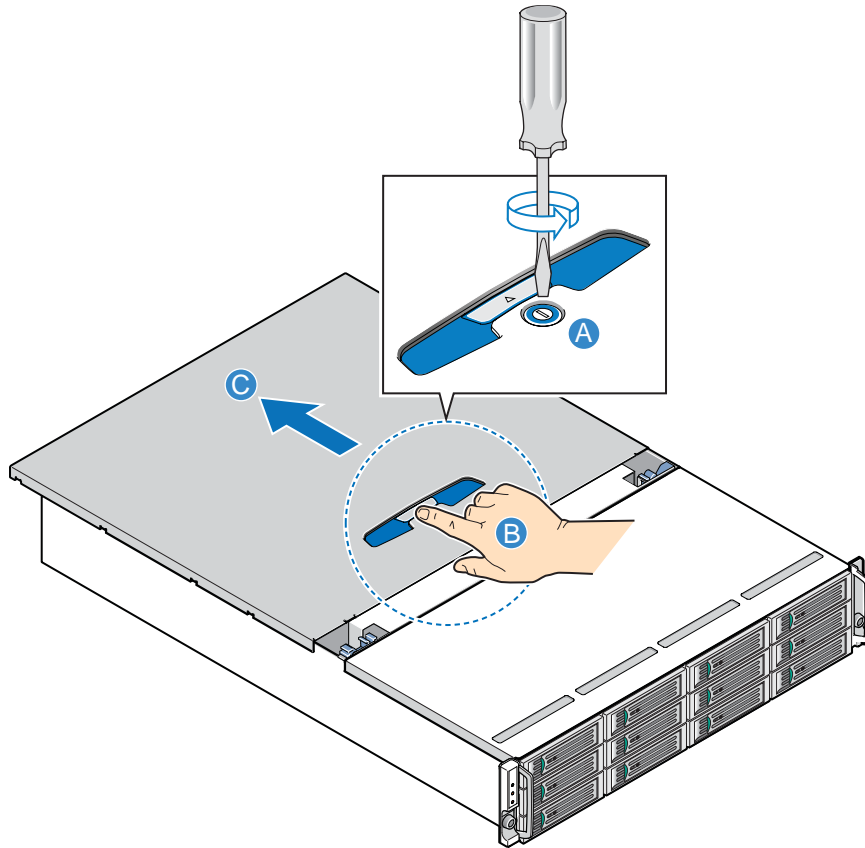
1. Read all caution and safety statements listed in this document before performing any of the steps. See the *Intel® Server Boards and Server Chassis Safety Information* document at <http://support.intel.com/support/motherboards/server/sb/cs-010770.htm> for a complete listing of all caution and safety statements.

Caution: *Before performing any maintenance on the system, back up the data. Follow the instructions in the Intel® Storage System SSR212MA Software User Guide for shutting down the system.*

2. Turn off all peripheral devices connected to the storage system. Turn off the storage system.
3. Disconnect the AC power cord(s).
4. Remove the fan interposer board from its protective packaging.

Open Enclosure Cover

5. Release the lock (see letter “A” in the following figure) by turning the screw until the open latch symbol aligns with the notch on the cover. Press in on the palm latch (see letter “B”) and slide the enclosure cover back (see letter “C”) until it stops (about two inches), revealing the mounting brackets for the cooling module.

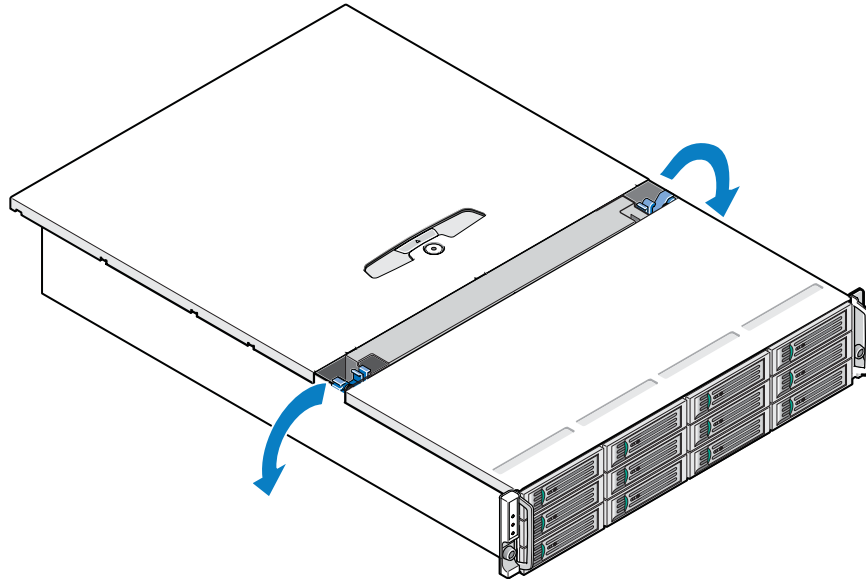


TP01851

Figure 1. Accessing Cooling Module

Remove Cooling Module

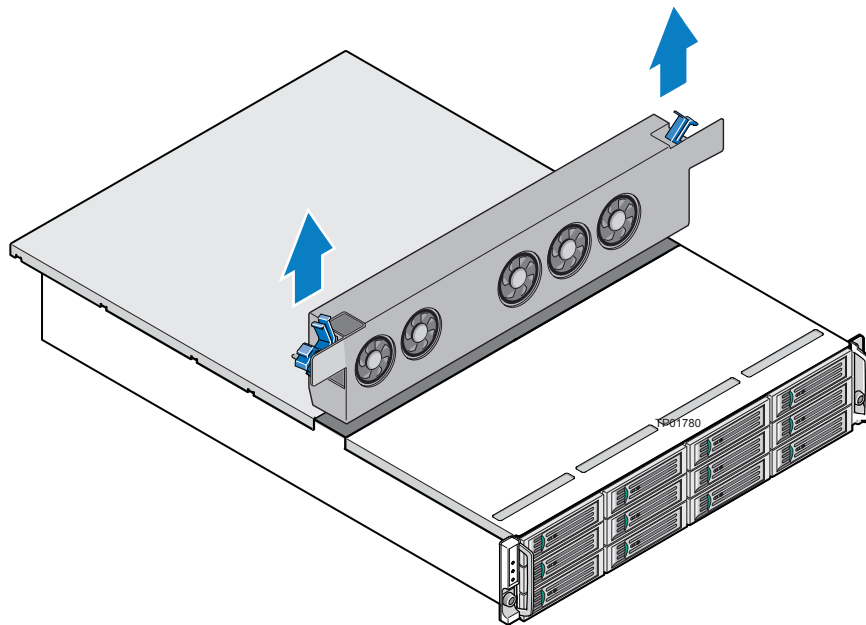
6. Rotate the two latches on the cooling module to the open position.



TP01860

Figure 2. Unlatching Cooling Module from Chassis

7. With the two latches in the open position, slide the cooling module out of the storage system.



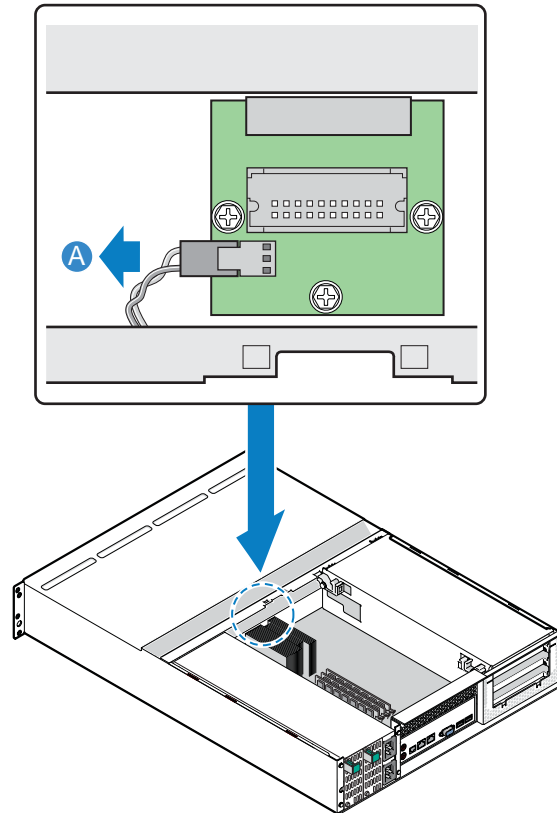
TP01780

TP01858

Figure 3. Removing Cooling Module from Chassis

Install Replacement Fan Interposer Board

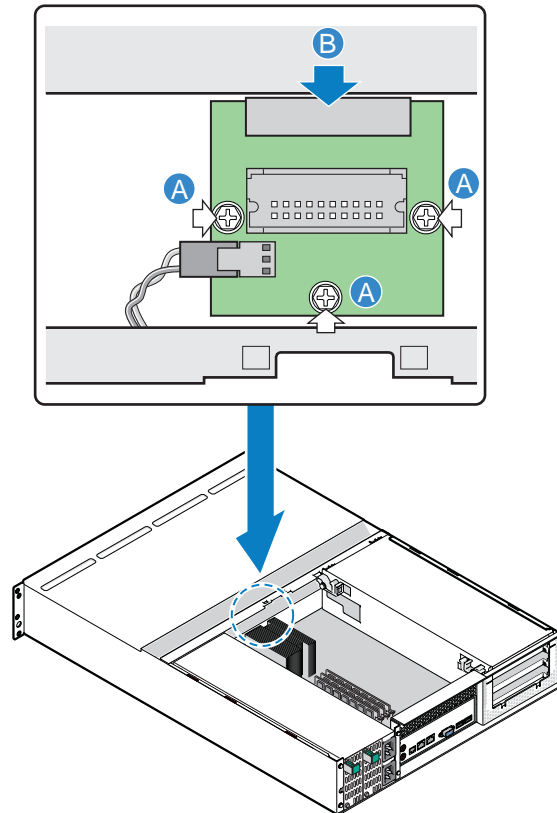
8. Disconnect the IPMB cable from the old fan interposer board (see letter “A” in the following figure).



TP01868

Figure 4. Disconnecting IPMB Cable from Fan Interposer Board

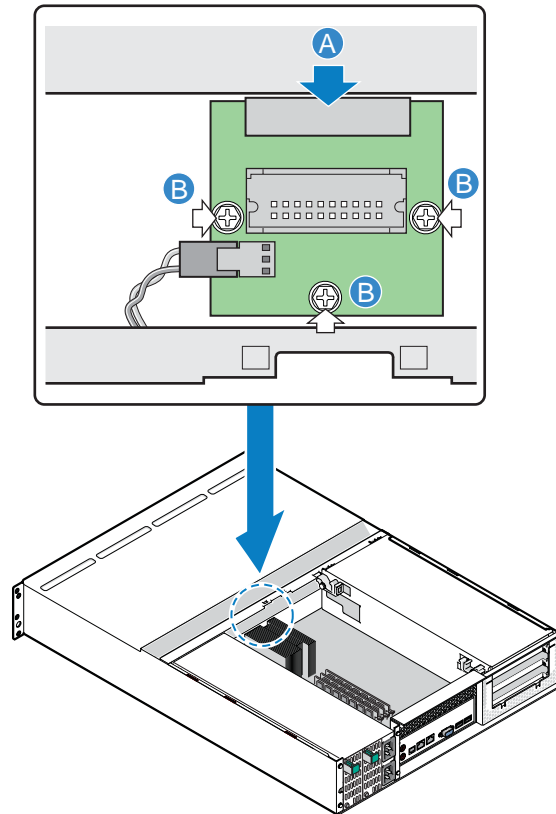
- Remove the three screws (see letter “A” in the following figure) securing the old fan interposer board to the chassis. The power cable bundle may have to be pushed aside slightly to expose the rear screw. Disconnect the old fan interposer board (see letter “B”) from its connector on the backplane.



TP02007

Figure 5. Removing Fan Interposer Board from Chassis

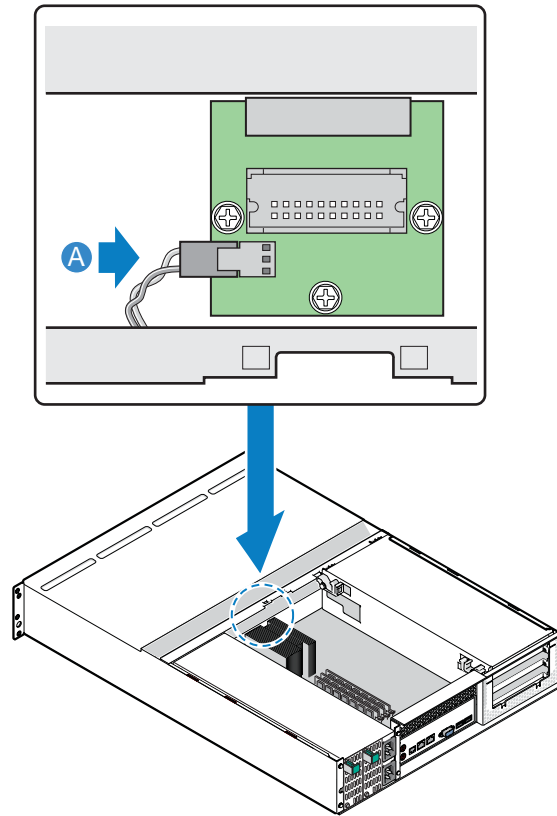
10. Connect the replacement fan interposer board to its connector on the backplane (see letter “A” in the following figure). Secure the replacement fan interposer board to the chassis with three screws (see letter “B”).



TP02009

Figure 6. Securing Fan Interposer Board to Chassis

11. Connect the IPMB cable to the replacement fan interposer board (see letter “A” in the following figure.)



TP02008

Figure 7. Connecting IPMB Cable to Fan Interposer Board

Re-install Cooling Module

12. Position the cooling module latches in the open position (see letter “A” in the following figure) on the cooling module.

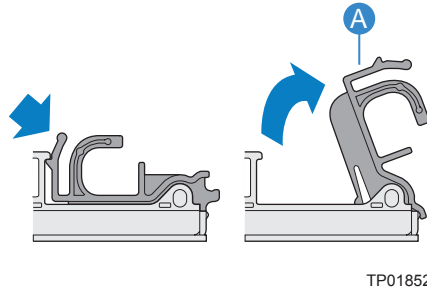


Figure 8. Opening Cooling Module Latches

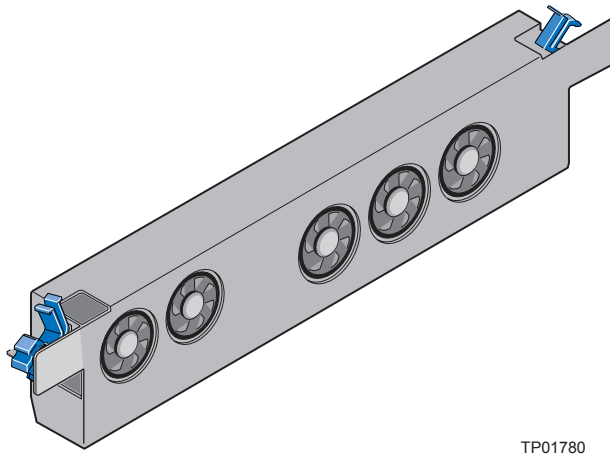
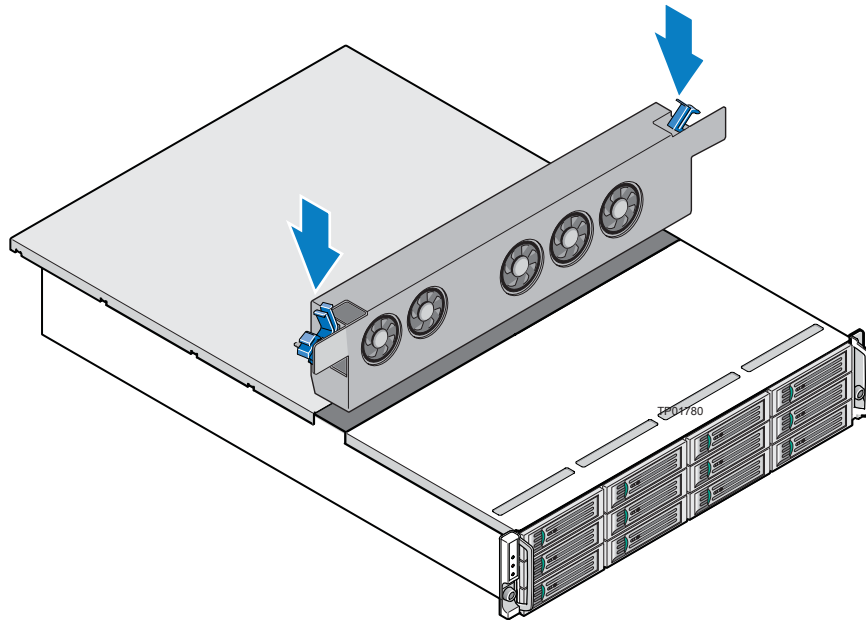


Figure 9. Cooling Module with Latches in Open Position

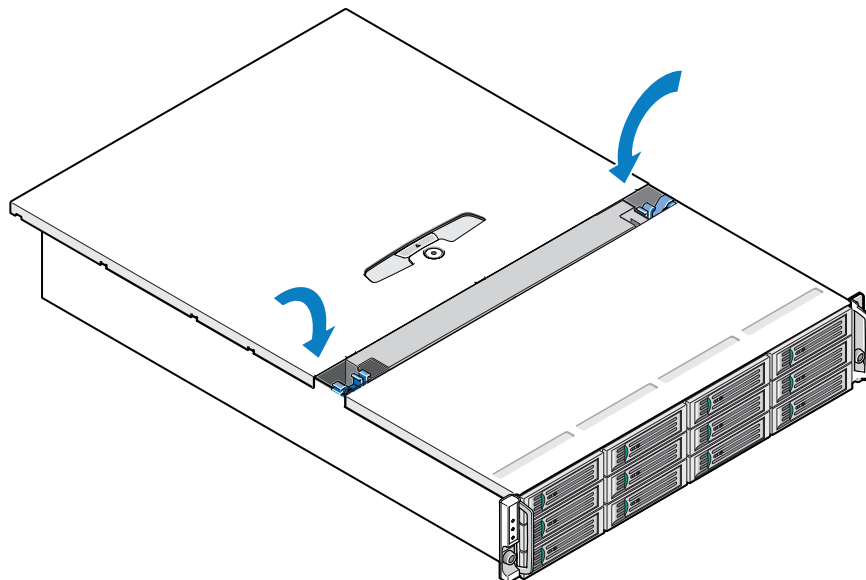
13. With the two latches in the open position, slide the cooling module into the storage system until the latches engage automatically.



TP01859

Figure 10. Inserting Cooling Module into Chassis

14. Cam the module home by manually closing the latches. A click should be heard as the latches engage.

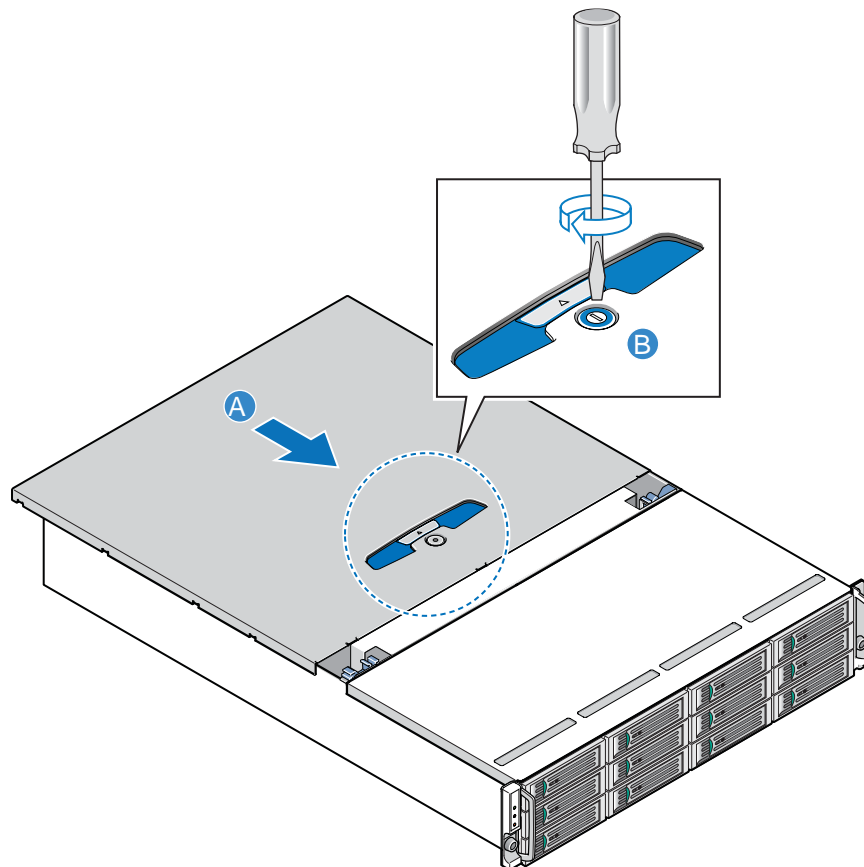


TP01861

Figure 11. Closing Latches on Cooling Module

Close Enclosure Cover

15. Close the enclosure cover by sliding it forward (see letter “A” in the following figure). Secure the enclosure cover to the chassis by tightening the lock with a screwdriver (see letter “B”) until the close latch symbol aligns with the notch on the cover.



TP01773

Figure 12. Closing Enclosure Cover

Complete Setup

16. Re-connect all peripheral devices and the AC power cable. Power up the storage system.