

Intel® Storage System SSR316MJ2 Front Panel Board (FMJFRTPANEL)

Installation Guide

Order Number: C75949-002



Disclaimer

Information in this document is provided in connection with Intel® products. No license, express or implied, by estoppel or otherwise, to any intellectual property rights is granted by this document. Except as provided in Intel's Terms and Conditions of Sale for such products, Intel assumes no liability whatsoever, and Intel disclaims any express or implied warranty, relating to sale and/or use of Intel products including liability or warranties relating to fitness for a particular purpose, merchantability, or infringement of any patent, copyright or other intellectual property right. Intel products are not designed, intended or authorized for use in any medical, life saving, or life sustaining applications or for any other application in which the failure of the Intel product could create a situation where personal injury or death may occur. Intel may make changes to specifications and product descriptions at any time, without notice.

Intel is a registered trademark of Intel Corporation or its subsidiaries in the United States and other countries.

* Other names and brands may be claimed as the property of others.

Copyright © 2004 - 2005 Intel Corporation. All Rights Reserved.

Important Safety Instructions

Important Safety Instructions

Read all caution and safety statements in this document before performing any of the instructions. See *Intel Server Boards and Server Chassis Safety Information* at <http://support.intel.com/support/motherboards/server/sb/CS-010770.htm>.

Wichtige Sicherheitshinweise

Lesen Sie zunächst sämtliche Warn- und Sicherheitshinweise in diesem Dokument, bevor Sie eine der Anweisungen ausführen. Beachten Sie hierzu auch die Sicherheitshinweise zu Intel-Serverplatinen und -Servergehäusen unter <http://support.intel.com/support/motherboards/server/sb/CS-010770.htm>.

重要安全指导

在执行任何指令之前，请阅读本文档中的所有注意事项及安全声明。和/或<http://support.intel.com/support/motherboards/server/sb/CS-010770.htm> 上的 *Intel Server Boards and Server Chassis Safety Information*（《Intel 服务器主板与服务器机箱安全信息》）。

Consignes de sécurité

Lisez attention toutes les consignes de sécurité et les mises en garde indiquées dans ce document avant de suivre toute instruction. Consultez *Intel Server Boards and Server Chassis Safety Information* rendez-vous sur le site <http://support.intel.com/support/motherboards/server/sb/CS-010770.htm>.

Instrucciones de seguridad importantes

Lea todas las declaraciones de seguridad y precaución de este documento antes de realizar cualquiera de las instrucciones. Vea *Intel Server Boards and Server Chassis Safety Information* en <http://support.intel.com/support/motherboards/server/sb/CS-010770.htm>.

WARNINGS

Storage system power on/off: The push-button on/off power switch on the front panel of the storage system does not turn off the AC power. To remove AC power from the storage system, you must unplug the AC power cord from either the power supply or wall outlet.

Hazardous conditions—power supply: Hazardous voltage, current, and energy levels are present inside the power supply enclosure. There are no user-serviceable parts inside the power supply; servicing should only be done by technically qualified personnel.

Hazardous conditions—devices and cables: Hazardous electrical conditions may be present on power, telephone, and communication cables. Turn off the storage system and disconnect telecommunications systems, networks, modems, and the power cord attached to the storage system before opening it. Failure to do so can result in personal injury or equipment damage.

Avoid injury: Lifting the storage system chassis and attaching it to the rack is a two-person job. If needed, use an appropriate lifting device. A fully loaded Intel® Storage System SSR316MJ2 weighs approximately 31.8 kg (70 lbs.).

CAUTIONS

Temperature: The operating temperature of the storage system, when installed in an equipment rack, must not go below 5° C (41° F) or rise above 35° C (95° F). Extreme fluctuations in temperature can cause a variety of problems in the storage system.

Ventilation: The equipment rack must provide sufficient airflow to the front of the storage system to maintain proper cooling. It must also include ventilation sufficient to exhaust a maximum of 1900 BTUs per hour for a fully loaded Intel® Storage System SSR316MJ2.

Contents

About the Front Panel Board	7
Contents.....	7
Front Panel Board Installation Procedures	8
Required Tool.....	8
Power Down System and Remove Chassis Cover	8
Remove Compact Flash Card and Front Panel Cables	9
Remove Screws from Front Panel Board.....	10
Remove Front Panel Board.....	11
Install New Front Panel Board	12
Attach Screws to Front Panel Board	13
Connect Cables and Install Compact Flash Cards	14
Finishing Up	15

Figures

Figure 1. Removing Chassis Cover	8
Figure 2. Removing Compact Flash Card and Front Panel Cables	9
Figure 3. Removing Screws from the Front Panel Board.....	10
Figure 4. Removing the Front Panel Board.....	11
Figure 5. Installing the Front Panel Board.....	12
Figure 6. Attaching Screws to Front Panel Board	13
Figure 7. Connecting Cables and Installing Compact Flash Cards.....	14
Figure 8. Installing the Chassis Cover	15

About the Front Panel Board

Enclosed is your new Intel® FMJFRTPANEL Front Panel Board. The FMJFRTPANEL Front Panel Board is installed into the Storage System at the top front area of your system.

This document describes how to install the FMJFRTPANEL Front Panel Board into the Intel® Storage System SSR316MJ2.

Contents

- Intel® FMJFRTPANEL Front Panel Board

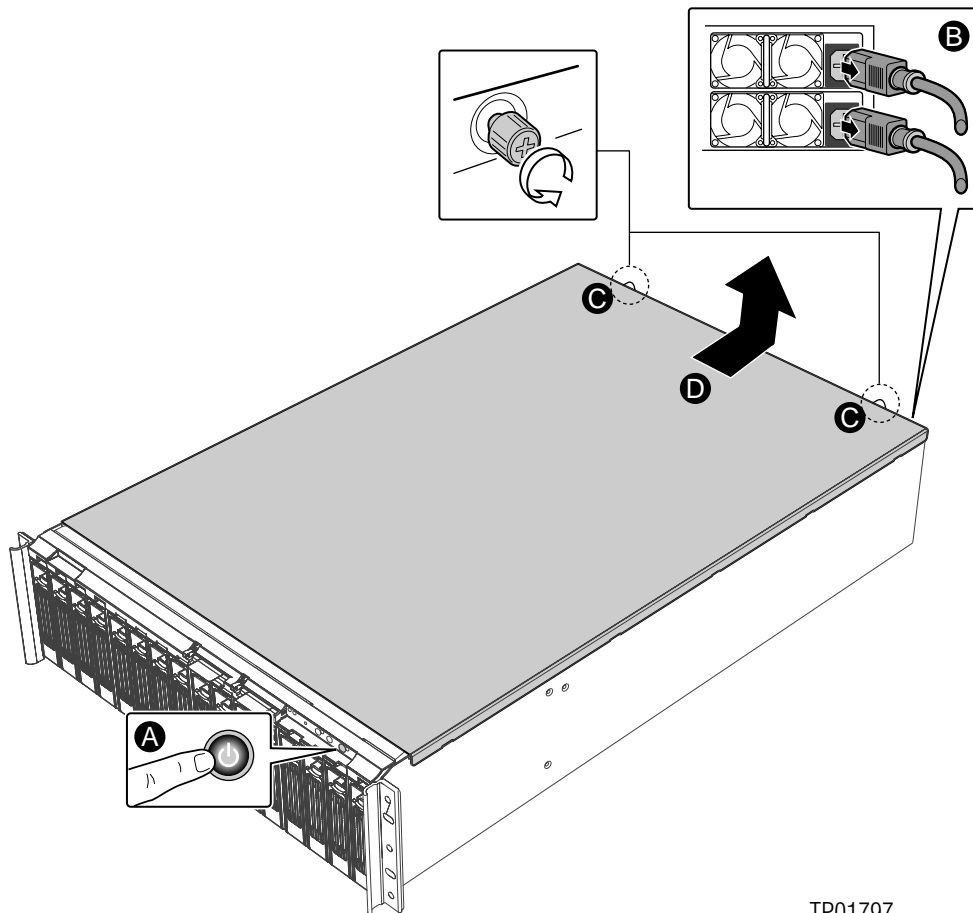
Front Panel Board Installation Procedures

Required Tool

- Cross-head (Phillips*) screwdriver

Power Down System and Remove Chassis Cover

1. Review the safety information and warnings at the beginning of this guide.
2. Power down your Intel® Storage System Console. See letter “A” in Figure 1.
3. Remove both AC power cords from the AC power inputs at the rear of your storage system. See letter “B” in Figure 1.
4. Loosen the two thumb screws at the rear of the chassis cover. See letter “C” in Figure 1.
5. Facing the front of the chassis, push the top cover rearward, and then lift it up to remove it. See letter “D” in Figure 1.

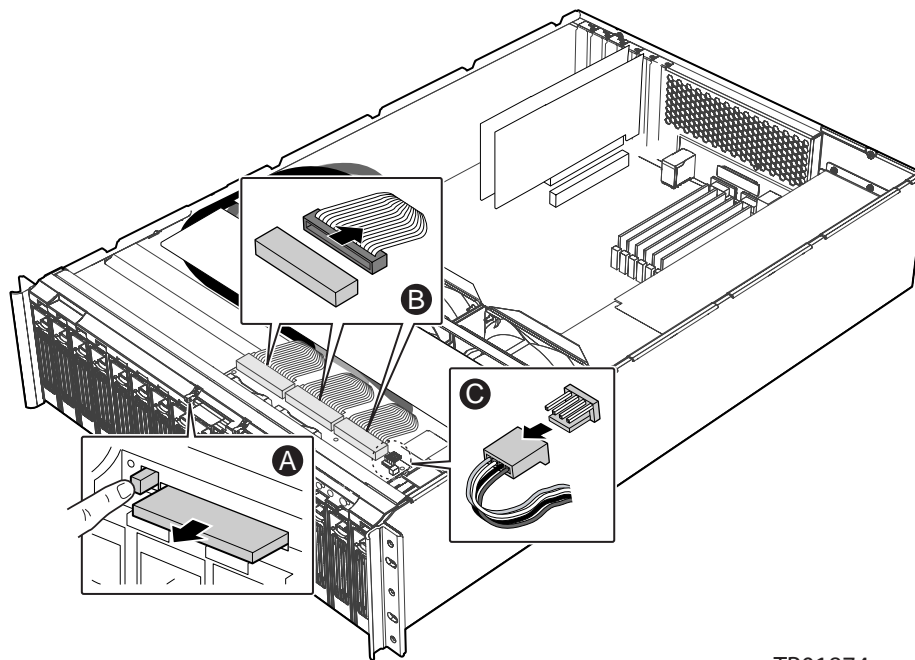


TP01797

Figure 1. Removing Chassis Cover

Remove Compact Flash Card and Front Panel Cables

1. Use the Ejector button(s) at the front of the system to eject one or both Compact Flash Cards from the seat or seats on the top edge of the front of the system. See letter “A” in Figure 2.
2. Pull the Compact Flash Card(s) from the system and set them aside. The card(s) will be re-installed later.
3. Disconnect the Front Panel cable from the front panel board. This cable is labeled J1. See letter “B” in Figure 2.
4. Disconnect the Secondary IDE cable from the front panel board. This cable is labeled J3. See letter “C” in Figure 2.
5. Disconnect the Primary IDE cable from the front panel board. This cable is labeled J5. See letter “D” in Figure 2.
6. Disconnect the front panel Power cable from the front panel board. See letter “E” in Figure 2.

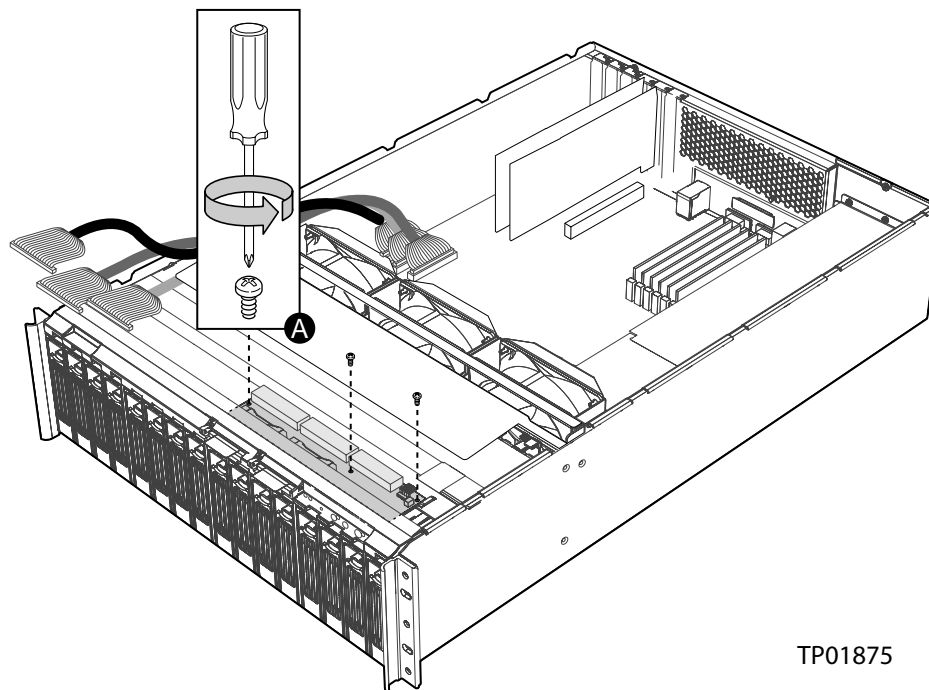


TP01874

Figure 2. Removing Compact Flash Card and Front Panel Cables

Remove Screws from Front Panel Board

1. Use a Number 1 size Phillips Screwdriver to remove the three screws on the top of the front panel board. See letter “A” in Figure 3.
2. Set these screws aside. They will be re-installed later.

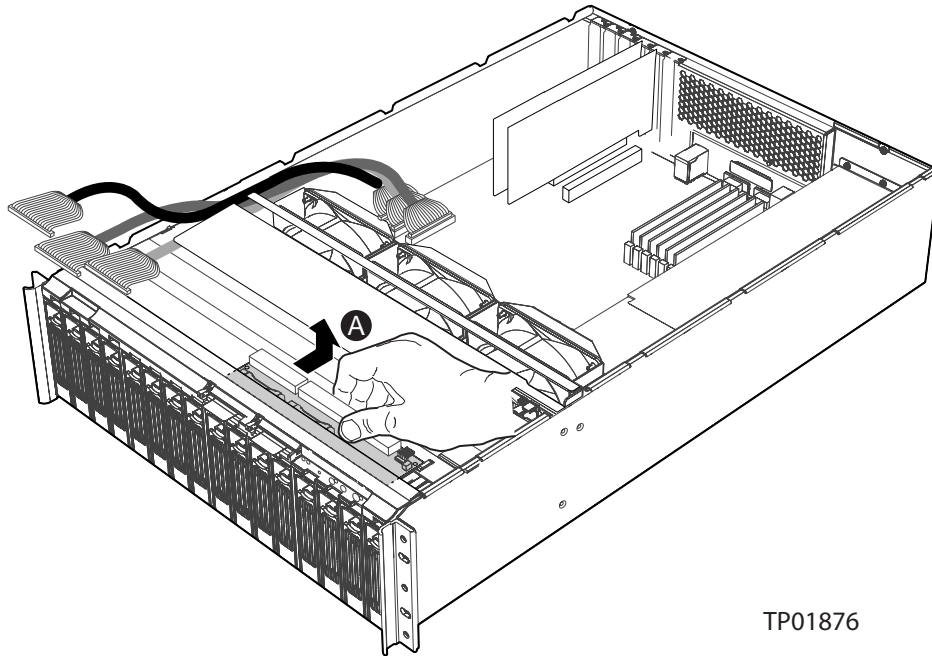


TP01875

Figure 3. Removing Screws from the Front Panel Board

Remove Front Panel Board

1. Keeping the front panel board parallel to the front of the server, slide the front panel board out from under the top front edge of the system and then lift it up and away from the system. See letter “A” in Figure 4.
2. Set the front panel board on a static-free surface.



TP01876

Figure 4. Removing the Front Panel Board

Install New Front Panel Board

1. Insert the new front panel board under the front top edge of the system. See letter “A” in **Figure 5**.
2. Make sure the light pipes protrude through the bezel.

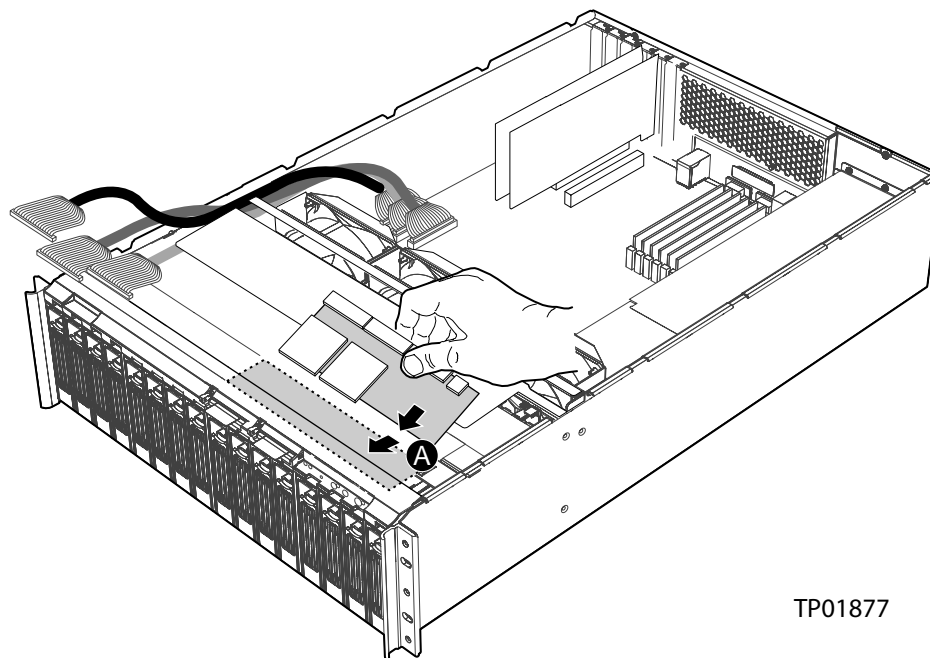
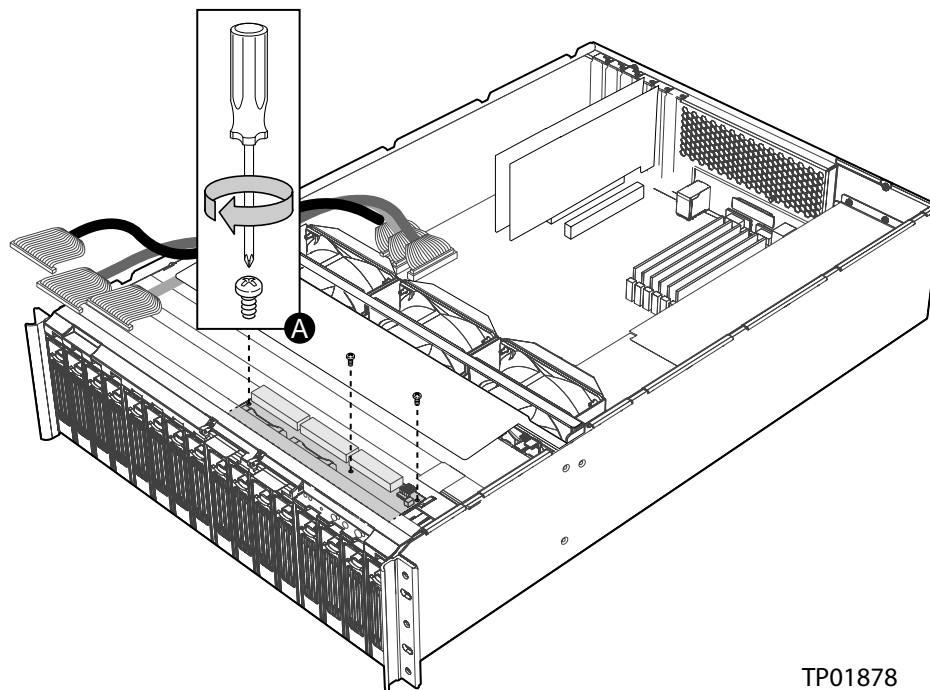


Figure 5. Installing the Front Panel Board

Attach Screws to Front Panel Board

1. Line up the screw holes on the left and right sides of the front panel.
2. Use the three screws that were set aside earlier to attach the front panel to the server. See letter “A” in Figure 6.

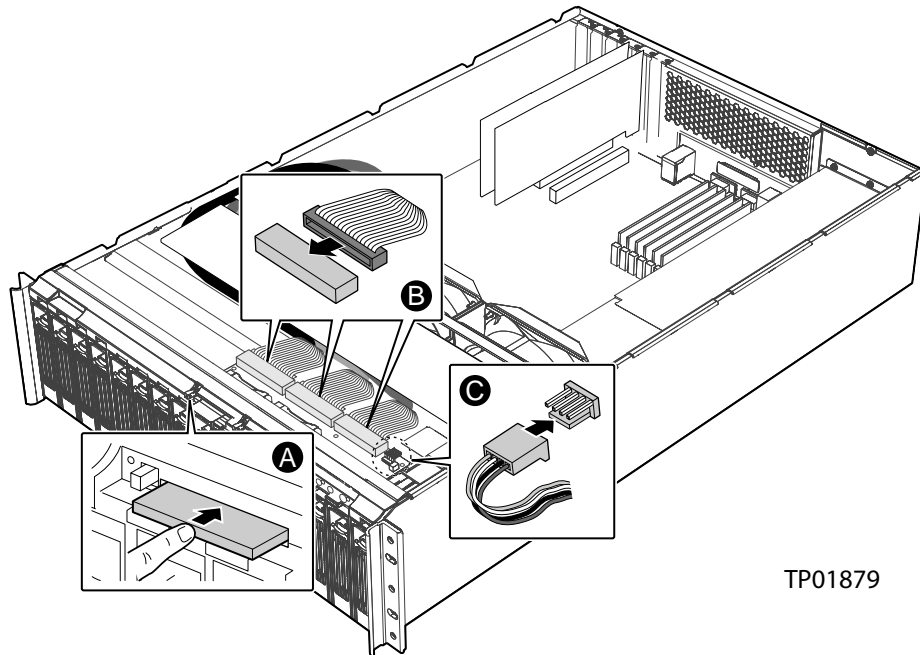


TP01878

Figure 6. Attaching Screws to Front Panel Board

Connect Cables and Install Compact Flash Cards

1. Re-seat the Compact Flash Card(s) in the Compact Flash Card bays on the top edge of the front of the system. See letter “A” in Figure 7.
2. Connect the front panel cable, labeled J1, to the front panel board. See letter “B” in Figure 7.
3. Connect the secondary IDE cable, labeled J3, to the front panel board. See letter “C” in Figure 7. The secondary IDE cable has a white metal sheath and the connector on the front panel is also white.
4. Connect the primary IDE cable, labeled J5, to the front panel board. The primary IDE cable has a blue metal sheath and the connector on the front panel is also blue. See letter “D” in Figure 7.
5. Connect the front panel power connector to the front panel board. See letter “E” in Figure 7.

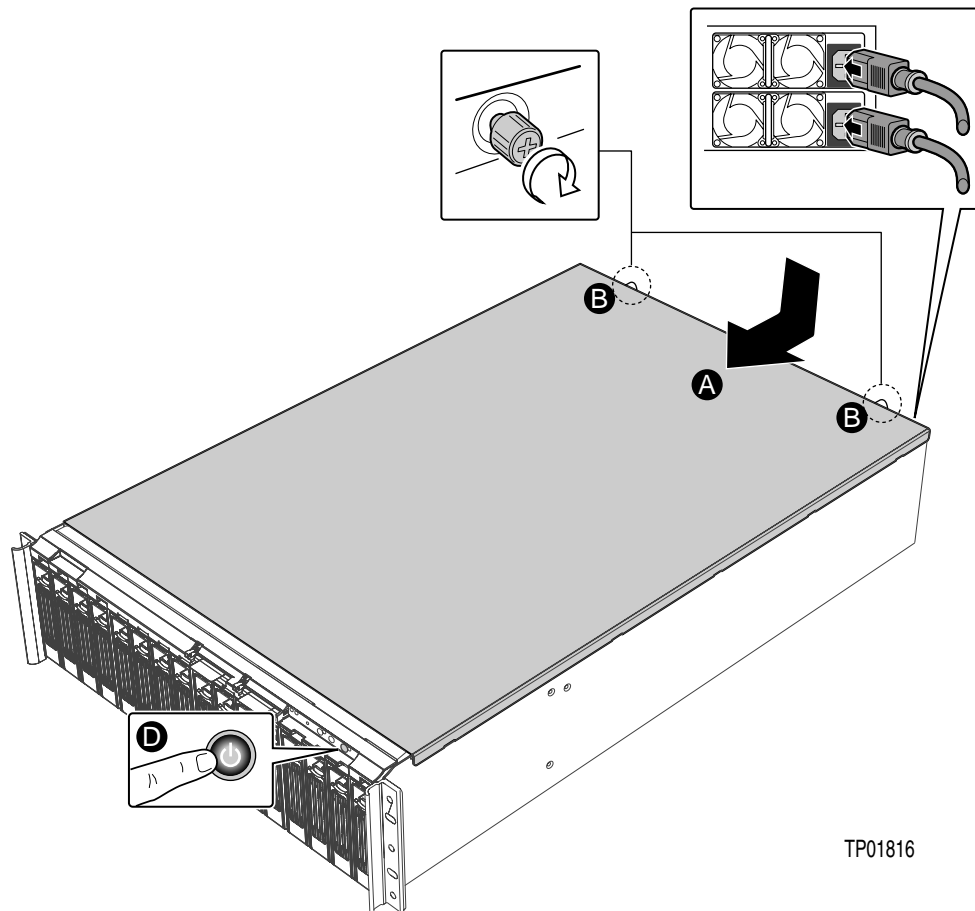


TP01879

Figure 7. Connecting Cables and Installing Compact Flash Cards

Finishing Up

1. Facing the front of the system, set the chassis cover into the corresponding slot in the chassis.
2. Pull the top cover forward. See letter “A” in Figure 8.
3. Tighten the two thumb screws at the rear of the chassis. See letter “B” in Figure 8.
4. Connect the AC power cables. See letter “C” in Figure 8.
5. Power on your Intel® Storage System Console. See letter “D” in Figure 8.



TP01816

Figure 8. Installing the Chassis Cover