

Intel[®] Storage System SSR316MJ2 Cable Kit (FMJCABLES)

Installation Guide

Order Number: C75947-001



Important Safety Instructions

Important Safety Instructions

Read all caution and safety statements in this document before performing any of the instructions. See *Intel Server Boards and Server Chassis Safety Information* at <http://support.intel.com/support/motherboards/server/safecert.htm>.

Wichtige Sicherheitshinweise

Lesen Sie zunächst sämtliche Warn- und Sicherheitshinweise in diesem Dokument, bevor Sie eine der Anweisungen ausführen. Beachten Sie hierzu auch die Sicherheitshinweise zu Intel-Serverplatinen und -Servergehäusen unter <http://support.intel.com/support/motherboards/server/safecert.htm>.

重要安全指导

在执行任何指令之前，请阅读本文档中的所有注意事项及安全声明。和/或 <http://support.intel.com/support/motherboards/server/safecert.htm> 上的 *Intel Server Boards and Server Chassis Safety Information*（《Intel 服务器主板与服务器机箱安全信息》）。

Important Safety Instructions Consignes de sécurité

Lisez attention toutes les consignes de sécurité et les mises en garde indiquées dans ce document avant de suivre toute instruction. Consultez *Intel Server Boards and Server Chassis Safety Information* rendez-vous sur le site <http://support.intel.com/support/motherboards/server/safecert.htm>.

Instrucciones de seguridad importantes

Lea todas las declaraciones de seguridad y precaución de este documento antes de realizar cualquiera de las instrucciones. Vea *Intel Server Boards and Server Chassis Safety Information* en <http://support.intel.com/support/motherboards/server/safecert.htm>.



WARNINGS

Storage system power on/off: The push-button on/off power switch on the front panel of the storage system does not turn off the AC power. To remove AC power from the storage system, you must unplug the AC power cord from either the power supply or wall outlet.

Hazardous conditions—power supply: Hazardous voltage, current, and energy levels are present inside the power supply enclosure. There are no user-serviceable parts inside the power supply; servicing should only be done by technically qualified personnel.

Hazardous conditions—devices and cables: Hazardous electrical conditions may be present on power, telephone, and communication cables. Turn off the storage system and disconnect telecommunications systems, networks, modems, and the power cord attached to the storage system before opening it. Failure to do so can result in personal injury or equipment damage.

Avoid injury: Lifting the storage system chassis and attaching it to the rack is a two-person job. If needed, use an appropriate lifting device. A fully loaded Intel® Storage System SSR316MJ2 weighs approximately 31.8 kg (70 lbs.).



CAUTIONS

Temperature: The operating temperature of the storage system, when installed in an equipment rack, must not go below 5 °C (41 °F) or rise above 35 °C (95 °F). Extreme fluctuations in temperature can cause a variety of problems in the storage system.

Ventilation: The equipment rack must provide sufficient airflow to the front of the storage system to maintain proper cooling. It must also include ventilation sufficient to exhaust a maximum of 1900 BTUs per hour for a fully loaded Intel® Storage System SSR316MJ2.

Disclaimer

Information in this document is provided in connection with Intel® products. No license, express or implied, by estoppel or otherwise, to any intellectual property rights is granted by this document. Except as provided in Intel's Terms and Conditions of Sale for such products, Intel assumes no liability whatsoever, and Intel disclaims any express or implied warranty, relating to sale and/or use of Intel products including liability or warranties relating to fitness for a particular purpose, merchantability, or infringement of any patent, copyright or other intellectual property right. Intel products are not designed, intended or authorized for use in any medical, life saving, or life sustaining applications or for any other application in which the failure of the Intel product could create a situation where personal injury or death may occur. Intel may make changes to specifications and product descriptions at any time, without notice.

Intel is a registered trademark of Intel Corporation or its subsidiaries in the United States and other countries.

* Other names and brands may be claimed as the property of others.

Copyright © 2004 Intel Corporation. All Rights Reserved.

Revision History

Date	Revision Number	Modifications
Sept. 16, 2004	1.0	Initial release
Oct. 7, 2004	1.1	Minor edits

Contents

About the Cable Kit	7
Kit Contents.....	7
About this Document	8
SATA Cables Installation Procedures	9
Required Tools.....	9
Power Down System and Remove Chassis Cover	10
Unseat Hard Disk Drives from Hard Disk Drive Bays	11
Remove Front Panel Cables from Front Panel Board.....	12
Remove Phillips Screws from Fan Assembly.....	13
Remove Fan Connectors from Baseboard.....	14
Remove Fan Assembly from the System and SATA Cables from the Host Bus Adapter Cards.....	15
Remove I ² C Cables from System	16
Remove Power Distribution Board Module Connectors from Backplane Board	17
Cut the Plastic Ties that Bundle the SATA Cables	18
Remove Backplane Board from the System	19
Remove Backplane Board from Metal Shroud.....	20
Install SATA Cables to Existing Backplane Board	21
Re-connect the I ² C Cables.....	22
Re-connect Power Distribution Board Module Connectors to Backplane Board	23
Re-Install Backplane Board.....	24
Connect SATA Cables to HBA Cards	25
Re-insert Fan Assembly into System	26
Re-attach Fan Assembly to System.....	27
Re-attach System Fan Assembly Connectors to Baseboard	28
Re-seat Front Panel Board Cables	29
Re-seat Hard Disk Drives in Hard Disk Drive Bays.....	30
Finishing Up	31
Front Panel Cables Installation Procedures	32
Required Tools.....	32
Power Down System and Remove Chassis Cover	33

Figure 23. Removing Chassis Cover	33
Remove Front Panel Cables from Front Panel Board.....	34
Remove Front Panel Cables from Baseboard	35
Install Front Panel Cables on Baseboard.....	36
Re-seat Front Panel Board Cables	37
Finishing Up	38

I²C Cables Installation Procedures..... 39

Required Tools.....	39
Power Down System and Remove Chassis Cover	39
Figure 29. Removing Chassis Cover	39
Remove Front Panel Cables from Front Panel Board.....	40
Remove Phillips Screws from Fan Assembly.....	41
Remove Fan Connectors from Baseboard.....	42
Remove Fan Assembly from the System.....	43
Remove I ² C Cables from System	44
Installing I ² C Cables in the System	45
Re-insert Fan Assembly into System	46
Re-attach Fan Assembly to System.....	47
Re-attach System Fan Assembly Connectors to Baseboard	48
Re-seat Front Panel Board Cables	49
Finishing Up	50

Figures

Figure 1. Removing Chassis Cover	10
Figure 2. Unseat Hard Disk Drives and Hard Disk Drive Carriers	11
Figure 3. Removing Front Panel Cables.....	12
Figure 4. Removing Phillips Screws to Release the Fan Assembly.....	13
Figure 5. Removing Fan Connectors from the Baseboard	14
Figure 6. Removing Fan Assembly and SATA Cable Connectors.....	15
Figure 7. Removing the I ² C Cables from the Backplane Board	16
Figure 8. Removing the Power Distribution Board Module Connectors.....	17
Figure 9. Cutting the Plastic Ties that Bundle the SATA Cables	18
Figure 10. Removing the Backplane Board from the System	19
Figure 11. Removing the Backplane Board from the Metal Shroud.....	20
Figure 12. Installing New Backplane Board into Metal Shroud.....	21
Figure 13. Re-connecting the I ² C Cables.....	22
Figure 14. Re-Connecting the Power Distribution Board Module Connectors.....	23
Figure 15. Installing the New Backplane Board in the System	24
Figure 16. Connecting the SATA Cables to the HBA Cards	25

Figure 17. Re-inserting the Fan Assembly into the System.....	26
Figure 18. Re-attaching the Fan Assembly to the System.....	27
Figure 19. Re-attaching the System Fan Assembly Connectors	28
Figure 20. Re-seating Front Panel Board Cables	29
Figure 21. Re-seating Hard Disk Drives in Hard Disk Drive Bays.....	30
Figure 22. Re-attaching the Chassis Cover	31
Figure 23. Removing Chassis Cover	33
Figure 24. Removing Front Panel Cables.....	34
Figure 25. Removing Front Panel Cables from Baseboard	35
Figure 26. Installing Front Panel Cables on Baseboard	36
Figure 27. Re-seating Front Panel Board Cables	37
Figure 28. Re-attaching the Chassis Cover	38
Figure 29. Removing Chassis Cover	39
Figure 30. Removing Front Panel Cables.....	40
Figure 31. Removing Phillips Screws to Release the Fan Assembly	41
Figure 32. Removing Fan Connectors from the Baseboard	42
Figure 33. Removing Fan Assembly.....	43
Figure 34. Removing the I ² C Cables from the Backplane Board.....	44
Figure 35. Installing I ² C Cables.....	45
Figure 36. Re-inserting the Fan Assembly into the System.....	46
Figure 37. Re-attaching the Fan Assembly to the System.....	47
Figure 38. Re-attaching the System Fan Assembly Connectors	48
Figure 39. Re-seating Front Panel Board Cables	49
Figure 40. Re-attaching the Chassis Cover	50

About the Cable Kit

Enclosed is your new Intel® FMJCABLES Cable Kit. The Intel® FMJCABLES Cable Kit contains 16 SATA Cables, Two IDE Cables, One Front Panel Cable, and Three I²C Cables.



NOTE

This document describes how to install the Intel® FMJCABLES SATA Cables, Intel® FMJCABLES IDE Cables, the Intel® FMJCABLES Front Panel Cable, and Intel® FMJCABLES I²C Cables into the Intel® Storage System SSR316MJ2.

Kit Contents

- Intel® FMJCABLES SATA Cables
- Intel® FMJCABLES IDE Cables
- Intel® FMJCABLES Front Panel Cable
- Intel® FMJCABLES I²C Cables

About this Document

The Intel® FMJCABLES Cable Kit contains SATA Cables, Front Panel Cables, and I²C Cables. The Intel® FMJCABLES Installation Guide contains separate installation instructions for each of the three sets of cables.

SATA Cables Installation Procedures

Required Tools

- Cross-head (Number 1 Size Phillips*) screwdriver
- Wire cutters

Power Down System and Remove Chassis Cover

- A. From within the Intel® Storage System Console, power down your system.
- B. Remove both AC Power cords from the AC Power inputs on your system. See Figure 1.
- C. Loosen the two thumb screws from the top of the chassis cover. See Figure 1.
- D. Facing the front of the chassis, push the top cover rearward, and then lift it up to remove it.

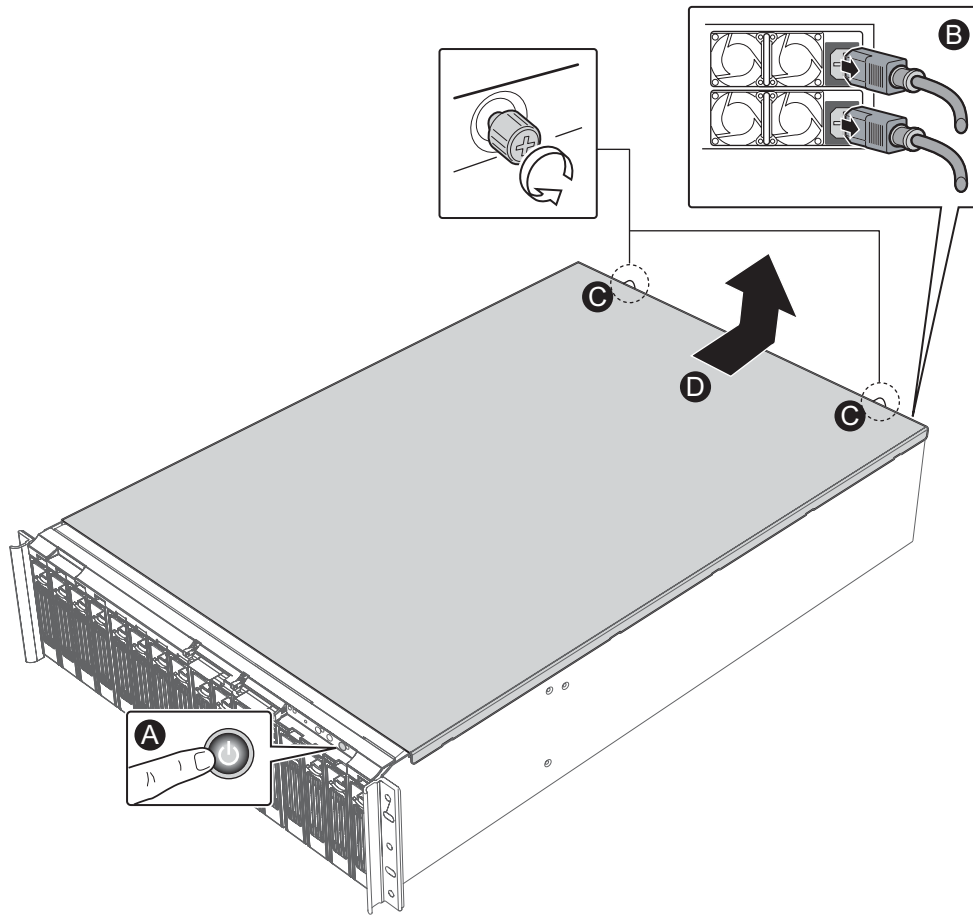


Figure 1. Removing Chassis Cover

Unseat Hard Disk Drives from Hard Disk Drive Bays

- A. Pressing down on the hard disk drive handle release mechanisms, unlatch the handle on the hard disk drives and hard disk drive carriers. See Figure 2.
- B. Rotate the hard disk drive and hard disk drive carrier handles downward. See Figure 2.
- C. Slide the hard disk drives and hard disk drive carriers at least halfway out of the hard disk drive bays. See Figure 2. It is not necessary to completely remove the hard disk drives from the bays.

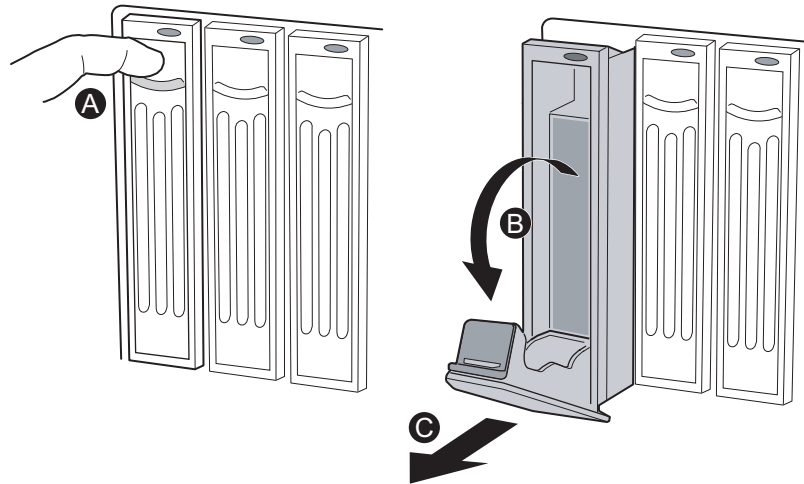


Figure 2. Unseat Hard Disk Drives and Hard Disk Drive Carriers

Remove Front Panel Cables from Front Panel Board

- A. Remove the Primary IDE Cable labeled J5 from its connector receptacle on the front panel board. See Figure 3.
- B. Remove the Secondary IDE Cable labeled J3 from its connector receptacle on the front panel board. See Figure 3.
- C. Remove the Front Panel Cable labeled J1 from its connector receptacle on the front panel board. See Figure 3.
- D. Remove the front panel power connector from its connector receptacle on the front panel board. See Figure 3.
- E. Move the front panel cables from underneath the fan assembly shroud and backplane and away from the front part of the system.

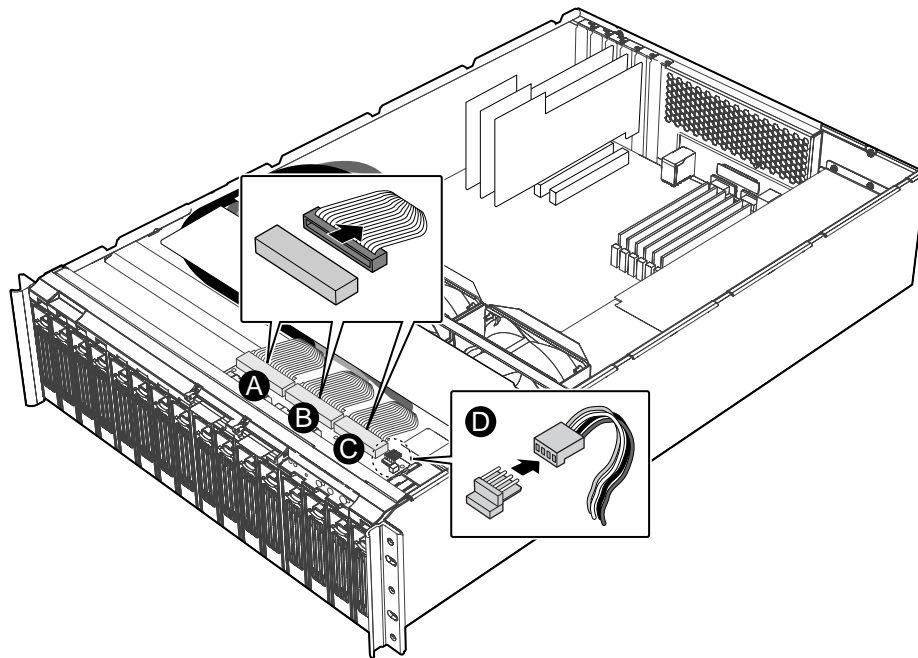


Figure 3. Removing Front Panel Cables

Remove Phillips Screws from Fan Assembly

- A. Using a Number 1 size Phillips Screwdriver, remove the two Phillips screws (there is one screw on each side of the system) that hold the system fan assembly in place. See Figure 4. Set these screws aside. They will be re-installed later.

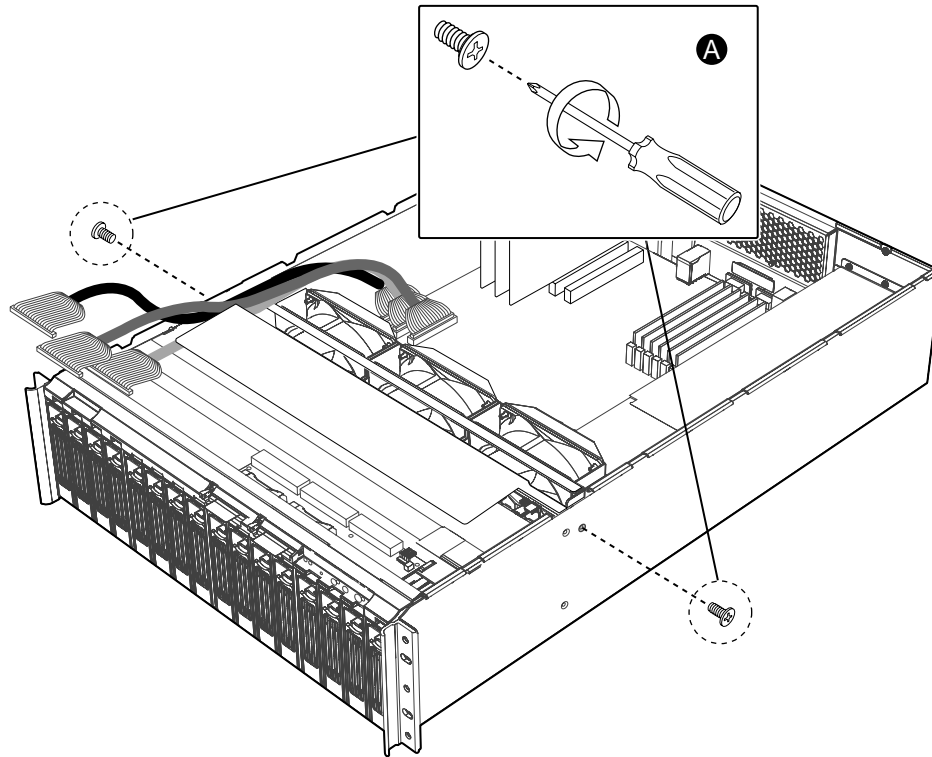


Figure 4. Removing Phillips Screws to Release the Fan Assembly

Remove Fan Connectors from Baseboard

- A. Remove the wire connector for Fan 3 from the baseboard header labeled J2K1. See Figure 5.
- B. Remove the wire connector for Fan 4 from the baseboard header labeled J4K2. See Figure 5.
- C. Remove the wire connector for Fan 5 from the baseboard header labeled J4K4. See Figure 5.

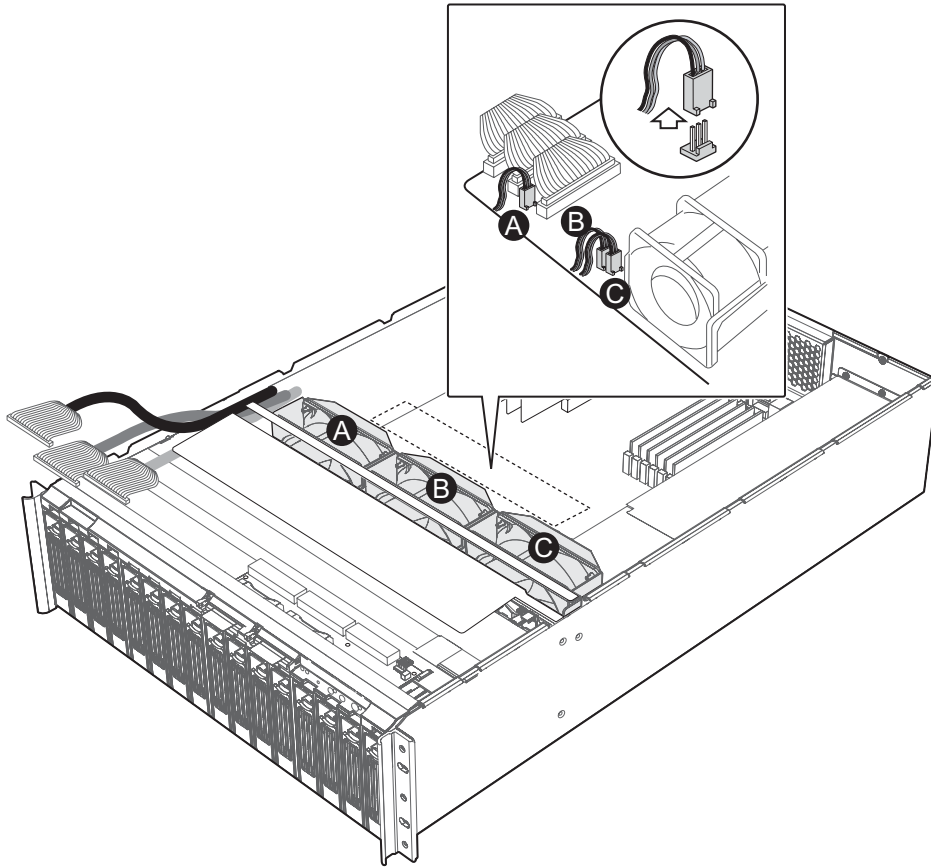


Figure 5. Removing Fan Connectors from the Baseboard

Remove Fan Assembly from the System and SATA Cables from the Host Bus Adapter Cards

- A. Simultaneously pull up on both sides of the fan assembly and remove the fan assembly from the storage system. Set the fan assembly on a static-free surface.
- B. Carefully remove the 16 SATA Cable connectors from the three SATA Host Bus Adapter Cards near the back of the system. Make a note of the number labels on each SATA Cable. The new SATA Cables will connect to the SATA Host Bus Adapter Cards in the same numeric order. See Figure 6.

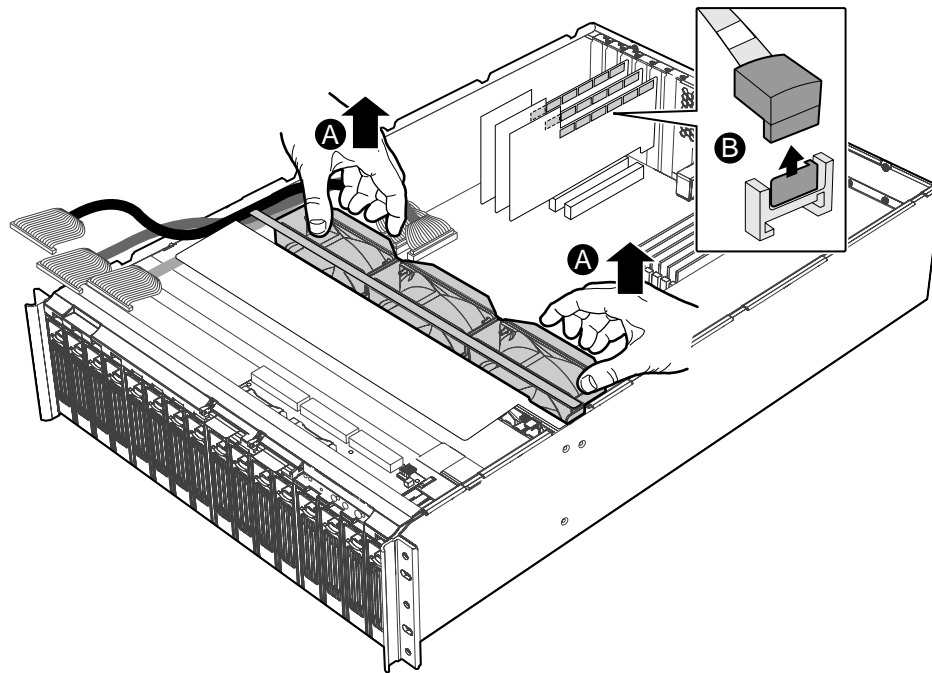


Figure 6. Removing Fan Assembly and SATA Cable Connectors

Remove I²C Cables from System

- A. Make a note of the header positions of the three I²C Cable connectors. After installation of the SATA Cables has been completed, you will re-connect these connectors to the same headers. Carefully remove the I²C Cable connector labeled JP4 from its I²C Cable header on the backplane board. Carefully remove the I²C Cable connector labeled SL2J6 from its I²C Cable header in the HBA Card set. See Figure 7.
- B. Carefully remove the I²C Cable connector labeled JP6 from its I²C Cable header on the backplane board. Carefully remove the I²C Cable connector labeled SL3J6 from its I²C Cable header in the HBA Card set. See Figure 7.
- C. Carefully remove the I²C Cable connector labeled JP7 from its I²C Cable header on the backplane board. Carefully remove the I²C Cable connector labeled SL4J6 from its I²C Cable header in the HBA Card set. See Figure 7. Set the I²C Cable connectors on a static-free surface.

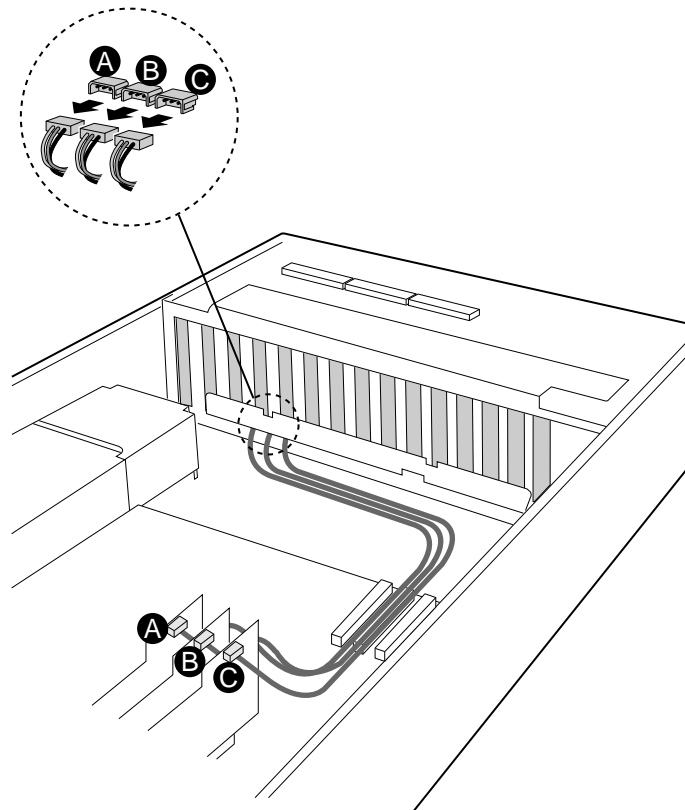


Figure 7. Removing the I²C Cables from the Backplane Board

Remove Power Distribution Board Module Connectors from Backplane Board

- A. Carefully remove the two 12-pin Power Distribution Board Module connectors from the backplane board. See Figure 8.

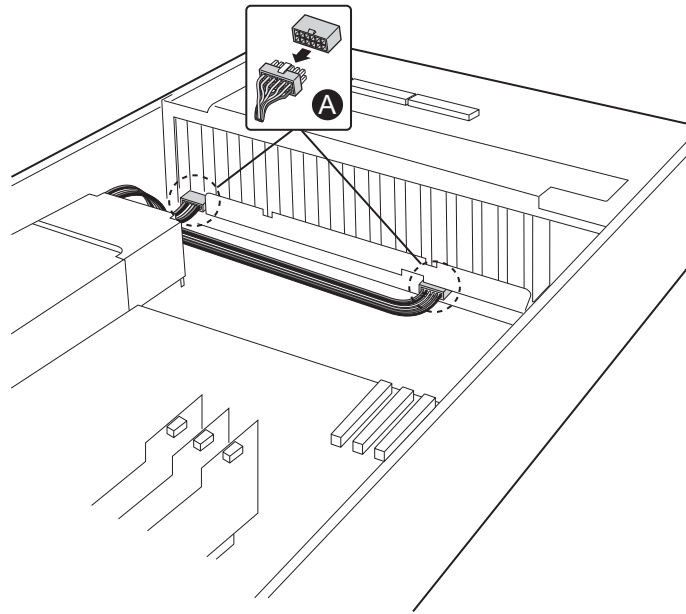


Figure 8. Removing the Power Distribution Board Module Connectors

Cut the Plastic Ties that Bundle the SATA Cables

- A. Cut the plastic cable ties that bundle the SATA Cables. See Figure 9.

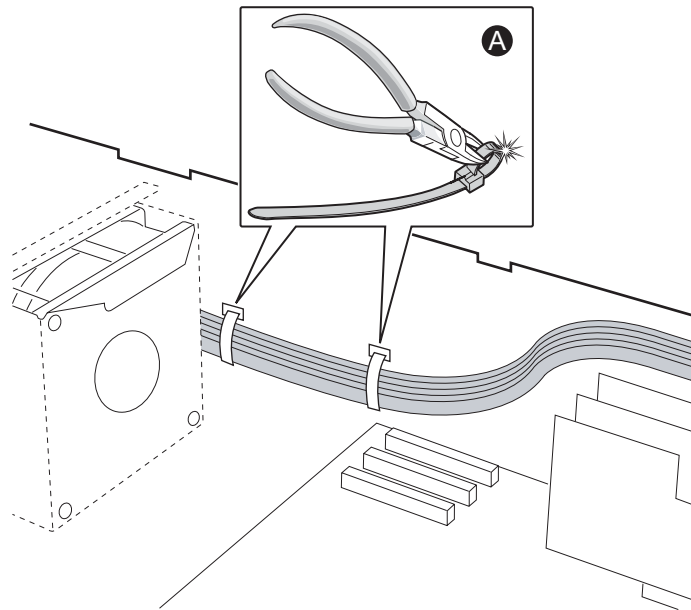


Figure 9. Cutting the Plastic Ties that Bundle the SATA Cables

Remove Backplane Board from the System

- A. Using a Number 1 size Phillips Screwdriver, remove the two Phillips screws on each side of the system that hold the backplane board in place. See Figure 10. Set these screws aside. They will be re-installed later.
- B. Using a Number 1 size Phillips Screwdriver, remove the four Phillips screws from the steel lip that holds the backplane board in place. See Figure 10. Set these screws aside. They will be re-installed later.
- C. Carefully remove the backplane board from the storage system. Pay attention to sharp edges on the backplane board. See Figure 10.

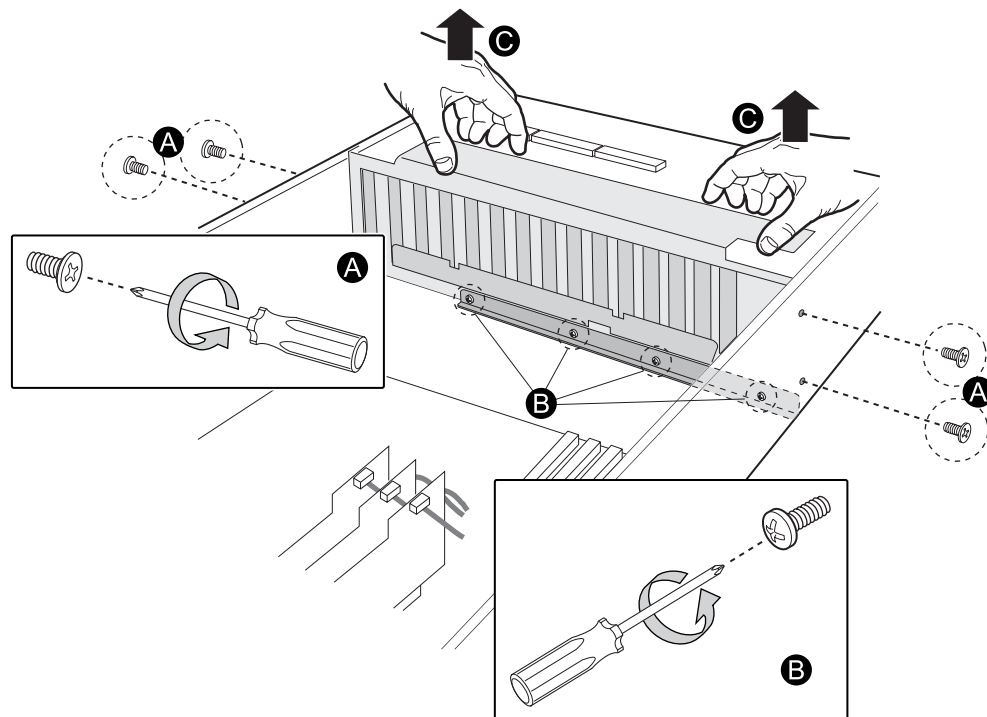


Figure 10. Removing the Backplane Board from the System

Remove Backplane Board from Metal Shroud

- A. Using a Number 1 size Phillips Screwdriver, remove the two Phillips screws on each side of the backplane board that hold the backplane board in its metal shroud. See Figure 11. Set these screws aside. They will be re-installed later.
- B. Carefully remove the backplane board from the metal shroud. Pay attention to sharp edges on the backplane board and metal shroud. See Figure 11.
- C. Remove all SATA Cable connectors from the backplane board. Remove the SATA Cables from the system.

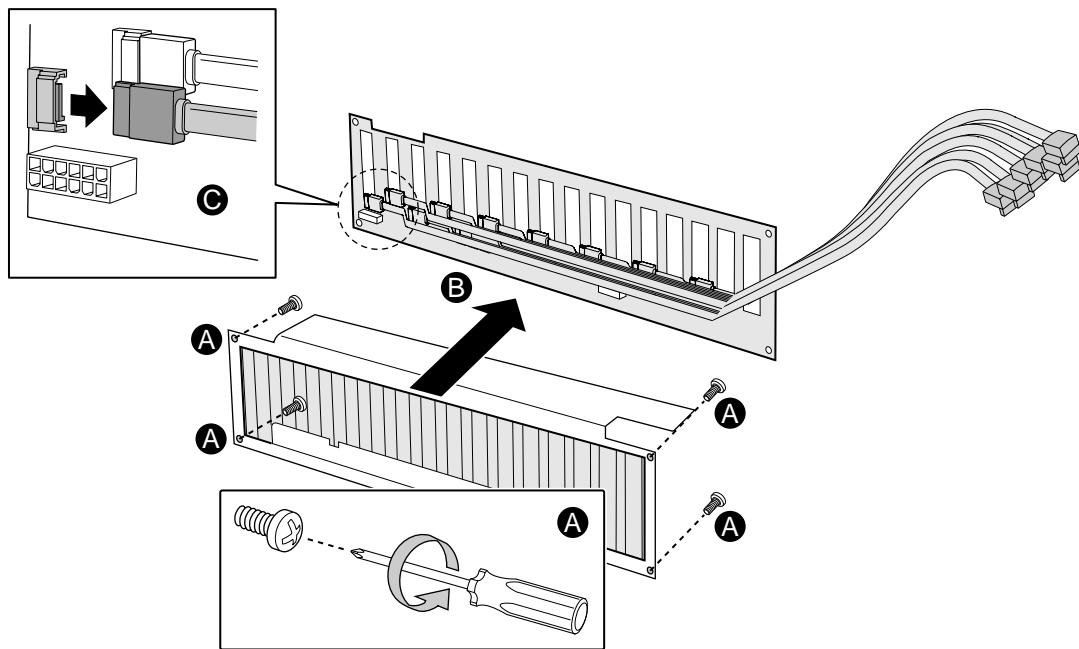


Figure 11. Removing the Backplane Board from the Metal Shroud

Install SATA Cables to Existing Backplane Board

- A. Open the SATA Cables package that is part of the new FMJCABLES Cable Kit. Carefully connect the backplane board end of each of the 16 cables to the backplane board.
- B. Carefully insert the new backplane board into the metal shroud. Pay attention to sharp edges on the backplane board and metal shroud. See Figure 12.
- C. Using a Number 1 size Phillips Screwdriver, screw in the two Phillips screws on each side of the backplane board that hold the backplane board in its metal shroud. See Figure 12.

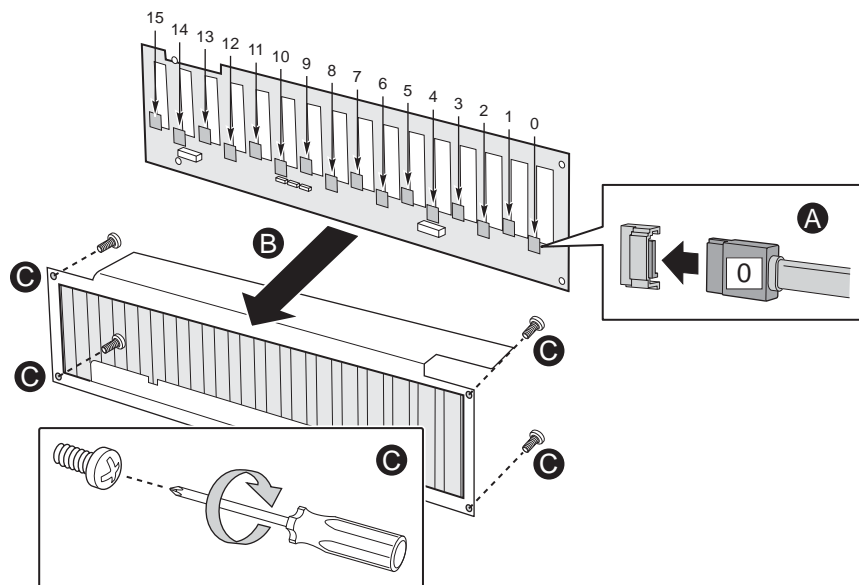


Figure 12. Installing New Backplane Board into Metal Shroud

Re-connect the I²C Cables

- A. Carefully re-connect the I²C Cable connector labeled JP4 to its header on the backplane board. Carefully re-connect I²C Cable connector labeled SL2J6 to its header in the HBA Card set. See Figure 13.
- B. Carefully re-connect the I²C Cable connector labeled JP6 to its header on the backplane board. Carefully re-connect I²C Cable connector labeled SL3J6 to its header in the HBA Card set See Figure 13.
- C. Carefully re-connect the I²C Cable connector labeled JP7 to its header on the backplane board. Carefully re-connect I²C Cable connector labeled SL4J6 to its header in the HBA Card set See Figure 13.

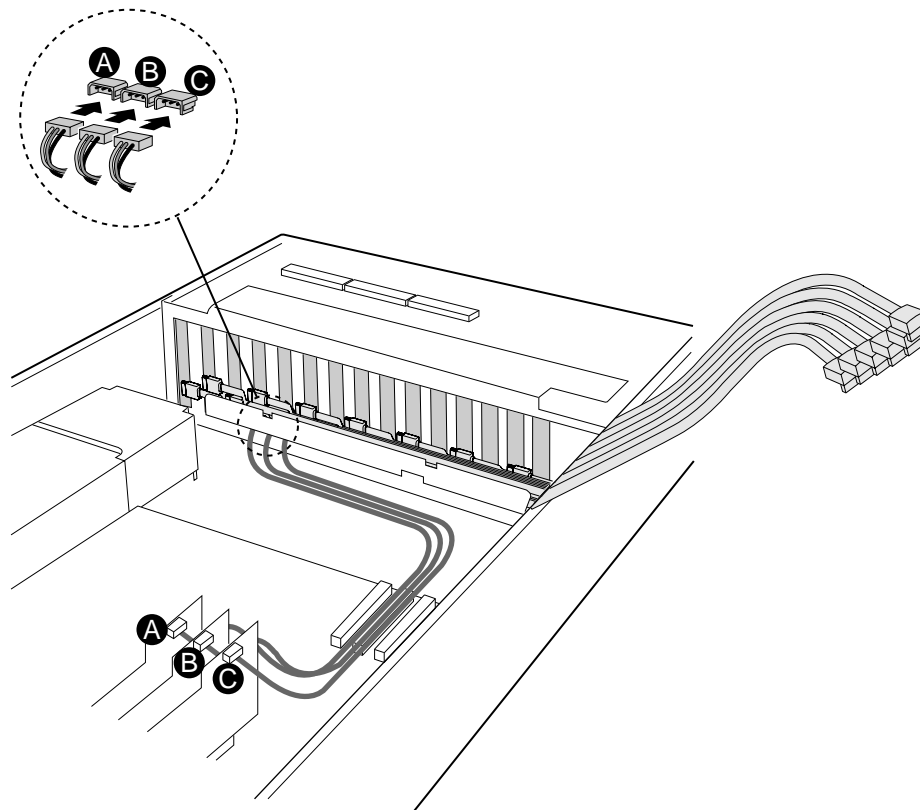


Figure 13. Re-connecting the I²C Cables

Re-connect Power Distribution Board Module Connectors to Backplane Board

- A. Carefully re-connect the two 12-pin Power Distribution Board Module connectors to the backplane board. See Figure 14.

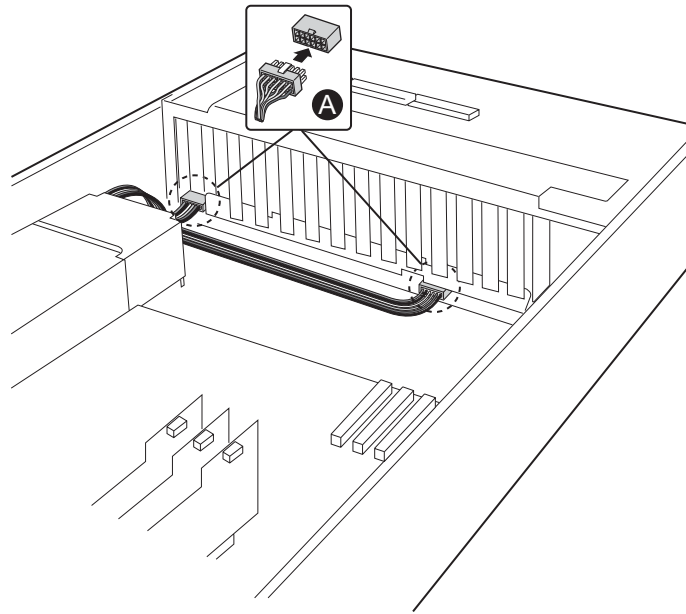


Figure 14. Re-Connecting the Power Distribution Board Module Connectors

Re-Install Backplane Board

- A. Insert the Intel® FMJBACKPLANE Backplane Board and sheet metal shroud combined unit into the system. Align the holes on the bottom of the Backplane Board sheet metal shroud onto the protruding blue pegs on the floor of the chassis. Snap the Backplane Board and sheet metal shroud into place.
- B. Align the screw holes on the steel lip with the screws holes on the backplane sheet metal shroud. Using a Number 1 size Phillips Screwdriver, screw in the four Phillips screws into the steel lip and backplane board until the backplane board is installed. See Figure 15.
- C. Align the screw holes on the side of the chassis with the screws holes on the side of the backplane board sheet metal shroud. Using a Number 1 size Phillips Screwdriver, screw in the two Phillips screws into each side of the system until the backplane board is installed. See Figure 15.

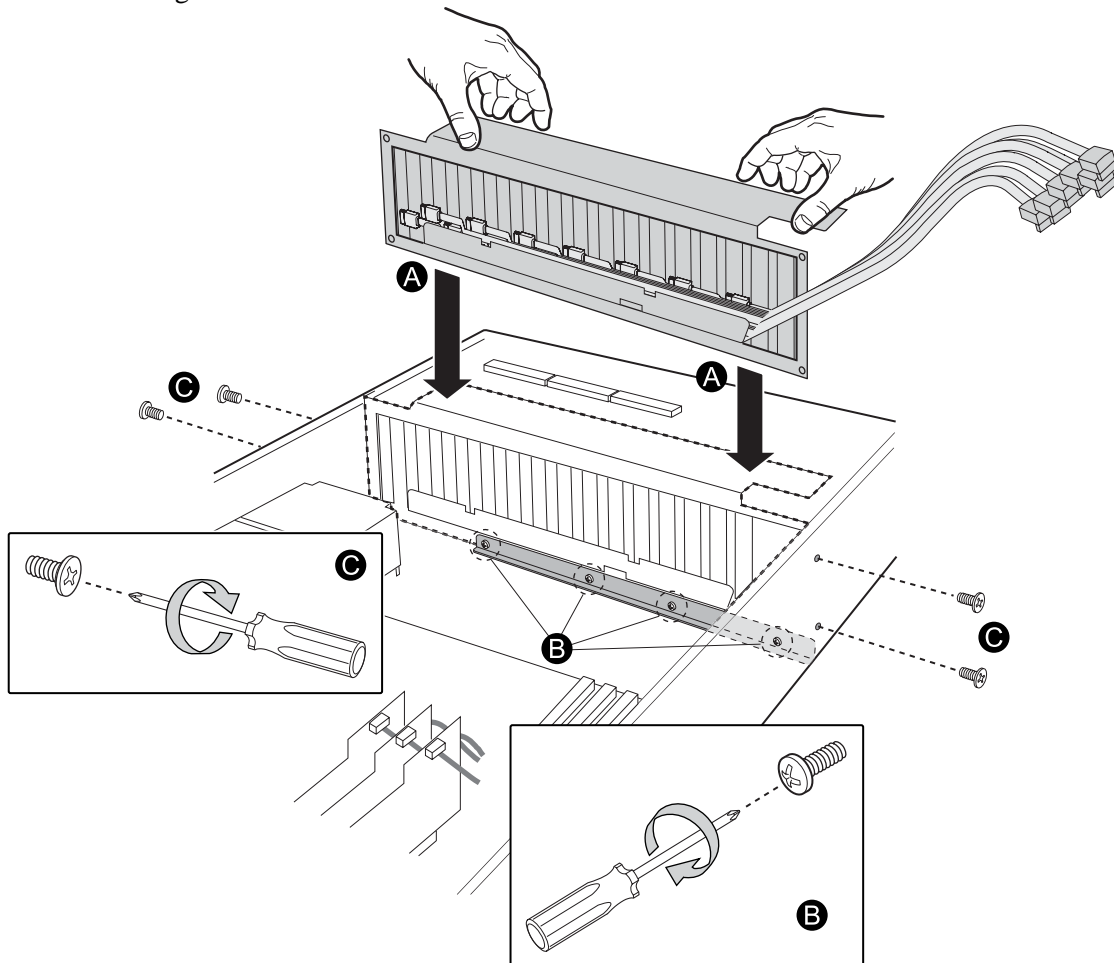


Figure 15. Installing the New Backplane Board in the System

Connect SATA Cables to HBA Cards

- A. Carefully connect the 16 new SATA Cable connectors to the three SATA Host Bus Adapter Cards. Connect the cables to the cards in the original numeric connection order. See Figure 16. Ensure that the SATA Cables are routed to the outside of the Host Bus Adapter Cards. Route the SATA Cables along the side of the chassis in the same way that the original SATA Cables were routed. The cables remain on the chassis side of the Host Bus Adapter Cards and connect to the cards from the chassis side.
- B. Insert new plastic cable ties through the steel links on the side of the chassis where the SATA Cables are normally routed. Bundle the SATA Cables in the same way they were originally bundled and snap the ties tight into place around the cables. Wrap new plastic cable ties around the SATA Cables in the other spots where the original plastic cable ties were cut, and snap the ties tight into place around the the cables. See Figure 16. A total of seven new plastic cable ties should be used.

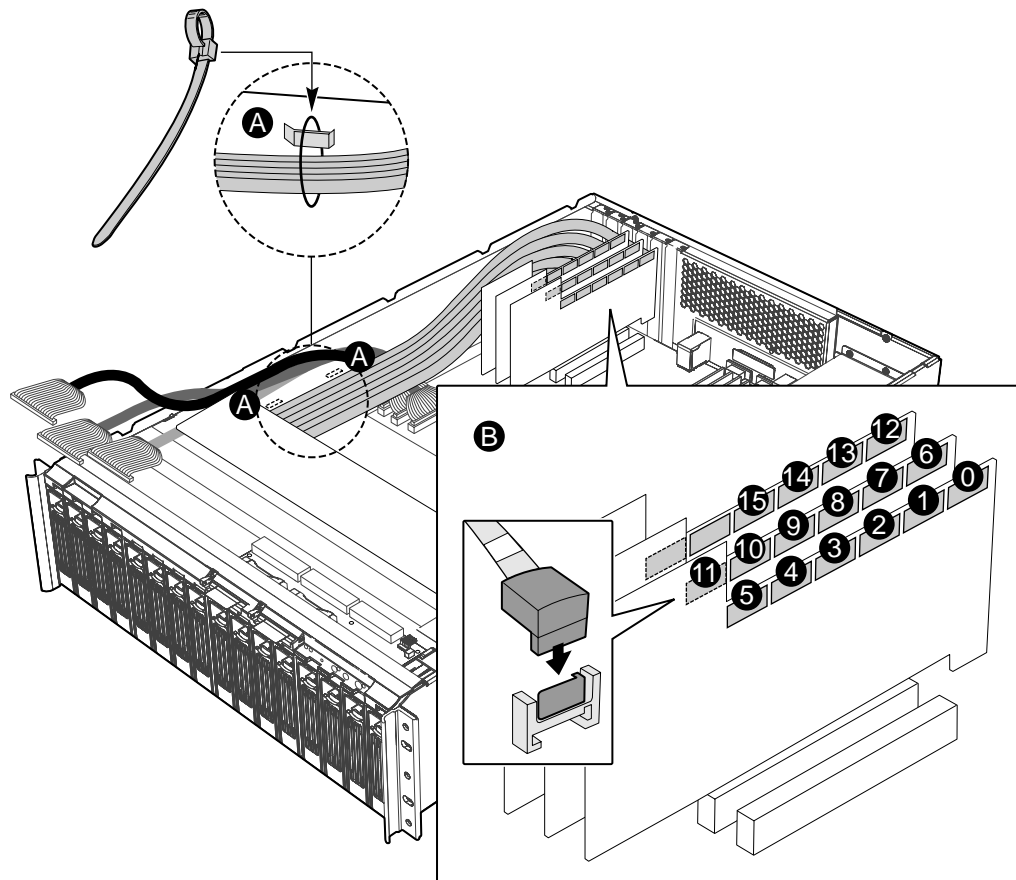


Figure 16. Connecting the SATA Cables to the HBA Cards

Re-insert Fan Assembly into System

- A. Remove any slack wires away from the space that is occupied by the fan assembly. Align the holes on the bottom edge of the fan assembly with the outer edges of the blue plastic brackets on the bottom of the chassis. Move the fan assembly into place. See Figure 17.

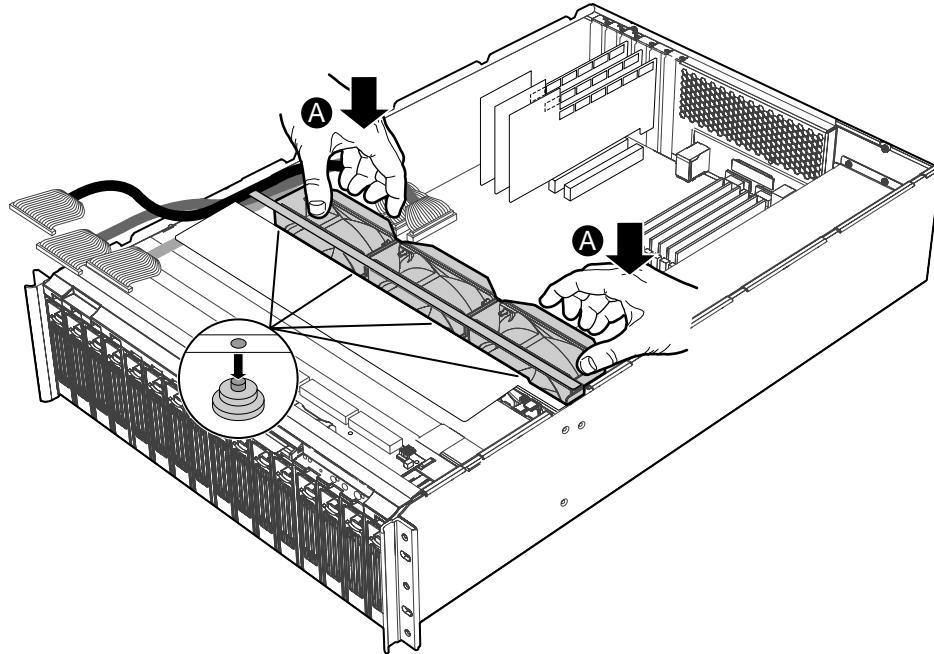


Figure 17. Re-inserting the Fan Assembly into the System

Re-attach Fan Assembly to System

- A. Using a Number 1 size Phillips Screwdriver, screw the Phillips screw on each side of the system into place so that the system fan assembly is mounted in the chassis. See Figure 18.

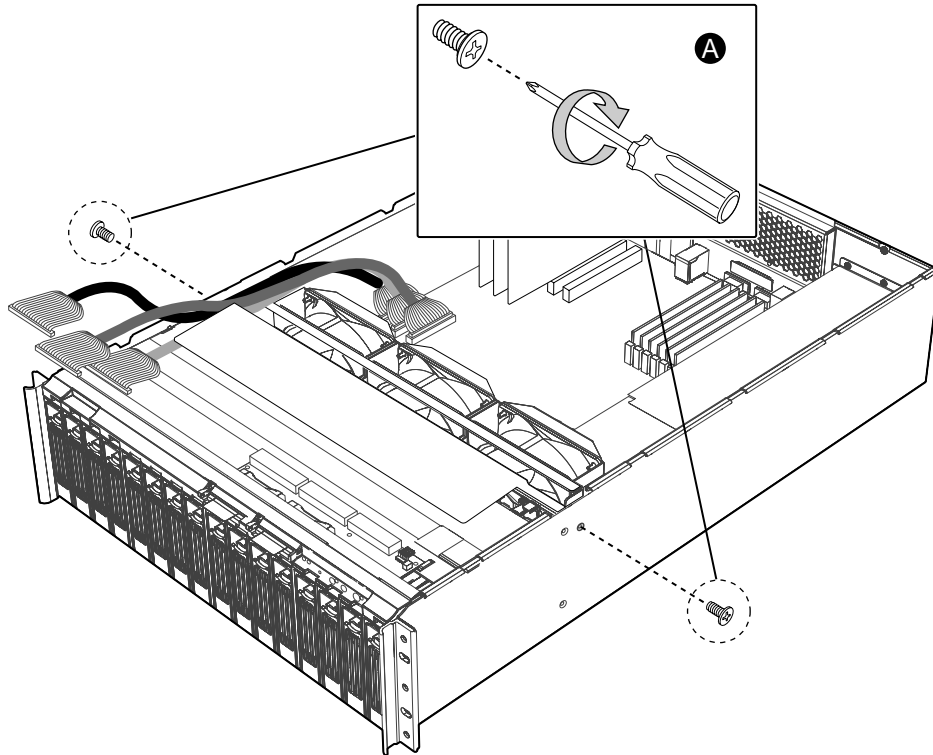


Figure 18. Re-attaching the Fan Assembly to the System

Re-attach System Fan Assembly Connectors to Baseboard

- A. Re-connect the wire connector for Fan 3 to the baseboard header labeled J2K1. See Figure 19.
- B. Re-connect the wire connector for Fan 4 to the baseboard header labeled J4K2. See Figure 19.
- C. Re-connect the wire connector for Fan 5 to the baseboard header labeled J4K4. See Figure 19.

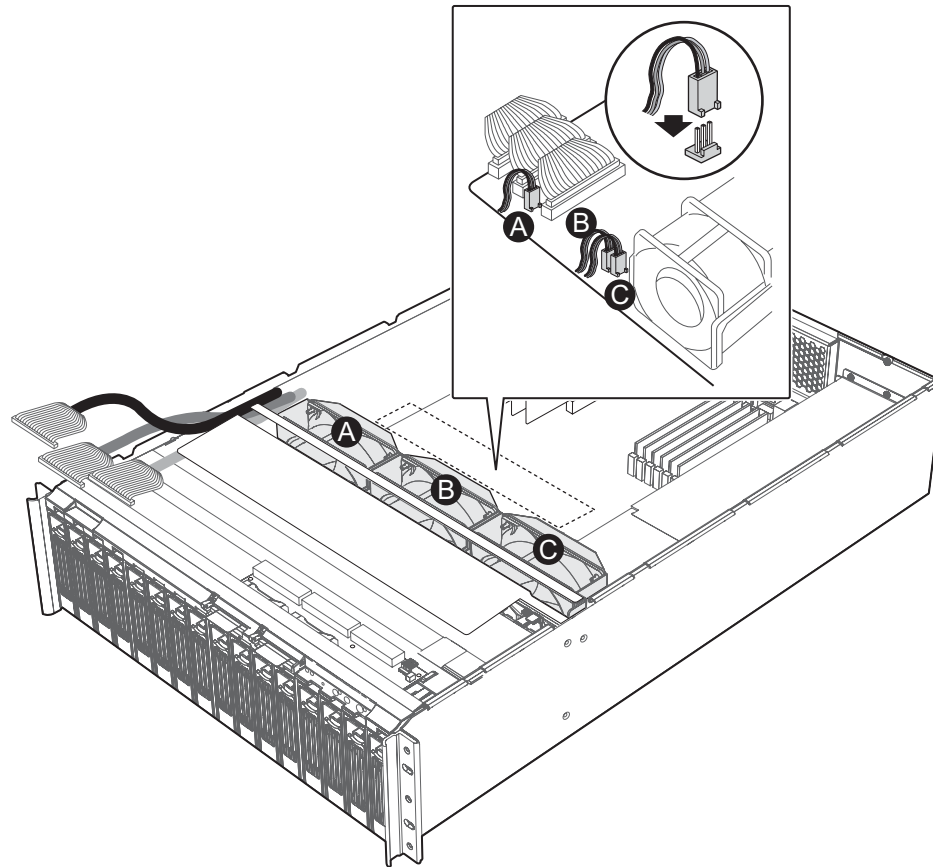


Figure 19. Re-attaching the System Fan Assembly Connectors

Re-seat Front Panel Board Cables

Once you have inserted and attached the new backplane board in your system, re-seat the front panel board cables. Complete the following steps.

- A. Re-seat the Front Panel Cable labeled J1 into its connector receptacle on the front panel board. See Figure 20.
- B. Re-seat the Secondary IDE Cable labeled J3 into its connector receptacle on the front panel board. See Figure 20.
- C. Re-seat the Primary IDE Cable labeled J5 into its connector receptacle on the front panel board. See Figure 20.
- D. Re-seat the front panel power connector into its connector receptacle on the front panel board.
See Figure 20.

NOTE: The color of the mesh sheath of the Primary IDE Cable is blue. The blue Primary IDE Cable connects to the blue Front Panel Board connector receptacle. The color of the mesh sheath of Secondary IDE Cable is white. The white Primary IDE Cable connects to the grey Front Panel Board connector receptacle. The color of the mesh sheath of Front Panel Cable is black. The black Primary IDE Cable connects to the black Front Panel Board connector receptacle.

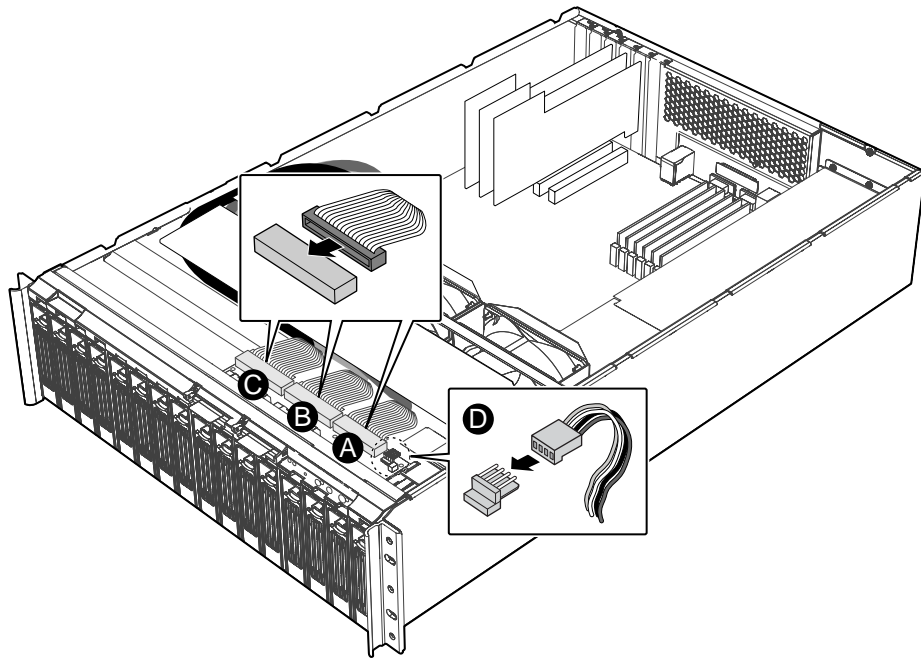


Figure 20. Re-seating Front Panel Board Cables

Re-seat Hard Disk Drives in Hard Disk Drive Bays

- A. Re-seat all hard disk drives and hard disk drive carriers in the hard disk drive bays located on the front of the system. Slide all hard disk drives and drive carriers into the bays as far as they can go. See Figure 21.
- B. Use the handles to lock the drives into the bays. See Figure 21.

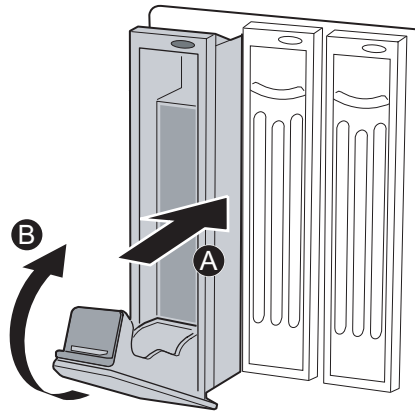


Figure 21. Re-seating Hard Disk Drives in Hard Disk Drive Bays

Finishing Up

- A. Facing the front of the system, insert the chassis cover into its slot. Push the top cover forward until it reaches the front of the system. See Figure 22.
- B. Tighten the two thumb screws on the back of the chassis cover. See Figure 22.
- C. Re-attach the AC power cables. See Figure 22.
- D. You can now power on the Intel® Storage System SSR316MJ2. See Figure 22.

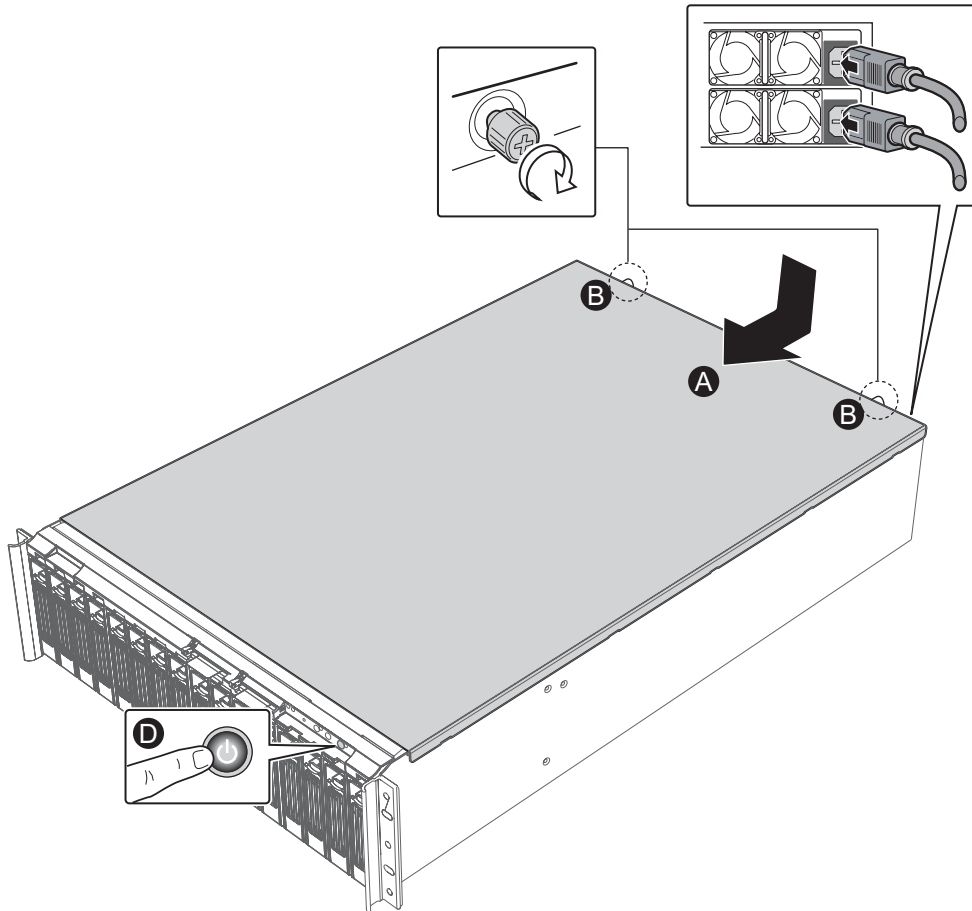


Figure 22. Re-attaching the Chassis Cover

Front Panel Cables Installation Procedures

Required Tools

- Wire cutters

Power Down System and Remove Chassis Cover

- A. From within the Intel® Storage System Console, power down your system.
- B. Remove both AC Power cords from the AC Power inputs on your system. See Figure 23.
- C. Loosen the two thumb screws from the top of the chassis cover. See Figure 23.
- D. Facing the front of the chassis, push the top cover rearward, and then lift it up to remove it.

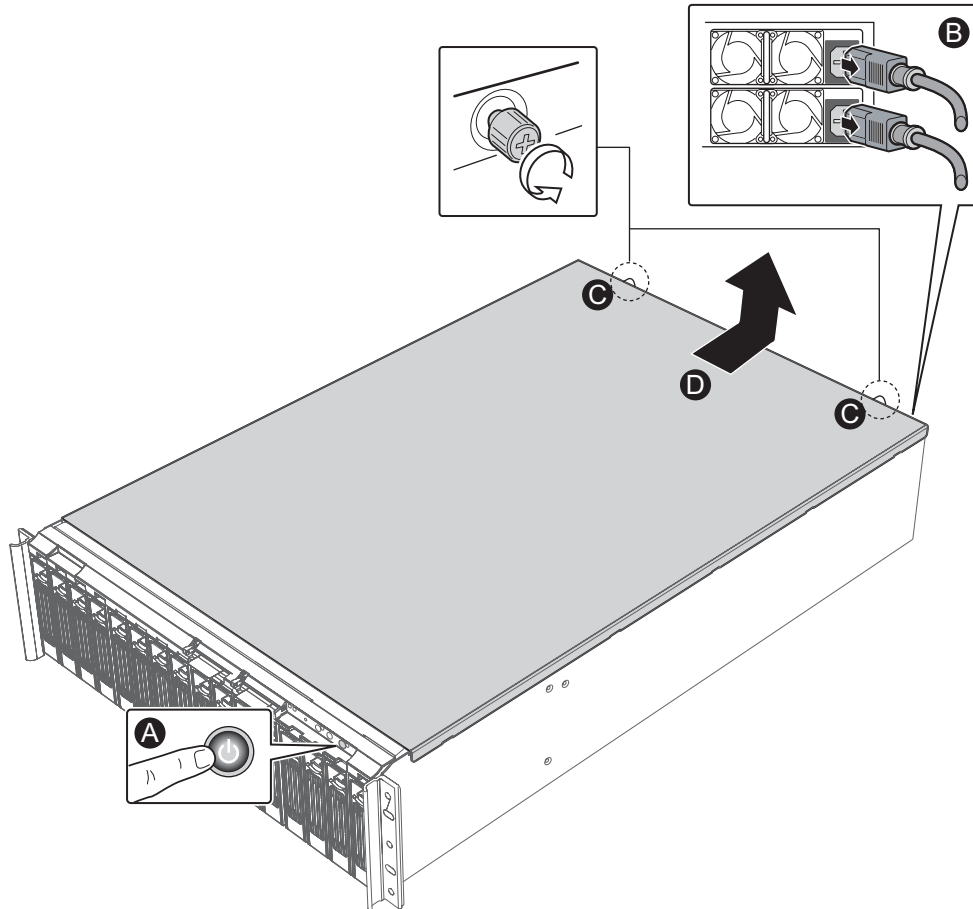


Figure 23. Removing Chassis Cover

Remove Front Panel Cables from Front Panel Board

- A. Remove the Primary IDE Cable labeled J5 from its connector receptacle on the front panel board. See Figure 24.
- B. Remove the Secondary IDE Cable labeled J3 from its connector receptacle on the front panel board. See Figure 24.
- C. Remove the Front Panel Cable labeled J1 from its connector receptacle on the front panel board. See Figure 24.
- D. Remove the front panel power connector from its connector receptacle on the front panel board. See Figure 24.

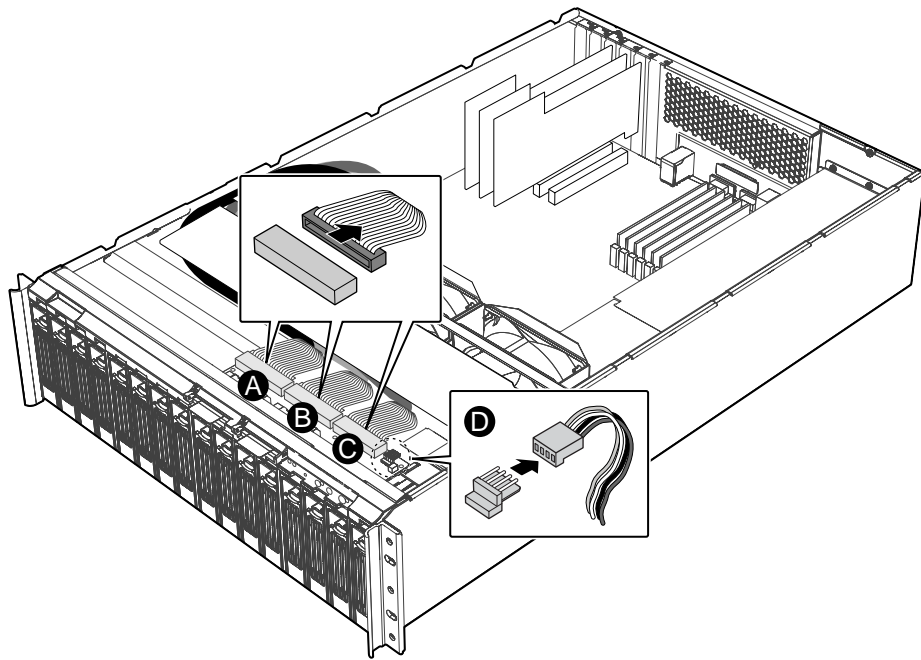


Figure 24. Removing Front Panel Cables

Remove Front Panel Cables from Baseboard

- A. Remove the Primary IDE Cable connector labeled J2J2 from its connector receptacle on the baseboard. See Figure 25.
- B. Remove the Secondary IDE Cable connector labeled J1J4 from its connector receptacle on the baseboard. See Figure 25.
- C. Remove the Front Panel Cable connector labeled J1J2 from its header on the baseboard. See Figure 25.

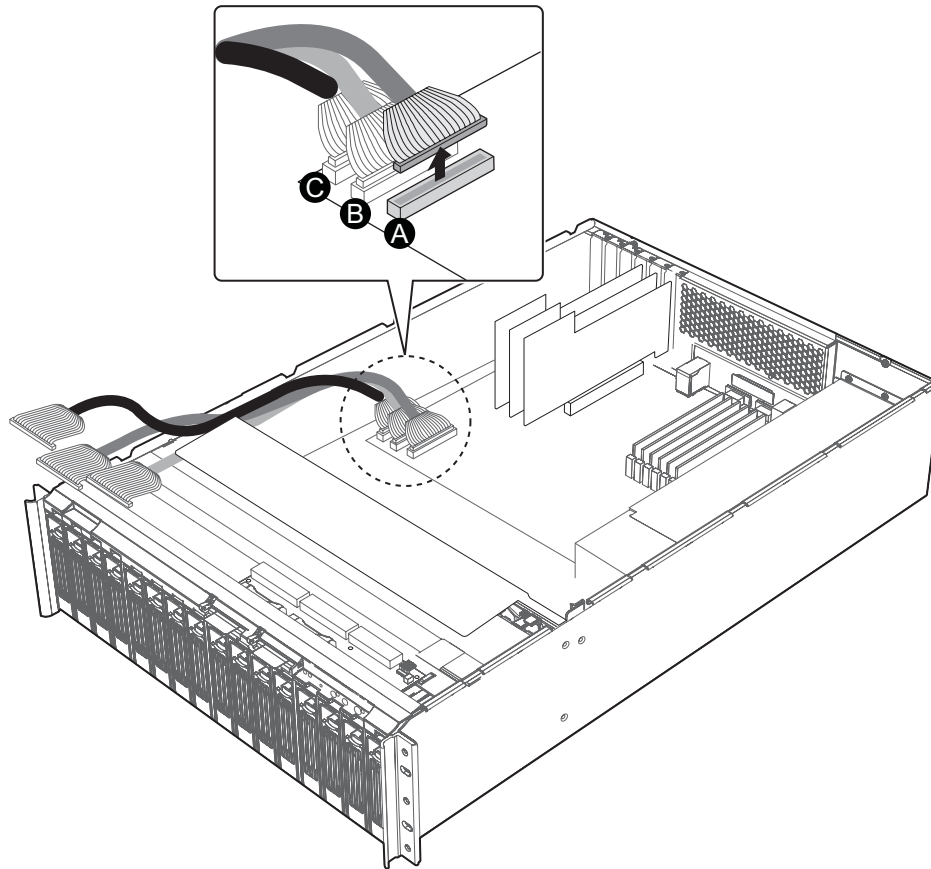


Figure 25. Removing Front Panel Cables from Baseboard

Install Front Panel Cables on Baseboard

- A. Open the Front Panel Cables package that is part of the new FMJCABLES Cable Kit. Route the front panel cables along the side of the chassis in the same way that the original front panel cables were routed. Connect the Primary IDE Cable labeled J2J2 to its connector receptacle on the baseboard. See Figure 26.
- B. Connect the Secondary IDE Cable labeled J1J4 to its connector receptacle on the baseboard. See Figure 26.
- C. Connect the Front Panel Cable labeled J1J2 to its header on the baseboard. See Figure 26.

NOTE: The color of the mesh sheath of the Primary IDE Cable is blue. The blue Primary IDE Cable connects to the blue baseboard connector receptacle. The color of the mesh sheath of Secondary IDE Cable is white. The white Primary IDE Cable connects to the white baseboard connector receptacle. The color of the mesh sheath of Front Panel Cable is black. The black Primary IDE Cable connects to the black baseboard header.

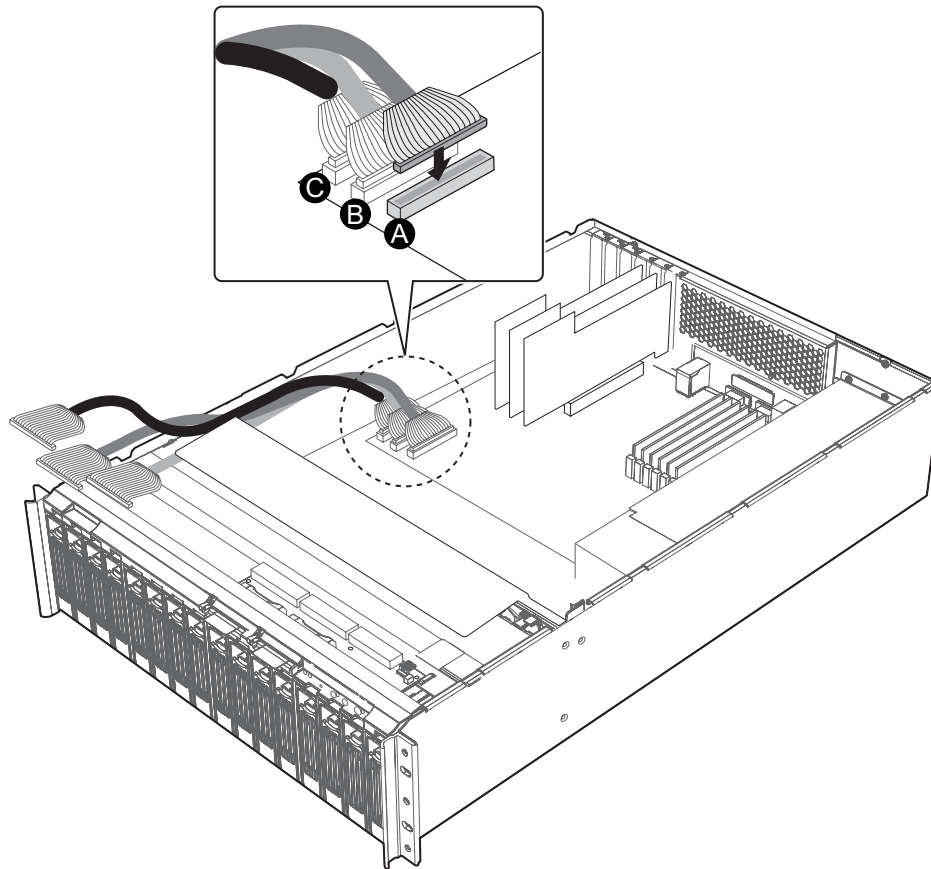


Figure 26. Installing Front Panel Cables on Baseboard

Re-seat Front Panel Board Cables

- A. Re-seat the Front Panel Cable labeled J1 into its connector receptacle on the front panel board. See Figure 27.
- B. Re-seat the Secondary IDE Cable labeled J3 into its connector receptacle on the front panel board. See Figure 27.
- C. Re-seat the Primary IDE Cable labeled J5 into its connector receptacle on the front panel board. See Figure 27.
- D. Re-seat the front panel power connector into its connector receptacle on the front panel board. See Figure 27.

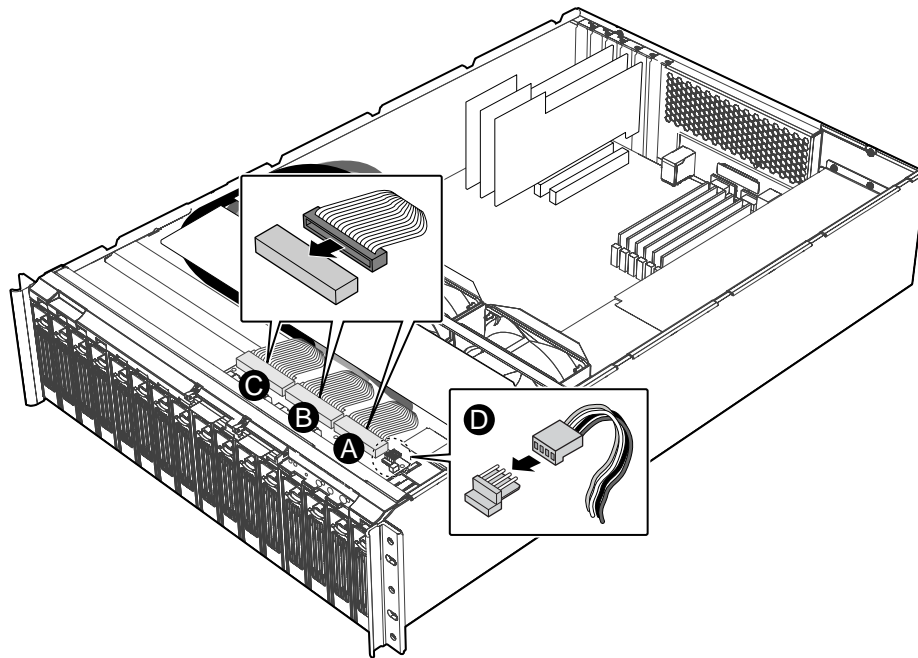


Figure 27. Re-seating Front Panel Board Cables

Finishing Up

- A. Facing the front of the system, insert the chassis cover into its slot. Push the top cover forward until it reaches the front of the system. See Figure 28.
- B. Tighten the two thumb screws on the back of the chassis cover. See Figure 28.
- C. Re-attach the AC power cables. See Figure 28.
- D. You can now power on the Intel® Storage System SSR316MJ2. See Figure 28.

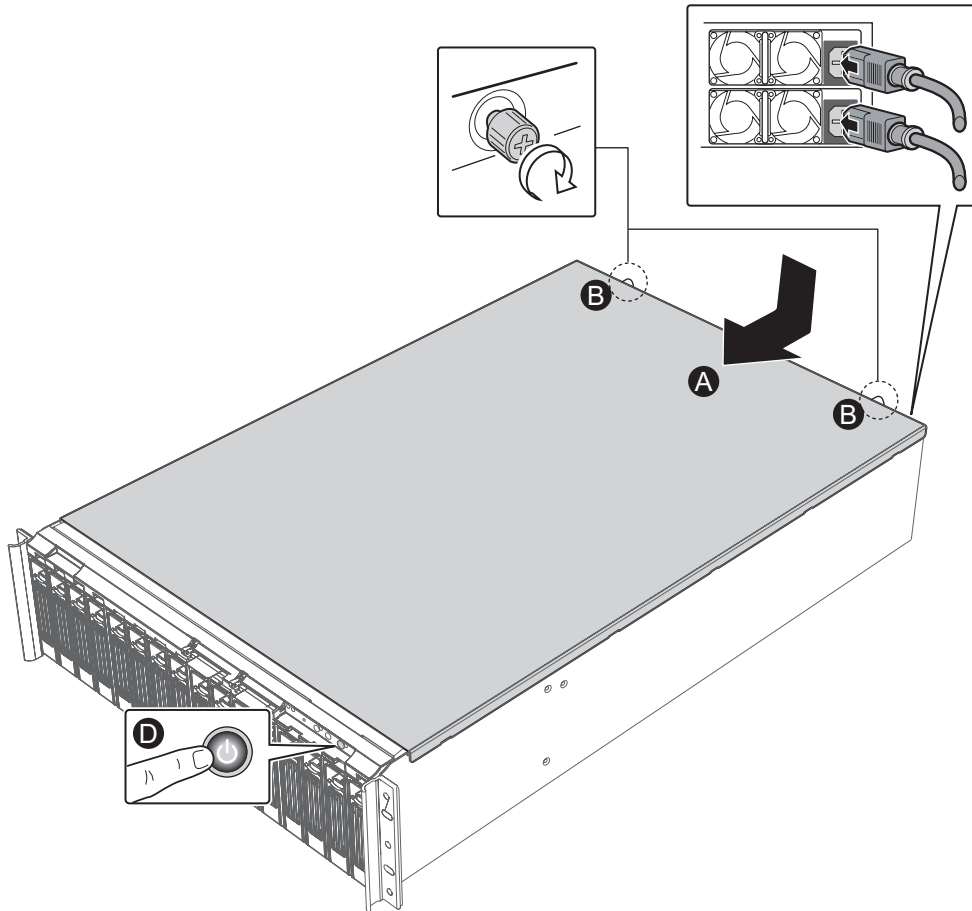


Figure 28. Re-attaching the Chassis Cover

I²C Cables Installation Procedures

Required Tools

- Cross-head (Number 1 Size Phillips*) screwdriver
- Wire cutters

Power Down System and Remove Chassis Cover

- From within the Intel® Storage System Console, power down your system.
- Remove both AC Power cords from the AC Power inputs on your system. See Figure 29.
- Loosen the two thumb screws from the top of the chassis cover. See Figure 29.
- Facing the front of the chassis, push the top cover rearward, and then lift it up to remove it.

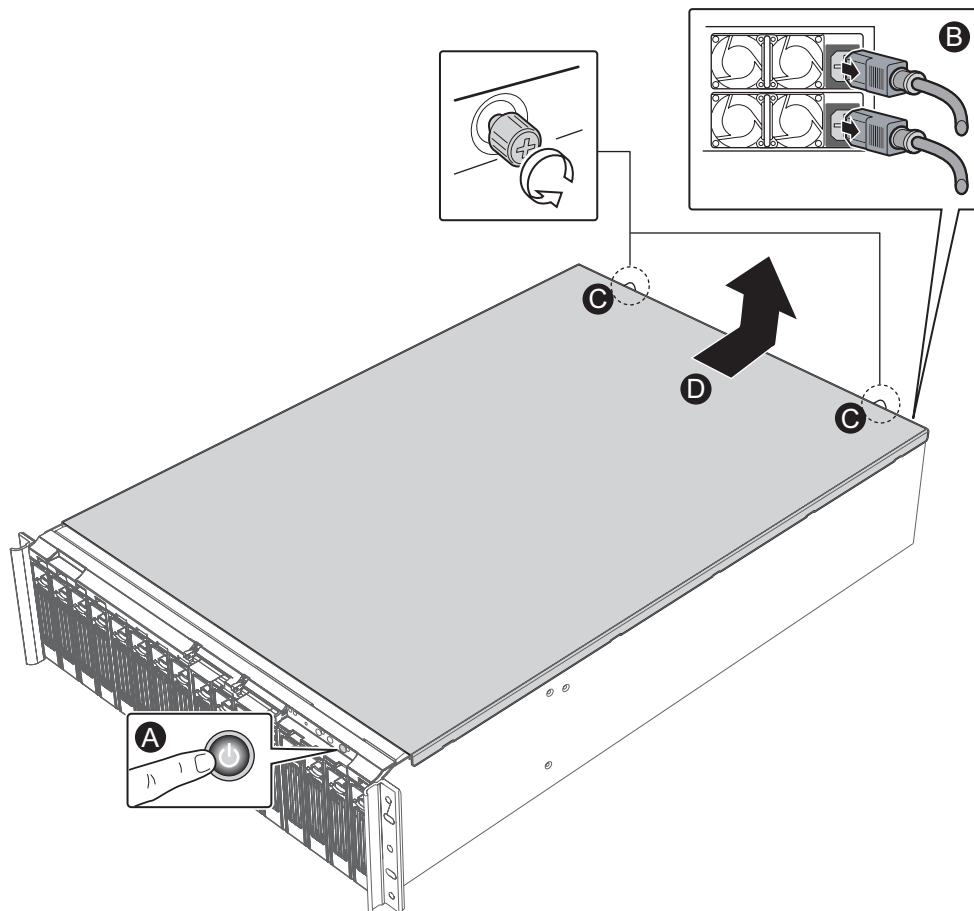


Figure 29. Removing Chassis Cover

Remove Front Panel Cables from Front Panel Board

- A. Remove the Primary IDE Cable labeled J5 from its connector receptacle on the front panel board. See Figure 30.
- B. Remove the Secondary IDE Cable labeled J3 from its connector receptacle on the front panel board. See Figure 30.
- C. Remove the Front Panel Cable labeled J1 from its connector receptacle on the front panel board. See Figure 30.
- D. Remove the front panel power connector from its connector receptacle on the front panel board. See Figure 30.
- E. Move the cables from underneath the fan assembly and backplane and away from the front part of the system.

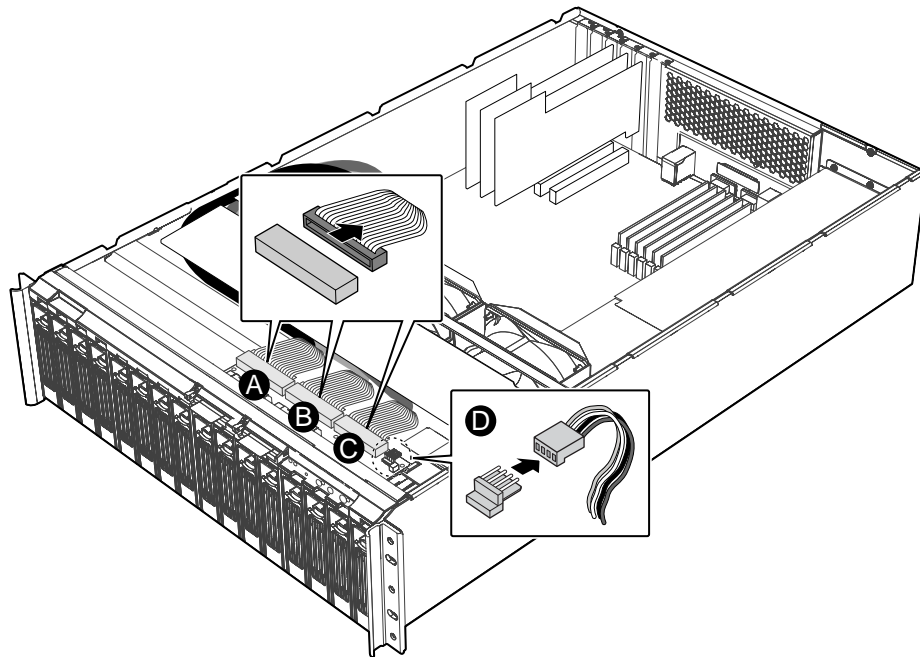


Figure 30. Removing Front Panel Cables

Remove Phillips Screws from Fan Assembly

- A. Using a Number 1 size Phillips Screwdriver, remove the Phillips screws (there is one screw on each side of the chassis) that hold the system fan assembly in place. See Figure 31. Set these screws aside. They will be re-installed later.

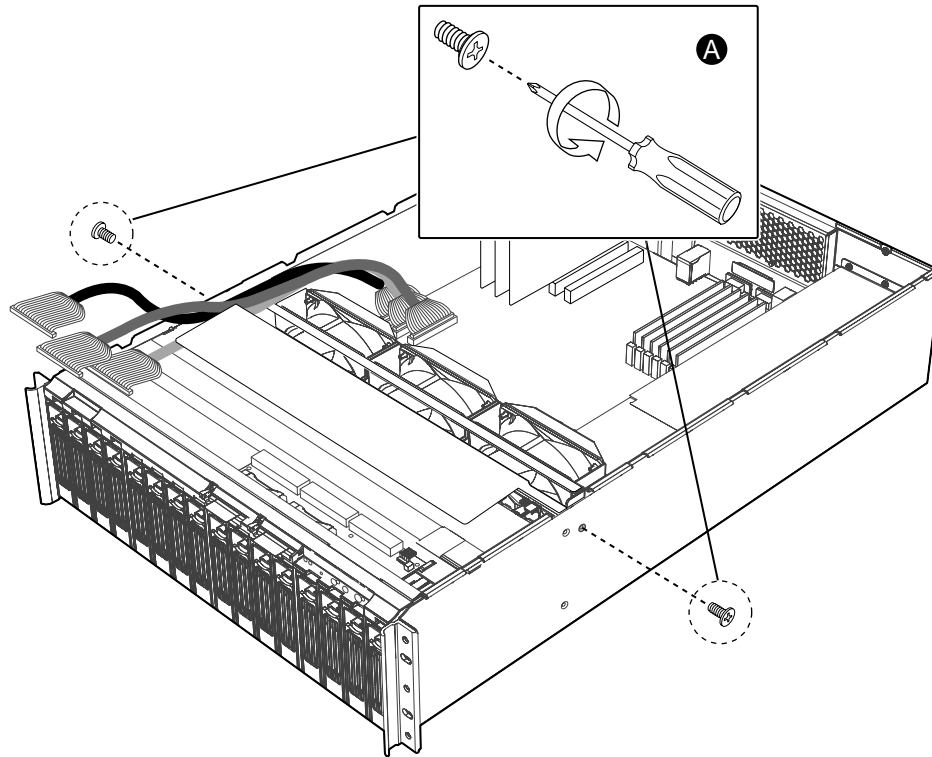


Figure 31. Removing Phillips Screws to Release the Fan Assembly

Remove Fan Connectors from Baseboard

- A. Remove the wire connector for Fan 5 from the baseboard. See Figure 32.
- B. Remove the wire connector for Fan 4 from the baseboard. See Figure 32.
- C. Remove the wire connector for Fan 3 from the baseboard. See Figure 32.

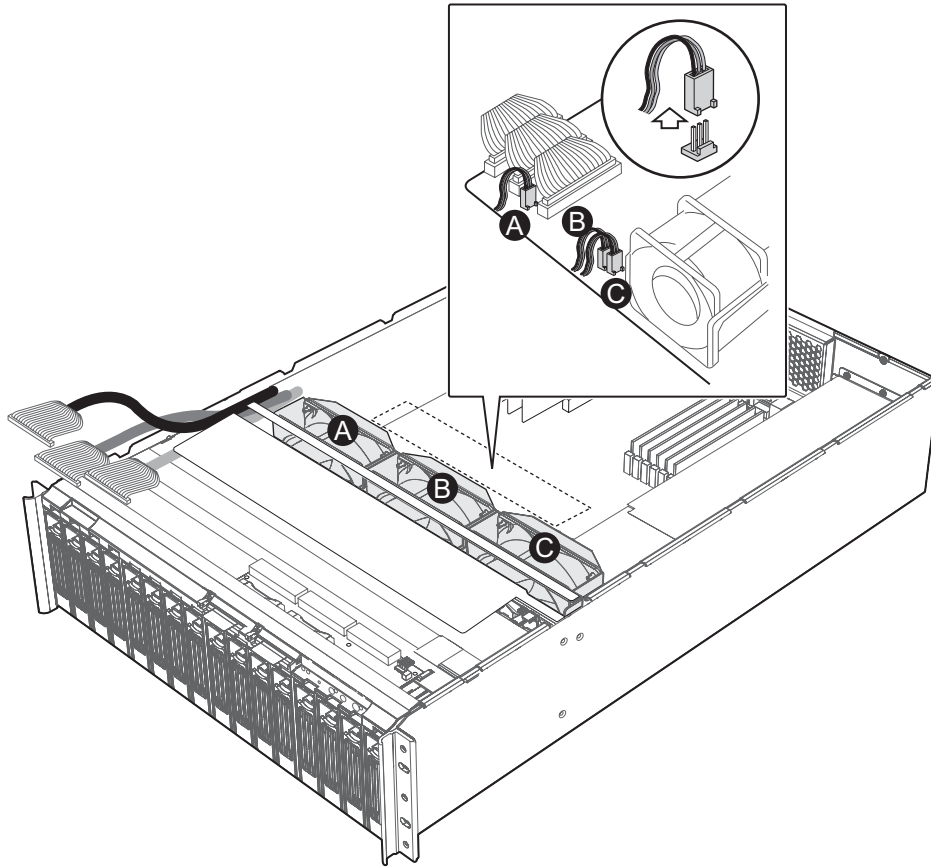


Figure 32. Removing Fan Connectors from the Baseboard

Remove Fan Assembly from the System

- A. Simultaneously pull up on both sides of the fan assembly and remove the fan assembly from the storage system. Set the system fan assembly on a static-free surface. See Figure 33.

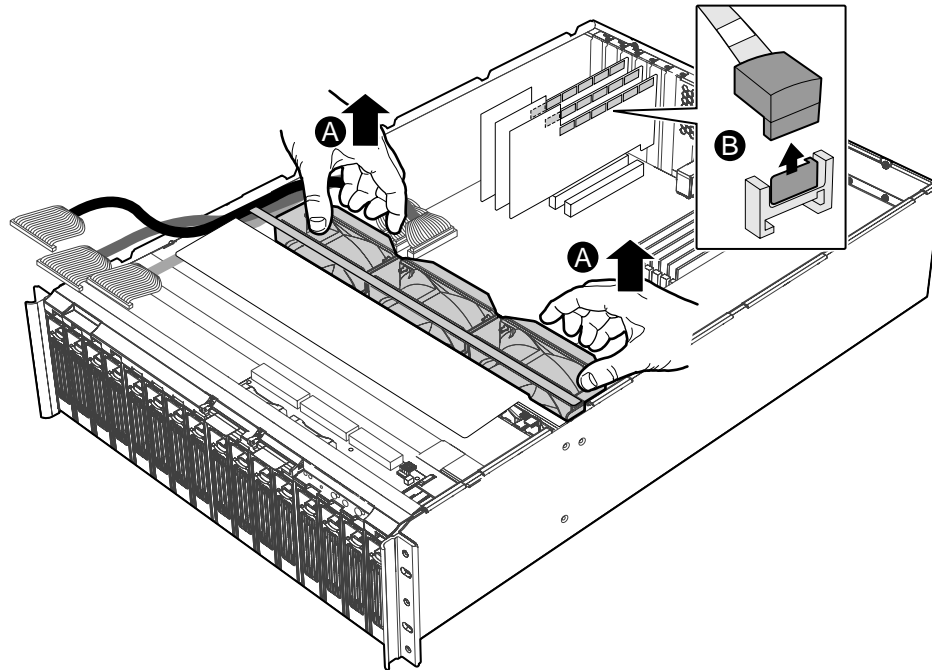


Figure 33. Removing Fan Assembly

Remove I²C Cables from System

- D. Make a note of the header positions of the three I²C Cable connectors. After installation of the SATA Cables has been completed, you will re-connect these connectors to the same headers. Carefully remove the I²C Cable connector labeled JP4 from its I²C Cable header on the backplane board. Carefully remove the I²C Cable connector labeled SL2J6 from its I²C Cable header in the HBA Card set. See Figure 34.
- E. Carefully remove the I²C Cable connector labeled JP6 from its I²C Cable header on the backplane board. Carefully remove the I²C Cable connector labeled SL3J6 from its I²C Cable header in the HBA Card set. See Figure 34.
- F. Carefully remove the I²C Cable connector labeled JP7 from its I²C Cable header on the backplane board. Carefully remove the I²C Cable connector labeled SL4J6 from its I²C Cable header in the HBA Card set. See Figure 34. Set the I²C Cable connectors on a static-free surface.

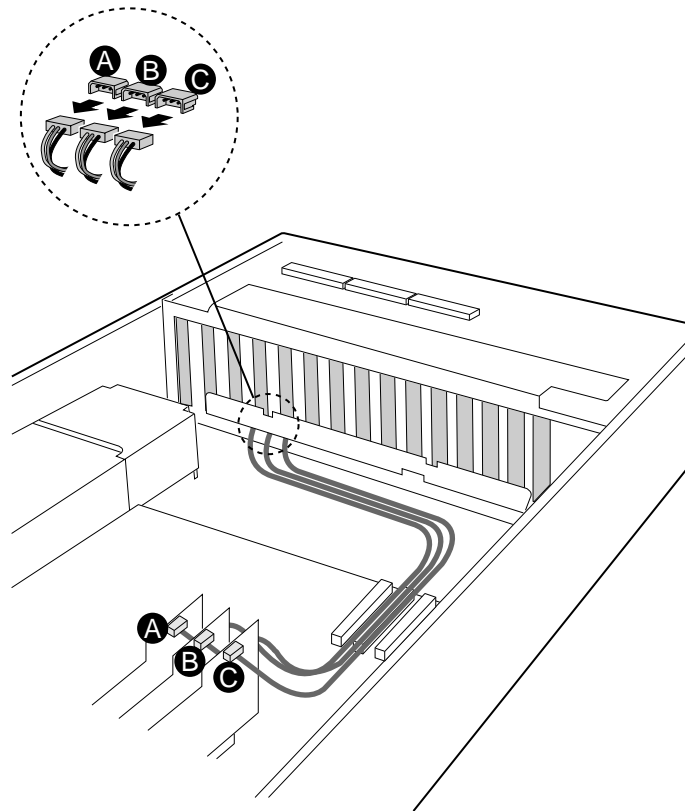


Figure 34. Removing the I²C Cables from the Backplane Board

Installing I²C Cables in the System

- A. Unpack the new I²C Cables that you received in your Intel[®] FMJCABLES Kit. Carefully re-connect the I²C Cable connector labeled JP4 to its header on the backplane board. Carefully re-connect I²C Cable connector labeled SL2J6 to its header in the HBA Card set. See Figure 35.
- B. Carefully re-connect the I²C Cable connector labeled JP6 to its header on the backplane board. Carefully re-connect I²C Cable connector labeled SL3J6 to its header in the HBA Card set See Figure 35.
- C. Carefully re-connect the I²C Cable connector labeled JP7 to its header on the backplane board. Carefully re-connect I²C Cable connector labeled SL4J6 to its header in the HBA Card set. Route the I²C Cables along the side of the chassis in the same way that the original I²C Cables were routed. See Figure 35.

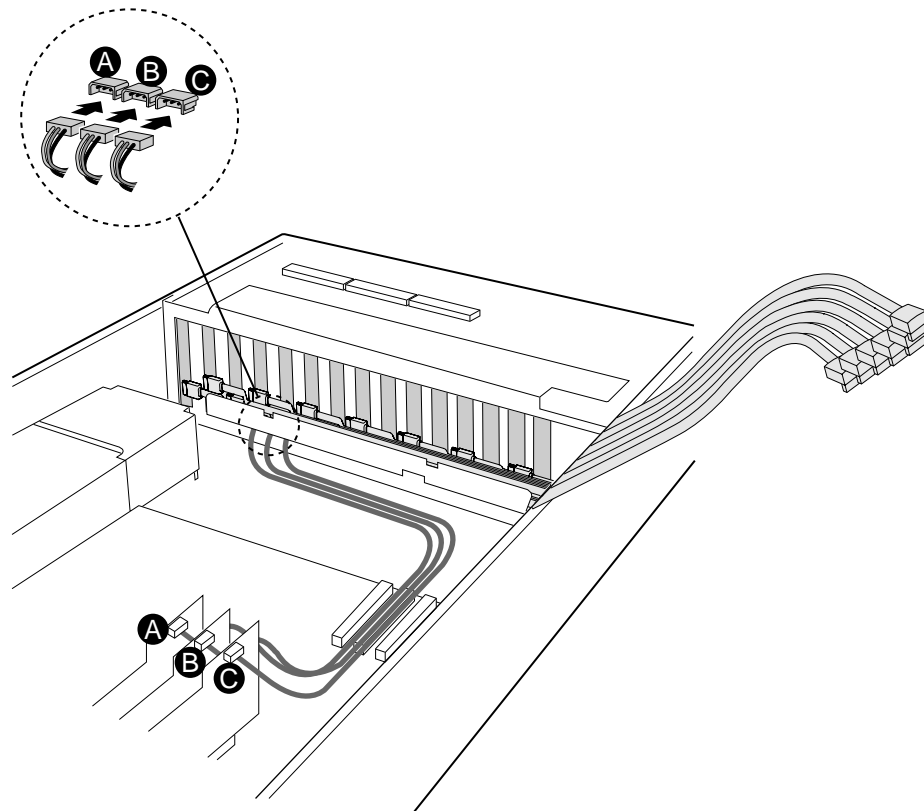


Figure 35. Installing I²C Cables

Re-insert Fan Assembly into System

- A. Remove any slack wires away from the space that is occupied by the fan assembly. Align the holes on the bottom edge of the fan assembly with the blue plastic brackets on the bottom of the chassis. Move the fan assembly into place. See Figure 36.

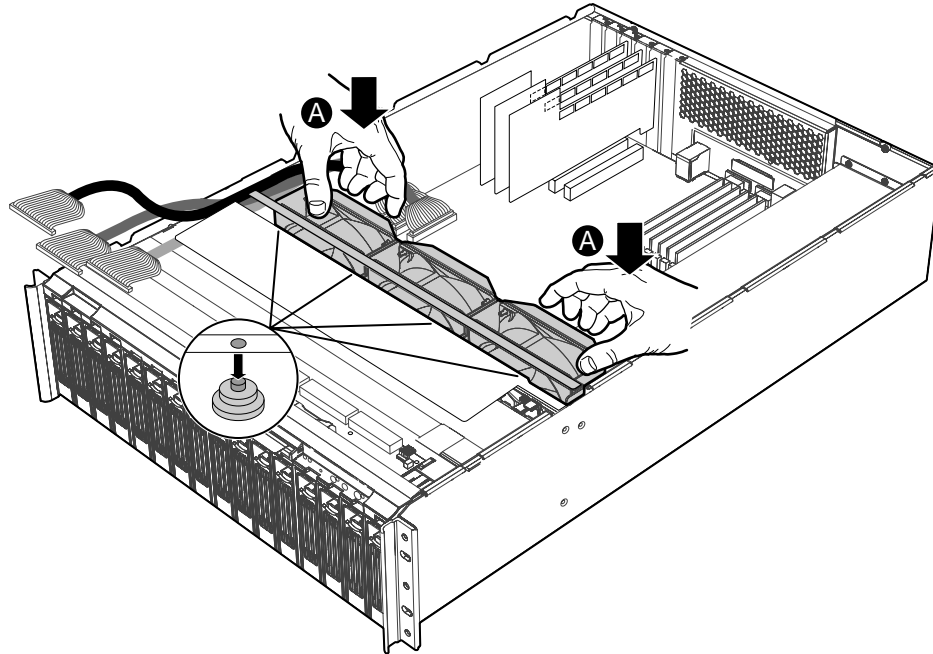


Figure 36. Re-inserting the Fan Assembly into the System

Re-attach Fan Assembly to System

- A. Using a Number 1 size Phillips Screwdriver, screw the Phillips screw on each side of the system into place so that the system fan assembly is mounted in the chassis. See Figure 37.

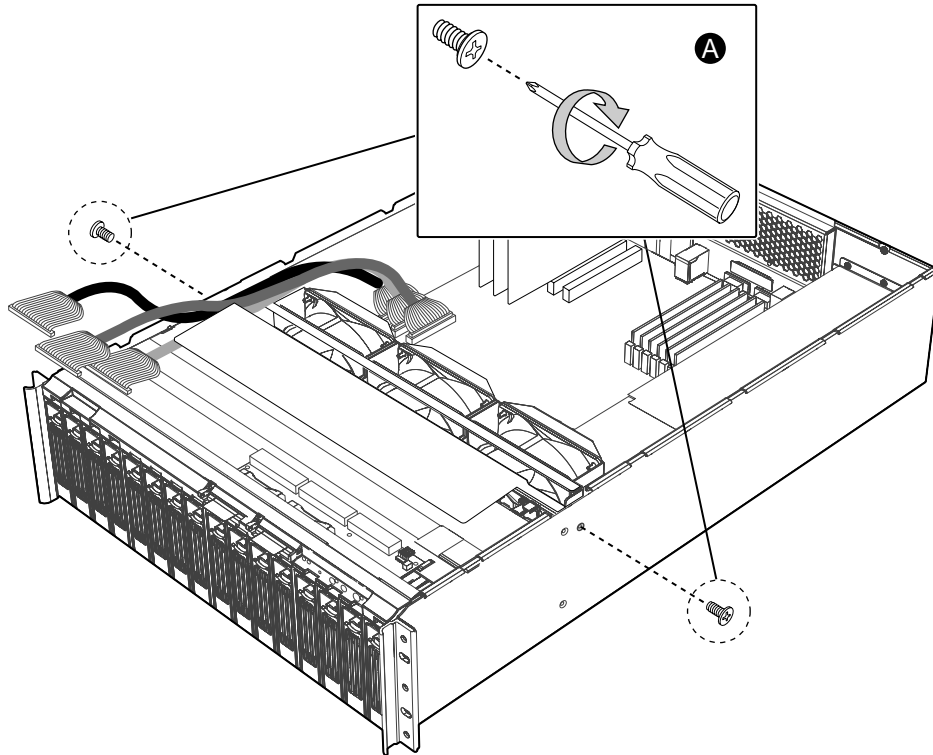


Figure 37. Re-attaching the Fan Assembly to the System

Re-attach System Fan Assembly Connectors to Baseboard

- A. Re-connect the wire connector for Fan 3 to the baseboard. See Figure 38.
- B. Re-connect the wire connector for Fan 4 to the baseboard. See Figure 38.
- C. Re-connect the wire connector for Fan 5 to the baseboard. See Figure 38.

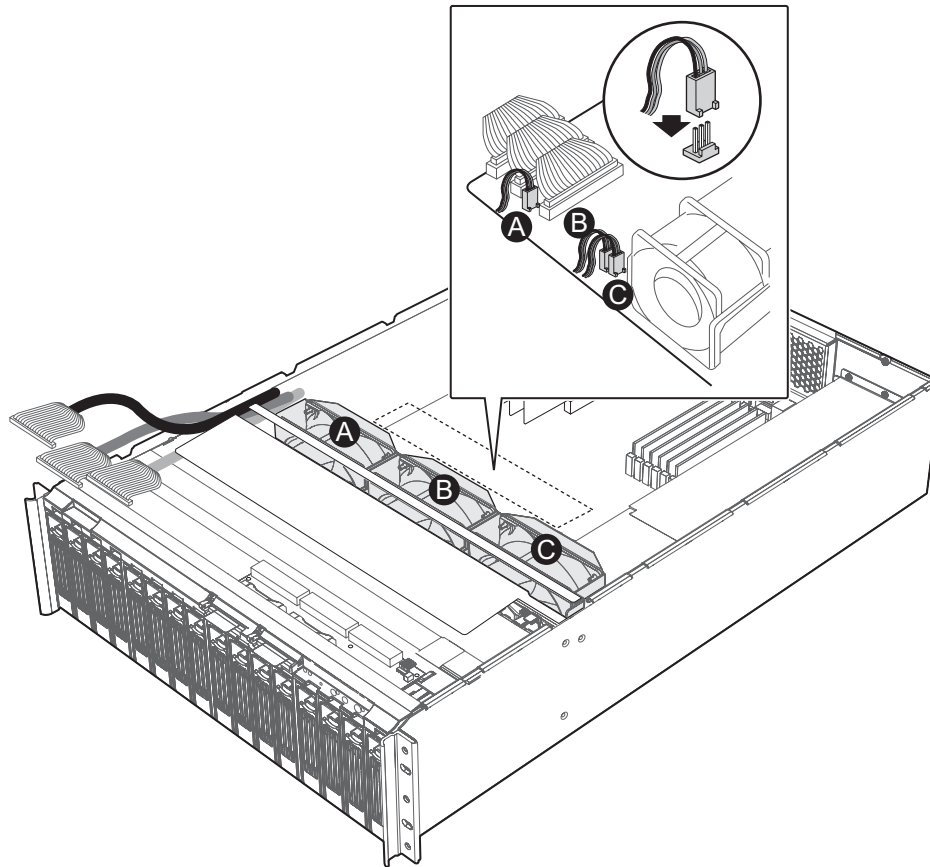


Figure 38. Re-attaching the System Fan Assembly Connectors

Re-seat Front Panel Board Cables

Once you have inserted and attached the new backplane board in your system, re-seat the front panel board cables. Complete the following steps.

- A. Re-seat the Front Panel Cable labeled J1 into its connector receptacle on the front panel board. See Figure 39.
- B. Re-seat the Secondary IDE Cable labeled J3 into its connector receptacle on the front panel board. See Figure 39.
- C. Re-seat the Primary IDE Cable labeled J5 into its connector receptacle on the front panel board. See Figure 39.
- D. Re-seat the front panel power connector into its connector receptacle on the front panel board. See Figure 39.

NOTE: The color of the mesh sheath of the Primary IDE Cable is blue. The blue Primary IDE Cable connects to the blue Front Panel Board connector receptacle. The color of the mesh sheath of Secondary IDE Cable is white. The white Primary IDE Cable connects to the grey Front Panel Board connector receptacle. The color of the mesh sheath of Front Panel Cable is black. The black Primary IDE Cable connects to the black Front Panel Board connector receptacle.

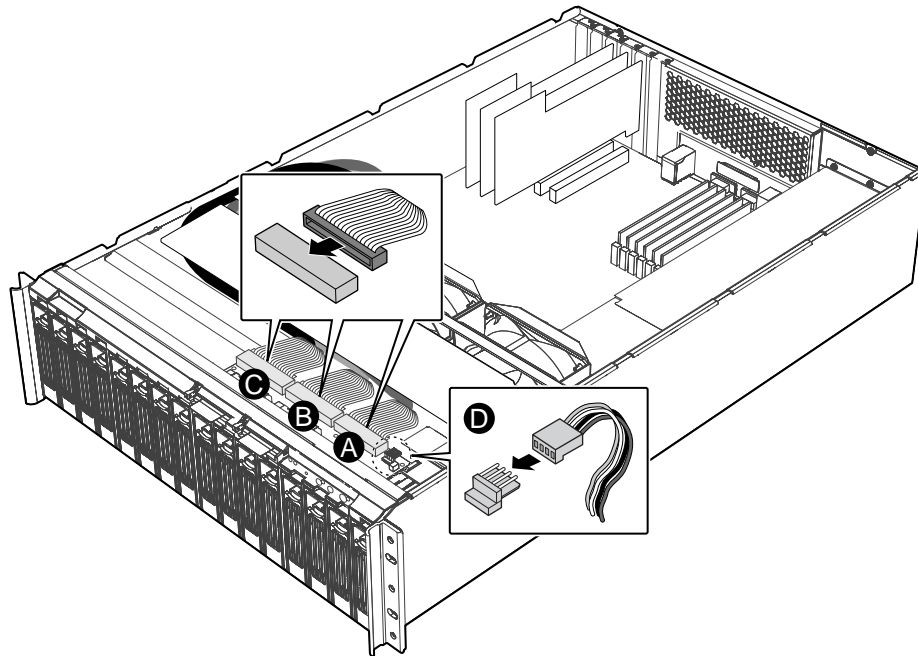


Figure 39. Re-seating Front Panel Board Cables

Finishing Up

- A. Facing the front of the system, insert the chassis cover into its slot. Push the top cover forward until it reaches the front of the system. See Figure 40.
- B. Tighten the two thumb screws on the back of the chassis cover. See Figure 40.
- C. Re-attach the AC power cables. See Figure 40.
- D. You can now power on the Intel® Storage System SSR316MJ2. See Figure 40.

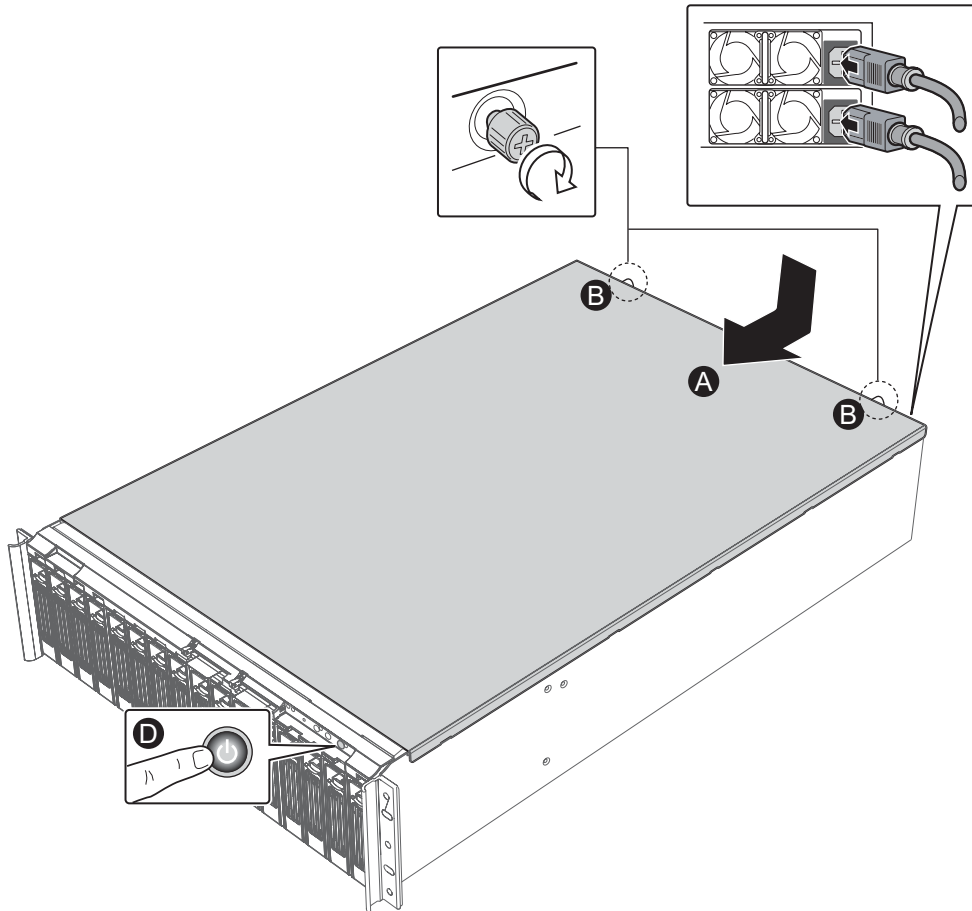


Figure 40. Re-attaching the Chassis Cover