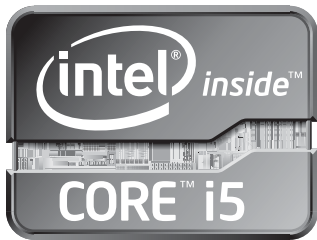

Intel® Core™ i5 Processor

- Installation Instructions
- Three Year Limited Warranty
- Intel Inside® Logo Label
(see back panel)





Halogen-Free: Applies only to halogenated flame retardants and PVC in components. Halogens are below 900 PPM bromine and 900 PPM chlorine.

Intel, the Intel logo, Intel Inside, the Intel Inside logo, Intel Core, and Core Inside are trademarks of Intel Corporation in the U.S. and other countries.

*Other names and brands may be claimed as the property of others.

Copyright © 2010 Intel Corporation. All rights reserved.

G12108-001



This processor is intended to be professionally installed. Before installing the processor, please review the additional integration notes available at <http://www.intel.com/support/processors/>. Take proper electrostatic discharge (ESD) precautions such as using appropriate ground straps, gloves, and ESD mats.



Ce processeur est dédié aux installations professionnelles. Avant d'installer le processeur, veuillez consulter les conseils d'intégration supplémentaires à l'adresse suivante: <http://www.intel.com/support/processors/>. Respectez les consignes appropriées en matière de décharges électrostatiques (ESD), comme l'utilisation de bandes de mise à la masse, de gants et de tapis de protection contre les décharges électrostatiques.



Dieser Prozessor sollte nur durch Fachpersonal installiert werden. Bevor Sie den Prozessor installieren, lesen Sie bitte die zusätzlichen Installationshinweise unter <http://www.intel.com/support/processors/>. Schützen Sie das Gerät vor elektrostatischen Entladungen, indem Sie Erdungsbänder, Handschuhe und Antistatikmatten verwenden.



Este procesador debe ser instalado por un profesional. Antes de instalar el procesador, revise las notas de integración adicionales disponibles en <http://www.intel.com/support/processors/>. Adopte las medidas de seguridad apropiadas para las descargas electrostáticas (ESD), como el uso de correas conectadas a tierra, guantes y esterillas de protección contra descargas.



Este processador deve ser instalado por um técnico especializado. Antes de instalar o processador, leia as observações adicionais de integração disponíveis em <http://www.intel.com/support/processors/>. Tome as devidas precauções contra descargas eletrostáticas usando as tiras de aterramento, luvas e tapetes antidescarga eletrostática apropriados.



Questo processore deve essere installato da personale qualificato. Prima di installare il processore, consultare la Guida all'integrazione disponibile all'indirizzo <http://www.intel.com/support/processors/>. Osservare le appropriate precauzioni relative alle scariche elettrostatiche (ESD), utilizzando ad esempio fascette di terra, guanti e tappetini ESD.



Prosesor ini harus dipasang secara profesional. Sebelum memasang prosesor, harap periksa kembali catatan tambahan yang tersedia di <http://www.intel.com/support/processors/>. Perhatikan tindakan pencegahan yang perlu dilakukan terhadap pelepasan muatan elektrostatis (ESD) misalnya dengan menggunakan pengaman ground yang sesuai, sarung tangan karet dan alas pelindung ESD.



Procesor ten przeznaczony jest do instalacji przez specjalistę. Przed instalacją procesora prosimy zapoznać się z dodatkowymi wskazówkami dotyczącymi integracji urządzenia, które dostępne są w sieci Internet pod adresem <http://www.intel.com/support/processors/>. Aby zapobiec wyładowaniu elektrostatycznemu należy zastosować odpowiednie środki ostrożności, takie jak użycie właściwych opasek uziemiających, rękawic i mat przewodzących.



Монтаж процессора должен выполняться специалистом. Перед монтажом процессора рекомендуется ознакомиться с дополнительными указаниями по интеграции, приведенными на Web-сайте <http://www.intel.com/support/processors/>. При монтаже следует принимать надлежащие меры для защиты от электростатического разряда (ЭСР): использовать соответствующие заземленные браслеты, перчатки и антистатические коврики для защиты от ЭСР.



本處理器旨在由專業人員進行安裝。在安裝處理器之前，請先瀏覽 <http://www.intel.com/support/processors/> 網站，參閱其他有關整合注意事項之說明。請務必採取必要的靜電放電 ESD 預防措施，例如使用適當的接地腕帶、穿戴手套和使用防靜電護墊等。



此处理器应由专业人员安装。安装处理器之前，请查看 <http://www.intel.com/support/processors/> 网页载列的附加整合说明。采取适当的预防措施，防止静电释放 (ESD)，例如使用合适的接地带、手套和 ESD 护垫。



본 프로세서의 설치에는 전문가의 도움이 필요합니다. 프로세서를 설치하기 전에, <http://www.intel.com/support/processors/> 에서 제공되는 추가 설치 정보를 참조하십시오. 접지 스트랩, 장갑 및 정전기 방전(ESD) 매트 등과 같은 적절한 사전 ESD, 주의 조치를 취하십시오.



本製品は、専門家のインストールを必要とします。プロセッサをインストールする前に、<http://www.intel.com/support/processors/> でインストールに関する補足説明を確認してください。なお、接地ストラップ、手袋、静電気マットなど、適切な静電気防止策をご使用ください。



โปรเซสเซอร์นี้ได้รับการออกแบบสำหรับการติดตั้งโดยมืออาชีพเท่านั้น ก่อนติดตั้งโปรเซสเซอร์ โปรดอ่านหมายเหตุเกี่ยวกับการผนวกเพิ่มเติมที่ <http://www.intel.com/support/processors/> โปรดดำเนินการป้องกันลวงหน้าที่เหมาะสมในการคายประจุไฟฟ้าสถิต (ESD) โดยใช้แถบรัดคอสายกราวด์ ถุงมือ หรือแผ่น ESD.



Bộ xử lý này được sản xuất để lắp đặt theo cách chuyên nghiệp. Trước khi lắp đặt bộ xử lý, vui lòng xem lại những ghi chú thêm trên trang web <http://www.intel.com/support/processors/>. Hãy thực hiện các khuyến nghị về quy trình khử tĩnh điện (ESD) tương ứng, ví dụ như sử dụng dây nối đất, găng tay và tấm ESD đúng phương pháp.

Intel® Turbo Boost Technology

Intel® Turbo Boost Technology requires a computer system with a processor, BIOS, and operating system designed for this feature. Performance will vary depending on your configuration. Contact the component vendor for more information. See www.intel.com/technology/turboboost/.

La technologie Turbo Boost d'Intel® requiert un système dont le processeur, le BIOS, et le système d'exploitation ont été conçus pour prendre en charge cette caractéristique. Les performances varient en fonction de votre configuration. Contactez le fournisseur du composant pour obtenir plus d'informations. Consultez la page www.intel.com/technology/turboboost/.

Die Intel® Turbo-Boost-Technik erfordert ein Computersystem mit einem Prozessor, ein BIOS und ein Betriebssystem, die für diese Funktionalität ausgelegt sind. Die Leistung variiert in Abhängigkeit von Ihrer Konfiguration. Weitere Informationen erhalten Sie von Ihrem Komponentenanbieter. Siehe www.intel.com/technology/turboboost/.

La tecnología Intel® Turbo Boost requiere un sistema de computación con un procesador, BIOS y un sistema operativo diseñados para esta característica. El rendimiento variará dependiendo de su configuración. Para obtener más información, comuníquese con el proveedor de los componentes. Visite www.intel.com/technology/turboboost/.

A tecnologia Intel® Turbo Boost requer um computador com um processador, um BIOS e um sistema operacional projetados para esse recurso. O desempenho variará, dependendo de sua configuração. Entre em contato com o fornecedor do componente para obter mais informações. Consulte www.intel.com/technology/turboboost/.

Per Intel® Turbo Boost Technology è necessario un computer con processore, BIOS e sistema operativo appositamente progettati per questa tecnologia. Le prestazioni variano a seconda della configurazione. Per ulteriori informazioni, contattare il fornitore dei componenti. Visitare il sito seguente: www.intel.com/technology/turboboost/.

Technologia Intel® Turbo Boost wymaga systemu komputerowego z procesorem, BIOS-em i systemem operacyjnym stworzonym z myślą o tej funkcji. Wydajność będzie się różnić w zależności od konfiguracji. W celu uzyskania dalszych informacji należy skonsultować się z dostawcą swojego systemu. Więcej informacji: www.intel.com/technology/turboboost/.

Технология Intel® Turbo Boost требует наличия компьютерной системы с процессором, системой BIOS и операционной системой, поддерживающими эту технологию. Производительность зависит от конфигурации вашей системы. Более подробную информацию можно получить у поставщика компонентов. Посетите веб-сайт по адресу: www.intel.com/technology/turboboost/.

Intel® Turbo Boost Technology (Intel® 渦輪加速技術) 需要電腦系統備有為此功能所設計的處理器、BIOS 及操作系統。取決於電腦設定，系統性能表現將會有所不同。想了解更多資訊，請洽詢組件廠商。請參訪 www.intel.com/technology/turboboost/。

Intel® Turbo Boost Technology (英特尔® 智能加速技术) 要求计算机系统配备为此功能而设计的处理器、BIOS 和操作系统。取决于您的配置，性能会有所不同。欲了解更详尽信息，请与组件供应商接洽。请查阅 www.intel.com/technology/turboboost/。

인텔® 터보 부스트 기술에는 이 기능을 위해 설계된 프로세서, BIOS 및 운영 체제를 갖춘 컴퓨터가 필요합니다. 시스템의 구성에 따라 성능은 달라지게 됩니다. 자세한 내용은 부품 판매점에 문의하십시오. www.intel.com/technology/turboboost/를 참조하십시오.

インテル® ターボ・ブースト・テクノロジーを利用するには、この機能用に設計されたプロセッサ、BIOS、オペレーティング・システムを搭載したコンピューター・システムが必要です。性能はシステム構成によって異なります。詳細については、システムメーカーにお問い合わせください。この機能については、www.intel.com/technology/turboboost/をご覧ください。

Boxed Intel® Processor Installation Instructions

NOTE: Installation instructions are not part of the Three Year Limited Warranty.

REMARQUE: les consignes d'installation ne font pas partie de la garantie limitée de trois ans.

HINWEIS: Die Installationsanleitung ist nicht Teil der eingeschränkten Dreijahresgarantie.

NOTA: Las instrucciones para la instalación no están incluidas en la Garantía limitada de tres años.

OBSERVAÇÃO: As instruções de instalação não fazem parte da garantia limitada de três anos.

NOTA: le istruzioni per l'installazione non sono comprese nella Garanzia limitata di tre anni.

CATATAN: Petunjuk pemasangan ini bukan bagian dari Jaminan Terbatas Tiga Tahun.

UWAGA: Instrukcja instalacji nie jest częścią ograniczonej trzyletniej gwarancji.

ПРИМЕЧАНИЕ: инструкция по монтажу не является частью трехлетней ограниченной гарантии.

備註: 安裝說明不屬於三年有限售後保證的一部份。

注: 安裝說明并非三年有限质保之一部分。

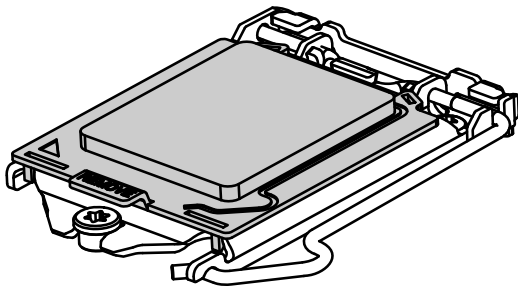
주: 설치 지침은 3년 제한 보증에 포함되지 않습니다.

備考: このインストール説明書は3年間の限定保証の一部ではありません。

หมายเหตุ: คู่มือการติดตั้งไม่ได้เป็นส่วนหนึ่งของการรับประกันแบบจำกัดระยะเวลาสามปี

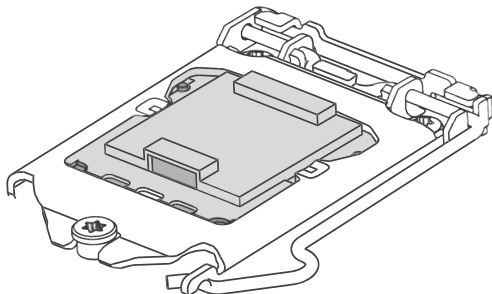
Lưu ý: Hướng dẫn lắp đặt này không phải là một phần trong chế độ Bảo hành Giới hạn Ba Năm.

Version A:

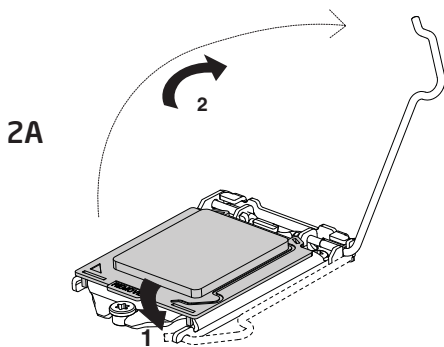
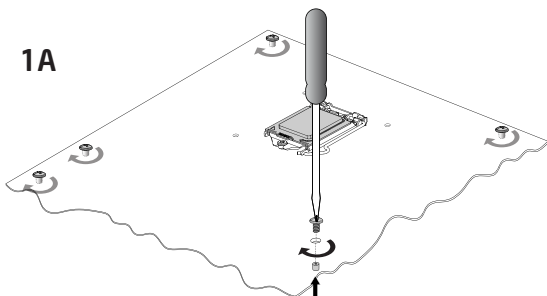


OR

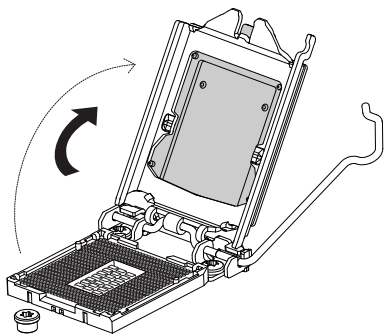
Version B:



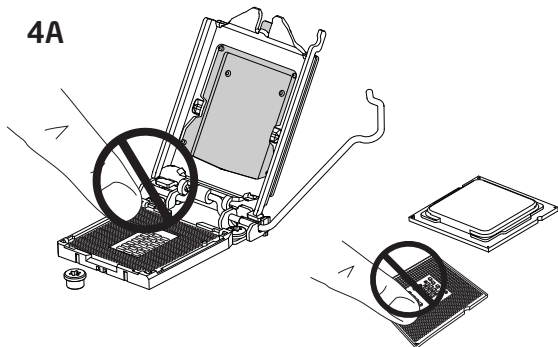
Version A



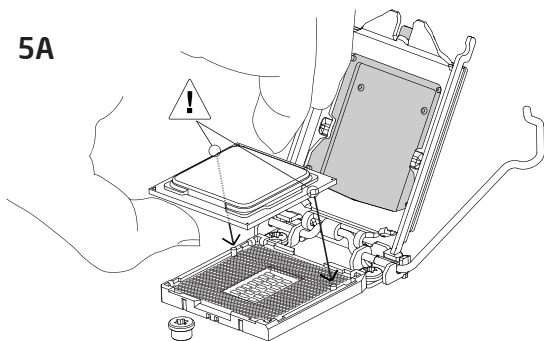
3A



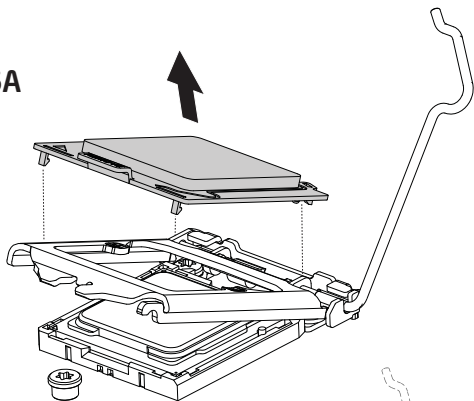
4A



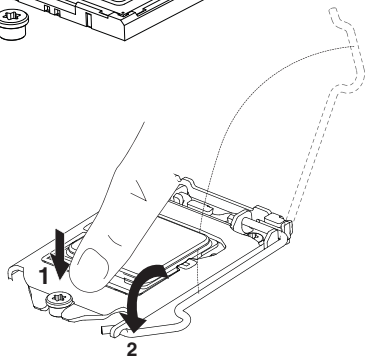
5A



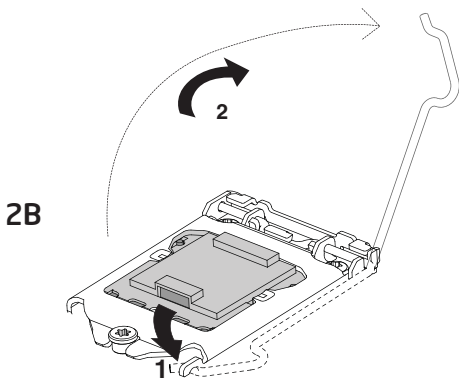
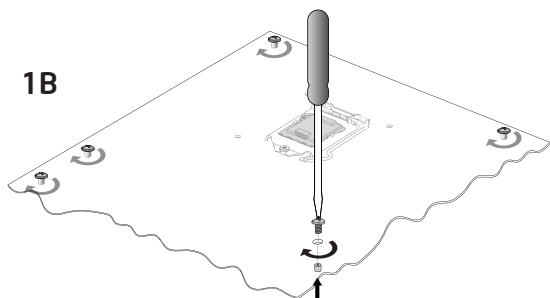
6A



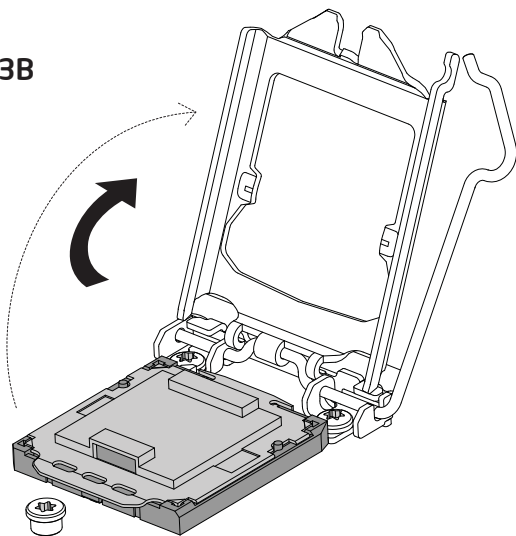
7A



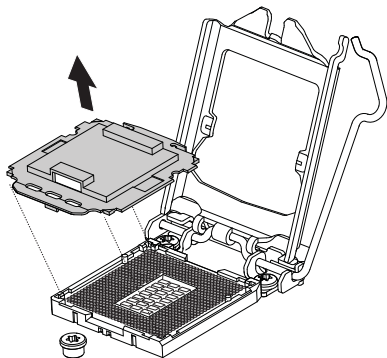
Version B



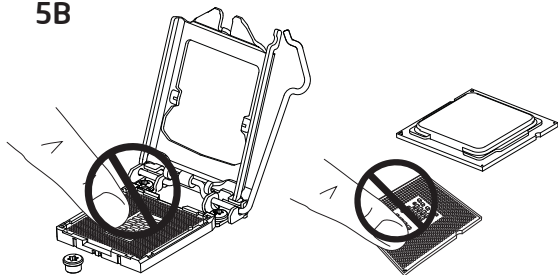
3B



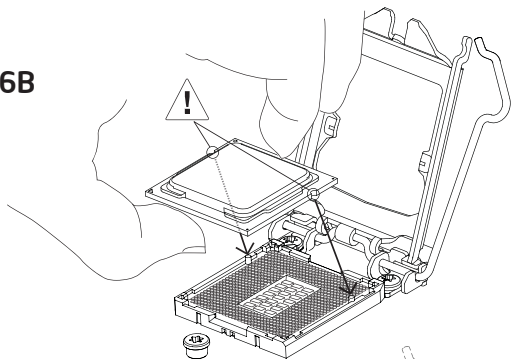
4B



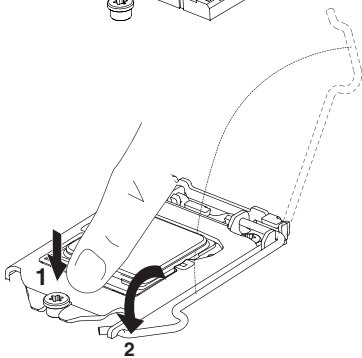
5B



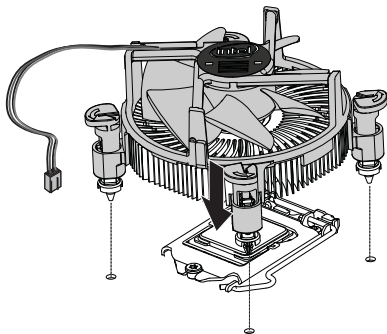
6B



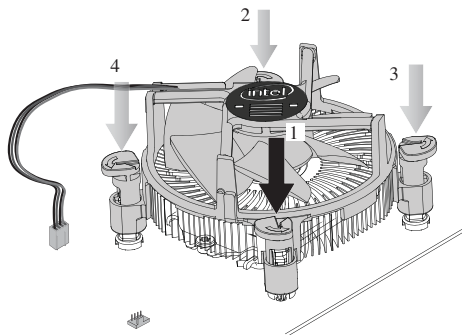
7B



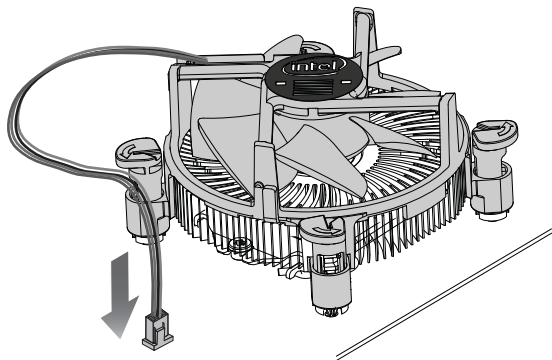
8



9

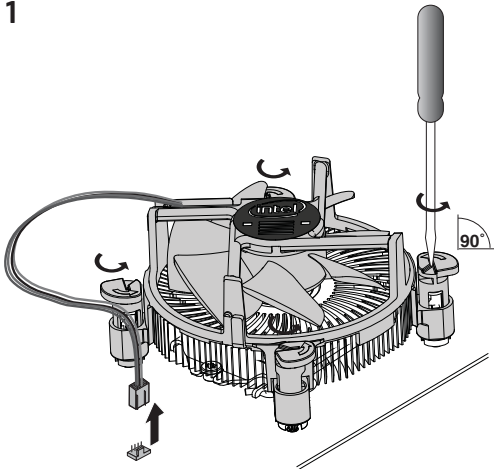


10

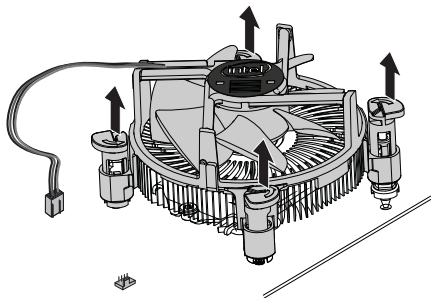


Boxed Intel® Processor Removal Instructions

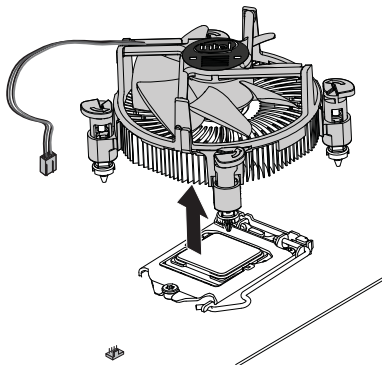
1



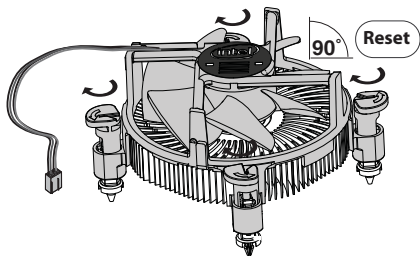
2



3



4



关于符合中国《电子信息产品污染控制管理办法》的声明
Management Methods on Control of Pollution from Electronic Information Products
(China RoHS declaration)
产品中有毒有害物质的名称及含量



部件名称 (Parts)	有毒有害物质或元素					
	铅 (Pb)	汞 (Hg)	镉 (Cd)	六价铬 (Cr6+)	多溴联苯 (PBB)	多溴二苯醚 (PBDE)
中央处理器 Central Processor Unit (CPU)	0	0	0	0	0	0
散热解决方案 Thermal Solution	X	0	0	0	0	0

○：表示该有毒有害物质在该部件所有均质材料中的含量均在 SJ/T 11363-2006 标准规定的限量要求以下。

○：Indicates that this hazardous substance contained in all homogeneous materials of this part is below the limit requirement in SJ/T 11363-2006.

x：表示该有毒有害物质至少在部件的某一均质材料中的含量超出 SJ/T 11363-2006 标准规定的限量要求。

x：Indicates that this hazardous substance contained in at least one of the homogeneous materials of this part is above the limit requirement in SJ/T 11363-2006.

对销售之日的所售产品,本表显示我公司供应链的电子产品信息产品可能包含这些物质。注意：在所售产品中可能会也可能不会含有所有列出的部件。

This table shows where these substances may be found in the supply chain of our electronic information products, as of the date of sale of the enclosed product. Note that some of the component types listed above may or may not be a part of the enclosed product.

LIMITED WARRANTY

Intel warrants to the purchaser of the Product (defined herein as the boxed Intel® processor and the accompanying thermal solution) in its original sealed packaging ("Original Purchaser") and to the purchaser of a computer system built by an Original Purchaser containing the Product ("Original System Customer") as follows: if the Product is properly used and installed, it will be free from defects in material and workmanship, and will substantially conform to Intel's publicly available specifications for a period of three (3) years beginning on the date the Product was purchased in its original sealed packaging in the case of an Original Purchaser, and for a period of three (3) years beginning on the date of purchase of a computer system containing the Product for an Original System Customer. If the Product, which is the subject of this Limited Warranty, fails to conform to the above warranty during the warranty period, Intel, at its option, will:

REPAIR the Product by means of hardware and/or software; **OR**

REPLACE the Product with another product; **OR**, if Intel is unable to repair or replace the Product,

REFUND the then-current value of the Product at the time a claim for warranty service is made to Intel under this Limited Warranty.

THIS LIMITED WARRANTY, AND ANY IMPLIED WARRANTIES THAT MAY EXIST UNDER APPLICABLE STATE, NATIONAL, PROVINCIAL OR LOCAL LAW, APPLY ONLY TO YOU AS THE ORIGINAL PURCHASER OF THE PRODUCT OR COMPUTER SYSTEM THAT INCLUDES THE PRODUCT AND LASTS ONLY FOR AS LONG AS YOU CONTINUE TO OWN THE PRODUCT. WARRANTY COVERAGE TERMINATES IF THE ORIGINAL SYSTEM CUSTOMER SELLS OR OTHERWISE TRANSFERS THE COMPUTER SYSTEM WHICH INCLUDES THE PRODUCT.

WARNING: Altering clock frequency and/or voltage may: (i) reduce system stability and useful life of the system and processor; (ii) cause the processor and other system components to fail; (iii) cause reductions in system performance; (iv) cause additional heat or other damage; and (v) affect system data integrity. Intel has not tested, and does not warrant, the operation of the processor beyond its specifications. Intel assumes no responsibility that the processor, including if used with altered clock frequencies and/or voltages, will be fit for any particular purpose.

EXTENT OF LIMITED WARRANTY

Intel does not warrant that the Product will be free from design defects or errors known as "errata." Current characterized errata are available upon request. Further, this Limited Warranty does NOT cover:

- any costs associated with the repair or replacement of the Product including labor, installation or other costs incurred by you, and in particular, any costs

relating to the removal or replacement of any Product that is soldered or otherwise permanently affixed to any printed circuit board; **OR**

- damage to the Product due to external causes, including accident, problems with electrical power, abnormal electrical, mechanical or environmental conditions, usage not in accordance with product instructions, misuse, neglect, alteration, repair, improper installation, or improper testing; **OR**
- any Product which has been modified or operated outside of Intel's publicly available specifications or where the original identification markings (trademark or serial number) has been removed, altered or obliterated from the Product.

HOW TO OBTAIN WARRANTY SERVICE

To obtain warranty service for the Product (whether purchased in its original sealed packaging or as part of a computer system), you may contact your original place of purchase in accordance with its instructions or you may contact Intel.

To request warranty service from Intel, you must contact the Intel Customer Support ("ICS") center in your region within the warranty period during normal business hours (local time), excluding holidays and return the Product (the boxed Intel® processor and accompanying thermal solution) to the designated ICS center. (See back cover for information regarding how to contact ICS in your region.) Please be prepared to provide: (1) your name, mailing address, email address and telephone numbers; (2) proof of purchase; (3) model name and product identification number found on the Product; (4) if applicable, a description of the computer system including the brand and model; and (5) an explanation of the problem. The ICS representative may need additional information from you depending on the nature of the problem.

Upon ICS's verification that the Product is eligible for warranty service, you will be issued a Return Material Authorization ("RMA") number and provided with instructions for returning the Product to the designated ICS center. When you return the Product to the ICS center, you must include the RMA number on the outside of the package. Intel will not accept any returned Product without an RMA number, or that has an invalid RMA number, on the package. You must deliver the returned Product to the designated ICS center in the original or equivalent packaging, with shipping charges pre-paid, and assume the risk of damage or loss during shipment. Freight charges and/or handling fees may apply if the Product for which you are requesting warranty services was not sold via authorized distribution in your country/Region. (For a definition of country/Region, contact the ICS center in your region or go to www.intel.com/support.)

Intel may elect to repair or replace the Product with either a new or reconditioned Product or components, as Intel deems appropriate. The repaired or replaced product will be

shipped to you at the expense of Intel within a reasonable period of time after receipt of the returned Product by ICS. The returned Product shall become Intel's property on receipt by ICS. The replacement product is warranted under this written warranty and is subject to the same limitations and exclusions for ninety (90) days or the remainder of the original warranty period, whichever is longer. If Intel replaces the Product, the Limited Warranty period for the replacement Product is not extended.

WARRANTY LIMITATIONS AND EXCLUSIONS

THIS WARRANTY REPLACES ALL OTHER WARRANTIES FOR THE PRODUCT AND INTEL DISCLAIMS ALL OTHER WARRANTIES, EXPRESS OR IMPLIED INCLUDING, WITHOUT LIMITATION, THE IMPLIED WARRANTIES OF MERCHANTABILITY, FITNESS FOR A PARTICULAR PURPOSE, NONINFRINGEMENT, COURSE OF DEALING AND USAGE OF TRADE. Some states (or jurisdictions) do not allow the exclusion of implied warranties so this limitation may not apply to you. ALL EXPRESS AND IMPLIED WARRANTIES ARE LIMITED IN DURATION TO THE LIMITED WARRANTY PERIOD. NO WARRANTIES APPLY AFTER THAT PERIOD. Some states (or jurisdictions) do not allow limitations on how long an implied warranty lasts, so this limitation may not apply to you.

LIMITATIONS OF LIABILITY

INTEL'S RESPONSIBILITY UNDER THIS OR ANY OTHER WARRANTY, IMPLIED OR EXPRESS, IS LIMITED TO REPAIR, REPLACEMENT OR REFUND, AS SET FORTH ABOVE. THESE REMEDIES ARE THE SOLE AND EXCLUSIVE REMEDIES FOR ANY BREACH OF WARRANTY. TO THE MAXIMUM EXTENT PERMITTED BY LAW, INTEL IS NOT RESPONSIBLE FOR ANY DIRECT, SPECIAL, INCIDENTAL, OR CONSEQUENTIAL DAMAGES RESULTING FROM ANY BREACH OF WARRANTY OR UNDER ANY OTHER LEGAL THEORY (INCLUDING, BUT NOT LIMITED TO, LOST PROFITS, DOWNTIME, GOODWILL, DAMAGE TO OR REPLACEMENT OF EQUIPMENT AND PROPERTY, AND ANY COSTS OF RECOVERING, REPROGRAMMING, OR REPRODUCING ANY PROGRAM OR DATA STORED IN OR USED WITH A SYSTEM CONTAINING THE PRODUCT), EVEN IF INTEL HAS BEEN ADVISED OF THE POSSIBILITY OF SUCH DAMAGES. Some states (or jurisdictions) do not allow the exclusion or limitation of incidental or consequential damages, so the above limitations or exclusions may not apply to you.

THIS LIMITED WARRANTY GIVES YOU SPECIFIC LEGAL RIGHTS, AND YOU MAY ALSO HAVE OTHER RIGHTS THAT VARY BY STATE OR JURISDICTION.

ANY AND ALL DISPUTES ARISING UNDER OR RELATED TO THIS LIMITED WARRANTY SHALL BE ADJUDICATED IN THE FOLLOWING FORUMS AND GOVERNED BY THE

FOLLOWING LAWS: FOR THE UNITED STATES OF AMERICA, CANADA, NORTH AMERICA AND SOUTH AMERICA, THE FORUM SHALL BE SANTA CLARA, CALIFORNIA, USA AND THE APPLICABLE LAW SHALL BE THAT OF THE STATE OF DELAWARE. FOR THE ASIA PACIFIC REGION (EXCEPT FOR MAINLAND CHINA), THE FORUM SHALL BE SINGAPORE AND THE APPLICABLE LAW SHALL BE THAT OF SINGAPORE. FOR EUROPE AND THE REST OF THE WORLD, THE FORUM SHALL BE LONDON AND THE APPLICABLE LAW SHALL BE THAT OF ENGLAND AND WALES.

IN THE EVENT OF ANY CONFLICT BETWEEN THE ENGLISH LANGUAGE VERSION AND ANY OTHER TRANSLATED VERSION(S) OF THIS LIMITED WARRANTY (WITH THE EXCEPTION OF THE SIMPLIFIED CHINESE VERSION), THE ENGLISH LANGUAGE VERSION SHALL CONTROL.

GARANTIE LIMITÉE

Intel garantit à l'acheteur du Produit (défini ici comme étant le processeur Intel® dans son coffret et la solution thermique qui l'accompagne) dans son emballage d'origine non ouvert (« Acheteur original ») et à l'acheteur d'un système informatique construit par un Acheteur original contenant le Produit (« Client système original ») ce qui suit: si le Produit est correctement utilisé et installé, il sera exempt de tout défaut de matériel et de fabrication et sera conforme aux spécifications publiées par Intel, pendant une durée de trois (3) ans à compter de la date d'achat du Produit dans son emballage original fermé, dans le cas d'un Acheteur original, et pendant une durée de trois (3) ans à compter de la date d'achat d'un système informatique contenant le Produit pour un Client système original. Si le Produit couvert par la présente Garantie limitée n'est pas conforme à la garantie ci-dessus pendant la période de garantie, Intel a le choix entre:

RÉPARER le Produit au moyen de matériel informatique et/ou de logiciels ; **OU**

REMPLENER le Produit par un autre produit; **OU**, si Intel ne peut pas le réparer ni le remplacer,

REMBOURSER le Produit à sa valeur au moment où une demande de service sous garantie est adressée à Intel dans le cadre de cette Garantie limitée.

LA PRÉSENTE GARANTIE LIMITÉE, ET TOUTES LES GARANTIES TACITES ÉVENTUELLEMENT PRÉVUES PAR LE DROIT APPLICABLE AU NIVEAU DES ÉTATS, AU NIVEAU NATIONAL, AU NIVEAU PROVINCIAL OU AU NIVEAU LOCAL, NE S'APPLIQUENT QU'À VOUS EN TANT QU'ACHETEUR ORIGINAL DU PRODUIT OU DU SYSTÈME INFORMATIQUE QUI COMPREND LE PRODUIT, ET EXPIRENT DÈS QUE VOUS N'ÊTES PLUS PROPRIÉTAIRE DU PRODUIT. LA COUVERTURE DE LA GARANTIE PREND FIN SI LE CLIENT SYSTÈME ORIGINAL VEND OU TRANSFÈRE DE TOUTE AUTRE MANIÈRE LE SYSTÈME INFORMATIQUE QUI COMPREND LE PRODUIT.

ATTENTION: Toute modification de la fréquence d'horloge et/ou de la tension peut : (i) réduire la stabilité du système et la durée de vie utile du système et du processeur ; (ii) entraîner une défaillance du processeur et d'autres composants du système ; (iii) réduire les performances du système ; (iv) entraîner une augmentation de chaleur ou d'autres dégâts ; et (v) compromettre l'intégrité des données du système. Intel n'a pas testé et ne garantit aucunement le bon fonctionnement de la mémoire au-delà de ses spécifications. Intel décline toute responsabilité quand à l'adéquation du processeur pour un usage particulier, y compris en cas d'utilisation après modification des fréquences d'horloge et/ou des tensions.

ÉTENDUE DE LA GARANTIE LIMITÉE

Intel ne garantit pas l'absence de défauts ou d'erreurs de conception, appelés « errata », au sein du Produit. La liste des errata actuellement connus est disponible sur demande. De plus, la présente garantie limitée NE couvre PAS:

- les frais associés à la réparation ou au remplacement du Produit, y compris les frais de main d'œuvre, d'installation ou autres frais encourus par vous, et en particulier, tous les frais ayant trait à l'enlèvement ou au remplacement de tout Produit qui est soudé ou fixé de façon permanente par un autre moyen à une carte à circuits imprimés; **OU**
- les dommages du Produit dus à des causes externes, notamment les accidents, problèmes d'alimentation électrique, conditions électriques, mécaniques ou environnementales anormales, utilisation non conforme au mode d'emploi du produit, négligences, modifications, réparations, ainsi qu'à une installation ou des tests inappropriés; **OU**
- un Produit qui a été modifié ou utilisé en dehors des spécifications publiées par Intel, ou sur lequel les marques d'identification originales (marque ou numéro de série) ont été enlevées, modifiées ou effacées.

COMMENT BÉNÉFICIER DES SERVICES DE LA GARANTIE

Pour bénéficier des services de garantie pour le Produit (qu'il ait été acheté dans son emballage original fermé ou dans un système informatique), vous pouvez contacter votre point de vente original, en suivant ses instructions, ou contacter Intel.

Pour bénéficier des services de garantie d'Intel, vous devez contacter le centre de support client Intel (« SCI ») dans votre région durant la période de garantie, pendant les heures ouvrables (heure locale), à l'exception des jours fériés, et renvoyer le Produit (le processeur Intel® dans son coffret et la solution thermique qui l'accompagne) au centre SCI désigné. (Reportez-vous à la couverture arrière pour savoir comment contacter le

SCI dans votre région). Nous vous demanderons : (1) vos nom, adresse postale, adresse électronique et numéros de téléphone ; (2) la preuve d'achat; (3) le nom du modèle et le numéro d'identification du produit se trouvant sur le Produit ; (4) le cas échéant, une description du système informatique, notamment la marque et le modèle ; et (5) une explication du problème. Selon la nature du problème, le représentant SCI pourra être amené à vous demander des informations supplémentaires.

Après vérification par le SCI que le Produit peut bénéficier des services de garantie, vous recevrez un numéro d'autorisation de renvoi de matériel (« ARM ») et des instructions pour renvoyer le Produit au centre SCI désigné. Lorsque vous renvoyez le Produit au centre SCI, vous devez inscrire le numéro ARM à l'extérieur du paquet. Intel n'acceptera aucun Produit renvoyé sans numéro ARM, ou avec un numéro ARM non valable, sur le paquet. Vous devez expédier le Produit renvoyé au centre SCI désigné dans son emballage original ou dans un emballage équivalent, en port payé et assumer les risques de dommages ou de perte au cours du transport. Des frais de transport et/ou de manutention pourraient être appliqués si le Produit pour lequel vous demandez des services de garantie n'a pas été vendu via des canaux de distribution autorisés dans votre Pays/Région (pour une définition de Pays/Région, contactez le centre ICS de votre région ou consultez la page www.intel.com/support.)

Intel pourra choisir de réparer ou de remplacer le Produit par un Produit ou des composants neufs ou reconditionnés, si cela est jugé approprié par Intel. Le produit réparé ou remplacé vous sera expédié aux frais d'Intel dans un délai raisonnable après réception du produit renvoyé par le SCI. Le Produit renvoyé deviendra la propriété d'Intel à sa réception par le SCI. Le produit de remplacement est couvert par la présente garantie et soumis aux mêmes limites et exclusions, pendant quatre-vingt-dix (90) jours ou pendant le délai de la garantie d'origine restant à courir, suivant la période la plus longue. Si Intel remplace le Produit, la durée de la Garantie limitée n'est pas allongée pour le Produit de remplacement.

LIMITES ET EXCLUSIONS DE LA GARANTIE

CETTE GARANTIE REMPLACE TOUTES LES AUTRES GARANTIES POUR LE PRODUIT ET INTEL REJETTE TOUTE AUTRE GARANTIE, EXPRESSE OU TACITE, NOTAMMENT LES GARANTIES IMPLICITES DE QUALITÉ MARCHANDE ET D'ADAPTABILITÉ À UNE UTILISATION PARTICULIÈRE, D'ABSENCE DE CONTREFAÇON, DE CONDUITE HABITUELLE ET D'USAGE DU COMMERCE. Certains états (ou juridictions) interdisent toutefois l'exclusion des garanties tacites et il est possible que la présente limite ne vous soit pas applicable. LA DURÉE DE TOUTES LES GARANTIES EXPRESSES ET TACITES EST LIMITÉE À CELLE DE LA GARANTIE LIMITÉE. APRÈS CE DÉLAI, AUCUNE

GARANTIE NE SERA PLUS EN VIGUEUR. Certains états (ou juridictions) interdisent toutefois de limiter la durée des garanties implicites et il est possible que la présente limite ne vous soit pas applicable.

LIMITES DE LA RESPONSABILITÉ

LA RESPONSABILITÉ D'INTEL AU TITRE DE LA PRÉSENTE GARANTIE OU DE TOUTE AUTRE GARANTIE, EXPRESSE OU TACITE, SE LIMITE À LA RÉPARATION, AU REMPLACEMENT ET AU REMBOURSEMENT MENTIONNÉS CI-DESSUS. CES DERNIERS REPRÉSENTENT LE SEUL ET UNIQUE RECOURS EN CAS DE RUPTURE DE LA GARANTIE. DANS TOUTE LA MESURE PERMISE PAR LA LOI, INTEL NE POURRA ÊTRE TENU POUR RESPONSABLE DES DOMMAGES DIRECTS, INDIRECTS OU SPÉCIAUX RÉSULTANT D'UNE RUPTURE DE LA GARANTIE OU D'UNE AUTRE THÉORIE JURIDIQUE (Y COMPRIS, MAIS SANS S'Y LIMITER, LES PERTES DE BÉNÉFICES, PÉRIODES D'INACTIVITÉ, PERTES DE CLIENTÈLE, DOMMAGES OU REMPLACEMENT DES BIENS ET ÉQUIPEMENTS, AINSI QUE FRAIS DE RÉCUPÉRATION, DE REPROGRAMMATION OU DE REPRODUCTION DES PROGRAMMES OU DONNÉES ENREGISTRÉS DANS OU UTILISÉS AVEC UN SYSTÈME CONTENANT LE PRODUIT), MÊME SI INTEL A ÉTÉ AVISÉ DE LA POSSIBILITÉ DE TELS DOMMAGES. Certains états (ou juridictions) interdisent toutefois de limiter ou d'exclure les dommages indirects ou consécutifs et il est possible que les présentes limites ou exclusions ne vous soient pas applicables.

LA PRÉSENTE GARANTIE LIMITÉE VOUS FAIT BÉNÉFICIER DE DROITS LÉGAUX PARTICULIERS ET IL EST POSSIBLE QUE CERTAINES JURIDICTIONS VOUS RECONNAISSENT D'AUTRES DROITS.

TOUT LITIGE SURVENANT DANS LE CADRE DE LA PRÉSENTE GARANTIE LIMITÉE OU AYANT TRAIT À CELLE-CI SERA JUGÉ DANS LES JURIDICTIONS SUIVANTES ET RÉGI PAR LES LOIS SUIVANTES: POUR LES ÉTATS-UNIS D'AMÉRIQUE, LE CANADA, L'AMÉRIQUE DU NORD ET L'AMÉRIQUE DU SUD, LA JURIDICTION SERA SANTA CLARA, EN CALIFORNIE, AUX ÉTATS-UNIS, ET LA LOI APPLICABLE SERA CELLE DE L'ÉTAT DU DELAWARE. POUR LA RÉGION DE L'ASIE ET DU PACIFIQUE (À L'EXCEPTION DE LA CHINE CONTINENTALE), LA JURIDICTION SERA SINGAPOUR ET LA LOI APPLICABLE SERA CELLE DE SINGAPOUR. POUR L'EUROPE ET LE RESTE DU MONDE, LA JURIDICTION SERA LONDRES ET LA LOI APPLICABLE SERA CELLE DE L'ANGLETERRE ET DU PAYS DE GALLES.

EN CAS DE CONFLIT ENTRE LA VERSION EN LANGUE ANGLAISE ET TOUTE AUTRE VERSION TRADUITE DE CETTE GARANTIE LIMITÉE (À L'EXCEPTION DE LA VERSION EN CHINOIS SIMPLIFIÉ), LA VERSION EN LANGUE ANGLAISE FERA FOI.

BESCHRÄNKTE GEWÄHRLEISTUNG

Intel gewährleistet dem Käufer des Produkts (des weiteren definiert als Boxed Intel® Prozessor und dazugehörige Thermal Lösung) bei versiegelter Originalverpackung ("Erstkäufer") sowie dem Käufer eines von einem Erstkäufer gebauten Computersystems, welches das Produkt beinhaltet ("Originalsystemkunde") folgendes: bei ordnungsgemäßem Gebrauch und korrekter Installation ist das Produkt im Falle eines Erstkäufers ab dem Kaufdatum des Produkts in der Originalverpackung für einen Zeitraum von drei (3) Jahren und im Falle eines Originalsystemkunden ab dem Kaufdatum eines das Produkt enthaltenden Computersystems für einen Zeitraum von drei (3) Jahren frei von Material- und Verarbeitungsmängeln und entspricht im Wesentlichen den öffentlich zugänglichen Spezifikationen von Intel. Sollte das durch diese beschränkte Gewährleistung abgedeckte Produkt im Laufe der Gewährleistungszeit aus Gründen, die unter die obigen Gewährleistungsbedingungen fallen, versagen, wird Intel nach eigenem Ermessen:

das Produkt mittels Hardware und/oder Software **REPARIEREN; ODER**

das Produkt durch ein anderes Produkt **ERSETZEN; ODER**, falls Intel sich außer Stande sieht, das Produkt zu reparieren oder zu ersetzen,

den unter dieser beschränkten Gewährleistung zum Zeitpunkt der Geltendmachung des Gewährleistungsanspruchs gegen Intel verbleibenden Wert des Produkts **ERSTATTEN.**

DIESE BESCHRÄNKTE GEWÄHRLEISTUNG SOWIE ALLE EVENTUELL UNTER DEM ANWENDBAREN STAATLICHEN RECHT, BUNDESSTAATLICHEN RECHT, LANDESRECHT ODER ÖRTLICHEN RECHT EXISTIERENDEN KONKLUDENTEN GEWÄHRLEISTUNGEN BEZIEHEN SICH NUR AUF SIE ALS DEN ERSTKÄUFER DES PRODUKTS ODER DES DAS PRODUKT ENTHALTENDEN COMPUTERSYSTEMS UND GELTEN NUR SO LANGE SIE EIGENTÜMER DES PRODUKTS SIND. VERÄUSSERT DER ORIGINALSYSTEMKUNDE DAS DAS PRODUKT ENTHALTENDE COMPUTERSYSTEM ODER TRANSFERIERT ER ES ANDERSWEITIG, ERLISCHT DIE GEWÄHRLEISTUNG.

WARNHINWEIS: Eine Veränderung der Taktfrequenz und/oder der Spannung kann: (i) die Systemstabilität und die Nutzungsdauer des Systems und des Prozessors reduzieren; (ii) einen Ausfall des Prozessors und anderer Systemkomponenten verursachen; (iii) eine Leistungsverminderung des Systems verursachen; (iv) zusätzliche Erhitzung oder andere Schäden hervorrufen; und (v) die Datenintegrität des Systems beeinträchtigen. Intel hat die Funktion des Prozessors außerhalb seiner Spezifikationen nicht getestet und übernimmt dafür keine Garantie. Intel übernimmt keine Verantwortung für die Eignung des Prozessors für einen bestimmten Zweck, insbesondere wenn dieser mit veränderten Taktfrequenzen und/oder Spannungen betrieben wird.

UMFANG DER BESCHRÄNKTEN GEWÄHRLEISTUNG

Intel gewährleistet nicht, dass das Produkt frei von Designfehlern oder von als "Errata" bekannten Fehlern ist. Bisher festgestellte Errata werden auf Anfrage verfügbar gemacht. Des weiteren erstreckt sich diese beschränkte Gewährleistung NICHT auf:

- jedwede Kosten, die Ihnen im Zusammenhang mit der Reparatur oder dem Ersatz des Produkts anfallen, einschließlich Kosten für verrichtete Arbeiten, Installationskosten oder andere Kosten, und insbesondere jedwede Kosten im Zusammenhang mit der Entfernung oder dem Ersatz aller Produkte, die an Leiterplatten gelötet oder anderweitig an Leiterplatten befestigt sind, **ODER**
- Produktschäden, die auf äußere Einwirkungen zurückzuführen sind, einschließlich Unfällen, Stromversorgungsproblemen, anormaler elektrischer, mechanischer oder Umgebungsbedingungen, nicht mit den Produktanleitungen übereinstimmenden Gebrauchs, Missbrauchs, Nachlässigkeit, Modifikationen, Reparaturen, unsachgemäßer Installation oder unsachgemäßen Testens; **ODER**
- alle Produkte, die modifiziert oder außerhalb der öffentlich zugänglichen Spezifikationen von Intel betrieben wurden und alle Produkte bei denen die Originalidentifikationsmarkierungen (Marke oder Seriennummer) entfernt, verändert oder unkenntlich gemacht wurden.

WIE KÖNNEN SIE DIESE GEWÄHRLEISTUNG IN ANSPRUCH NEHMEN?

Um die Gewährleistung für das Produkt in Anspruch zu nehmen (sowohl beim Kauf des Produkts in versiegelter Originalverpackung als auch als Teil eines Computersystems) setzen Sie sich bitte mit Ihrer Verkaufsstelle oder direkt mit Intel in Verbindung.

Um die Gewährleistung von Intel in Anspruch zu nehmen, müssen Sie sich innerhalb des Gewährleistungszeitraums mit Ihrem regionalen Intel Customer Support Center ("ICS Center") in Verbindung setzen (Ortszeit, normale Geschäftszeiten, außer sonn- und feiertags) und das Produkt (den Boxed Intel® Prozessor und die dazugehörige Thermalölösung) an das zugewiesene ICS Center senden. (Kontaktinformationen für Ihr regionales ICS Center finden Sie auf der Rückseite.) Bitte halten Sie folgende Informationen bereit: (1) Ihren Namen, Postanschrift, E-Mail-Adresse und Telefonnummern; (2) Kaufbescheinigung; (3) Modell und auf dem Produkt angegebene Produktidentifizierungsnummer; (4) ggf. eine Beschreibung des Computersystems einschließlich Hersteller und Modell; sowie (5) eine Erläuterung des aufgetretenen Problems. Je nach Art des Problems benötigen unsere ICS Mitarbeiter evtl. noch weitere Informationen.

Nachdem das ICS Center bestätigt hat, dass das Produkt unter die Gewährleistung fällt, erhalten Sie eine Genehmigungsnummer für die Rücksendung (Return Material Authorization, "RMA") und Anleitungen zum Rücksenden des Produkts an das zugewiesene

ICS Center. Beim Rücksenden des Produkts an das ICS Center muss die RMA-Nummer auf der Verpackung angegeben werden. Zurückgesendete Produkte, bei denen die RMA-Nummern auf der Verpackung fehlen oder ungültig sind, werden von Intel nicht angenommen. Sie müssen das rückzusendende Produkt in der Originalverpackung oder einer entsprechenden geeigneten Verpackung an das zugewiesene ICS Center senden, wobei die Portokosten im Voraus zu entrichten und sämtliche mit dem Transport verbundenen Beschädigungs- und Verlustrisiken von Ihnen zu tragen sind. Frachtkosten und/oder Bearbeitungsgebühren können anfallen, wenn das Produkt, zu dem Sie Garantieleistungen beantragen, nicht über einen autorisierten Fachhändler in Ihrem Land/Ihrer Region erworben wurde. (Um eine Definition des Begriffes "Land/Region" zu erhalten, wenden Sie sich an Ihr regionales ICS-Center oder besuchen Sie die Webseite www.intel.com/support.)

Das Produkt wird nach Intels Ermessen entweder repariert oder durch ein neues oder überholtes Produkt oder durch Produktkomponenten ersetzt. Das reparierte oder ersetzte Produkt wird auf Kosten Intels innerhalb einer angemessenen Frist nach dem Erhalt des rückgesendeten Produkts durch das ICS Center an Sie zurückgesendet. Nach dem Erhalt durch das ICS Center wird das rückgesendete Produkt Eigentum von Intel. Für das Ersatzprodukt gilt diese schriftliche Gewährleistung und das Ersatzprodukt unterliegt den gleichen Beschränkungen und Ausschlüssen für neunzig (90) Tage bzw. für die verbleibende Zeit des ursprünglichen Gewährleistungszeitraums (je nachdem, welche länger gültig ist). Wird das Produkt durch Intel ersetzt, wird die Laufzeit der beschränkten Gewährleistung für das Ersatzprodukt nicht verlängert.

GEWÄHRLEISTUNGSBESCHRÄNKUNGEN UND -AUSSCHLÜSSE

DIESE GEWÄHRLEISTUNG ERSETZT ALLE ANDEREN GEWÄHRLEISTUNGEN FÜR DAS PRODUKT, UND INTEL WEIST ALLE ANDEREN GEWÄHRLEISTUNGEN VON SICH, SOWOHL AUSDRÜCKLICHE ALS AUCH STILLSCHWEIGENDE, EINSCHLIESSLICH, JEDOCH OHNE EINSCHRÄNKUNG DER IMPLIZIERTEN GEWÄHRLEISTUNG FÜR MARKTGÄNGIGKEIT, EIGNUNG FÜR EINEN BESTIMMTEN ZWECK, AUSSCHLUSS DER VERLETZUNG VON RECHTEN DRITTER, HANDELSVERKEHR ODER HANDELSGEBRÄUCHEN. In einigen Staaten (oder Gerichtsbarkeiten) ist der Ausschluss stillschweigender Gewährleistungen unzulässig; daher trifft dieser Ausschluss möglicherweise nicht auf Sie zu. ALLE AUSDRÜCKLICHEN UND STILLSCHWEIGENDEN GEWÄHRLEISTUNGEN SIND ZEITLICH AUF DEN BESCHRÄNKTEN GEWÄHRLEISTUNGSZEITRAUM BESCHRÄNKT. NACH ABLAUF DIESER ZEIT GELTEN DIE GEWÄHRLEISTUNGEN NICHT MEHR. In einigen Staaten (oder Gerichtsbarkeiten) sind zeitliche Beschränkungen stillschweigender Gewährleistungsfristen unzulässig; daher trifft diese Beschränkung möglicherweise nicht auf Sie zu.

HAFTUNGSBESCHRÄNKUNGEN

INTELS HAFTUNG UNTER DIESER ODER ANDEREN, STILLSCHWEIGENDEN ODER AUSDRÜCKLICHEN, GEWÄHRLEISTUNGEN IST AUF DIE REPARATUR, DEN ERSATZ ODER DIE ERSTATTUNG BESCHRÄNKT, WIE OBEN ANGEGEBEN. DIESE ANSPRÜCHE STELLEN IHRE EINZIGEN UND AUSSCHLIESSLICHEN GEWÄHRLEISTUNGSANSPRÜCHE IM FALLE EINES GEWÄHRLEISTUNGSBRUCHES DAR. INTEL ÜBERNIMMT BIS ZUM MAXIMAL RECHTLICH ZULÄSSIGEN AUSMASS KEINERLEI VERANTWORTUNG FÜR EVENTUELL ENTSTEHENDE UNMITTELBARE, SPEZIELLE, MITTELBARE ODER FOLGESCHÄDEN, DIE AUF EINEM GEWÄHRLEISTUNGSBRUCH ODER AUF IRGEND EINER RECHTSANSICHT BERUHEN ODER AUS EINER ANDEREN RECHTLICHEN LEHRE HERVORGEHEN (EINSCHLIESSLICH, JEDOCH NICHT BEGRENZT AUF GEWINNAUSFALL, AUSFALLZEIT, RUFSCHÄDIGUNG, SCHÄDEN AN ODER ERSATZ VON MATERIAL UND EIGENTUM SOWIE JEDWEDE KOSTEN, DIE MIT DER NEUBESCHAFFUNG, NEUPROGRAMMIERUNG ODER WIEDERHERSTELLUNG VON AUF EINEM DAS PRODUKT ENTHALTENDEN SYSTEM GESPEICHERTEN ODER MIT EINEM DAS PRODUKT ENTHALTENDEN SYSTEM VERWENDETEN PROGRAMMEN ODER DATEN VERBUNDEN SIND); DIES GILT AUCH FÜR DEN FALL, DASS INTEL AUF DIE MÖGLICHKEIT DES AUFTRETENS SOLCHER SCHÄDEN HINGEWIESEN WURDE. In einigen Staaten (oder Gerichtsbarkeiten) sind der Ausschluss oder die Beschränkung von mittelbaren Schäden oder Folgeschäden unzulässig; daher treffen die oben beschriebenen Beschränkungen und Ausschlüsse möglicherweise nicht auf Sie zu.

DIESE BESCHRÄNKTE GEWÄHRLEISTUNG GIBT IHNEN SPEZIFISCHE RECHTE; JE NACH STAAT ODER GERICHTSBARKEIT STEHEN IHNEN MÖGLICHERWEISE WEITERE RECHTE ZU.

JEDLICHE UND ALLE AUS DIESEM VERTRAG ENTWACHSENEN ODER MIT DIESER BESCHRÄNKTEN GEWÄHRLEISTUNG IN ZUSAMMENHANG STEHENDEN AUSEINANDERSETZUNGEN UNTERLIEGEN DER RECHTSPRECHUNG DER FOLGENDEN GERICHTSSTÄNDE UND DEN GESETZEN DES FOLGENDEN RECHTS: IN DEN VEREINIGTEN STAATEN VON AMERIKA, KANADA, NORDAMERIKA UND SÜDAMERIKA SOLL DER GERICHTSSTAND SANTA CLARA IN KALIFORNIEN, USA UND DAS ANWENDBARE RECHT DAS RECHT DES STAATES DELAWARE SEIN. IM ASIATISCH-PAZIFISCHEN RAUM (MIT AUSNAHME DES CHINESISCHEN FESTLANDES) SOLL DER GERICHTSSTAND SINGAPUR UND DAS ANWENDBARE RECHT DAS RECHT VON SINGAPUR SEIN. IN EUROPA UND DER RESTLICHEN WELT SOLL DER GERICHTSSTAND LONDON UND DAS ANWENDBARE RECHT DAS RECHT VON ENGLAND UND WALES SEIN.

IM FALLE VON KONTROVERSEN ZWISCHEN DER ENGLISCHSPRACHIGEN VERSION UND EINER/MEHRERER ÜBERSETZUNG(EN) DIESER BESCHRÄNKTEN GEWÄHRLEISTUNG

(MIT AUSNAHME DER VERSION IN VEREINFACHTEM CHINESISCH) SOLL DIE ENGLISCHSPRACHIGE VERSION DIE MASSGEBLICHE SEIN.

GARANTÍA LIMITADA

Intel garantiza al comprador del Producto (definido conforme a la presente como el procesador Intel® en caja y la solución térmica que lo acompaña) en su paquete original sellado ("Comprador Original") y al comprador de un sistema de computación ensamblado por un Comprador Original que contenga el Producto ("Cliente Original del Sistema"), lo siguiente: si el Producto se utiliza e instala apropiadamente, el mismo estará libre de defectos en sus materiales y fabricación, y cumplirá sustancialmente con las especificaciones de Intel, que se encuentra a disposición pública, por un período de tres (3) años a partir de la fecha de compra del Producto en su paquete original sellado en el caso de un Comprador Original, y por un período de tres (3) años a partir de la fecha de compra de un sistema de computación que contenga el Producto en el caso de un Cliente Original del Sistema. Si el Producto, objeto de esta Garantía Limitada, no cumple con lo especificado por la misma durante el período de garantía, Intel, a su elección:

REPARARÁ el Producto en lo que hace a hardware y/o software; **O**

REEMPLAZARÁ el Producto con otro producto; **O**, si Intel no puede reparar o reemplazar el Producto,

REEMBOLSARÁ el valor corriente del Producto al momento del reclamo del servicio de garantía a Intel bajo esta Garantía Limitada.

ESTA GARANTÍA LIMITADA Y LAS GARANTÍAS IMPLÍCITAS QUE PUEDAN EXISTIR BAJO LEYES ESTATALES, NACIONALES, PROVINCIALES O LOCALES SE APLICARÁN ÚNICAMENTE A USTED COMO COMPRADOR ORIGINAL DEL PRODUCTO O DEL SISTEMA DE COMPUTACIÓN QUE INCLUYE EL PRODUCTO, Y SE PROLONGARÁN ÚNICAMENTE MIENTRAS USTED CONTINÚE SIENDO EL PROPIETARIO DEL PRODUCTO. LA COBERTURA DE LA GARANTÍA FINALIZARÁ SI EL CLIENTE ORIGINAL DEL SISTEMA VENDE O DE ALGUNA OTRA MANERA TRANSFIERE EL SISTEMA DE COMPUTACIÓN QUE INCLUYE EL PRODUCTO.

ADVERTENCIA: Si altera la frecuencia y/o el voltaje del reloj, se puede (i) reducir la estabilidad del sistema y la vida útil del sistema y el procesador; (ii) provocar la falla del procesador y otros componentes del sistema; (iii) causar reducciones en el rendimiento del sistema; (iv) causar un aumento del calor u otros daños; y (v) afectar la integridad de los datos del sistema. Intel no ha probado ni garantiza el funcionamiento del procesador más allá de las especificaciones. Intel no asume responsabilidad alguna relacionada con la idoneidad del procesador para un fin determinado, incluso si se utiliza cuando se alteran las frecuencias y/o los voltajes del reloj.

ALCANCE DE LA GARANTÍA LIMITADA

Intel no garantiza que el Producto estará libre de defectos de diseño o errores conocidos como "erratas". La lista de erratas identificadas hasta el momento están disponibles previa solicitud. Además, esta Garantía Limitada NO cubre:

- ningún costo relacionado con la reparación o el reemplazo del Producto, incluso costos de mano de obra, instalación u otros en los que usted incurra y en particular, ningún costo relacionado con la remoción o el reemplazo de cualquier Producto que esté soldado o fijado permanentemente de alguna otra manera a cualquier placa impresa del circuito; **O**
- daños al Producto debidos a causas externas, incluso accidentes, problemas con la alimentación eléctrica, condiciones eléctricas, mecánicas o ambientales anormales, usos no acordes a las instrucciones del producto, usos indebidos, descuido, alteración, reparación, instalación o pruebas incorrectas; **O**
- cualquier Producto que haya sido modificado u operado en forma no acorde a las especificaciones públicamente disponibles de Intel, o cuyas marcas originales de identificación (marca registrada o número de serie) hayan sido removidas, alteradas o borradas del Producto.

CÓMO OBTENER EL SERVICIO DE LA GARANTÍA

Para obtener el servicio de garantía del Producto (ya sea que éste haya sido comprado en su paquete sellado original o como parte de un sistema de computación), puede contactar a su punto original de compra de acuerdo a sus instrucciones, o puede contactar a Intel.

Para solicitar el servicio de la garantía a Intel, dentro del período de garantía, puede contactar al centro de Atención al Cliente de Intel ("ICS") de su región durante el horario normal de negocios (hora local), excluyendo los días feriados, y devolver el Producto (el procesador Intel® en caja y la solución térmica que lo acompaña) al centro ICS designado (consulte en el dorso del paquete la información para contactar al ICS de su región). Por favor tenga listos los siguientes datos: (1) su nombre, dirección de correo postal, dirección de correo electrónico y números de teléfono; (2) comprobante de la compra; (3) nombre del modelo y número de identificación del producto consignado en el Producto; (4) si corresponde, una descripción del sistema de computación, incluyendo marca y modelo; y (5) una explicación del problema. El representante del ICS puede necesitar información adicional de su parte, según la naturaleza del problema.

Después que el ICS verifique que el Producto cumple los requisitos para recibir el servicio

de la garantía, se le enviará un número de Autorización de Material de Devolución ("RMA") y se le darán instrucciones para devolver el Producto al centro ICS designado. Cuando devuelva el Producto al centro ICS, deberá incluir el número de RMA en la parte exterior del paquete. Intel no aceptará ningún producto devuelto sin el número de RMA o que tenga un número inválido de RMA en el paquete. Deberá enviar el Producto devuelto al centro ICS designado en el paquete original o su equivalente con los gastos de envíos prepagados y asumir el riesgo de daño o pérdida durante el envío. Existe la posibilidad de que se apliquen gastos de transporte y/o comisiones de gestión si el producto para el que solicita los servicios de la garantía no se vendió a través de un distribuidor autorizado en su país o región. (Para obtener una definición de país/región, póngase en contacto con el centro de Asistencia al cliente de Intel (ICS) en su región o vaya a www.intel.com/support.)

Intel podrá elegir reparar o reemplazar el Producto, ya sea con Productos o componentes nuevos o reacondicionados, según Intel considere apropiado. El producto reparado o reemplazado se le enviará a cargo de Intel en un período de tiempo razonable después de la recepción del Producto devuelto por parte del ICS. El Producto devuelto se convertirá en propiedad de Intel al ser recibido por el ICS. El producto de reemplazo estará garantizado bajo esta garantía escrita, y estará sujeto a las mismas limitaciones y exclusiones por noventa (90) días o el tiempo restante del período de garantía original, lo que conforme el período más largo. Si Intel reemplaza el Producto, el período de Garantía limitada por el Producto de reemplazo no será extendido.

LIMITACIONES Y EXCLUSIONES DE LA GARANTÍA

ESTA GARANTÍA REEMPLAZA TODA OTRA GARANTÍA DEL PRODUCTO, E INTEL RE-
PUDIA TODA OTRA GARANTÍA, EXPRESA O IMPLÍCITA, INCLUYENDO, SIN LIMITACIÓN,
LAS GARANTÍAS IMPLÍCITAS DE COMERCIALIZACIÓN, APTITUD PARA UN PROPÓSITO
PARTICULAR, NO INFRACCIÓN, CURSO DE COMPORTAMIENTO Y USO DE COMERCIO.
Algunos Estados (o jurisdicciones) no permiten la exclusión de garantías implícitas,
por lo que esta limitación puede no aplicarse a usted. TODA GARANTÍA EXPRESA
E IMPLÍCITA ESTARÁ LIMITADA EN SU DURACIÓN AL PERÍODO DE LA GARANTÍA
LIMITADA. NINGUNA GARANTÍA SE APLICARÁ DESPUÉS DE ESTE PERÍODO. Algunos
Estados (o jurisdicciones) no permiten limitaciones en la duración de una garantía
implícita, por lo que esta limitación puede no aplicarse a usted.

LIMITACIONES DE RESPONSABILIDAD

LA RESPONSABILIDAD DE INTEL BAJO ESTA O CUALQUIER OTRA GARANTÍA, IMPLÍCITA
O EXPRESA, SE LIMITA A REPARAR, REEMPLAZAR O REEMBOLSAR, COMO SE HA

ESPECIFICADO CON ANTELACIÓN. ESTAS COMPENSACIONES SON LAS ÚNICAS Y EXCLUSIVAS COMPENSACIONES ANTE CUALQUIER INCUMPLIMIENTO DE LA GARANTÍA. HASTA EL MÁXIMO PERMITIDO POR LA LEY, INTEL NO SERÁ RESPONSABLE POR DAÑO ALGUNO, DIRECTO, ESPECIAL, INCIDENTAL O CONSECUENCIAL, RESULTANTE DE CUALQUIER INCUMPLIMIENTO DE LA GARANTÍA O BAJO CUALQUIER OTRA TEORÍA LEGAL (INCLUYENDO, PERO SIN LIMITARSE A, PERDIDA DE GANANCIAS, LUCRO CESANTE, PLUSVALÍA, DAÑOS AL EQUIPO Y LA PROPIEDAD, O REEMPLAZOS DE LOS MISMOS, Y CUALQUIER COSTO DE RECUPERACIÓN, REPROGRAMACIÓN O REPRODUCCIÓN DE CUALQUIER PROGRAMA O INFORMACIÓN ALMACENADOS EN O UTILIZADOS CON EL SISTEMA QUE CONTIENE EL PRODUCTO), AUN EN EL CASO DE QUE INTEL HAYA SIDO ADVERTIDA DE LA POSIBILIDAD DE TALES DAÑOS. Algunos Estados (o jurisdicciones) no permiten la exclusión o limitación de daños incidentales o consecuenciales, por lo que las limitaciones o exclusiones antes mencionadas pueden no aplicarse a usted.

ESTA GARANTÍA LIMITADA LE OTORGA DERECHOS LEGALES ESPECÍFICOS, Y USTED PUEDE TENER TAMBIÉN OTROS DERECHOS QUE VARÍAN SEGÚN EL ESTADO O LA JURISDICCIÓN.

TODO CONFLICTO QUE SURJA BAJO ESTA GARANTÍA LIMITADA, O EN RELACIÓN A LA MISMA, SERÁN DIRIMIDOS EN LAS SIGUIENTES JURISDICCIONES Y REGULADO POR LAS SIGUIENTES LEYES: PARA LOS ESTADOS UNIDOS DE AMÉRICA, CANADÁ, NORTEAMÉRICA Y SUDAMÉRICA, LA JURISDICCIÓN SERÁ SANTA CLARA, CALIFORNIA, EE.UU., Y LA LEY APLICABLE SERÁ LA DEL ESTADO DE DELAWARE. PARA LA REGIÓN DEL PACÍFICO ASIÁTICO (EXCEPTO CHINA CONTINENTAL), LA JURISDICCIÓN SERÁ SINGAPUR Y LA LEY APLICABLE SERÁ LA DE SINGAPUR. PARA EUROPA Y EL RESTO DEL MUNDO, LA JURISDICCIÓN SERÁ LONDRES Y LA LEY APLICABLE SERÁ LA DE INGLATERRA Y GALES.

EN CASO DE CUALQUIER CONFLICTO ENTRE LA VERSIÓN EN LENGUA INGLESA Y CUALQUIER OTRA VERSIÓN O VERSIONES TRADUCIDAS DE ESTA GARANTÍA LIMITADA (CON EXCEPCIÓN DE LA VERSIÓN SIMPLIFICADA CHINA), PREVALECE LA VERSIÓN EN LENGUA INGLESA.

GARANTIA LIMITADA

A Intel garante ao comprador do Produto (definido neste documento como o processador Intel®, em caixa ("in-a-box"), e a solução térmica que o acompanha), em sua embalagem original lacrada ("Comprador Original") e ao comprador de um equipamento fabricado pelo Comprador Original, que contenha o Produto ("Cliente do Equipamento Original") o seguinte: se o Produto for adequadamente utilizado e instalado, estará livre de defeitos de material e de manufatura e estará, substancialmente, em conformidade com as especificações da Intel publicamente disponíveis por um período de três (3) anos, a partir da

data em que o Produto foi adquirido em sua embalagem original lacrada, no caso de um Comprador Original, e por um período de três (3) anos, a partir da data da compra de um equipamento que contenha o Produto, no caso de um Cliente do Equipamento Original. Se o Produto, o qual é objeto desta Garantia Limitada, não estiver conforme a garantia acima durante o período de garantia, a Intel, a seu critério, irá:

REPARAR o Produto por meio de hardware e/ou software; **OU**

SUBSTITUIR o Produto por outro produto; **OU**, se a Intel for incapaz de reparar ou substituir o Produto,

REEMBOLSAR o valor do Produto em vigência no momento em que a reivindicação pelo serviço de garantia for feita à Intel, nos termos desta Garantia Limitada.

ESTA GARANTIA LIMITADA, E QUAISQUER GARANTIAS IMPLÍCITAS QUE POSSAM EXISTIR DE ACORDO COM AS LEIS ESTADUAIS, NACIONAIS, PROVINCIAIS OU LOCAIS APLICÁVEIS, APLICAM-SE APENAS SOMENTE A VOCÊ, NA QUALIDADE DE COMPRADOR ORIGINAL DO PRODUTO OU DO EQUIPAMENTO QUE INCLUA O PRODUTO, E SUA DURAÇÃO ESTENDE-SE SOMENTE AO PERÍODO EM QUE VOCÊ CONTINUAR SENDO O PROPRIETÁRIO DO PRODUTO. A COBERTURA DA GARANTIA TERMINA SE O CLIENTE DO EQUIPAMENTO ORIGINAL VENDER, OU TRANSFERIR DE QUALQUER OUTRA MANEIRA, O EQUIPAMENTO QUE INCLUI O PRODUTO.

AVISO: Alterar a frequência e/ou tensão do relógio poderá: (i) reduzir a estabilidade do sistema e a vida útil do sistema e do processador; (ii) fazer com que o processador e outros componentes do sistema falhem; (iii) causar reduções no desempenho do sistema; (iv) causar aquecimento adicional ou outros danos; e (v) afetar a integridade dos dados do sistema. A Intel não testou e não garante a operação do processador além de suas especificações. A Intel não assume nenhuma responsabilidade de que o processador, inclusive se usado com frequências e/ou tensões de relógio alteradas, será adequado para qualquer fim em particular.

COBERTURA DA GARANTIA LIMITADA

A Intel não garante que o Produto estará livre de defeitos ou erros de design, conhecidos como "errata". A lista de errata caracterizada atualmente está disponível mediante solicitação. Ademais, esta Garantia Limitada **NÃO** cobre:

- quaisquer custos relacionados ao reparo ou à substituição do Produto, incluindo mão-deobra, instalação ou outros custos incorridos por você e, em particular, quaisquer custos referentes à remoção ou à substituição de qualquer Produto soldado ou permanentemente afixado por outros meios a qualquer placa de circuito impresso; **OU**

- danos ao Produto devido a causas externas, incluindo acidentes, problemas com a alimentação elétrica, condições anormais, elétricas, mecânicas ou ambientais, utilização que não esteja de acordo com as instruções do produto, mau uso, negligência, alteração, reparo, instalação inadequada ou testes inadequados; **OU**
- qualquer Produto que tenha sido modificado ou operado fora das especificações da Intel publicamente disponíveis ou do qual as marcações de identificação originais (marca registrada ou número de série) tenham sido removidas, alteradas ou obliteradas.

COMO OBTER O SERVIÇO DE GARANTIA

Para obter o serviço da garantia do Produto (seja ele adquirido na sua embalagem original lacrada ou como parte de um equipamento), você pode entrar em contato com o local original da compra, de acordo com as suas instruções, ou pode contatar a Intel

Para solicitar o serviço da garantia à Intel, você deve entrar em contato com o centro de Apoio ao Cliente Intel ("ICS") da sua região, dentro do período de garantia e durante o horário comercial normal (horário local), excluindo-se os feriados, e devolver o Produto (o processador Intel®, em caixa, e a solução térmica que o acompanha) ao centro de ICS designado. (Veja na capa posterior as informações sobre como contatar o ICS na sua região.) Prepare-se para fornecer: (1) o seu nome, endereço para correspondência, endereço de e-mail e números de telefone; (2) comprovante da compra; (3) nome do modelo e número de identificação do produto, encontrados no Produto; e (4) se aplicável, uma descrição do equipamento, incluindo a marca e o modelo e (5) uma explicação do problema. O representante do ICS pode solicitar informações adicionais, dependendo da natureza do problema.

Desde que verificado pelo ICS que o Produto é elegível para o serviço de garantia, será emitido um número de Autorização de Devolução de Material ("RMA") e você receberá instruções para devolver o Produto ao centro de ICS designado. Quando você devolver o produto no centro de ICS, você deve colocar o número de RMA na parte externa da embalagem. A Intel não aceitará nenhum Produto devolvido cuja embalagem não inclua o número de RMA, ou cujo número de RMA seja inválido. Você deve entregar o Produto devolvido, na embalagem original ou equivalente, ao centro de ICS designado, com as tarifas de postagem pré-pagas e assumir o risco de perdas ou danos durante o envio. Taxas de frete e/ou manuseio poderão ser aplicadas se o Produto para o qual você estiver solicitando serviços de garantia não tiver sido vendido através de distribuição autorizada em seu país/região. (Para ver a definição de país/região, entre em contato com o centro de Suporte ao Cliente da Intel (ICS, Intel Customer Support) em sua região ou vá para www.intel.com/support.)

A Intel pode decidir reparar ou substituir o Produto por um Produto ou componentes novos ou reconicionados, a seu critério, de acordo com o que a Intel considerar mais apropriado. O produto reparado ou substituído será enviado a você as custas da Intel, dentro de um período razoável após o recebimento, no ICS, do produto devolvido. O Produto devolvido se tornará propriedade da Intel, assim que for recebido pelo ICS. O produto de substituição é garantido dentro dos termos desta garantia por escrito, e está sujeito às mesmas limitações e exclusões, por noventa dias (90) ou pelo restante do período da garantia original, o que for mais longo. Se a Intel substituir o Produto, o período da Garantia Limitada para o Produto de substituição não é prorrogado.

LIMITAÇÕES E EXCLUSÕES DA GARANTIA

ESTA GARANTIA SUBSTITUI TODAS AS DEMAIS GARANTIAS DO PRODUTO E A INTEL EXIME-SE DE TODAS AS DEMAIS GARANTIAS, EXPRESSAS OU IMPLÍCITAS, INCLUINDO, SEM LIMITAÇÃO, AS GARANTIAS IMPLÍCITAS DE GARANTIA DE COMERCIALIZAÇÃO, ADEQUAÇÃO PARA UMA FINALIDADE ESPECÍFICA, NÃO-INFRAÇÃO, CURSO DE NEGOCIAÇÃO E USO DE COMÉRCIO. Alguns estados (ou jurisdições) não permitem a exclusão de garantias implícitas, portanto esta limitação pode não ser aplicável. TODAS AS GARANTIAS EXPRESSAS OU IMPLÍCITAS TÊM DURAÇÃO RESTRITA AO PERÍODO LIMITADO DE GARANTIA. NENHUMA GARANTIA É APLICÁVEL DEPOIS DE TAL PERÍODO. Alguns estados (ou jurisdições) não permitem limitações referentes à duração de uma garantia implícita, portanto esta limitação pode não ser aplicável.

LIMITAÇÕES DE RESPONSABILIDADE

A RESPONSABILIDADE DA INTEL SOB ESTA OU QUALQUER OUTRA GARANTIA, IMPLÍCITA OU EXPRESSA, É LIMITADA AO REPARO, SUBSTITUIÇÃO OU REEMBOLSO, NOS TERMOS DESCRITOS ACIMA. ESSES RECURSOS SÃO OS ÚNICOS E EXCLUSIVOS PARA QUALQUER VIOLAÇÃO DA GARANTIA. ATÉ O ÂMBITO MÁXIMO PERMITIDO POR LEI, A INTEL NÃO É RESPONSÁVEL POR NENHUM DANO DIRETO, ESPECIAL, INCIDENTAL OU CONSEQUENTE RESULTANTE DE QUALQUER DESCUMPRIMENTO DE GARANTIA OU SOBRE QUALQUER OUTRA TEORIA LEGAL (INCLUINDO, MAS NÃO LIMITADA A, PERDA DE LUCRO, TEMPO RESERVADO À MANUTENÇÃO, FUNDO DE COMÉRCIO, DANOS OU SUBSTITUIÇÃO DE EQUIPAMENTOS E PROPRIEDADES, E QUAISQUER CUSTOS REFERENTES À RECUPERAÇÃO, REPROGRAMAÇÃO OU REPRODUÇÃO DE QUALQUER PROGRAMA OU DADO ARMAZENADO EM, OU USADO COM UM SISTEMA QUE CONTENHA O PRODUTO), MESMO QUE TENHA SIDO AVISADA DA POSSIBILIDADE DE TAIS DANOS. Alguns estados (ou jurisdições) não

permettem a exclusão ou a limitação de danos incidentais ou consequentes, portanto as limitações ou exclusões acima podem não ser aplicáveis.

ESTA GARANTIA LIMITADA CONCEDE DIREITOS LEGAIS ESPECÍFICOS E VOCÊ TAMBÉM PODE TER OUTROS DIREITOS, QUE VARIAM DE ACORDO COM O ESTADO OU A JURISDIÇÃO.

TODAS E QUAISQUER DISPUTAS RESULTANTES OU RELACIONADAS A ESTA GARANTIA LIMITADA SERÃO JULGADAS NOS SEGUINTE FÓRUMS E REGIDAS PELAS SEGUINTE LEIS: NO CASO DOS ESTADOS UNIDOS DA AMÉRICA, CANADÁ, AMÉRICA DO NORTE E AMÉRICA DO SUL, O FÓRUM DEVE SER O DE SANTA CLARA, NA CALIFÓRNIA, EUA, E AS LEIS APLICÁVEIS SERÃO AS DO ESTADO DE DELAWARE. NO CASO DA REGIÃO DA ÁSIA-PACÍFICO (COM EXCEÇÃO DA CHINA CONTINENTAL), O FÓRUM DEVE SER O DE CINGAPURA E AS LEIS APLICÁVEIS SERÃO AS DE CINGAPURA. NO CASO DA EUROPA E DO RESTANTE DO MUNDO, O FÓRUM SERÁ LONDRES E AS LEIS APLICADAS SERÃO AS DA INGLATERRA E DO PAÍS DE GALES.

NO EVENTO DE QUALQUER CONFLITO ENTRE A VERSÃO NO IDIOMA INGLÊS E QUAISQUER OUTRAS VERSÕES TRADUZIDAS DESTA GARANTIA LIMITADA (COM EXCEÇÃO DA VERSÃO PARA O CHINÊS SIMPLIFICADO), A VERSÃO NO IDIOMA INGLÊS DEVERÁ PREVALECER.

GARANZIA LIMITATA

Intel esprime la seguente garanzia all'acquirente del Prodotto (processore Intel® e relativa soluzione termica) nella confezione originale sigillata ("Acquirente originale") e all'acquirente di un computer realizzato da un Acquirente originale e contenente il Prodotto ("Cliente del sistema originale"): purché installato e utilizzato correttamente, il Prodotto sarà esente da difetti nei materiali e nella lavorazione e rispondente nella sostanza alle specifiche tecniche rese pubblicamente disponibili da Intel per un periodo di tre (3) anni a partire dalla data di acquisto del Prodotto nella sua confezione originale sigillata (nel caso di un Acquirente originale) e per un periodo di tre (3) anni a partire dalla data di acquisto di un computer contenente il Prodotto (nel caso di un Cliente del sistema originale). Se il Prodotto, soggetto alla presente Garanzia limitata, dovesse risultare non conforme alla suddetta garanzia entro il periodo di validità, Intel si impegna, a propria descrizione, a:

RIPARARE il Prodotto a mezzo di hardware e/o software; **OVVERO**

SOSTITUIRE il Prodotto con un altro; **OVVERO**, qualora Intel non fosse in grado di riparare o sostituire il Prodotto,

RIMBORSARE il valore ammortizzato del Prodotto nel momento in cui viene richiesta assistenza in garanzia a Intel ai sensi della presente Garanzia limitata.

LA PRESENTE GARANZIA LIMITATA, E QUALSIASI GARANZIA IMPLICITA SECONDO LE LEGGI STATALI O LOCALI PERTINENTI, È RIFERITA ESCLUSIVAMENTE ALL'ACQUIRENTE ORIGINALE DEL PRODOTTO O DEL COMPUTER CONTENENTE IL PRODOTTO E HA DECORSO SOLO FINTANTOCHÉ L'ACQUIRENTE ORIGINALE STESSO NE RIMANE PROPRIETARIO. LA COPERTURA IN GARANZIA CESSA NEL MOMENTO IN CUI IL CLIENTE DEL SISTEMA ORIGINALE VENDE O TRASFERISCE IL COMPUTER CONTENENTE IL PRODOTTO.

AVVISO: La modifica della frequenza di clock e/o della tensione può: (i) ridurre la stabilità del sistema e la durata utile del sistema e del processore; (ii) causare guasti al processore o di altri componenti del sistema; (iii) ridurre le prestazioni del sistema; (iv) provocare un surriscaldamento eccessivo o ulteriori danni; e (v) incidere sull'integrità dei dati del sistema. Intel non ha testato e non garantisce il funzionamento del processore oltre le sue specifiche. Intel declina ogni responsabilità per l'idoneità del processore e di altri componenti del sistema per uno scopo particolare, incluso l'utilizzo con frequenze di clock e/o tensioni alterate.

APPLICAZIONE DELLA GARANZIA LIMITATA

Intel non garantisce che il Prodotto sarà esente da difetti progettuali o errori. I dati sugli errori noti al momento sono disponibili su richiesta. La presente Garanzia limitata NON copre quanto segue:

- qualsiasi costo associato alla riparazione o sostituzione del Prodotto, compresi i costi di manodopera, installazione e altro, sostenuti dall'acquirente e in particolare tutti i costi relativi alla rimozione o sostituzione di un Prodotto saldato o comunque affisso in maniera permanente ad una scheda a circuito stampato; **OVVERO**
- i danni subiti dal Prodotto per cause esterne, compresi incidenti, problemi con l'alimentazione elettrica, picchi di corrente, condizioni meccaniche o ambientali, utilizzo difforme dalle istruzioni fornite con il Prodotto, abuso, negligenza, alterazione, riparazione, installazione inadeguata e prove improprie; **OVVERO**
- qualsiasi Prodotto modificato o utilizzato in modi non contemplati nelle specifiche rese pubblicamente disponibili da Intel o dal quale siano state rimosse, alterate o altrimenti obliterate le etichette di identificazione originali (marchio di fabbrica o numero di serie) del Prodotto.

RICHIESTA DI ASSISTENZA IN GARANZIA

Entro il periodo di garanzia, per richiedere assistenza sul Prodotto (sia acquistato nella confezione originale sigillata o come facente parte di un computer), rivolgersi al punto di acquisto per le istruzioni oppure contattare Intel direttamente.

Se si richiede assistenza in garanzia a Intel, rivolgersi al centro Intel Customer Support ("ICS") della propria zona nelle ore lavorative normali (fuso locale), escluso festivi, per la restituzione del Prodotto (processore Intel® e relativa soluzione termica). I recapiti e numeri dei centri ICS sono riportati sulla terza di copertina. Premunirsi dei seguenti dati: (1) nome, recapito postale, indirizzo di e-mail e numero telefonico; (2) scontrino d'acquisto; (3) nome del modello e numero identificativo del Prodotto (ad esso affissi); (4) se pertinente, una descrizione del computer, compresi marca e modello; e (5) una spiegazione dettagliata del problema. L'agente ICS potrebbe richiedere ulteriori informazioni, secondo la natura del problema.

Dopo aver appurato che il Prodotto risponde ai requisiti necessari per l'assistenza in garanzia, il centro ICS genererà un numero di autorizzazione alla restituzione del materiale ("RMA") e fornirà al cliente le istruzioni per la restituzione del Prodotto. Quando si spedisce un Prodotto al centro ICS, annotare il numero RMA sull'esterno del pacco. Intel non accetta Prodotti ricevuti senza questo numero (o con un numero non valido) stampato visibilmente sul pacco. Spedire il Prodotto al centro ICS della propria zona nell'imballaggio originale o in uno equivalente, con spese di spedizione prepagate. Il cliente dovrà inoltre assumersi la responsabilità per danni o perdite conseguenti alla spedizione. Potrebbero essere applicate spese di trasporto e/o costi di movimentazione se il Prodotto per il quale richiedete servizi di garanzia non sia stato venduto attraverso canali di distribuzione autorizzati nel vostro Paese/Regione (per conoscere la definizione di Paese/Regione, contattate il centro ICS della vostra regione o visitate la pagina www.intel.com/support).

Intel può decidere, a propria discrezione e secondo i casi, di riparare o sostituire il Prodotto con un altro (nuovo o ricondizionato, in tutto o nelle sue parti). Il Prodotto riparato o sostituito sarà rispedito al cliente con spese a carico di Intel, entro un periodo ragionevole dalla ricezione del pacco presso il centro ICS. Il Prodotto ricevuto diverrà proprietà Intel all'arrivo presso il centro ICS. Il prodotto fornito in sostituzione è accompagnato da una garanzia scritta e soggetto alle stesse limitazioni ed esclusioni per novanta (90) giorni o comunque per la parte restante del periodo della garanzia originale. Se Intel decide di fornire un Prodotto sostitutivo, il periodo della Garanzia limitata non viene protratto.

LIMITAZIONI ED ESCLUSIONI IN GARANZIA

QUESTA GARANZIA SOSTITUISCE QUALSIASI ALTRA GARANZIA DEL PRODOTTO E INTEL DISCONOSCE OGNI ULTERIORE GARANZIA ESPLICITA O IMPLICITA, COMPRESE

MA NON A TITOLO ESCLUSIVO LE GARANZIE IMPLICITE DI COMMERCIALITÀ E IDONEITÀ AD UN DETERMINATO SCOPO, DI MANCATA VIOLAZIONE E DI USANZE COMMERCIALI. Alcuni stati od ordinamenti non consentono esclusioni delle garanzie implicite, nel qual caso le limitazioni sopra indicate potrebbero non valere. QUALSIASI GARANZIA ESPLICITA E IMPLICITA È SOGGETTA AL DECORSO DELLA GARANZIA LIMITATA. NON SONO PREVISTE ALTRE GARANZIE DOPO TALE PERIODO. Alcuni stati od ordinamenti non consentono limitazioni alla durata delle garanzie implicite, nel qual caso le limitazioni sopra indicate potrebbero non valere.

RESPONSABILITÀ LIMITATA

LA RESPONSABILITÀ DI INTEL AI SENSI DI QUESTA O DI QUALSIASI ALTRA GARANZIA IMPLICITA O ESPLICITA, SI LIMITA A RIPARAZIONE, SOSTITUZIONE O RIMBORSO, COME SOPRA INDICATO. QUESTE AZIONI DI TUTELA COSTITUISCONO L'UNICO ED ESCLUSIVO RISARCIMENTO CONTRO LA VIOLAZIONE DELLA GARANZIA. NEI LIMITI MASSIMI CONCESSI DALLA LEGGE, INTEL DECLINA OGNI RESPONSABILITÀ PER DANNI DIRETTI, SPECIALI, FORTUITI O CONSEGUENTI DERIVANTI DA VIOLAZIONE DI GARANZIA O DA INADEMPIMENTO CONTRATTUALE (COMPRESI, MA NON A CARATTERE ESCLUSIVO, PERDITA DI PROFITTI O REPUTAZIONE, TEMPI DI INATTIVITÀ, DANNI O SOSTITUZIONE DI ATTREZZATURE E BENI IMMOBILI, E QUALSIASI COSTO PER RECUPERO, RIPROGRAMMAZIONE O RIPRODUZIONE DI APPLICATIVI O DATI MEMORIZZATI O UTILIZZATI CON IL SISTEMA CONTENENTE IL PRODOTTO), ANCHE QUALORA INTEL FOSSE A CONOSCENZA DELLA POSSIBILITÀ DI TALI DANNI. Alcuni stati od ordinamenti non consentono l'esclusione o la limitazione dei danni fortuiti o conseguenti, nel qual caso le limitazioni o le esclusioni sopra indicate potrebbero non valere.

LA PRESENTE GARANZIA LIMITATA CONFERISCE SPECIFICI DIRITTI LEGALI AL CLIENTE E POTREBBERO SUSSISTERE ALTRI DIRITTI CHE VARIANO SECONDO GLI STATI E GLI ORDINAMENTI.

OGNI E QUALSIASI DISPUTA INSORGENTE ALLA LUCE O IN CONNESSIONE DI QUESTA GARANZIA LIMITATA SARÀ DECISA NEI SEGUENTI FORI COMPETENTI E DISCIPLINATA DALLE SEGUENTI LEGGI: PER STATI UNITI D'AMERICA, CANADA, NORD E SUDAMERICA, IL FORO ASSEGNATO HA SEDE A SANTA CLARA, CALIFORNIA (USA) MENTRE LA LEGGE PERTINENTE È QUELLA VIGENTE NELLO STATO DEL DELAWARE. PER LA REGIONE ASIA-PACIFICO (TRANNE LA CINA CONTINENTALE), IL FORO HA SEDE A SINGAPORE E LA LEGGE PERTINENTE È QUELLA VIGENTE A SINGAPORE. PER L'EUROPA E IL RESTO DEL MONDO, IL FORO HA SEDE A LONDRA E LA LEGGE PERTINENTE È QUELLA VIGENTE IN INGHILTERRA E NEL GALLES.

NELL'EVENTUALITÀ DI CONFLITTI TRA LA VERSIONE IN LINGUA INGLESE E UNA VERSIONE TRADOTTA DALLA PRESENTE GARANZIA LIMITATA (ECCEPTE LA VERSIONE IN CINESE SEMPLIFICATO), PREVARRÀ LA VERSIONE IN LINGUA INGLESE.

OGRANICZONA GWARANCJA

Intel gwarantuje nabywcy Produktu (zdefiniowanego w niniejszym dokumencie jako pudełkowy procesor Intel® wraz z załączonym systemem chłodzenia) znajdującego się w oryginalnym, zamkniętym opakowaniu („Pierwotny Nabywca”), oraz nabywcy systemu komputerowego zbudowanego przez Pierwotnego Nabywcę i zawierającego Produkt („Pierwotny Nabywca Systemu”) co następuje: w odniesieniu do Pierwotnego Nabywcy jeżeli Produkt jest użytkowany i zainstalowany we właściwy sposób, nie będzie on miał usterek materiałowych i wykonawczych oraz będzie odpowiadał ogólnie dostępnym specyfikacjom firmy Intel przez okres trzech (3) lat liczony od daty nabycia Produktu w oryginalnym, zamkniętym opakowaniu; w odniesieniu do Pierwotnego Nabywcy Systemu przez okres trzech (3) lat liczony od daty nabycia systemu komputerowego zawierającego Produkt. Jeżeli Produkt, który jest przedmiotem niniejszej ograniczonej gwarancji, nie będzie odpowiadał warunkom powyższej gwarancji w okresie gwarancyjnym, Intel, zgodnie z podjętą przez firmę decyzją podejmie następujące działania:

DOKONA NAPRAWY Produktu za pomocą sprzętu lub / i oprogramowania;
LUB

DOKONA WYMIANY Produktu na inny produkt; **LUB**, jeżeli naprawa lub wymiana Produktu znajduje się poza możliwościami firmy Intel,

DOKONA ZWROTU KWOTY równoważnej aktualnej wartości Produktu w chwili złożenia w firmie Intel zamówienia dotyczącego serwisu gwarancyjnego w ramach niniejszej ograniczonej gwarancji.

NINIEJSZA OGRANICZONA GWARANCJA ORAZ JAKIEKOLWIEK GWARANCJE DOMNIEMANE, KTÓRE OKREŚLONE SĄ W MAJĄCYCH ZASTOSOWANIE STANOWYCH, KRAJOWYCH, REGIONALNYCH LUB LOKALNYCH PRZEPISACH PRAWNYCH, ODNOSZĄ SIĘ DO PIERWOTNEGO NABYWCY PRODUKTU LUB SYSTEMU KOMPUTEROWEGO ZAWIERAJĄCEGO PRODUKT I MAJĄ MOC PRAWNĄ TYLKO W OKRESIE, W KTÓRYM PRODUKT STANOWI WŁASNOŚĆ NABYWCY. OKRES GWARANCYJNY WYGASA W CHWILI, GDY PIERWOTNY NABYWCA SYSTEMU SPRZEDA LUB W INNY SPOŚÓB PRZEKAŻE SYSTEM KOMPUTEROWY, KTÓRY ZAWIERA PRODUKT.

OSTRZEŻENIE: Zmiana częstotliwości zegara i/lub napięcia może: (i) obniżyć stabilność systemu operacyjnego oraz żywotność system i procesora; (ii) spowodować awarię procesora lub innych komponentów; (iii) spowodować obniżenie wydajności systemu; (iv) spowodować powstanie dodatkowego ciepła lub uszkodzenia oraz (v) zaburzyć integralność danych. Firma Intel nie testowała i nie obejmuje gwarancją sprawnego działania procesora w zakresie przekraczającym jego specyfikacje fabryczne. Intel nie odpowiada za poprawne funkcjonowanie procesora w przypadku zmodyfikowania częstotliwości zegara i/lub napięcia.

ZAKRES OGRANICZONEJ GWARANCJI

Intel nie gwarantuje, że Produkt pozbawiony będzie usterek projektowych lub błędów określanych terminem „errata”. Na życzenie udostępnimy wykaz błędów typu errata. Ponadto niniejsza gwarancja NIE obejmuje:

- jakichkolwiek kosztów związanych z naprawą lub wymianą Produktu, w tym kosztów robocizny, instalacji oraz innych poniesionych przez nabywcę, a w szczególności wszelkich kosztów związanych z usunięciem lub wymianą jakiegokolwiek Produktu, który jest przylutowany lub w inny sposób trwale zamocowany do dowolnej płyty drukowanej; **LUB**
- uszkodzenia Produktu z przyczyn o charakterze zewnętrznym, takich jak wypadek, problemy z zasilaniem, nienormalne warunki elektryczne, mechaniczne lub środowiskowe, niezgodne z instrukcją użytkownika produktu, zaniedbania, wprowadzenie modyfikacji, naprawa, niewłaściwa instalacja lub nieprawidłowo przeprowadzone testowanie; **LUB**
- jakiegokolwiek Produktu, który został poddany modyfikacji lub obsługiwany jest niezgodnie z ogólnie dostępnymi specyfikacjami firmy Intel, lub którego oryginalne oznaczenia identyfikacyjne (znak handlowy lub numer seryjny) zostały usunięte, zmienione lub zamazane.

ZASADY KORZYSTANIA Z SERWISU GWARANCYJNEGO

Aby uzyskać pomoc w zakresie serwisu gwarancyjnego dla Produktu (zakupionego w oryginalnym, zamkniętym opakowaniu lub jako element systemu komputerowego) należy skontaktować się, zgodnie z zaleceniami podanymi w instrukcji, z oryginalnym punktem sprzedaży lub z firmą Intel.

Aby złożyć zamówienie do firmy Intel dotyczące wykonania usług w zakresie serwisu gwarancyjnego należy skontaktować się w okresie gwarancyjnym

z regionalnym centrum obsługi klientów (Intel Customer Support – „ICS”) w normalnych godzinach urzędowych (czasu lokalnego), z wyjątkiem świąt, i zwrócić Produkt (pudełkowy procesor Intel® wraz z załączonym systemem chłodzenia) do centrum ICS. (Informacje dotyczące adresu, adresu email oraz numeru telefonu centrum ICS w regionie nabywcy podane są na ostatniej stronie okładki). Prosimy o przygotowanie następujących danych: (1) imienia i nazwiska, adresu wysyłkowego, adresu email i numerów telefonów; (2) dowodu zakupu; (3) nazwy modelu i numeru identyfikacyjnego Produktu; (4) jeśli dotyczy, opisu systemu komputerowego, w tym marki i modelu, oraz (5) opisu zaistniałego problemu. W zależności od charakteru problemu przedstawiciel ICS może wymagać podania dodatkowych informacji.

Po upewnieniu się przez ICS, że Produkt kwalifikuje się do naprawy w ramach serwisu gwarancyjnego, nabywca otrzyma numer autoryzacyjny zwrotu materiału (Return Material Authorization – „RMA”) oraz instrukcję dotyczącą procedury zwrotu Produktu do wyznaczonego centrum ICS. Przy zwrocie Produktu do centrum ICS na zewnętrznej stronie opakowania należy podać numer RMA. Firma Intel nie przyjmie Produktu bez podanego numeru RMA lub z nieważnym numerem RMA na opakowaniu. Produkt musi być dostarczony do centrum ICS w oryginalnym lub podobnym opakowaniu, wraz z uiszczonymi opłatami przesyłkowymi. Należy uwzględnić ryzyko uszkodzenia lub zaginięcia Produktu podczas transportu. Jeśli produkt dla którego żądasz gwarancji serwisowej nie został sprzedany poprzez autoryzowanego dystrybutora w Twoim kraju/regionie, może on podlegać opłatom wysyłkowym i/lub opłatom obsługowym. (Aby uzyskać definicję kraju/regionu, skontaktuj się z centrum ICS w Twoim regionie lub sprawdź w witrynie www.intel.com/support/pl.)

Firma Intel, według swojego uznania, może dokonać naprawy lub wymiany Produktu lub elementów na nowe lub odnowione. Naprawiony lub wymieniony produkt zostanie przesłany do nabywcy na koszt firmy Intel w odpowiednim czasie po otrzymaniu zwrotu Produktu przez ICS. Po otrzymaniu Produktu przez ICS staje się on własnością firmy Intel. Wymieniony produkt podlega warunkom określonym w niniejszej pisemnej gwarancji oraz jest przedmiotem takich samych ograniczeń i wykluczeń przez dłuższy z okresów: dziewięćdziesiąt (90) dni lub pozostałość oryginalnego okresu gwarancyjnego. W przypadku wymiany Produktu przez firmę Intel okres gwarancyjny dla wymienionego Produktu nie ulega przedłużeniu.

OGRANICZENIA I WYKLUCZENIA GWARANCYJNE

NINIEJSZA GWARANCJA ZASTĘPUJE WSZELKIE INNE GWARANCJE DOTYCZĄCE PRODUKTU. FIRMA INTEL ZRZEKA SIĘ WSZELKICH INNYCH OKREŚLONYCH LUB DOMNIEMANYCH GWARANCJI, W TYM, BEZ ŻADNYCH OGRANICZEŃ, DOMNIEMANYCH GWARANCJI SPRZEDAWALNOŚCI, PRZYDATNOŚCI DO OKREŚLONYCH CELÓW, NIENARUSZALNOŚCI PRZEPISÓW PRAWNYCH, PRZEBIEGU TRANSAKCJI I PRAKTYK HANDLOWYCH. W niektórych stanach (lub obszarach podlegających kompetencji sądów) nie dopuszcza się wykluczenia domniemanych gwarancji, w związku z czym powyższe ograniczenie może nie dotyczyć danego użytkownika. TERMIN WAŻNOŚCI WSZYSTKICH OKREŚLONYCH I DOMNIEMANYCH GWARANCJI OGRANICZONY JEST DO OKRESU GWARANCYJNEGO. PO ZAKOŃCZENIU TEGO OKRESU ŻADNE GWARANCJE NIE MAJĄ ZASTOSOWANIA. W niektórych stanach (lub obszarach podlegających kompetencji sądów) nie dopuszcza się ograniczenia okresu ważności gwarancji domniemanych, w związku z czym powyższe ograniczenie może nie dotyczyć danego użytkownika.

OGRANICZENIA ODPOWIEDZIALNOŚCI PRAWNEJ

ZGODNIE Z POWYŻSZYMI USTALENIAMI, ODPOWIEDZIALNOŚĆ FIRMY INTEL NA MOCY TEJ LUB DOWOLNEJ INNEJ GWARANCJI, OKREŚLONEJ LUB DOMNIEMANEJ, OGRANICZONA JEST DO WYKONANIA NAPRAWY, ZAMIANY LUB ZWROTU KOSZTÓW. W PRZYPADKU NIEDOTRZYMANIA WARUNKÓW GWARANCJI ZASTOSOWANE ZOSTANĄ TYLKO I WYŁĄCZNIE WYMIENIONE WYŻEJ ŚRODKI. FIRMA INTEL, W MAKSYMALNYM ZAKRESIE DOZWOLONYM PRZEZ PRAWO, NIE PONOSI ODPOWIEDZIALNOŚCI ZA ŻADNE BEZPOŚREDNIE, SZCZEGÓLNE, PRZYPADKOWE LUB WTÓRNE SZKODY WYNIKAJĄCE Z NARUSZENIA WARUNKÓW GWARANCJI LUB INNYCH PRZEPISÓW PRAWNYCH (W TYM, MIĘDZY INNYMI, UTRATĘ ZYSKÓW, PRZERWY W PRACY, SPADEK WARTOŚCI PRZEDSIĘBIORSTWA, USZKODZENIE LUB WYMIANĘ SPRZĘTU I MAJĄTKU, ORAZ JAKIEKOLWIEK KOSZTY ZWIĄZANE Z ODZYSKANIEM, PRZEPROGRAMOWANIEM LUB REPRODUKCJĄ DOWOLNEGO PROGRAMU LUB DANYCH PRZECHOWYWANYCH LUB UŻYWANYCH W SYSTEMIE ZAWIERAJĄCYM PRODUKT) NAWET WÓWCZAS, GDY FIRMA INTEL ZOSTAŁA POINFORMOWANA O

MOŻLIWOŚCI ZAISTNIENIA TAKICH SZKÓD. W niektórych stanach (lub obszarach podlegających kompetencji sądów) nie dopuszcza się wykluczenia lub ograniczenia przypadkowych lub wtórnych szkód, w związku z czym powyższe ograniczenie może nie dotyczyć danego użytkownika.

NINIEJSZA OGRANICZONA GWARANCJA PRZYZNAJE UŻYTKOWNIKOWI SZCZEGÓLNE UPRAWNIENIA, PRZY CZYM UŻYTKOWNIK MOŻE RÓWNIEŻ POSIADAĆ INNE PRAWA W ZALEŻNOŚCI OD STANU LUB OBSZARU SĄDOWNICZEGO.

WSZYSTKIE SPORY WYNIKŁE LUB ZWIĄZANE Z WARUNKAMI NINIEJSZEJ GWARANCJI BĘDĄ ROZSTRZYGANE W SĄDACH ORAZ PODLEGAĆ BĘDĄ NASTĘPUJĄCYM PRZEPISOM PRAWNYM: DLA STANÓW ZJEDNOCZONYCH, KANADY, AMERYKI PÓŁNOCNEJ I POŁUDNIOWEJ OBSZAREM SĄDOWNICZYM JEST SANTA CLARA (KALIFORNIA, USA), A OBOWIĄZUJĄCE PRZEPISY PRAWNE TO PRAWO STANU DELAWARE. DLA KRAJÓW AZJATYCKICH POŁOŻONYCH W REJONIE PACYFIKU (Z WYJĄTKIEM CHIN KONTYNETALNYCH) OBSZAREM SĄDOWNICZYM JEST SINGAPUR, A OBOWIĄZUJĄCE PRZEPISY PRAWNE TO PRAWO SINGAPURSKIE. DLA EUROPY I RESZTY ŚWIATA OBSZAREM SĄDOWNICZYM JEST LONDYN, A OBOWIĄZUJĄCE PRZEPISY PRAWNE TO PRAWO ANGLII I WALII.

W PRZYPADKU ROZBIEŻNOŚCI POMIĘDZY WERSJĄ ANGIELSKOJĘZYCZNĄ NINIEJSZEJ OGRANICZONEJ GWARANCJI A DOWOLNĄ INNĄ WERSJĄ STANOWIĄCĄ TŁUMACZENIE (Z WYJĄTKIEM WERSJI PRZETŁUMACZONEJ NA UPROSZCZONY JĘZYK CHIŃSKI), WERSJA ANGIELSKOJĘZYCZNA PEŁNI ROLĘ NADRZĘDNĄ.

Ограниченная гарантия

«Интел» гарантирует покупателю Изделия (определяемого здесь как упакованный в коробку процессор Intel® с сопутствующими средствами терморегулирования), приобретенного в оригинальной запечатанной упаковке («Первоначальный покупатель»), а также покупателю компьютерной системы, изготовленной Первоначальным покупателем и содержащей Изделие («Покупатель первоначальной системы»), что при правильной эксплуатации и монтаже Изделие не будет иметь дефектов материалов и качества изготовления и будет, в основном, соответствовать опубликованным спецификациям «Интел» в течение 3 (трех) лет с даты приобретения Изделия в его оригинальной запечатанной упаковке

применительно к Первоначальному покупателю, или в течение 3 (трех) лет с даты приобретения компьютерной системы, содержащей Изделие применительно к Покупателю первоначальной системы. Если в течение указанного гарантийного срока Изделие, на которое распространяется настоящая Ограниченная гарантия, не будет отвечать вышеуказанным гарантийным требованиям, то «Интел» по своему усмотрению:

ОТРЕМОНТИРУЕТ Изделие с применением аппаратных и (или) программных средств; **ИЛИ**

ЗАМЕНИТ Изделие другим изделием, **ИЛИ**, если «Интел» не сможет отремонтировать или заменить Изделие,

ВОЗМЕСТИТ текущую стоимость Изделия по состоянию на момент предъявления требования о гарантийном обслуживании в соответствии с настоящей Ограниченной гарантией.

НАСТОЯЩАЯ ОГРАНИЧЕННАЯ ГАРАНТИЯ И ЛЮБЫЕ ПОДРАЗУМЕВАЕМЫЕ ГАРАНТИИ, КОТОРЫЕ МОГУТ СУЩЕСТВОВАТЬ В СООТВЕТСТВИИ С ПРИМЕНИМЫМИ ЗАКОНАМИ ШТАТОВ, ГОСУДАРСТВ, ПРОВИНЦИЙ ИЛИ МЕСТНЫХ ОРГАНОВ ВЛАСТИ, ДЕЙСТВИТЕЛЬНЫ ТОЛЬКО ДЛЯ ПЕРВОНАЧАЛЬНОГО ПОКУПАТЕЛЯ ИЗДЕЛИЯ ИЛИ КОМПЬЮТЕРНОЙ СИСТЕМЫ, ВКЛЮЧАЮЩЕЙ ИЗДЕЛИЕ, И ДЕЙСТВУЮТ ТОЛЬКО ДО ТЕХ ПОР, ПОКА ВЫ ЯВЛЯЕТЕСЬ ВЛАДЕЛЬЦЕМ ИЗДЕЛИЯ. ГАРАНТИЙНОЕ ПОКРЫТИЕ УТРАЧИВАЕТ СИЛУ, ЕСЛИ ПОКУПАТЕЛЬ ПЕРВОНАЧАЛЬНОЙ СИСТЕМЫ ПРОДАЕТ ИЛИ ИНЫМ ОБРАЗОМ ПЕРЕДАЕТ КОМПЬЮТЕРНУЮ СИСТЕМУ, ВКЛЮЧАЮЩУЮ ИЗДЕЛИЕ.

ВНИМАНИЕ: Изменение тактовой частоты и/или напряжения могут: (i) снизить стабильность и эксплуатационную долговечность системы и процессора; (ii) привести к сбою процессора и других компонентов системы; (iii) снизить рабочие характеристики системы; (iv) привести к дополнительному выделению тепла или иным повреждениям; и (v) повлиять на целостность данных системы. Корпорация Intel не проводила испытаний и не гарантирует работу процессора вне указанных для него спецификаций. Intel не несет ответственности за пригодность процессора для той или иной конкретной цели, в том числе, в случае использования с измененными величинами тактовой частоты и/или напряжения.

ОБЪЕМ ОГРАНИЧЕННОЙ ГАРАНТИИ

«Интел» не гарантирует, что Изделие не будет иметь мелких конструктивных дефектов или ошибок, известных под названием «errata». Список известных в

настоящее время errata предоставляется по запросу. Кроме того, настоящая Ограниченная гарантия НЕ ПОКРЫВАЕТ:

- любые расходы, связанные с ремонтом или заменой Изделия, включая оплату труда, монтаж и прочие расходы, понесенные Вами, и, в частности, любые расходы, связанные с удалением или заменой любого Изделия, припаянного или иным способом стационарно прикрепленного к платам печатного монтажа; **ИЛИ**
- повреждение Изделий по внешним причинам, включая аварии, проблемы с электропитанием, ненормальные электрические, механические или внешние воздействия, нарушение правил эксплуатации изделия, использование не по назначению, небрежное отношение, переделку, ремонт, нарушение правил монтажа или испытаний; **ИЛИ**
- любое Изделие, подвергнутое изменениям или эксплуатировавшееся с нарушением опубликованных сертификатов «Интел» или с удаленными, измененными или стертými первоначальными идентификационными маркировками (товарный знак или серийный номер).

ПОРЯДОК ОБРАЩЕНИЯ ЗА ГАРАНТИЙНЫМ ОБСЛУЖИВАНИЕМ

Для проведения гарантийного обслуживания Изделия (приобретенного в оригинальной запечатанной упаковке или же в составе компьютерной системы) можно связаться с продавцом, у которого было приобретено Изделие, в соответствии с инструкциями этого продавца, или же можно связаться с «Интел».

Для затребования гарантийного обслуживания в «Интел» в течение гарантийного периода следует связаться с центром обслуживания клиентов «Интел» (ICS) в вашем регионе в нормальные рабочие часы по местному времени, кроме выходных дней, и вернуть Изделие (упакованный в коробку процессор «Интел» с сопутствующими средствами терморегулирования) в указанный центр ICS. (Информация о контактах с центром ICS вашего региона приводится на обратной стороне обложки.) Необходимо подготовить следующую информацию: (1) ваша фамилия, почтовый адрес, адрес электронной почты и номера телефонов; (2) подтверждение покупки; (3) название модели и идентификационный номер, проставленный на Изделии; (4) если применимо, описание компьютерной системы, включая марку и модель; и (5) описание неисправности. В зависимости от характера неисправности, представителю центра ICS может потребоваться дополнительная информация.

После того, как центр ICS подтвердит, что Изделие подлежит гарантийному обслуживанию, вам выдадут номер подтверждения на возврат материальных ценностей (RMA) и указания по возврату Изделия в указанный центр ICS. При возврате Изделия в центр ICS необходимо написать номер RMA снаружи на упаковке. «Интел» не принимает никаких возвращаемых Изделий без номера RMA или с недействительным номером RMA на упаковке. Вы должны отправить возвращаемое Изделие в указанный центр ICS в оригинальной или эквивалентной упаковке с оплаченным почтовым сбором и принять на себя риск повреждения или утраты при транспортировке. Расходы по перевозке и/или сбор за обслуживание могут быть взысканы, если продукт, для которого Вы запрашиваете гарантийное обслуживание, был продан не через авторизованного агента по продаже в Вашей стране/регионе. (Для определения страны/региона свяжитесь с центром ICS в Вашем регионе или пройдите на страницу www.intel.com/support/ru.)

«Интел» по своему усмотрению может отремонтировать или заменить Изделие новым или отремонтированным Изделием или компонентами, в зависимости от того, что «Интел» сочтет целесообразным. Отремонтированное или заменяющее изделие будут отправлены в ваш адрес за счет «Интел» в разумный срок после поступления вашего возвращенного Изделия в центр ICS. После поступления в центр ICS возвращенное Изделие становится собственностью «Интел». Гарантия распространяется на заменяющее изделие в соответствии с условиями настоящей письменной гарантии (с учетом тех же самых ограничений и исключений) на оставшуюся часть первоначального гарантийного срока или на 90 (девяносто) дней, если гарантийный срок истечет раньше. Если «Интел» заменяет Изделие, то срок действия Ограниченной гарантии на заменяющее Изделие не продлевается.

ОГРАНИЧЕНИЯ И ИСКЛЮЧЕНИЯ ИЗ ГАРАНТИИ

НАСТОЯЩАЯ ГАРАНТИЯ ЗАМЕНЯЕТ СОБОЙ ВСЕ ПРОЧИЕ ГАРАНТИИ НА ИЗДЕЛИЕ И «ИНТЕЛ» ОТКАЗЫВАЕТСЯ ОТ ЛЮБЫХ ДРУГИХ ЯВНЫХ ИЛИ ПОДРАЗУМЕВАЕМЫХ ГАРАНТИЙ, ВКЛЮЧАЯ, БЕЗ ОГРАНИЧЕНИЯ, ЛЮБЫЕ ПОДРАЗУМЕВАЕМЫЕ ГАРАНТИИ ЛИКВИДНОСТИ, ПРИГОДНОСТИ К ИСПОЛЬЗОВАНИЮ ПО КОНКРЕТНОМУ НАЗНАЧЕНИЮ, ОТСУТСТВИЯ НАРУШЕНИЙ, ГАРАНТИИ, ВЫТЕКАЮЩИЕ ИЗ ОБЫЧНОЙ ПРАКТИКИ ВЕДЕНИЯ ДЕЛОВЫХ ОПЕРАЦИЙ ИЛИ ТОРГОВЫХ ОБЫЧАЕВ. Некоторые штаты (или юрисдикции) не разрешают исключать подразумеваемые гарантии, так что это ограничение может не распространяться на вас. СРОК ДЕЙСТВИЯ ЛЮБЫХ ЯВНЫХ И ПОДРАЗУМЕВАЕМЫХ ГАРАНТИЙ НЕ ПРЕВЫШАЕТ СРОКА ДЕЙСТВИЯ ДАННОЙ ОГРАНИЧЕННОЙ ГАРАНТИИ.

ПО ИСТЕЧЕНИИ ЭТОГО СРОКА ВСЕ ГАРАНТИИ УТРАЧИВАЮТ СИЛУ. Некоторые штаты (или юрисдикции) не разрешают ограничивать срок действия подразумеваемых гарантий, так что это ограничение может не распространяться на вас.

ОГРАНИЧЕНИЕ ОТВЕТСТВЕННОСТИ

ОТВЕТСТВЕННОСТЬ «ИНТЕЛ» ПО НАСТОЯЩЕЙ ГАРАНТИИ ИЛИ ЛЮБОЙ ДРУГОЙ ЯВНОЙ ИЛИ ПОДРАЗУМЕВАЕМОЙ ГАРАНТИИ ОГРАНИЧИВАЕТСЯ РЕМОНТОМ, ЗАМЕНОЙ ИЛИ ВОЗВРАЩЕНИЕМ СТОИМОСТИ, КАК УКАЗАНО ВЫШЕ. ЭТИ СРЕДСТВА ЗАЩИТЫ ЯВЛЯЮТСЯ ЕДИНСТВЕННЫМИ И ИСКЛЮЧИТЕЛЬНЫМИ СРЕДСТВАМИ ЗАЩИТЫ ПРИ ЛЮБОМ НАРУШЕНИИ ГАРАНТИИ. В МАКСИМАЛЬНОМ ОБЪЕМЕ, ДОПУСТИМОМ ПО ЗАКОНУ, «ИНТЕЛ» НЕ НЕСЕТ ОТВЕТСТВЕННОСТИ ЗА ЛЮБЫЕ ПРЯМЫЕ, ОСОБЫЕ, ПОБОЧНЫЕ ИЛИ КОСВЕННЫЕ УБЫТКИ, ВОЗНИКАЮЩИЕ В РЕЗУЛЬТАТЕ НАРУШЕНИЯ ГАРАНТИИ ИЛИ В СООТВЕТСТВИИ С ЛЮБЫМИ ДРУГИМИ ПРАВОВЫМИ ТЕОРИЯМИ (ВКЛЮЧАЯ, ПОМИМО ПРОЧЕГО, УПУЩЕННУЮ ВЫГОДУ, ПРОСТОИ, ПОТЕРЮ РЕПУТАЦИИ, ПОВРЕЖДЕНИЕ ИЛИ ЗАМЕНУ ОБОРУДОВАНИЯ И ИМУЩЕСТВА, А ТАКЖЕ ЛЮБЫЕ ЗАТРАТЫ НА ВОССТАНОВЛЕНИЕ, ПЕРЕПРОГРАММИРОВАНИЕ ИЛИ ВОСПРОИЗВЕДЕНИЕ ЛЮБЫХ ПРОГРАММ ИЛИ ДАННЫХ, ХРАНЯЩИХСЯ ИЛИ ИСПОЛЪЗУЕМЫХ В СИСТЕМЕ, СОДЕРЖАЩЕЙ ИЗДЕЛИЕ), ДАЖЕ В ТОМ СЛУЧАЕ, ЕСЛИ «ИНТЕЛ» БЫЛ ИНФОРМИРОВАН О ВОЗМОЖНОСТИ ТАКИХ УБЫТКОВ. Некоторые штаты (или юрисдикции) не разрешают исключать или ограничивать побочные или косвенные убытки, так что вышеописанные исключения и ограничения могут не распространяться на вас.

ДАННАЯ ОГРАНИЧЕННАЯ ГАРАНТИЯ ПРЕДОСТАВЛЯЕТ ВАМ ОПРЕДЕЛЕННЫЕ ЮРИДИЧЕСКИЕ ПРАВА, И ВЫ ТАКЖЕ МОЖЕТЕ ИМЕТЬ ДРУГИЕ ПРАВА, КОТОРЫЕ МОГУТ БЫТЬ РАЗЛИЧНЫМИ В РАЗНЫХ ШТАТАХ ИЛИ ЮРИСДИКЦИЯХ.

ЛЮБЫЕ СПОРЫ, ВОЗНИКАЮЩИЕ НА ОСНОВАНИИ ДАННОГО ОГРАНИЧЕННОЙ ГАРАНТИИ ИЛИ В СВЯЗИ С НЕЙ, ПОДЛЕЖАТ РАЗРЕШЕНИЮ В НИЖЕУКАЗАННЫХ МЕСТАХ И В СООТВЕТСТВИИ С НИЖЕУКАЗАННЫМИ НОРМАМИ ПРАВА: ПРИМЕНИТЕЛЬНО К СОЕДИНЕННЫМ ШТАТАМ АМЕРИКИ, КАНАДЕ, СЕВЕРНОЙ И ЮЖНОЙ АМЕРИКЕ РАЗРЕШЕНИЕ СПОРОВ ПРОВОДИТСЯ В Г. САНТА-КЛАРА (КАЛИФОРНИЯ, США) В СООТВЕТСТВИИ С ЗАКОНОДАТЕЛЬСТВОМ ШТАТА ДЕЛАВЭР. ПРИМЕНИТЕЛЬНО К АЗИАТСКО-ТИХООКЕАНСКОМУ РЕГИОНУ

(КРОМЕ КИТАЙСКОЙ НАРОДНОЙ РЕСПУБЛИКИ) РАЗБИРАТЕЛЬСТВО ПРОВОДИТСЯ В Г. СИНГАПУР В СООТВЕТСТВИИ С ЗАКОНОДАТЕЛЬСТВОМ СИНГАПУРА. ПРИМЕНИТЕЛЬНО К ЕВРОПЕ И ОСТАЛЬНЫМ ЧАСТЯМ МИРА РАЗБИРАТЕЛЬСТВО ПРОВОДИТСЯ В ЛОНДОНЕ В СООТВЕТСТВИИ С ЗАКОНОДАТЕЛЬСТВОМ АНГЛИИ И УЭЛЬСА.

В СЛУЧАЕ ЛЮБЫХ ПРОТИВОРЕЧИЙ МЕЖДУ АНГЛИЙСКИМ ТЕКСТОМ НАСТОЯЩЕЙ ОГРАНИЧЕННОЙ ГАРАНТИИ И ЕЕ ТЕКСТАМИ, ПЕРЕВЕДЕННЫМИ НА ДРУГИЕ ЯЗЫКИ (ЗА ИСКЛЮЧЕНИЕМ ПЕРЕВОДА НА УПРОЩЕННЫЙ КИТАЙСКИЙ ЯЗЫК), ТЕКСТ НА АНГЛИЙСКОМ ЯЗЫКЕ ИМЕЕТ ПРЕИМУЩЕСТВЕННУЮ СИЛУ.

有限售後保證

Intel 謹向原封包裝的「本產品」（茲定義為包裝盒內 Intel® 處理器及隨附散熱裝置）之購買人（稱為「原購買人」）以及原購買人建造的包含本產品之電腦系統的購買人（下稱「原系統顧客」）保證：「本產品」若在正常使用和正確安裝的情況之下，絕無任何材料和工藝上的瑕疵，且原廠密封包裝內的「本產品」，將自購買日起三 (3) 年之內完全符合 Intel 所公布的現用規格。本「有限售後保證」僅當以 Intel 微處理器對「本產品」加以評估之後方能生效，而上述三 (3) 年保證期始於原購買人購買原封包裝的本產品之日或原系統顧客購買包含本產品的電腦系統之日。若此「有限售後保證」保證之本產品在保證期限內未能符合上述保證條件，Intel 將有權決定：

利用硬體及/或軟體修理「本產品」；或者

以其他產品更換「本產品」；或者在 Intel 無法修理或更換產品時，

根據本「有限售後保證」條款向 Intel 要求售後保證服務當時的現值退還「本產品」。

本「有限售後保證」以及任何適用州立、聯邦、省立或當地法律規定之下的任何暗示性保證、僅適用於作為「本產品」原購買人的您本人或包含本產品的電腦系統之原購買人，並且僅在該原購買人擁有本產品期間有效。倘若原系統顧客出售或以其他方式轉讓包含本產品之電腦系統，本保證即告終止。

警告：更改時脈頻率和/或電壓可能會：(i) 減少系統穩定性以及系統和處理器的使用年限；(ii) 造成處理器和其他系統元件故障；(iii) 造成系統效能降低；(iv) 造成額外熱度或其他損壞；以及 (v) 影響系統資料完整性。Intel 並未測試且不保證處理器在其規格以外的操作。有關記憶體針對任何特定用途（包括搭配更改的時脈頻率和/或電壓時）之適用性，Intel 概不負責。

有限售後保證適用範圍

Intel 並不保證「本產品」在設計上完全沒有所稱「勘誤」的瑕疵或錯誤。歡迎索取參閱 目前提供的問題特徵說明勘誤表。再者，本「有限售後保證」並不涵蓋下列幾項：

- 由於修理或更換「本產品」而產生的任何花費，包括人工、安裝或您所導致的其他 開銷，且特別是與取下或更換焊接或永久附加在任何印刷電路板之上的任何產品的 任何花費；**或者**
- 由於包括意外、電力故障問題、異常的電氣、機械或環境狀況的外在因素，未根據產品使用說明的不當使用、濫用、疏失、改裝、修理、不當的安裝或不當 的測試，而對「本產品」造成損壞；**或者**
- 未依照 Intel 所公布的現用規格而將任何產品加以修改或操作，或是將原產品識 別標誌（商標或序號）撕下、變造或銷毀。

如何取得售後保證服務

若要取得「本產品」的售後保證服務（無論是原封包裝購買的產品還是包含在電腦系統內的產品），請根據指示向您的原購買地洽詢或與 Intel 取得聯繫。

若要向 Intel 要求售後保證服務，您必須在保證期限之內在正常營業時間（當地時間，但例假日除外）與您當地的「Intel 客戶支援中心」(ICS) 聯絡，並將「本產品」（包裝盒內的 Intel® 處理器及隨附散熱裝置）退還給指定的「客戶支援中心」。（請參看封底載列的當地「客戶支援中心」聯絡方法。）請先備妥下列資料：(1) 您的姓名、郵寄地址、電子郵件位址以及電話號碼；(2) 「本產品」的購買證明；(3) 「本產品」機型名稱和識別標誌；(4) 關於電腦系統的說明（若適用），包括品牌和型號；以及 (5) 有關故障或問題的詳細說明。根據問題的本質而定，「客戶支援中心」代表可能會要求您提供額外的資訊。

在「客戶支援中心」確認您的產品仍在維修保固期間內之後，「客戶支援中心」會給您一個退貨授權 (RMA) 號碼，並指示您如何將產品退回指定的「客戶支援中心」。將產品 退回「客戶支援中心」時，必須將 RMA 號碼標示在外包裝上。Intel 不受理外包裝上沒有標示 RMA 號碼，或標示無效 RMA 號碼的退回產品。請務必將退回產品以原包裝或同等的包裝方式運送到指定的「客戶支援中心」，您必須預付運費，同時自負運送時損壞或遺失的風險。如果您的產品不是向貴國/區域的授權經銷商購買，要求維修保固服務時，可能需要支付運費及（或）處理費。（有關國家/區域的定義，請聯絡您的區域「客戶支援中心」，或請造訪 www.intel.com/support。）

Intel 有權選擇在適當的情況之下，以全新或翻新的產品或組件來修理或更換「本產品」。Intel 的「客戶支援中心」收到退還的產品之後，在合理的時限之

內，將已付運費的修理或更換產品送還給您。「客戶支援中心」收到的退還產品將成為 Intel 的財產。根據本書面售後保證，更換產品將享有九十 (90) 天的售後保證期限或仍適用原售後保證期限，以兩者中較長的效期為準，並受相同的限制與排除條款的約束。如果 Intel 決定更換「本產品」，將不會延長更換產品的「有限售後保證」期限。

售後保證限制與排除條款

本售後保證將取代「本產品」的其他所有擔保，且 INTEL 否認其他所有無論明示或暗示性的保證，包括但不限於適銷性、符合特定目的、不侵權、進行交易買賣與商業慣例的暗示性保證。某些州（或行政轄區）並不允許排除暗示性保證，因此您可能無需受到本限制條款的約束。所有明示與暗示的保證僅限於在本「有限售後保證」的期限之內有效。保證期限之後將無任何保證適用。某些州（或行政轄區）並不允許對暗示性保證的有效期限加以限制，因此您可能無需受到本限制條款的約束。

責任限制

根據本售後保證或無論暗示或明示的其他任何保證之規定，INTEL 的全部責任僅限於前文中 所述之修理、更換或退款。這些是違反擔保條件之唯一且獨有的補救辦法。在合法的最大限度之下，無論是由於任何違反擔保條件的情況，或根據其任何法律理論之規定，對於任何直接、特殊、偶發或後續性的損壞（包括但不限於商業利益、服務中斷、商業信譽所導致的損失、設備與財產的損壞或更換，以及為了恢復、重新編程或再製包含「本產品」的系統中儲存或使用的任何程式或資料而產生的任何花費），即使 INTEL 事先已被告知此類損壞的可能性，INTEL 概不負責。某些州並不允許排除或限制偶發或後續性的損壞賠償，因此您可能無需受到上述限制或排除條款的約束。

本「有限售後保證」賦予您某些特定的合法權利，且根據各州或行政轄區之不同法規，您還可能享有其他的權利。

根據本「有限售後保證」所引發的或其相關的任何及所有爭議，皆應接受下列法庭的裁決，並應受下列法律規定之約束：對於美國、加拿大、北美和南美洲地區，應為美國加州聖塔克 拉拉縣法庭，且應適用德拉瓦州法律。對於亞太地區（中國大陸除外），應為新加坡法庭，且應適用新加坡法律。對於歐洲及世界其他地區，應為倫敦法庭，且應適用英國及威爾斯等地的法律。

一旦本「有限售後保證」英文版與其他任何譯文版本（簡體中文版除外）產生任何抵觸，則應以英文版為依據標準。

有限质保条款

仅适用于在中国大陆销售之盒装英特尔® 处理器英特尔有限公司 (Intel Semiconductor Ltd.) (下称“英特尔”) 向原始包装产品 (指盒装英特尔® 处理器和附带之散热装置) 之购买者 (原始购买者) 以及包含本产品并由原始购买者组装的计算机系统之购买者 (原始系统购买者) 担保: 本产品如正确安装和使用, 三 (3) 年 (下称“质保期”) 内将不存在材料和工艺上之缺陷, 且实质性符合英特尔公开的产品规格。对于原始购买者来说, 该质保期起始于原始包装产品购买日, 对于原始系统购买者来说, 该质保期起始于包含该产品的计算机系统的购买日, 以原始正式销售发票为据 (不论该产品是作为组件而单独购买, 或是作为计算机系统的一部分购买), 并包括任何及所有更换产品的质保期。在任何情况下, 产品及其更换产品的质保期总计不超过三 (3) 年。

第一年有限质保

若在本有效质保下的产品自购买日起 12 个月内不符合本有限质保条款之规定而无法正常工作, 如您提供充足证据证明该产品无法正常工作发生在上述 12 个月之内, 原产品将被更换为功能上相同或实质上等同的新产品 (下称“第一次更换”)。若第一次更换后的产品自更换之日起 12 个月内不符合本有限质保条款之规定而无法正常工作, 如您提供充足证据证明该产品无法正常工作发生于上述第一次更换的 12 个月内, 该产品将更换为功能上相同或实质上等同的新产品 (下称“第二次更换”)。若第二次更换的产品在第二次更换后起 12 个月内不符合本有限质保条款之规定而无法正常工作, 如您提供充足证据证明该产品无法正常工作发生于上述第二次更换的 12 个月内, 您将被退还产品原始正式发票上记载之购买价款 (不包括税费、运费、发票上记载的处理费或类似费用)。

您必须在上述期间内主张第一年质保服务。如果您在质保期第一年后要求第一年质保服务, 您必须提供充足证据证明产品无法正常工作发生于上述期间内。

如产品无法正常工作发生于有限质保期的第一年内, 上述救济措施是您唯一的和全部的救济措施。

剩余期间有限质保

如在本有限质保条款下之产品于在三年质保期的剩余期间内（下称“剩余质保期”）不符合本有限质保条款之规定而无法正常工作，英特尔可选择：

通过硬件和/或软件**修理**该产品；或

以另一产品**更换**该产品；或

在英特尔不能修理或更换该产品的情况下，向您退还您根据本有限质保条款主张质保服务当时与该产品价值等值之金额。

如英特尔认为适当，其可以选择用全新或翻修的产品或者部件更换或修理产品。此类更换之产品或部件同样受本有限质保条款所涵盖，并在九十日内或者本有限质保条款的剩余期限内（以较长时间者为准）受相同之限制和免责条款约束。产品或部件之更换不延长有限质保期。剩余质保期将按比例计算，取决于截至您主张质保服务时，您拥有产品（包括任何有限质保期第一年内所更换之产品）的时间。

如产品无法正常工作发生于剩余质保期内，上述救济措施是您唯一的和全部的救济措施。

警告：更改时钟频率和/或电压可：(i) 降低系统可靠性并缩短系统和处理器的使用寿命；(ii) 导致处理器及其它系统组件发生故障；(iii) 导致系统性能下降；(iv) 导致过量发热或其它损害；并且 (v) 影响系统数据完整性。英特尔尚未对处理器在其规格以外的操作进行测试，因此不提供任何担保。有关处理器针对任何特定用途的适用性，包括用于更改时钟频率和/或电压的应用场合，英特尔概不承担任何责任。

有限质保的一般性条款

英特尔需要合理期间修理产品、更换产品或退款；英特尔在其客户支持中心收到您退还的产品后需要在一段的合理时间内自行承担费用寄回修理或者更换的产品。质保期内提供的任何更换产品属于上述有限质保条款质保范围，并受相同的限制和免责条款约束。您退还之产品一经英特尔接收即属于英特尔之财产。

本有限质保及任何由中国大陆法律法规规定可能存在的默示担保，您只有作为本产品或含本产品之计算机系统的原始购买者方可享有，并且只在您拥有该产品期间内有效。如原始系统购买者出售或以其他方式转让该产品或含该产品之计算机系统，则本有限质保即告终止。

有限质保范围

本有限质保条款仅在中国大陆有效。若您已收到退还价款或本有限质保期届满，本有限质保条款项下之任何权利将随之终止。

英特尔并不保证本产品不存在设计上的缺陷或称为“勘误” (Errata) 之误差。如有要求可向您提供当前业已识别之勘误。本有限质保条款的保障范围不包括与修理、更换相关的包括劳动力，安装的费用，以及其他因您而引起的费用，特别是因移除或更换已焊接或用其他方法永久固定于您的集成电路板上的产品所发生的费用。

本有限质保条款的不适用于因外在因素造成的损坏，包括但不限于意外事故、电力故障、异常供电、机械或者环境情形下之使用、未按产品使用指示之使用、不当使用、疏忽、改装、由未经英特尔授权之修理人修理、不当安装、不当测试、不可抗力、使用盗版软件、感染计算机病毒或由未经英特尔适当授权的维修商不当处理。

下列情况下本有限质保条款不适用：(1) 缺少原始正式发票或无效三包凭证，能提供足够证据的除外；(2) 未经授权之更换、伪造或者其它与三包凭证或发票有关之欺诈行为；(3) 无能够表明生产商姓名、地址、生产日期及产品质量保证书之有关资料或文件；(4) 主张质保服务产品之序列号与原始三包凭证或发票上的资料不一致。

三包凭证

您必须在销售商处获得并且保存产品的原始三包凭证作为您购买产品的证据。销售商应当填写该三包凭证，加盖其公章并且在您购买产品时提供给您。您必须保留销售商提供的原始正式发票，当您主张质保服务时凭此发票连同三包凭证一起作为购买产品的凭证。原始正式发票必须涵盖法律要求的所有信息，包括但不限于商标、产品序列号、购买日期、购买价格，并加盖销售商印章。质保期内如发生任何更换或退款情形，产品销售商或英特尔客户服务代表（视情形而定）将会更新您的三包凭证。

如何获得质保服务

有限质保第一年内如需获得质保服务，请携带原始发票以及三包凭证并根据其指示与原始销售商联系。如原始销售商已停业或质保期第一年已届满，为获得英特尔质保服务，您必须将产品（盒装英特尔处理器及附带之散热装置）退还至指定的英特尔客户支持中心。在您退还产品之前，请在

质保期内，于节假日除外的正常上班时间内（当地时间），拨打 800-820-1100 与英特尔客户支持中心就中国大陆销售之产品进行联系并将产品（盒装英特尔® 处理器及附带之散热装置）返还于指定的英特尔客户服务中心。致电时请准备提供下列资料：(1) 您的姓名、邮寄地址，电子信箱和电话号码；(2) 购买凭证，包括原始发票和原始三包凭证；(3) 产品上注明的产品标识号；(4) 在可以的情况下，计算机系统情况，包括品牌和型号；以及(5) 故障情况。英特尔客户服务代表可能会根据故障性质要求您提供其他资料。

如英特尔客户支持中心确认产品符合质保服务之要求，您将获得一个退还确认号（“确认号”）以及被指示将产品返还于指定的英特尔客户支持中心。当您产品退还至指定的英特尔客户支持中心时，您必须在外包装上写明确认号。英特尔将不接受任何无确认号或包含无效确认号的退还产品。退还的产品须用原始包装或同等包装，交付指定的英特尔客户支持中心，并由您承担运输过程中损坏或丢失的风险。本有限质保条款承诺之服务将由英特尔或英特尔授权代表履行。如果您索取质保服务的产品不是通过贵国/地区的授权经销商销售的，可能会收取运费和/或处理费。（有关国家/地区的特定详情，请与您所在地区的英特尔客户支持中心联系，或访问 www.intel.com/support。）

质保限制及免责条款

本有限质保条款取代英特尔就在中国大陆销售的产品所作出的所有其他质保（无论以何种形式或媒介）。英特尔特此声明不承担所有其他明示或默示的担保，包括但不限于，关乎适销性和符合某一特定用途，业务惯例和贸易惯例的默示担保。所有明示或默示的担保只在有限质保期内有效，质保期届满，所有担保即告终止。

赔偿责任范围

英特尔根据本担保或任何其他明示或默示担保而需承担的责任只限于上文所述的修理、更换或退款。此等补救措施是针对违反担保责任的唯一和全部的救济措施。在中国法律允许的最大范围内，英特尔无需为违反担保或基于任何其他法理而导致的任何直接、特殊、附带或伴随的损失承担责任，该等损失包括但不限于利润损失、停工损失、商誉影响、设备与财产的损害或更换、以及任何为复原、重写或复制任何存储于或使用于包含产品的系统内的程序或数据而引致的费用。即使英特尔已经知晓发生此类损害的可能性。

因本有限质保条款引起的或与本有限质保条款有关的所有任何争议，均受中华人民共和国法律管辖。

本有限质保条款担保之产品已通过英特尔质量认证体系。

품질 보증

Intel은 최초 봉인 포장된 상태의 제품(박스 포장된 Intel® 프로세서 및 동봉된 강열 부품)의 구매자(“원 구매자”)와 원 구매자가 제품을 설치한 컴퓨터 시스템의 구매자(“원 시스템 고객”)에 대해 다음과 같이 보증합니다: 제품이 정상적으로 작동되고 설치되는 한, 재료와 생산 기술에 있어 어떠한 결함도 없으며, 원 구매자의 경우 제품을 최초 봉인된 포장 상태로 구매한 시점으로부터 3년간, 그리고 원 시스템 고객의 경우 제품이 설치되어 있는 컴퓨터 시스템을 구매한 시점으로부터 3년간, 제품이 Intel이 공표한 사양에 실질적으로 부합할 것임을 보증합니다. 본 품질 보증에서 보증하는 제품이 보증 기간에 내에 위에 언급된 보증사항에 부합하지 않는 경우, Intel은 자신의 선택에 따라 다음과 같은 조치를 취할 수 있습니다.

하드웨어 및/또는 소프트웨어로 제품을 수리한다. 또는

제품을 다른 제품과 교체한다. 또는

Intel이 제품을 수리하거나 교체할 수 없는 경우, 본 품질 보증에 근거하여 Intel에 보증서비스 요청을 한 당시의 해당 제품의 현재가치 만큼을 **환불**한다.

본 품질 보증 및 해당 주, 국가, 지역 또는 지방 자치단체의 법률에 근거한 어떠한 묵시적 보증 내용도 본 제품 또는 본 제품이 설치된 컴퓨터 시스템의 원 구매자에게만 적용되며 구매자가 제품을 소유하고 있는 동안에만 유효합니다. 원 시스템 고객이 본 제품이 설치된 컴퓨터 시스템을 팔거나 다른 방법으로 양도한 경우, 본 보증은 종료됩니다.

경고: 클럭 주파수 및/또는 전압을 변경하면 (i) 시스템의 안정성과 시스템 및 프로세서의 가용 수명이 줄어들고, (ii) 프로세서 및 기타 시스템 부품에 고장이 발생하고, (iii) 시스템 성능이 떨어지고, (iv) 과열 또는 기타 손상이 발생하고, (v) 시스템 데이터 무결성에 영향을 줄 수 있습니다. 인텔은 사양을 초과한 환경에서 프로세서의 작동을 테스트하지 않았으며, 그 작동을 보증하지 않습니다. 인텔은 프로세서가 모든 목적에 적합할 것임을 보증하지 않으며, 여기에는 클럭 주파수 및/또는 전압을 변경해서 사용하는 경우가 포함됩니다.

보증의 범위

Intel은 제품에 설계 결함이나 “errata”라고 알려진 오류가 없다는 것을 보증하지 않습니다. 최신 errata 리스트는 사용자의 요청에 따라 제공됩니다. 또한, 본 품질 보증은 다음의 경우에는 적용되지 않습니다.

- 제품의 수리 또는 교체와 관련하여 구매자가 지출하는 인건비, 설치비 또는 기타 비용으로서, 특히 인쇄 회로 기판에 결함되거나 다른 방법으로 영구 부착된 제품을 제거 또는 교체함으로 인해 발생하는 비용. 또는,
- 사고, 전원 불량, 비정상적인 전기, 기계 또는 환경 조건, 제품 사용 설명서를 준수하지 않은 사용, 오용, 부주의, 변경, 수리, 부적절한 설치 또는 부적절한 시험 등의 외부적인 요인으로 발생한 제품 손상. 또는,
- Intel이 공표한 사양의 범주를 벗어나 수정 또는 작동되거나, 원 제품의 식별 표시(상표 또는 일련 번호)가 제거, 변경 또는 삭제된 제품.

품질 보증 서비스를 받으려면

(최초 봉인된 포장 상태 또는 컴퓨터 시스템의 일부로 구입한) 본 제품의 품질 보증 서비스를 받으려면 설명서에 따라 원 구입처에 문의하거나 Intel사에 문의하면 됩니다.

Intel에게 품질 보증 서비스를 요청하려면 보증 기간 내의 공휴일을 제외한 정상영업시간(지역시간) 중에 해당 지역의 Intel고객 지원(ICS) 센터에 연결한 후, 지정된 ICS 센터에 제품(박스 포장된 Intel® 프로세서 및 동봉 감열 부품)을 반납해야 합니다. (해당 지역의 ICS에 문의하는 방법은, 뒷면을 참조하십시오.) 서비스 요청자는 다음의 정보를 제공해야 합니다: (1) 이름, 주소, 전자우편 주소 및 전화 번호, (2) 구입 증명서류, (3) 제품의 모델명과 제품 식별 번호, (4) 해당되는 경우, 상표 및 모델을 포함한 컴퓨터 시스템 정보 및 (5) 제품의 문제점 설명. ICS 담당자는 문제점의 성격에 따라 추가적인 정보를 요청할 수 있습니다.

ICS에서 제품이 보증 서비스를 받을 수 있는 것으로 확인되었을 경우, 사용자에게는 반환제품 승인(“RMA”)번호가 부여되고 제품을 지정된 ICS 센터로 반환하는 지침이 제공됩니다. 제품을 ICS 센터로 반환할 때는 포장 외부에 RMA 번호를 명시해야 합니다. 인텔은 제품 포장에 RMA 번호가 없거나 유효하지 않은 번호로 표시되어 반환된 제품은 받지 않습니다. 제품을 원래의 포장 또는 이와 동등한 상태로 포장해서 운송료를 선불로 지급하여 지정된 ICS 센터로 보내야 하며, 운송 중에 파손이나 분실이 발생할 수 있음을 감안해야 합니다. 사

용자가 보증 서비스를 요청하는 제품이 사용자의 거주 국가/지역의 공인 배급 업체를 통해 판매된 제품이 아닌 경우 운송료 및/또는 취급 수수료가 부과될 수 있습니다. (국가/지역에 대한 명확한 규정은 거주 지역의 ICS센터에 문의하십시오. www.intel.com/support를 방문하십시오.)

Intel은 자신이 적절하다고 판단하는 바에 따라 제품을 수리하거나, 신품 또는 중고 제품이나 부품으로 교체하여 줄 수 있습니다. 수리되거나 교체된 제품은 ICS가 제품을 수령한 후 합리적인 기간 내에 Intel의 비용부담으로 귀하에게 발송됩니다. 반환된 제품은 ICS가 수령한 시점부터 Intel의 재산으로 간주됩니다. 교체된 제품은 90일 또는 본 품질 보증의 남은 기간 중 더 긴 기간 동안 본 품질 보증에 근거하여 품질이 보증되며, 동일한 제한 및 제외사항이 적용됩니다. Intel이 제품을 교체하여 준 경우 교체된 제품의 품질 보증 기간은 연장되지 않습니다.

품질 보증의 제한과 제외 사항

본 품질 보증은 제품에 대한 다른 모든 보증에 우선하며, Intel은 상업상의 묵시적 보증, 특정 목적에의 적합성, 비침해, 거래 과정 및 거래 용도 등을 포함하여 모든 명시적 또는 묵시적인 기타의 보증을 배제합니다. 묵시적인 품질 보증을 제외하는 것을 허용하지 않는 일부 주(또는 관할지역)에서는 이러한 제한이 적용되지 않을 수 있습니다. 모든 명시적 및 묵시적인 보증은 보증기간만으로 제한됩니다. 그 기간 이후에는 어떠한 품질 보증도 적용되지 않습니다. 묵시적 보증기간을 한정하는 것을 허용하지 않는 일부 주(또는 관할지역)에서는 이러한 제한이 적용되지 않을 수 있습니다.

책임의 제한

본 품질 보증이나 기타 묵시적 또는 명시적인 보증에 따라 Intel의 책임은 위에서 명시한 바와 같이 수리, 교체 또는 환불만으로 제한됩니다. 이러한 구제 조치는 품질 보증의 위반에 대한 유일하고 배타적인 구제책입니다. 법이 허용하는 최대한의 범위 내에서 Intel은 품질 보증의 위반으로 인해 발생하거나 또는 기타 법 이론(일실수익, 업무 중단, 영업권, 장비 및 재산에 대한 손해 또는 장비 및 재산의 교체, 그리고 제품에 포함된 시스템에 저장되거나 이와 함께 사용되는 프로그램이나 데이터의 복구, 리프로그래밍 또는 복제 비용을 포함하나 이에 한하지 않음)에 따라 인정되는 직접손해, 특별손해, 부수적이거나 결과적인 손해에 관하여 비록 Intel이 그와 같은 손해의 가능성에 관해 통보 받았다고 하더라도 책임을 지지 않습니다. 부수적 손해 또는 결과적 손해의 배제 또는 제한을 허용하지 않는 일부 주(또는 관할지역)에서는 위 제한이나 배제가 적용되지 않을 수 있습니다.

본 품질 보증은 특별한 법률상의 권리를 부여하며, 주 또는 관할지역에 따라서는 기타의 권리가 부여될 수도 있습니다.

본 품질 보증으로부터 또는 그와 관련하여 발생하는 모든 분쟁은 다음의 법원에 의해 판단되고 다음의 법률에 의해 규율됩니다. 미합중국, 캐나다, 북미 및 남미 지역의 경우 법정지는 미국 캘리포니아주 산타 클라라이며 델라웨어주 법률이 적용법이 됩니다. 아시아 태평양 지역(중국 본토는 제외)에서의 법정지는 싱가포르이며 싱가포르 법률이 적용됩니다. 유럽 및 기타 지역에서의 법정지는 런던이며 잉글랜드와 웨일즈의 법률이 적용됩니다.

본 품질 보증서의 영문본과 외국어 번역본 간에 상충되는 부분이 있는 경우(중국어 간체는 제외), 영문본이 우선합니다.

製品保証

인텔は、封印されたオリジナルパッケージに入った製品(以下、「ボックス版 インテル® プロセッサおよび付随するサマルノリューション」という)の購入者(以下、「最初の購入者」)、および最初の購入者が本製品を用いて組み立てたコンピュータシステムの購入者(以下、「最初のシステム購入者」)に対して次のように保証します。本製品が正しくインストールされた場合、最初の購入者が封印されたオリジナルパッケージに入った本製品を購入した日から3年間、および最初のシステム購入者が本製品を内蔵したコンピュータシステムを購入した日から3年間において、材料と製造工程に欠陥がなく、インテルが公表している製品使用に十分適合することを保証します。本製品保証の対象品が保証期間中に前述の保証内容が満たされないことがあれば、インテルは独自の判断で以下のいずれかのひとつを行います。

修理：本製品のハードウェアおよびソフトウェアの一方または双方を修理/修復する。

交換：本製品を別の製品と交換する。

返金：本保証の元でインテルに保証サービスが申請された時点における製品価値に対する妥当な金額を返済する(インテルが製品の修理、交換ができない場合)。

本製品保証、ならびに国、州および地方の適用法の下に存在する黙示の保証は、本製品の最初の購入者または本製品を内蔵したコンピュータシステムの最初の購入者が製品を所有している期間に限り適用されます。最初のシステム購入者

が本製品を内蔵したコンピュータシステムを売却するか、あるいは委譲した時点で保証期間は終了します。

警告: クロック周波数や電圧を変更すると、(i) システムの安定性ならびにシステムとプロセッサの耐用年数の低下、(ii) プロセッサや他のシステム・コンポーネントの故障、(iii) システム性能の低下、(iv) 温度の上昇やその他の損傷、(v) システム・データの整合性への影響が起きるおそれがあります。インテルでは、仕様の枠を超えたプロセッサの動作についてはテストしておらず、保証いたしません。インテルでは、クロック周波数や電圧を変更した場合を含め、プロセッサの特定目的への適合については一切責任を負いません。

製品保証の範囲

インテルは、本製品に「エラーッタ」(不具合)と呼ばれる設計上の欠陥またはエラーがないことを保証してはしません。ご要望に応じて、現在判明されているエラーッタの情報を参照することができます。また、本製品保証は以下の内容については保証していません。

- 人件費、インストール費、購入者に起因する費用など、製品の修理や交換に関連する費用、および特にはんだ付けされた製品または印刷された回路盤に恒久的に取り付けられた製品の取り外しまたは交換に関連する費用。
- 事故、電力の問題、電気状態の異常、機械状態の異常、環境状態の異常、製品の使用方法に従わない使用の仕方、誤用、怠慢、改造、修理、不適切なインストール、不適切なテストなど、外部からの原因による製品の損傷。
- 改造された製品、公表されているインテルの製品仕様の範囲外で使用された製品、オリジナルのIDマーク(商標あるいはシリアル番号)が除去された、改変された、または消されている製品。

保証サービスの受け方

本製品(封印されたオリジナルパッケージに入った製品として購入、あるいはコンピュータシステムの一部として購入)の保証サービスを受けるためには、まず使用説明書に従って最初の購入先、またはインテルに連絡してください。

インテルから保証サービスを受ける場合は、保証期間内であることが必要で、休日を除く通常の営業時間内に最寄りのインテルカスタマーサポート(以下、「ICS」)センターに連絡し、指定されたICSセンターに製品(ボックス版インテル®P

ロセクサおよび付随するサマールソリューション)を返送します(最寄りのICSセンターへの連絡方法は、裏表紙をご覧ください)。連絡する際は、(1)お名前、ご住所、Eメールアドレス、電話番号、(2)購入を証明するもの、(3)製品に記されている製品名と製品ID番号、(4)コンピュータシステムのメーカー名、製品名を含む説明(該当する場合)、および(5)不具合の説明をお手元にご用意ください。不具合の内容によっては、ICS担当者がさらに情報を必要とする場合があります。

ICSにより製品が保証サービスの対象であることが確認されると、Return Material Authorization (RMA)[返品許可]番号が発行され、製品を所定のICSセンターまで返品するための手順と共に送付されます。ICSセンターに製品を返品する場合は、パッケージの外側に必ずRMA(返品許可)番号を記載してください。インテルでは、パッケージの外側にRMA番号がない場合や、RMA番号が記載されていても無効な場合、返品を受け付けませんのでご注意ください。製品を返品する際は、購入当初のパッケージまたはそれに準ずるものを使用し、所定のICSセンターまで、送料前払いでお送りください。輸送中に破損または紛失した場合はお客様の負担となります。保証サービスを請求される製品が、お住まいの国/地域の正規の代理店を通して販売されたものでない場合は、送料および/または手数料を負担していただく場合があります。(国/地域の定義については、最寄りのICSセンターにお問い合わせになるか、www.intel.com/supportをご覧ください。)

インテルは、製品を修理するか、新品または再生された製品/コンポーネントと交換するかを独自の判断で決定します。ICSが返送された製品を受け取った後、修理された製品または交換品は、インテルの送料負担により適切な期間内にお送りいたします。返送された製品はICSが受領した時点でインテルの所有物となります。交換品は本保証と同じ限定条件および除外条件の下で、90日または元の保障期間の残存期間のいずれか長い期間保証されます。製品を交換した場合、交換品に対する本製品保証の期間を延長することはありません。

保証の制限および保証対象外

本保証は、本製品に対する他の全ての保証に代わって適用されます。すなわちインテルは、商品性、特定の目的に対する適合性、非侵害、取引過程および商習慣に関する黙示の保証を含む(ただしこれらに限らず)、他の一切の明示または黙示の保証をいたしません。尚、黙示の保証の除外を認めない国または地域では、この制限は適用されない場合があります。全ての明示および黙示の保証は、この製品保証期間に限定されています。この期間経過後は、保証が適用されません。黙示の保証期間の除外を認めない国または地域では、この制限は適用されない場合があります。

責任の限度

本保証もしくは明示あるいは黙示の他の保証におけるインテルの責任は、前述の修理、交換、返金に限定されます。これらは保証が守られなかった場合の唯一の救済措置であり、他に救済措置はありません。法律によって許容される最大範囲を限度として、インテルは、保証違反から起因する、または他の法的理論に基づく、いかなる直接的、特定の、偶発的、結果的な損害（収益の損失、稼働不能時間、評判、設備および資産の損傷や交換、本製品を内蔵したシステムにて保存または使用されていたプログラムやデータの復旧、再プログラミング、および再構築に必要な費用を含むがこれに限らず）に対する責任を負いません。インテルがかかる損害の可能性について知らされていた場合でも同様です。偶発的あるいは結果的損害の除外または限定を認めない国または地域では、この限定または除外は適用されない場合があります。

本製品保証は購入者に特定の法的権利を付与するものであり、購入者は国または地域によって異なるその他の権利を有することもあります。

本製品保証から生じるあらゆる紛争は、次の法廷地において司法的判断が下されるとともに、以下の法律に準拠するものとします。米国、カナダ、北米および南米の場合、法廷地は米国カリフォルニア州サンタクララ、準拠法は米国デラウェア州法とします。アジア太平洋地域（中国本土を除く）の場合、法廷地はシンガポール、準拠法はシンガポール法とします。ヨーロッパおよびその他の全ての国や地域の場合、法廷地はロンドン、準拠法はイングランド法およびウェールズ法とします。

この製品保証の英語版と他の言語による翻訳版（中国簡体字版を除く）が矛盾する場合は、英語版が適用されるものとします。

For support, first visit **support.intel.com**

If you need further help, call:

To obtain warranty service in the US and Canada call 1-800-628-8686

North America 916-377-7000

Latin America

Spanish 001-916-377-0114

Portuguese 001-916-377-0180

Europe

Belgium 02-714 3182

Denmark 38-487077

Finland 9-693-79297

France 01-41-91 85 29

Germany 069-9509-6099

Holland 020-487-4562

Italy 02-696-33276

Norway 23-1620-50

Spain 91-377-8166

Sweden 08-445-1251

United Kingdom 0870-607-2439

Japan 0120-868686

Asia-Pacific

Australia 1800-649-931

Hong Kong 852-2 844-4456

Korea 822-767-2595

Singapore 65-6213-1311

Taiwan 2-2545-1640

China 800-820-1100

Malaysia 1800-80-1390

New Zealand 0800-444-365

Philippines 1800-1-651-0117

Indonesia 803-65-7249

Thailand 1800-6310003

Pakistan 63-2-636-8415

Vietnam 63-2-636-8416

India 0006517-2-68303634

From India an IDD-equipped phone is required.

ATTENTION : AUTORISATION D'UTILISATION DU LOGO INTEL®

SI VOUS ÊTES MEMBRE DU PROGRAMME DE PARTENAIRES INTERMÉDIAIRES D'INTEL ET QUE VOUS AVEZ ACCEPTÉ LES CONDITIONS DU CONTRAT DE LICENCE DES MARQUES DÉPOSÉES POUR LES INTERMÉDIAIRES OU D'UN AUTRE CONTRAT CONCERNANT LES MARQUES DÉPOSÉES D'INTEL, VOTRE UTILISATION DE L'ÉTIQUETTE DU LOGO CI-JOINTE EST RÉGIE PAR LES CONDITIONS DUDIT CONTRAT ET DOIT S'Y CONFORMER.

SI VOUS N'ÊTES PAS MEMBRE DU PROGRAMME DE PARTENAIRES INTERMÉDIAIRES D'INTEL, INTEL VOUS ACCORDE L'AUTORISATION LIMITÉE ET NON EXCLUSIVE D'APPOSER L'ÉTIQUETTE DU LOGO CI-JOINTE SUR LA FAÇADE AVANT D'UN SEUL SYSTÈME INFORMATIQUE QUI INTÈGRE LE PROCESSEUR D'INTEL EXPÉDIÉ AVEC L'ÉTIQUETTE. L'UTILISATION DE L'ÉTIQUETTE DU LOGO POUR TOUTE AUTRE FIN N'EST PAS AUTORISÉE ET CONSTITUE UNE VIOLATION DES DROITS DE MARQUE DÉPOSÉE EXCLUSIVE D'INTEL. INTEL SE RÉSERVE LE DROIT DE VOUS DEMANDER DE CESSER TOUTE UTILISATION DE L'ÉTIQUETTE DU LOGO SI LE PROCESSEUR EST SUBSTANTIELLEMENT MODIFIÉ OU SI LE SYSTÈME NE SATISFAIT PAS AUX (OU NE DÉPASSE PAS LES) NORMES DE QUALITÉ ET FONCTIONNEMENT DE RÈGLE DANS L'INDUSTRIE.

POUR VOUS INSCRIRE DANS LE PROGRAMME DE PARTENAIRES INTERMÉDIAIRES D'INTEL, CONSULTEZ LA PAGE WWW.INTEL.COM/RESELLER.

ACHTUNG: AUTORISIERTE VERWENDUNG DES INTEL®-LOGOS

WENN SIE MITGLIED DES INTEL CHANNEL-PARTNER-PROGRAMMS SIND UND DEN BEDINGUNGEN DER CHANNEL-MARKEN-LIZENZVEREINBARUNG ODER EINER ANDEREN VEREINBARUNG IN BEZUG AUF DIE MARKEN VON INTEL ZUGESTIMMT HABEN, WIRD DIE VERWENDUNG DES BEILIEGENDEN LOGO-LABELS IHRERSEITS DURCH DIE BEDINGUNGEN DIESER VEREINBARUNG GEREGLT UND HAT DIESEN ZU ENTSPRECHEN.

WENN SIE KEIN MITGLIED DES INTEL CHANNEL-PARTNER-PROGRAMMS SIND, ERTEILT IHNEN INTEL EINE EINGESCHRÄNKTE, NICHT-EXKLUSIVE GENEHMIGUNG, DAS BEILIEGENDE LOGO-LABEL AUF DEM FRONTRAHMEN EINES EINZIGEN COMPUTER-SYSTEMS ANZUBRINGEN, IN DAS DER MIT DEM LABEL AUSGELIEFERTE INTEL-PROZESSOR EINGEBAUT IST. DIE VERWENDUNG DES LOGO-LABELS FÜR EINEN ANDEREN ZWECK IST NICHT AUTORISIERT UND STELLT EINE VERLETZUNG DER EXKLUSIVEN MARKENRECHTE VON INTEL

DAR. INTEL BEHÄLT SICH DAS RECHT VOR, VON IHNEN DIE EINSTELLUNG DER VERWENDUNG DES LOGO-LABELS ZU VERLANGEN, FALLS DER PROZESSOR ERHEBLICH VERÄNDERT WORDEN IST ODER WENN DAS SYSTEM NICHT DEN IN DER BRANCHE ÜBLICHEN QUALITÄTS-UND LEISTUNGSSTANDARDS ENTSPRICHT ODER DIESE ÜBERTRIFFT.

FÜR DAS INTEL CHANNEL-PARTNER-PROGRAMM REGISTRIEREN KÖNNEN SIE SICH UNTER WWW.INTEL.COM/RESELLER.

ATENCIÓN: USO AUTORIZADO DEL LOGOTIPO DE INTEL®

SI ES MIEMBRO DEL PROGRAMA PARA SOCIOS DEL CANAL INTEL Y HA ACEPTADO LOS TÉRMINOS DEL CONTRATO DE LICENCIA DE MARCAS COMERCIALES DEL CANAL U OTRO CONTRATO RELACIONADO CON LAS MARCAS COMERCIALES DE INTEL, EL USO DE LA ETIQUETA DEL LOGOTIPO QUE SE ADJUNTA SE RIGE POR LOS TÉRMINOS DE ESE CONTRATO Y DEBE CUMPLIR CON ELLOS.

SI NO ES MIEMBRO DEL PROGRAMA PARA SOCIOS DEL CANAL INTEL, INTEL LE OTORGA UNA AUTORIZACIÓN LIMITADA, NO EXCLUSIVA, PARA COLOCAR LA ETIQUETA DEL LOGOTIPO QUE SE ADJUNTA EN EL BISEL FRONTAL DE UN SISTEMA DE COMPUTADORA INDIVIDUAL QUE INCLUYA EL PROCESADOR INTEL ENVIADO CON LA ETIQUETA. EL USO DE LA ETIQUETA DEL LOGOTIPO PARA CUALQUIER OTRO FIN QUE NO ESTÉ AUTORIZADO CONSTITUYE UNA VIOLACIÓN DE LOS DERECHOS DE MARCAS COMERCIALES EXCLUSIVOS DE INTEL. INTEL SE RESERVA EL DERECHO DE EXIGIRLE QUE DEJE DE UTILIZAR LA ETIQUETA DEL LOGOTIPO EN CASO DE QUE SE HAYA ALTERADO MATERIALMENTE EL PROCESADOR O SI EL SISTEMA NO CUMPLE O SUPERA LOS ESTÁNDARES DE CALIDAD Y RENDIMIENTO HABITUALES EN LA INDUSTRIA.

PARA INSCRIBIRSE EN EL PROGRAMA PARA SOCIOS DEL CANAL INTEL, VISITE WWW.INTEL.COM/RESELLER.

ATENÇÃO: USO AUTORIZADO DO LOGOTIPO DA INTEL®

SE VOCÊ FOR UM MEMBRO DO INTEL CHANNEL PARTNER PROGRAM E CONCORDOU COM OS TERMOS DO ACORDO DE LICENÇA DE MARCA REGISTRADA DO CANAL OU OUTRO ACORDO RELACIONADO A MARCAS REGISTRADAS DA INTEL, A UTILIZAÇÃO DA ETIQUETA DE LOGOTIPO INCLUÍDA É GOVERNADA PELOS TERMOS DESSE ACORDO E DEVERÁ ESTAR EM CONFORMIDADE COM ELAS.

SE VOCÊ NÃO FOR UM MEMBRO DO INTEL CHANNEL PARTNER PROGRAM, A INTEL LHE CONCEDE UMA PERMISSÃO LIMITADA NÃO-EXCLUSIVA PARA COLOCAR A ETIQUETA DE LOGOTIPO NO PAINEL FRONTAL DE UM ÚNICO SISTEMA DE COMPUTADOR INCORPORANDO O PROCESSADOR INTEL ENVIADO COM A ETIQUETA. A UTILIZAÇÃO DA ETIQUETA DE LOGOTIPO PARA QUALQUER OUTRO PROPÓSITO NÃO É AUTORIZADA E CONSTITUI VIOLAÇÃO DOS DIREITOS DE MARCA REGISTRADA EXCLUSIVA DA INTEL. A INTEL RESERVA-SE AO DIREITO DE EXIGIR QUE VOCÊ CESSE A UTILIZAÇÃO DA ETIQUETA DE LOGOTIPO NO CASO DE O PROCESSADOR TER SIDO ALTERADO MATERIALMENTE OU DE O SISTEMA NÃO ATENDER OU EXCEDER OS PADRÕES DE QUALIDADE E PERFORMANCE COMUNS NA INDÚSTRIA.

PARA INSCREVER-SE NO INTEL CHANNEL PARTNER PROGRAM, VÁ PARA WWW.INTEL.COM/RESELLER.

ATTENZIONE: USO AUTORIZZATO DEL LOGO INTEL®

SE SEI UN MEMBRO DEL PROGRAMMA INTEL CHANNEL PARTNER E HAI ACCETTATO LE CONDIZIONI DEL CONTRATTO DI LICENZA RIGUARDANTE L'USO DEL MARCHIO PER IL CANALE O DI UN ALTRO CONTRATTO RIGUARDANTE I MARCHI INTEL, IL TUO UTILIZZO DEL LOGO QUI ALLEGATO È REGOLAMENTATO E DEVE CONFORMARSI ALLE CONDIZIONI DEL CONTRATTO STESSO.

SE NON SEI UN MEMBRO DEL PROGRAMMA INTEL CHANNEL PARTNER, INTEL TI CONCEDE UNA LICENZA LIMITATA E NON ESCLUSIVA PER APPORRE IL LOGO ALLEGATO SUL BEZEL FRONTALE DI UN SINGOLO COMPUTER CON INCORPORATO IL PROCESSORE INTEL DOTATO DEL MARCHIO. L'USO DEL LOGO PER QUALSIASI ALTRO SCOPO NON È AUTORIZZATO E COSTITUISCE UNA VIOLAZIONE DEI DIRITTI DEL MARCHIO ESCLUSIVO DI INTEL. INTEL SI RISERVA IL DIRITTO DI IMPORRE LA CESSAZIONE DELL'USO DEL LOGO NEL CASO IN CUI IL PROCESSORE SIA STATO MATERIALMENTE MODIFICATO O SE IL SISTEMA NON SODDISFA O SUPERA GLI STANDARD DI QUALITÀ E PERFORMANCE UTILIZZATI NEL SETTORE.

PER ISCRIVERTI AL PROGRAMMA INTEL CHANNEL PARTNER, VAI SU WWW.INTEL.COM/RESELLER.

UWAGA: AUTORYZOWANE WYKORZYSTANIE LOGO INTEL®

JEŚLI JESTEŚ UCZESTNIKIEM PROGRAMU INTEL CHANNEL I ZAAKCEPTOWAŁEŚ UMOWĘ LICENCYJNĄ NA UŻYWANIE ZNAKÓW HANDLOWYCH LUB INNĄ UMOWĘ DOTYCZĄCĄ ZNAKÓW HANDLOWYCH FIRMY INTEL, WYKORZYSTANIE ZAŁĄCZONEJ NALEPKI Z LOGO JEST REGULOWANE PRZEZ WARUNKI TEJ UMOWY I MUSI BYĆ Z NIMI ZGODNE.

JEŚLI NIE JESTEŚ UCZESTNIKIEM PROGRAMU CHANNEL PARTNER FIRMY INTEL, FIRMA INTEL UDZIELI CI OGRANICZONEGO, NIEWYŁĄCZNEGO POZWOLENIA NA UMIESZCZENIE ZAŁĄCZONEJ NALEPKI Z LOGO NA PANELU PRZEDNIM NA POJEDYNCZYM SYSTEMIE KOMPUTEROWYM ZAWIERAJĄCYM PROCESOR INTEL DOSTARCZONY Z NALEPKĄ. WYKORZYSTANIE NALEPKI Z LOGO DO INNYCH CELÓW JEST NIEAUTORYZOWANE I STANOWI NARUSZENIE WYŁĄCZNYCH PRAW FIRMY INTEL DO ZNAKU HANDLOWEGO. FIRMA INTEL ZASTRZEGA SOBIE PRAWO DO ZAŻĄDANIA ZAPRZESTANIA KORZYSTANIA Z NALEPKI Z LOGO W PRZYPADKU WPROWADZENIA POWAŻNYCH ZMIAN W PROCESORZE LUB JEŚLI SYSTEM NIE SPEŁNIA MINIMALNYCH NORM JAKOŚCI I WYDAJNOŚCI PRZYJĘTYCH W BRANŻY.

W CELU ZAPISANIA SIĘ DO PROGRAMU CHANNEL PARTNER FIRMY INTEL, PRZEJDŹ NA STRONĘ WWW.INTEL.COM/RESELLER.

ВНИМАНИЕ: ЗАКОННОЕ ИСПОЛЬЗОВАНИЕ ЛОГОТИПА КОМПАНИИ INTEL®

ЕСЛИ ВЫ ЯВЛЯЕТЕСЬ УЧАСТНИКОМ ПАРТНЕРСКОЙ МАРКЕТИНГОВОЙ ПРОГРАММЫ INTEL И ПРИНЯЛИ УСЛОВИЯ ЛИЦЕНЗИОННОГО СОГЛАШЕНИЯ ОБ ИСПОЛЬЗОВАНИИ ТОРГОВЫХ ЗНАКОВ ДЛЯ УЧАСТНИКОВ МАРКЕТИНГОВЫХ ПРОГРАММ ИЛИ ДРУГОГО СОГЛАШЕНИЯ, КАСАЮЩЕГОСЯ ТОРГОВЫХ ЗНАКОВ КОМПАНИИ INTEL, ИСПОЛЬЗОВАНИЕ ВАМИ ВЛОЖЕННОЙ НАКЛЕЙКИ С ЛОГОТИПОМ РЕГЛАМЕНТИРУЕТСЯ УСЛОВИЯМИ ЭТОГО СОГЛАШЕНИЯ И ДОЛЖНО ОСУЩЕСТВЛЯТЬСЯ С ИХ СОБЛЮДЕНИЕМ.

ЕСЛИ ВЫ НЕ ЯВЛЯЕТЕСЬ УЧАСТНИКОМ ПАРТНЕРСКОЙ МАРКЕТИНГОВОЙ ПРОГРАММЫ INTEL, КОМПАНИЯ INTEL ПРЕДОСТАВЛЯЕТ ВАМ ОГРАНИЧЕННОЕ, НЕЭКСКЛЮЗИВНОЕ ПРАВО РАЗМЕЩАТЬ ВЛОЖЕННУЮ НАКЛЕЙКУ С ЛОГОТИПОМ НА ПЕРЕДНЕЙ ПАНЕЛИ ОТДЕЛЬНОГО КОМПЬЮТЕРНОГО БЛОКА, В КОТОРОМ ИСПОЛЬЗУЕТСЯ ПРОЦЕССОР INTEL, ПОСТАВЛЯЮЩИЙСЯ С НАКЛЕЙКОЙ. ИСПОЛЬЗОВАНИЕ ЛОГОТИПА В ЛЮБЫХ ДРУГИХ ЦЕЛЯХ ЯВЛЯЕТСЯ НЕЗАКОННЫМ И НАРУШАЕТ ЭКСКЛЮЗИВНЫЕ ПРАВА КОМПАНИИ INTEL НА ТОРГОВУЮ МАРКУ. КОМПАНИЯ INTEL СОХРАНЯЕТ ЗА СОБОЙ ПРАВО ПОТРЕБОВАТЬ ОТ ВАС ПРЕКРАЩЕНИЯ ИСПОЛЬЗОВАНИЯ СВОЕГО ЛОГОТИПА В СЛУЧАЕ, ЕСЛИ В КОНСТРУКЦИЮ ПРОЦЕССОРА БЫЛИ ВНЕСЕНЫ СУЩЕСТВЕННЫЕ ИЗМЕНЕНИЯ, ИЛИ ЕСЛИ ИСПОЛЬЗУЕМАЯ СИСТЕМА НЕ ОТВЕЧАЕТ ИЛИ ПРЕВЫШАЕТ СТАНДАРТЫ КАЧЕСТВА И ПРОИЗВОДИТЕЛЬНОСТИ, ПРИНЯТЫЕ В ОТРАСЛИ. ЧТОБЫ ЗАРЕГИСТРИРОВАТЬСЯ ДЛЯ УЧАСТИЯ В ПАРТНЕРСКОЙ МАРКЕТИНГОВОЙ ПРОГРАММЕ INTEL, ПОСЕТИТЕ ВЕБ-САЙТ КОМПАНИИ ПО АДРЕСУ WWW.INTEL.COM/RESELLER.

注意：INTEL® 標誌的授權使用

如果您是 INTEL 通路夥伴計劃的會員，且已同意通路商標授權合約或其他有關 INTEL 商標合約的條款，您對隨附標誌標籤的使用，則將受該合約條款的制約且必須嚴格遵守。

如果您不是 INTEL 通路夥伴計劃的會員，INTEL 授與您有限、非專屬的權限，可以將隨附的標誌標籤貼在單一電腦系統的前面板上，此電腦系統內必須安裝有與此標籤一同出貨之 INTEL 處理器。將此標誌標籤用作其他目的是未經授權的，且將構成違反 INTEL 專屬的商標權。如果處理器實質上被修改，或如果系統的品質或效能不符合或超過業界的標準常規，INTEL 保留要求您停止使用標誌標籤的權利。

若要加入 INTEL 的通路夥伴計劃，請造訪 WWW.INTEL.COM/RESELLER。

注意：英特尔® 徽标的授权使用

如果您是英特尔渠道合作伙伴计划的成员，且已同意渠道商标许可协议或涉及英特尔 商标的其它协议条款，那么您对随附徽标的使用则受所及协议条款的制约且必须严格 遵守。

如果您不是英特尔渠道合作伙伴计划的成员，那么英特尔则授予您有限、非独占许可，可将随附徽标标签粘贴在单台计算机机箱前面，计算机必须包含随标签一起提供的 英特尔处理器。不得以任何其他目的使用徽标标签，否则将构成对英特尔专有商标权的侵犯。如果处理器被实质性改动，或者系统达不到或超过业界惯用质量和性能标准，那么英特尔有权要求您停止对徽标标签的使用。

要报名参加英特尔渠道合作伙伴计划，请访问 WWW.INTEL.COM/RESELLER。

주의: 인텔® 로고의 승인된 사용

인텔의 채널 파트너 프로그램의 회원으로서 채널 상표 사용권 계약 또는 인텔 상표와 관련된 다른 계약의 약관에 동의한 경우, 귀하는 동봉된 로고 라벨을 해당 계약 약관에 따라 사용하고 이를 준수하여야 합니다.

인텔의 채널 파트너 프로그램 회원이 아닌 경우, 인텔은 인텔 프로세서를 장착한 단일 컴퓨터 시스템의 전면 베젤에 프로세서와 함께 동봉된 로고 라벨을 붙일 수 있는 비배타적인 제한적 권한을 귀하께 허용합니다. 다른 목적으로 로고 라벨을 사용하는 것은 허용하지 않으며 이는 인텔의 독점적인 상표권을 침해하는 행위로 간주됩니다. 인텔은 프로세서가 실제적으로 변경되었거나 시스템이 업계에서 통상적으로 수용되는 품질 및 성능 표준을 충족시키지 못하는 경우에 로고 라벨의 사용을 중지할 수 있는 권한을 가집니다.

인텔의 채널 파트너 프로그램에 가입하려면, WWW.INTEL.COM/RESELLER를 방문하십시오.

ご注意:インテル® ロゴの使用許可

お客様がインテルのチャンネル パートナー プログラムの会員であり、チャンネル商標使用許諾契約またはインテルの商標に関するその他の契約の条項に同意された場合は、同封のロゴ ラベルの使用はその契約に準拠し、その契約の条件に従うものとします。

お客様がインテルのチャンネル パートナー プログラムの会員でない場合、インテルは、ラベルと共に出荷されたインテル プロセッサを搭載した 1 台のコンピューター システムのフロント パネルに同封のロゴ ラベルを貼付することに対し、制限付きの非排他的な許可を与えます。このロゴ ラベルをその他の目的で使用することは許可されず、インテルの独占商標権違反となります。プロセッサが大きく改変されたり、システムの品質とパフォーマンスが業界標準を満たさない場合、インテルはロゴ ラベルの使用中止を要求する権利を保有します。

インテルのチャンネル パートナー プログラムに登録するには、WWW.INTEL.COM/RESELLER にアクセスしてください。

ATTENTION: AUTHORIZED USE OF INTEL® LOGO

IF YOU ARE A MEMBER OF INTEL'S CHANNEL PARTNER PROGRAM AND HAVE AGREED TO THE TERMS OF THE CHANNEL TRADEMARK LICENSE AGREEMENT OR ANOTHER AGREEMENT CONCERNING INTEL'S TRADEMARKS, YOUR USE OF THE ENCLOSED LOGO LABEL IS GOVERNED BY AND MUST COMPLY WITH THE TERMS OF THAT AGREEMENT.

IF YOU ARE NOT A MEMBER OF INTEL'S CHANNEL PARTNER PROGRAM, INTEL GRANTS YOU A LIMITED, NON-EXCLUSIVE PERMISSION TO PLACE THE ENCLOSED LOGO LABEL ON THE FRONT BEZEL OF A SINGLE COMPUTER SYSTEM INCORPORATING THE INTEL PROCESSOR SHIPPED WITH THE LABEL. USE OF THE LOGO LABEL FOR ANY OTHER PURPOSE IS UNAUTHORIZED AND CONSTITUTES INFRINGEMENT OF INTEL'S EXCLUSIVE TRADEMARK RIGHTS. INTEL RESERVES THE RIGHT TO DEMAND YOU CEASE USE OF THE LOGO LABEL IN THE EVENT THE PROCESSOR HAS BEEN MATERIALLY ALTERED OR IF THE SYSTEM DOES NOT MEET OR EXCEED THE QUALITY AND PERFORMANCE STANDARDS CUSTOMARY IN THE INDUSTRY.

TO ENROLL IN INTEL'S CHANNEL PARTNER PROGRAM, GO TO WWW.INTEL.COM/RESELLER.



G 1 2 1 0 8 - 0 0 1

PLACE
LABEL
HERE

