

## Boxed Intel® Processor Installation Instructions

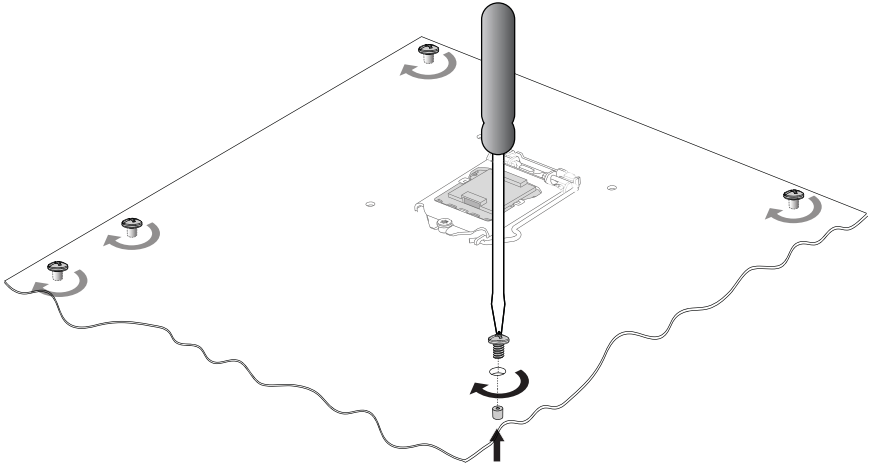
**Note: Installation instructions are not part of the Three Year Limited Warranty**

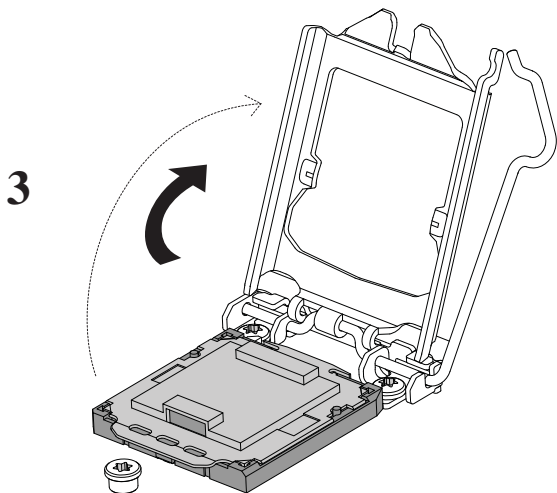
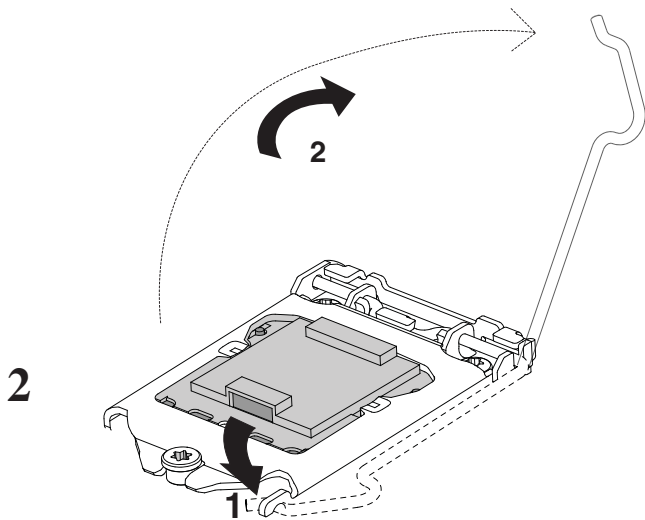
**<http://www.intel.com/go/integration>**



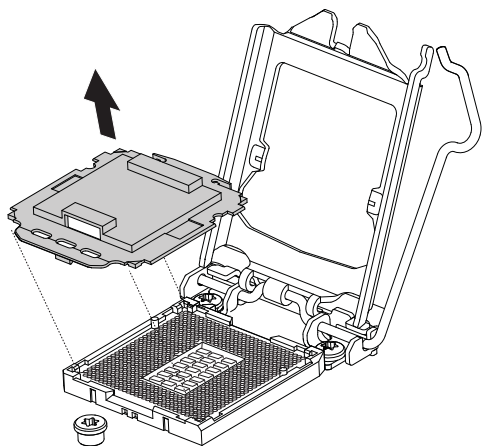
**This processor is intended to be professionally installed. Before installing the processor, please review the additional integration notes available at <http://www.intel.com/go/integration>. Take proper electrostatic discharge (ESD) precautions such as using appropriate ground straps, gloves, and ESD mats.**

1

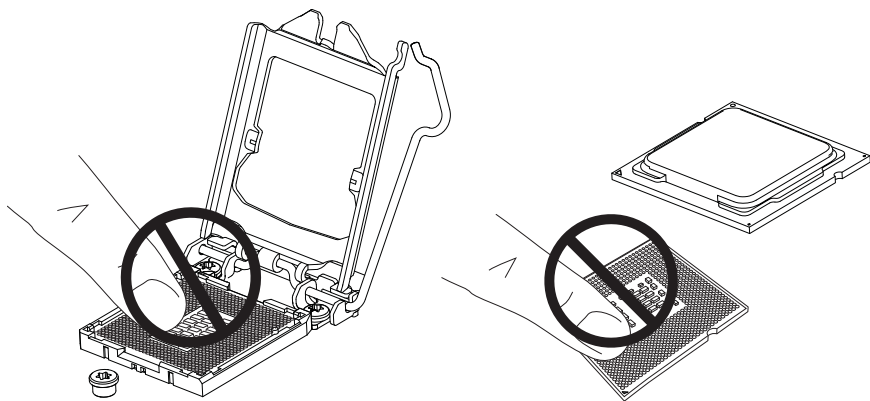




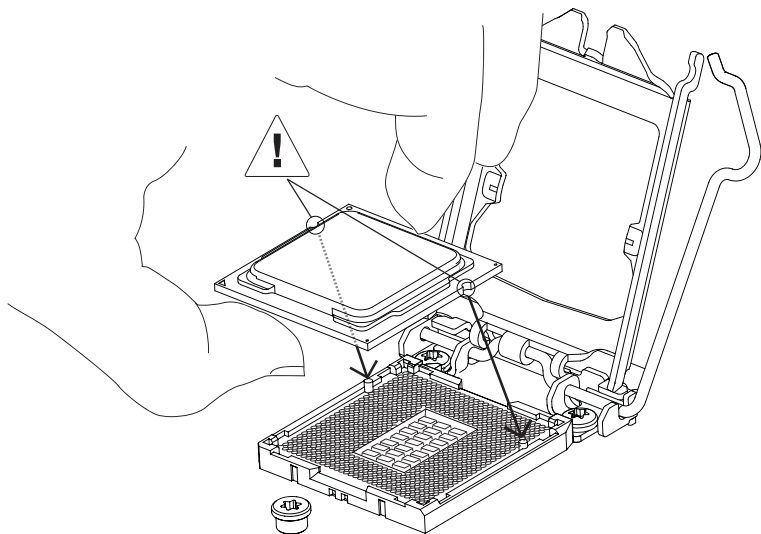
4



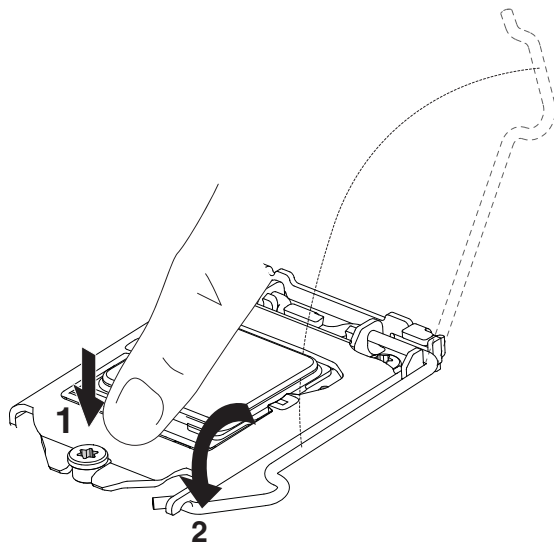
5



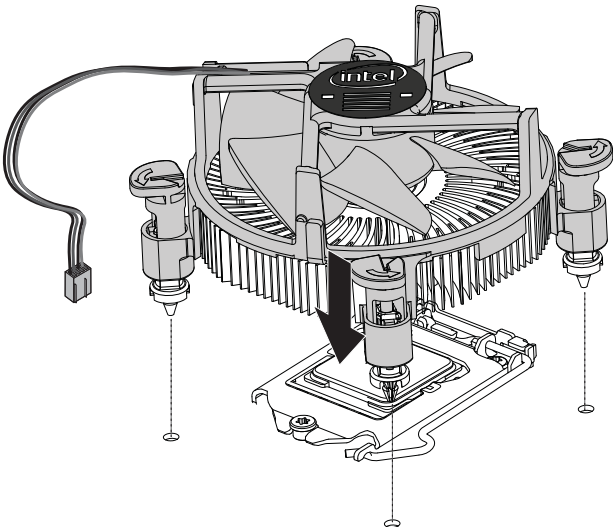
6



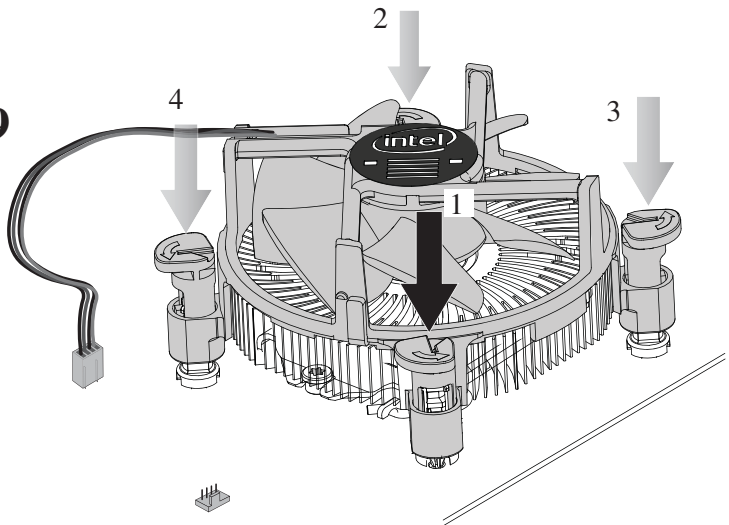
7



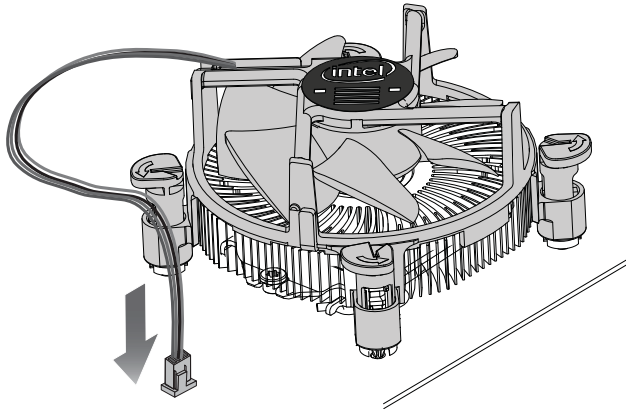
8



9

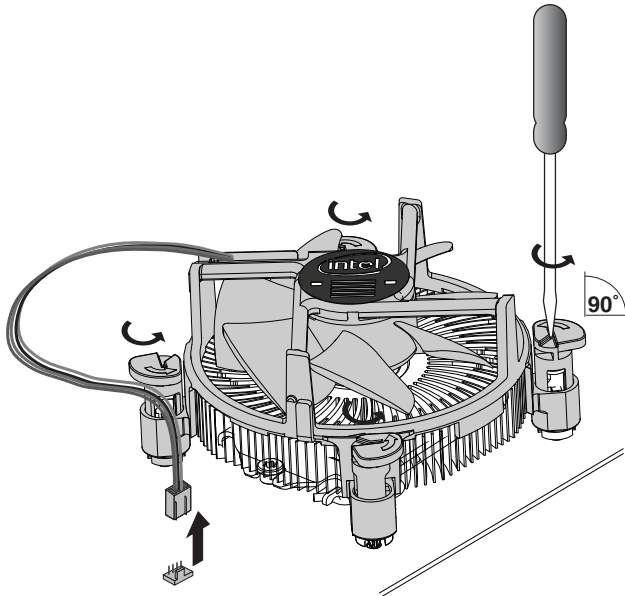


10

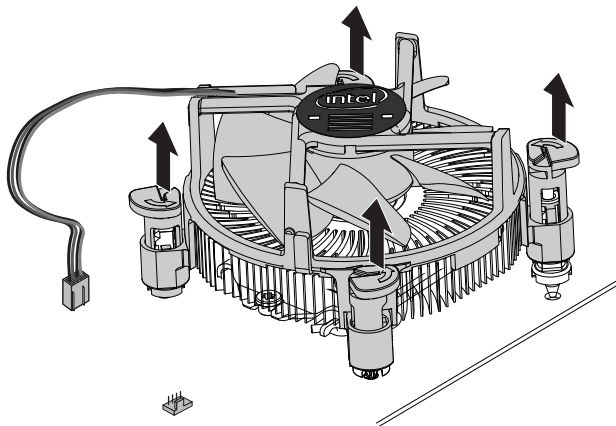


BOXED INTEL PROCESSOR REMOVAL INSTRUCTIONS

1



2



3

