

Intel[®] IP Network Server NSW1U

Configuration Guide System / Spares / Accessories List

May 2008
Rev 2.1

Reference guide to assist customers and the field in ordering the servers,
accessories and spares

~Subject to Change Without Notice~

May 2008

INFORMATION IN THIS DOCUMENT IS PROVIDED IN CONNECTION WITH INTEL® PRODUCTS. NO LICENSE, EXPRESS OR IMPLIED, BY ESTOPPEL OR OTHERWISE, TO ANY INTELLECTUAL PROPERTY RIGHTS IS GRANTED BY THIS DOCUMENT. EXCEPT AS PROVIDED IN INTEL'S TERMS AND CONDITIONS OF SALE FOR SUCH PRODUCTS, INTEL ASSUMES NO LIABILITY WHATSOEVER, AND INTEL DISCLAIMS ANY EXPRESS OR IMPLIED WARRANTY, RELATING TO SALE AND/OR USE OF INTEL PRODUCTS INCLUDING LIABILITY OR WARRANTIES RELATING TO FITNESS FOR A PARTICULAR PURPOSE, MERCHANTABILITY, OR INFRINGEMENT OF ANY PATENT, COPYRIGHT OR OTHER INTELLECTUAL PROPERTY RIGHT. Intel products are not intended for use in medical, life saving, life sustaining applications.

Intel may make changes to specifications and product descriptions at any time, without notice.

Intel server boards, server chassis, and processors may contain design defects or errors known as errata, which may cause the product to deviate from published specifications. Current characterized errata are available on request.

Intel, Intel Xeon, Pentium, and the Intel logo are trademarks or registered trademarks of Intel Corporation or its subsidiaries in the United States and other countries.

*Other names and brands may be claimed as the property of others.

Copyright © 2008, Intel Corporation

Revision	Date	Comments
1.0	11/10/2006	Original version.
1.1	3/19/2007	Updated at SRA. Added Front NIC Bypass SKU.
1.2	5/17/2007	Updated Spares list; new Rack Mount appendix; misc. updates
2.0	4/17/2008	Added info for Quad-Core Intel® Xeon® processor L5410 support, changed format, removed Syscon, added Z-U130 and other additional parts.
2.1	5/13/2008	Fixed NSWCDFILL01W to indicate it is included Added TMLREK01

Document Table of Contents

I.	INTRODUCTION	4
II.	PRODUCTION SKUS	5
III.	PRODUCTION SPARES/ACCESSORY LIST	11
IV.	QUAD PORT BYPASS NIC CAPABILITY	13
	APPENDIX A. RACK MOUNTING OPTIONS FOR 1U AND 2U INTEL® COMMUNICATIONS RACK MOUNT SERVERS	16

I. Introduction

The Intel® IP Network Server NSW1U system is the first 1U rack mount server to join the Intel® IP Network Server family, characterized by having long product life and a 20" depth chassis. It features the Quad-Core Intel® Xeon® processor 5400 series, and the 64-bit Dual-Core Intel® Xeon® processor 5100 series, providing improved performance-per-watt over previous-generation rack mount servers.

Intel® IP Network Servers are suited to a host of applications in the network security and industrial environment. The server is targeted to applications requiring rugged systems including Intrusion Detection, Intrusion Protection, Firewall, VPN, SSL VPN, and Application Secure Gateways. It can also support manufacturing, industrial, utility and military applications where a rugged, highly reliable server is required for harsh environments such as dust, high altitude, fire hazard, earthquake propensity, and high ambient temperatures.

Intel® IP Network Server NSW1U support web site:

<http://support.intel.com/support/telecom/computeboards/NSW1U/index.htm>

Purpose of this Document:

This document provides details on what parts are available for ordering of the Intel® IP Network Server NSW1U production systems. This includes PID and MM# information for System SKUs, Accessories & Spares, as well as other Intel parts that are supported by the NSW1U product.

Supported third-party components are not covered by this document, and may be found in the Tested Hardware and Operating System List (THOL) for this product.

II. Production SKUs

PID Order Code	Description	MM#	Minimum Order Qty.
The 3 PID Order Codes below with the "R" in the 3 rd position support both the Quad-Core Intel® Xeon® processor 5400 series and Dual-Core Intel® Xeon processor 5100 series			
NSRA0201W	Intel® IP Network Server NSW1U, 1U, Rear NIC , Base Model 0*. Includes 450W AC Power Supply .	893630	1
NSRD0201W	Intel® IP Network Server NSW1U, 1U, Rear NIC , Base Model 0*. Includes 450W DC Power Supply .	893657	1
NSRA0401W	Intel® IP Network Server NSW1U, 1U, Front NIC with Bypass , Base Model 0*. Includes 450W AC Power Supply .	896112	1
The 4 PID Order Codes below with the "W" in the 3 rd position have legacy support for the Dual-Core Intel® Xeon processor 5100 series			
NSWA0201W	Intel® IP Network Server NSW1U, 1U, Rear NIC , Base Model 0*. Includes 450W AC Power Supply .	885432	1
NSWD0201W	Intel® IP Network Server NSW1U, 1U, Rear NIC , Base Model 0*. Includes 450W DC Power Supply .	885433	1
NSWA0301W	Intel® IP Network Server NSW1U, 1U, Front NIC , Base Model 0*. Includes 450W AC Power Supply .	885501	1
NSWA0401W	Intel® IP Network Server NSW1U, 1U, Front NIC with Bypass , Base Model 0*. Includes 450W AC Power Supply .	888296	1

See the **NSW1U Base Model 0 Configuration** table further down in this section for a list of components included in each base model 0 SKU.

Production SKUs are offered as either an AC or a DC version. The Product Identification code or PID of all SKUs contains the letter "A" for AC or "D" for DC as the 4th digit of the PID.

Both Production SKUs are base model 0 SKUs, (no processor, heatsink, memory, hard drive, power cord, operating system, or plug-in adapters are provided).

Those components must be ordered separately as Accessories from Intel or from third party vendors listed in the Tested Hardware and Operating System List (THOL).

Power Cords are not included with the Mod 0 system. For AC Power cords, order the NA - North American power cord below. This power cable is RoHS-compliant.

PID	MM#	Comments
PWRCABLEUS	816324	This AC power cable can be ordered by North America (NA) customers. International customers should procure their specific power cords directly.

NSW1U Base Model 0 Configuration

All Production SKUs are base model 0 SKUs (no CPU, heatsink, memory, hard drive or plug-in adapters are provided). Those components must be ordered separately as Accessories from Intel or from third party vendors listed in the Tested Hardware and Operating System List (THOL). The below table lists how many of each component is included in the Production model 0 SKU.

The table below lists which components are included in the base model 0 SKUs and which ones must be ordered separately or as optional accessories.

Component Description	Configuration AC SKU	Configuration DC SKU
Chassis (bezel, sheet metal, top cover, PCI carrier)	1	1
S5000PHB Baseboard - CPUs not included	1	1
FH-FL Bracket with PCI-Express Riser	1	1
AC power supply (450W)	1	-
DC power supply (450W)	-	1
Power Supply Filler Panel	1	1
SATA HDD Carrier	2	2
Server Deployment Toolkit (CD)	1	1
Quick Start Guide	1	1
Power cable ¹	Purchase separately	Purchase separately
CD-ROM Carrier ²	SKU Dependant	SKU Dependant
PCI-X Riser ³	Optional Accessory	Optional Accessory
Syscon Board ³	Optional Accessory	Optional Accessory
Intel® Remove Management Module 2 ³	Optional Accessory	Optional Accessory
NIC Cable ³	Optional Accessory	Optional Accessory
Cable Management Bracket ³	Optional Accessory	Optional Accessory
Bypass Ethernet Ports ⁴	Optional Accessory	Optional Accessory
Rack Mount Kits ⁴	Optional Accessory	Optional Accessory

Some items above available as optional accessories as noted:

¹Refer to AC power cord accessory in section III

²Refer to "Production SKUs" in section II, and see The 3 PID Order Codes below with the "R" in the 3rd position have the CD-ROM carrier in the accessory pack, the "W" Order Codes may order the kit separately.

³Refer to "Production Spares/Accessory List" in section IV

⁴Refer to "Rack Mounts" in Appendix A

Note: For these SKUs to be functional, one or more of the following is required: Power cord, CPU, Memory, Hard Drive, Operating System, and Heat Sinks (Copper Heat Sinks are required).

Notes on the NSW1U Model 0 Configuration and Options:

- **PCI Riser**
 - The base configuration comes standard with one PCI Riser supporting One PCI-Express (PCIe) slot in the PCI Super Slot.
 - An alternate full-height, full-length riser is supported and available as accessories (*refer to "Production Spares/Accessories List" in section II*), and may replace the PCIe riser and supports a Single PCI-X slot
- **SW RAID**
 - The NSW1U supports only SW (Software/Firmware) RAID 0/1
- **Intel® Z-U130 Value Solid State Drive**
 - Support for the Intel® Z-U130 Value Solid State Drive is available via a selection of optional accessories (*refer to "Production Spares/Accessories List" in section III*).
 - Components required are an Intel® Z-U130 Value Solid State (select desired capacity) as well as a mounting kit (TMWVSSDRIVE01W) to mount it inside the chassis.
 - Solid state drives are available in several sizes, enabling an array of product customization options. These drives securely mount inside the chassis offering
 - Storage: independent of traditional disk drives
 - Boot OS from solid state drive; store data on hard drive
 - Store backup image of boot drive
 - Add a server partition to the server
 - Any other customer design options

For more detailed information on the NSW1U, refer to the web links below.

Additional Product Details

Check the following web site for more information on the NSW1U:

<http://www.intel.com/design/servers/cg/NSW1U/>

Support.Intel.Com Users

Product information including specifications, compatibility, user's guides, drivers, firmware, and software associated with the Intel® IP Network Server NSW1U is available from Intel Customer Support.

If you can not access the documents using the links provided, please contact your FAE/FSE for assistance.

Details on Ordering of Processors:

The NSW1U supports the Quad-Core Intel® Xeon® processor 5400 Series, and the Dual-Core Intel® Xeon processor L5100 series listed below. Ordering details for the CPUs for use in NSW1U are listed below:

Processor Number	Long Life	Cores	Speed	TDP	FSB	Tray Processor	
						Product Code	MM#
E5440	Yes	Quad	2.83 GHz	80W	1333 MHz	EU80574KJ073N	893484
L5410	Yes	Quad	2.33 GHz	50W	1333 MHz	EU80574JJ053N	893491
5160*	No	Dual	3.00 GHz	80W	1333 MHz	HH80556KJ0804M	891706
5150*	No	Dual	2.66 GHz	65W	1333 MHz	HH80556KJ0674M	891708
5140	Yes	Dual	2.33 GHz	65W	1333 MHz	HH80556KJ0534M	891730
5130	Yes	Dual	2.00 GHz	65W	1333 MHz	HH80556KJ0414M	891731
5120*	No	Dual	1.86 GHz	65W	1066 MHz	HH80556KH0364M	891732
5110*	No	Dual	1.6 GHz	65W	1066 MHz	HH80556KH0254M	891733
LV 5148	Yes	Dual	2.33 GHz	40W	1333 MHz	HH80556JJ0534M	891675
LV 5128	Yes	Dual	1.86 GHz	40W	1066 MHz	HH80556JH0364M	891704

*Customer will need to complete Regulatory testing for non-ECPD CPU

Processors Supported by NSW1U:

Notes:

- The above Quad-Core Intel® Xeon® processor 5400 Series processors are tested and supported by Intel and are recommended for long availability and support.
- Although all of the above Dual-Core Intel® Xeon processor L5100 series processors are tested and supported, Intel recommends the use of the following processors from Intel's Infrastructure Processor Division (IPD) for long availability and support.
 - 5140 (2.33 GHz, 1333MHz FSB, 65W)
 - 5130 (2.00 GHz, 1333MHz FSB, 65W)
 - LV 5148 (2.33 GHz, 1333MHz FSB, 40W)
 - LV 5128 (1.86 GHz, 1066MHz FSB, 40W)
- Heat Sinks
 - Only Tray processors are recommended with this product. The processor thermal solution for this server must include the use of a copper heat sink (e.g. see TMWHSNK01W in the Spares/Accessories list below). There are no clips needed for this heat sink, since the heat sink includes captive screws.
 - The boxed processors previously listed in the "supported" table have been removed since these now include an aluminum heat sink which does not provide sufficient heat dissipation to meet thermal requirements. For this reason, Intel does not recommend the use of Boxed processors with this product.

Note that CPU product codes can change, and that the above is a snapshot current as of 5/13/2008. Please consult with your Intel representative for SSpec or MM# which may

be needed for ordering the CPU. Any differences in functionality is reported in Monthly Specification updates available on <http://developer.intel.com>.

III. Production Spares/Accessory List

Below are the Spares parts and Accessories that may be ordered with the NSW1U system. Any of these parts may be ordered as spares for part replacement purposes or as additional customer inventory. Some of the parts below are not included in the NSW1U system base model and may be ordered as accessories for purposes of upgrading the base model to include additional features.

Many of these parts are common to the Intel® IP Network Server NSW1U product. For a listing of additional compatible accessories, such as Optical Devices for use with the CD-ROM carrier, please refer to the Tested Hardware and Operating System List (THOL).

PID Order Code	Description	Contents	Included in Base Model (Y/N)	MM#	Minimum Order Size
TMWACPSU01W	TIGW1U/NSW1U AC Power Supply	AC power supply	Y <i>one in AC SKU</i>	886492	1
TMWDCPSU01W	TIGW1U/NSW1U DC Power Supply	DC power supply, input power connector	Y <i>one in DC SKU</i>	886537	1
TMWHSNK01W	TIGW1U/NSW1U CPU Heatsink	Heatsink	N	887151	12 <i>order in multiples of 12</i>
Remote Management					
AXXRMM2	Intel® Remote Management Module 2 (RMM2) - Single Pack	RMM2 with GCM (single-pack)	N	894383	1
AXXRMM2BULK	Intel® Remote Management Module 2 (RMM2) - Bulk Pack (10)	RMM2 with GCM (10-pack)	N	894385	1 <i>(specify '1' for each 10-pack)</i>
Solid State Drives					
TMWVSSDRIVE01W	Mounting kit for Intel® Z-U130 Value Solid State Drive Requires Intel® Z-U130 Value Solid State Drive (purchased separately).	Interposer board, cable, mounting screws (flash drive not included)	N	893165	1
SSDUSMS0001GL10	Intel® Z-U130 Value Solid State Drive - 1 GB, Low Profile Connector <i>Requires TMWVSSDRIVE01W</i>	1 GB Module – Low Profile Connector	N	890945	10
SSDUSMS0002GL10	Intel® Z-U130 Value Solid State Drive – 2 GB, Low Profile Connector <i>Requires TMWVSSDRIVE01W</i>	2 GB Module – Low Profile Connector	N	890943	10
SSDUSMS0004GL10	Intel® Z-U130 Value Solid State Drive - 4 GB, Low Profile Connector	4 GB Module – Low Profile	N	890941	10

PID Order Code	Description	Contents	Included in Base Model (Y/N)	MM#	Minimum Order Size
	<i>Requires TMWVSSDRIVE01W</i>	Connector			
PCI Risers					
ABKPCIEXPUP	1U PCI-Express Riser	Riser	N	878705	1
ABKPCIXUP	1U PCI-X Riser	Riser	Y	878706	1
Spares					
TMWCDRMC01W	TIGW1U CD-ROM Carrier; i/f board (no drive)	Carrier, PBA, screws, pwr cable, signal cable	N	886842	1
NSWFBZL01W	NSW1U Bezel - Rear NIC	Bezel	Y <i>one in Rear NIC SKU</i>	886614	1
NSWFBZL02W	NSW1U Bezel – Front NIC & ByPass	Bezel	Y <i>one in Front NIC SKU and ByPass SKU</i>	886615	1
NSWCBLBRK01W	NSW1U Cable Management Bracket	Bracket for chassis face	N	886590	5 <i>(order in multiples of 5)</i>
NSWCDFILL01W	NSW1U CD-ROM filler	CD filler	Y	886841	1
NSWSATAHDD01W	NSW1U SATA HDD Carriers	2 carriers	Y	886589	1
NSWFANSET01W	NSW1U Fanset	Fans, bracket, air ducts	Y	886544	1
TMWCBL01W	TIGW1U Cables, CD-ROM power, spare	System cables— Flex, CD-ROM power, CD-ROM signal, SATA Signal, Front Panel Panel, Battery	Y	886613	1
TMWPDB01W	TIGW1U/NSW1U Power Distribution Board	Board	Y	886538	1
NSWEFPR01W	NSW1U Ethernet Front Panel I/O Board - Rear NIC, Litepipe	Board, litepipe	Y <i>one in Rear NIC SKU</i>	886540	1
NSWEFPF01W	NSW1U Ethernet Front Panel I/O Board - Front NIC, Litepipe	Board, litepipe	Y <i>one in Front NIC SKU</i>	886543	1
NSWBYPBRD01W	NSW1U Ethernet Front Panel - Front NIC with Bypass	Board	Y <i>one in Front NIC SKU</i>	886812	1
Rail Kit accessories: Please refer to the "Appendix A. Rack Mounting Options for 1U and 2U Intel® Communications Rack Mount Servers" for the standard CRMS rail kit options. The below Rail Enabling Kit is available for the servers with an "R" in the 3 rd position of their order numbers.					
TMLREK01	Rail Enabling Kit to enable AXXBASICRAIL, AXXBASICRAIL13, and AXXHERAIL kits	10 sets in an overpack of: Rackmount ears, Shoulder Screws, screws	N	898926	10

PID Order Code	Description	Contents	Included in Base Model (Y/N)	MM#	Minimum Order Size
The following 2 PID Order Codes below with the "R" in the 3 rd position may be used in all servers as a spare part, and have support for Quad-Core Intel® Xeon® processor 5400 series and Dual-Core Intel® Xeon processor 5100 series. It may be used in all servers with either an "R" or "W" in the 3 rd digit of the PID Order Code.					
NSWBSBRDR01W	NSW1U Baseboard - Rear NIC and ByPass	Board	Y <i>one in Rear NIC SKU and ByPass SKU</i>	886849	1
The following 2 PID Order Codes below with the "W" in the 3 rd position may be used in all servers as a spare part, and have legacy support for Dual-Core Intel® Xeon processor 5100 series only, and may only be used in the appropriate server with "W" in the 3 rd digit of the PID Order Code.					
NSWBSBRDR01W	NSW1U Baseboard - Rear NIC	Board	Y <i>one in Rear NIC SKU</i>	886849	1
NSWBSBRDF01W	NSW1U Baseboard - Front NIC	Board	Y <i>one in Front NIC SKU</i>	886853	1

IV. Quad Port Bypass NIC Capability

This section is intended for customers that plan to add Intel Quad Port NIC with Bypass capability to the NSW1U. It describes what parts must be ordered to enable this capability.

The Intel® IP Network Server NSW1U Front NIC with Bypass has built in support for four ports of bypass Copper Ethernet ports. In addition, all NSW1U servers are capable of supporting:

- A single FH/FL PCIe NIC board with four ports of bypass Gigabit Ethernet (either Copper or Fiber) using the Quad NIC adapters designed by Intel.
- The front-accessible NIC configuration also requires the purchase of an internal cabling/mounting kit including an escutcheon for securing the front ports.

The Quad Bypass adapters and the cabling/mounting kits come in packages of five units each. These kits include five of the NIC cables designed for the NSW1U system, as well as the escutcheons, cable management bracket, and associated screws to complete the installation of the Bypass adapter in the system. Also there are bulk pack (48 count) escutcheon kits (copper, fiber, and filler panel) available to streamline the customization and painting process of the system.

Below are the Accessories that may be ordered to enable the Quad Port Bypass NIC capability on the NSW1U system. *Note: For a list of other tested Network Interface Cards (NICs) refer to the Tested Hardware and Operating System List (THOL).*

PID Order Code	Description	Contents	Included in Base Model (Y/N)	MM#	Min. Order Qty
Copper NIC					
EXPI9014PTBLK (Bypass rear access)	Intel® PRO/1000 PT Quad Port Bypass Adapter (Copper) – 5 Pack	Quad-port design, based on two Intel® 82571GB dual-port PCI Express* GbE controllers	N	876697	5
EXPI9024PTBLK (Bypass NIC-in-front)	Intel® PRO/1000 PT Quad Port Bypass Adapter (Copper, NIC-in-Front) – 5 Pack	Quad-port design, based on two Intel® 82571GB dual-port PCI Express* GbE controllers	N	876699	5
NSWDBCBL01W	NSW1U Copper NIF Kit	Cable, PCI Support Bracket, escutcheon, screws	N	886591	5 <i>(order in multiples of 5)</i>
NSIESCCPR100	Copper escutcheon (unpainted), packaged in cartons of 48	Escutcheons (48-pack)	N	880101	48 <i>(order in multiples of 48)</i>
Fiber NIC					
EXPI9014PFBLK (Bypass rear access)	Intel® PRO/1000 PF Quad Port Bypass Adapter (Fiber) – 5 Pack	Quad-port design, based on two Intel® 82571GB dual-port PCI Express* GbE controllers	N	876696	5
EXPI9024PFBLK (Bypass NIC-in-front)	Intel® PRO/1000 PF Quad Port Bypass Adapter (Fiber, NIC-in-Front) – 5 Pack	Quad-port design, based on two Intel® 82571GB dual-port PCI Express* GbE controllers	N	876694	5
NSWJBCBL01W	NSW1U Fiber NIF Kit	LED cable, PCI Support Bracket, escutcheon, LC connectors screws	N	896831	5 <i>(order in multiples of 5)</i>
NSIESCFBR100	Fiber Escutcheon (unpainted), packaged in cartons of 48	Escutcheons (48-pack)	N	880102	48 <i>(order in multiples of 48)</i>

Overview of Intel® PRO/1000 Quad Port Bypass Server Adapters:

The Intel® PRO/1000 PT and PF Quad Port Bypass Server Adapters provide in-line server appliances, such as Intrusion Protection Servers (IPSeS), with high-performance, low-latency, in-line connectivity, and a bypass mode to ensure business continuity. These adapters also use the PCI Express* serial bus for greater throughput, and they support Intel® I/O Acceleration Technology (Intel® I/OAT) for further performance enhancement, including the reduced overhead so important to IPS applications.

The Intel® PRO/1000 PT and PF Quad Port Bypass Server Adapters are intended for use by equipment manufacturer hardware designers in application-specific in-line server appliances, where a bypass mode is desirable. Given that equipment manufacturers typically write specific software applications for their in-line platforms, Intel only provides open source reference drivers for these adapters. Interested hardware designers may contact their local Intel representative for additional product or purchase information.

More information on Intel® PRO/1000 Quad Port Bypass Server Adapters is available at:

http://www.intel.com/network/connectivity/products/pro1000_quad_bypass_server_adapters.htm

Appendix A. Rack Mounting Options for 1U and 2U Intel® Communications Rack Mount Servers

Rack mounting kits for 2-post or 4-post, 19-inch or 23-inch racks are offered for this product. Please refer to the tables below for the correct options to suit your needs.

All rack mount kits listed are suitable for 1U and 2U Intel® Communications Rack Mount Servers. Installation instructions are included in each kit.

2-post Rack Mounting Kit Options							
Applicable kits:	Rack width		Post depth		Rack fastener hole spacing		
	19 inch	23 inch	3 inch	5 inch	EIA-Wide	EIA-Universal	ETSI
TMLCMOUNT21	●		●	●	●	●	
TMLPMOUNT41	●		●	●		●	
TMLPMOUNT51	●		●	●	●	●	
TMLPMOUNT52		●	●	●	●	●	●

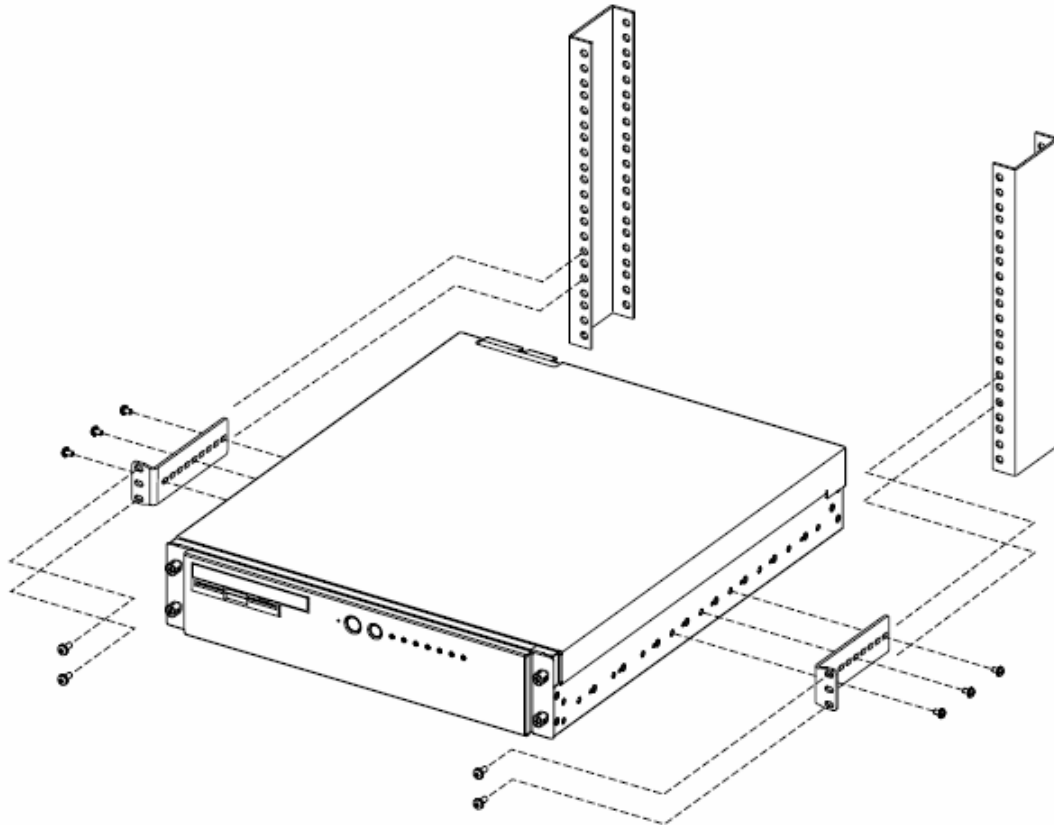
4-post Rack Mounting Kit Options							
Applicable kits:	Rack width		Front-post to rear-post distance		Rack fastener hole spacing		
	19 inch	23 inch	Min (inches)	Max (inches)	EIA-Wide	EIA-Universal	ETSI
TMLPMOUNT41	●		20	24		●	
TMLPMOUNT51	●		20	24	●	●	
TMLPMOUNT52		●	20	24	●	●	●
TMLPSLIDE01 [†]	●		22.5	28 or 34 ^{††}		●	

[†]The TMLPSLIDE01 kit contains server securing brackets. The rails and other options for mounting the server are available through other vendors such as Accuride (<http://www accuride.com/index2.php>).

^{††}34-inch span requires the optional Accuride "Long Bracket" kit.

TMLCMOUNT21

The TMLCMOUNT21 kit mounts Intel® Communication Rack Mount Servers to a 2-post, central office type, 19" wide rack. This kit consists of simple L-shaped brackets; which fasten to the sides of the server and to the rack.



TMLCMOUNT21

TMLPMOUNT41, TMLPMOUNT51 and TMLPMOUNT52

TMLPMOUNT41/51/52 series mounts Intel® Communication Rack Mount Servers to 2-post or 4-post racks.

TMLPMOUNT41 and TMLPMOUNT51 are used for mounting servers on 19" wide racks. These racks are considered standard EIA (universal hole spacing) racks.

TMLPMOUNT52 is used for mounting servers on 23" wide racks. These racks could be standard EIA (universal or wide hole spacing) or ETSI (European) racks.

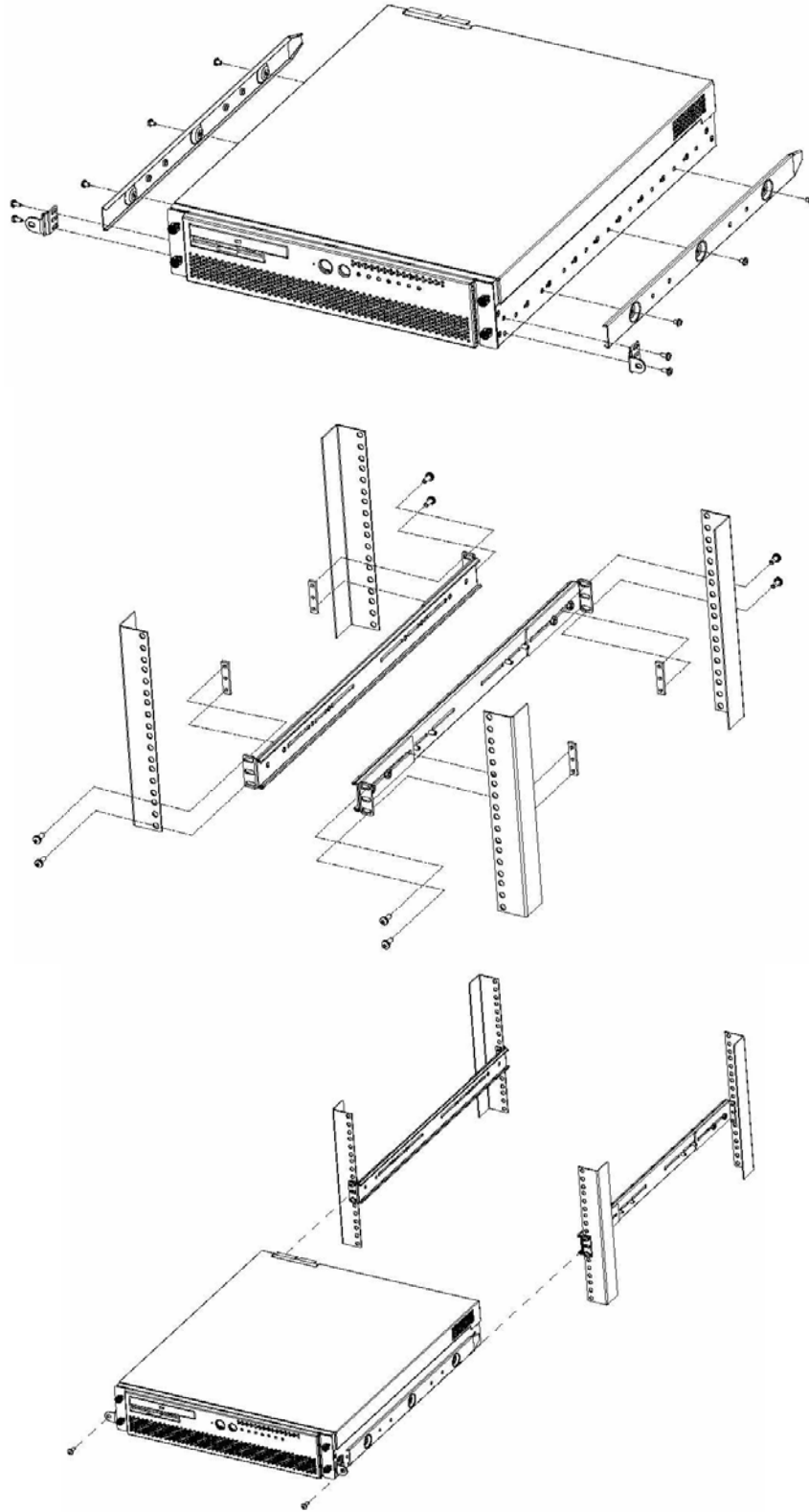
TMLPMOUNT41/51/52 series are designed with a slide-in rail-type system. Although the mounts are designed as rails, they are not sliding rails. This means the servers can be slid into the racks for installation purpose, but the rails are not designed to support a mounted server during service.

TMLPMOUNT4x/5x feature comparison						
	Slide pull-out locking feature	Slide interface material	4-post rack hole spacing	2U-tall nut bar	2-post chassis securing screw location	"HP Mulan rack interference"
TMLPMOUNT41	No ¹	Plastic strips ²	EIA-Universal	Not included	Side access ⁶	Interference
TMLPMOUNT51	Yes	Xylan coating ³	EIA-Wide or EIA-Universal ⁴	Included ⁵	Front access	No Interference
TMLPMOUNT52	Yes	Xylan coating ³	EIA-Wide, EIA-Universal or ETSI	Included ⁵	Front access	N/A

Notes:

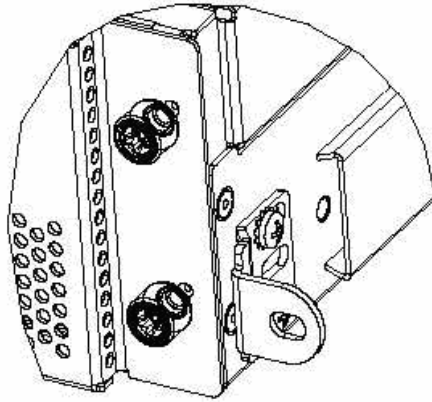
1. Extra care must be exercised with TMLPMOUNT41 to securely hold the server with one's hands when sliding it out of the rack, else the server may fall to the ground as its being removed.
2. Plastic strips on TMLPMOUNT41 have peeled off in some customer installations. Consequence: The parts are usable, but the server may have somewhat of a "scrape-in feel" rather than "slide in". Also, the rails will fit sloppier, so the side-located chassis securing screws may be difficult to align in 2-post installations. Replacement material is available from the plastic strip manufacturer.
3. Xylan is a tough, low-friction coating similar to Teflon.

4. EIA-Wide spacing doesn't have the interstitial hole that is present in EIA-Universal. TMLPMOUNT51 contains an adapter bracket to overcome this EIA-Wide issue.
5. This component (2U Nut Bar) enables installation of a rail kit into a 1U rack slot when there is already equipment installed both above and below that open slot.
6. The sides of the server must be accessible when using TMLPMOUNT41 in 2-post racks.

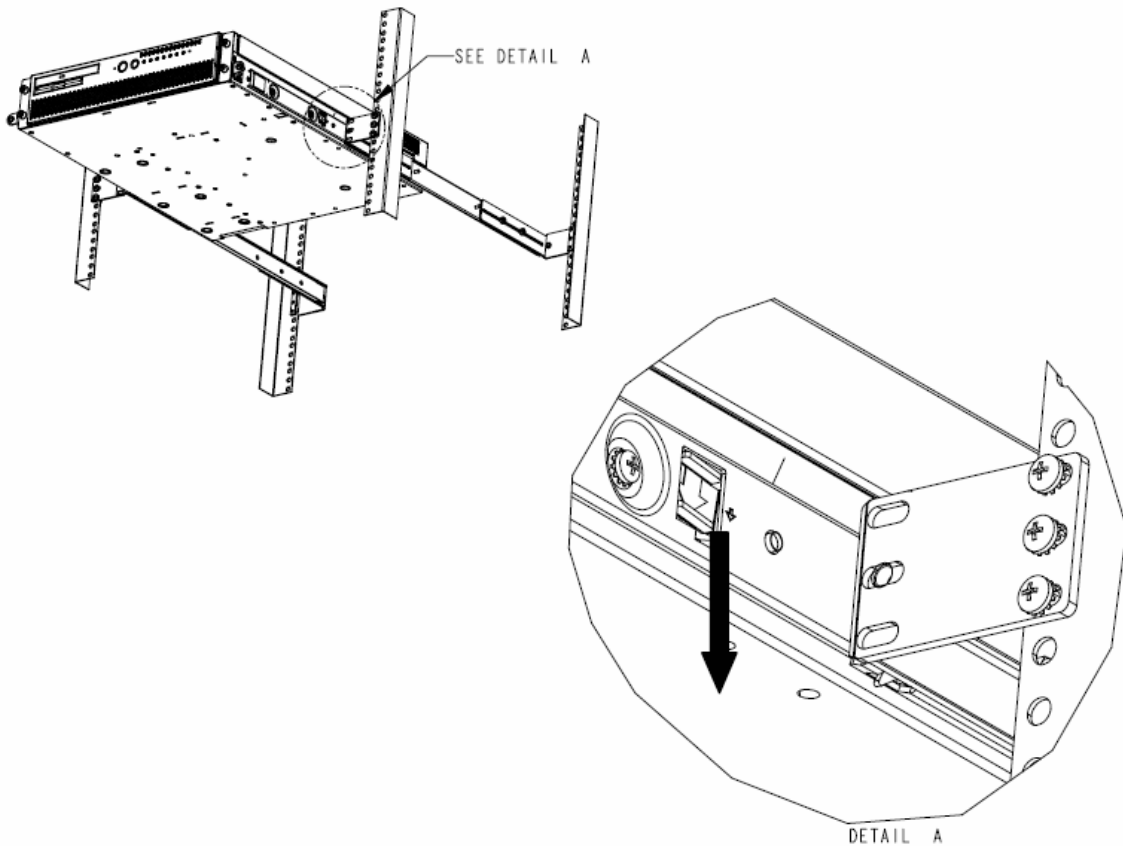


The diagrams above summarize the components and “slide-in rail-type” system of the TMLPMOUNT41. It can be adapted for a 2-post or 4-post installation.

The main difference between the TMLPMOUNT41 and TMLPMOUNT51/52 series is that the TMLPMOUNT41 series uses a screw to lock the server in place via the Universal Mounting Bracket, whilst the TMLPMOUNT51/52 series has an additional Slide Pull-Out Locking feature.



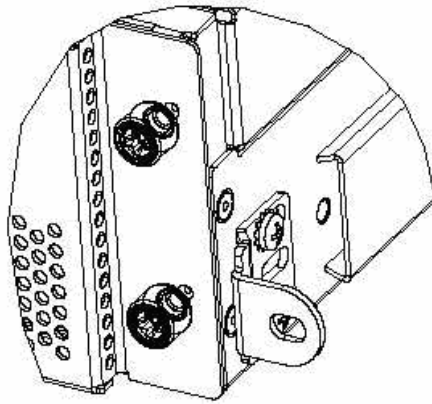
The Universal Front Mounting Bracket on the TMLPMOUNT41



The Slide Pull-Out Locking feature on the TMLPMOUNT51/52

TMLPSLIDE01

The TMLPSLIDE01 is an **accessory kit** designed for use in conjunction with slide rails to produce a rack mounted serviceable server. The TMLPSLIDE01 kit contains two Universal Front Mounting Brackets that secure the server to the front of the rack. The sliding rails and optional mounting brackets required to mount the server must be purchased through the channel. For example, the Accuride 22-inch Model 305A-LR slide rails are designed to mount a server for “in-rack service.” This example would also use an Accuride mounting bracket kit and the TMLPSLIDE01.



Universal Front Mounting Bracket with securing tab

Note: Using slide rails may result in non-compliance with Seismic Zone 4 requirements of NEBS-3 certification.

Ordering Information

PID	Non-RoHS MM#	RoHS MM#	Minimum Order Quantity
TMLCMOUNT21	862501	881904	10
TMLPMOUNT41	838890	881907	10
TMLPMOUNT51	851760	881934	1
TMLPMOUNT52	851745	881935	1
TMLPSLIDE01	845583	881915	10

Customers should order RoHS items for shipments going to the European Union (EU).

Although these mounts have been designed for industry standard racks, please consult with your Intel Field Application or Sales Engineer before selecting racks for these servers.

Compatible rack mounting kits may also be obtained from 3rd party suppliers.