

11 Installing a SysCon Board (Optional)

- Using the shorter 4-inch SysCon cable in the kit, plug one end into the SysCon board as shown. **A**
Note that cable ends are identical.
- Secure the SysCon board by attaching it to the PCI fan bracket with the two black push rivets in the kit. **B**
- Plug the other end of the SysCon cable into the connector on the front panel (EFP) board as shown. **C**

12 Installing an Optical Device (Optional)

- Remove the two screws on the front panel and remove the filler panel from the chassis. **A**
- Insert the interposer board connector into the port on the back of the optical drive. **B**
- Secure the interposer board connection with two screws, as shown. **C**
- Place the optical device into the tray. **D**
- Insert the device/tray/interposer board assembly into the chassis opening and secure with the blue captive thumbscrew. **E**
- Connect the IDE cable (end labeled "Drive") to the interposer board. **F**
- Connect the power cable to the interposer board. **G**

See the System Cabling Diagram at left below for completing cable connections to the front panel board and server board.

13 Installing Intel® Remote Management Modules (Optional)

Remove Module Filler Panel

Prior to installing the Intel® RMM Modules, you must remove the matching module filler panel.

- Squeeze the sides of the filler panel to disengage from the chassis back panel and remove. **A**

Install Intel® RMM NIC Module

- Snap the two standoffs into the server board first. **A**
- Attach module to the server board connector and matching standoffs. **B**

Install Intel® RMM Module

- Insert the standoff into the hole labeled TH4 on the Intel® Remote Management Module. The standoff installs on the bottom side of the Intel® Remote Management Module. **A**
- Attach the Intel® Remote Management Module to the server board Advanced Server Management Interface connector and snap the standoff into the matching hole in the server board. **B**

Reference

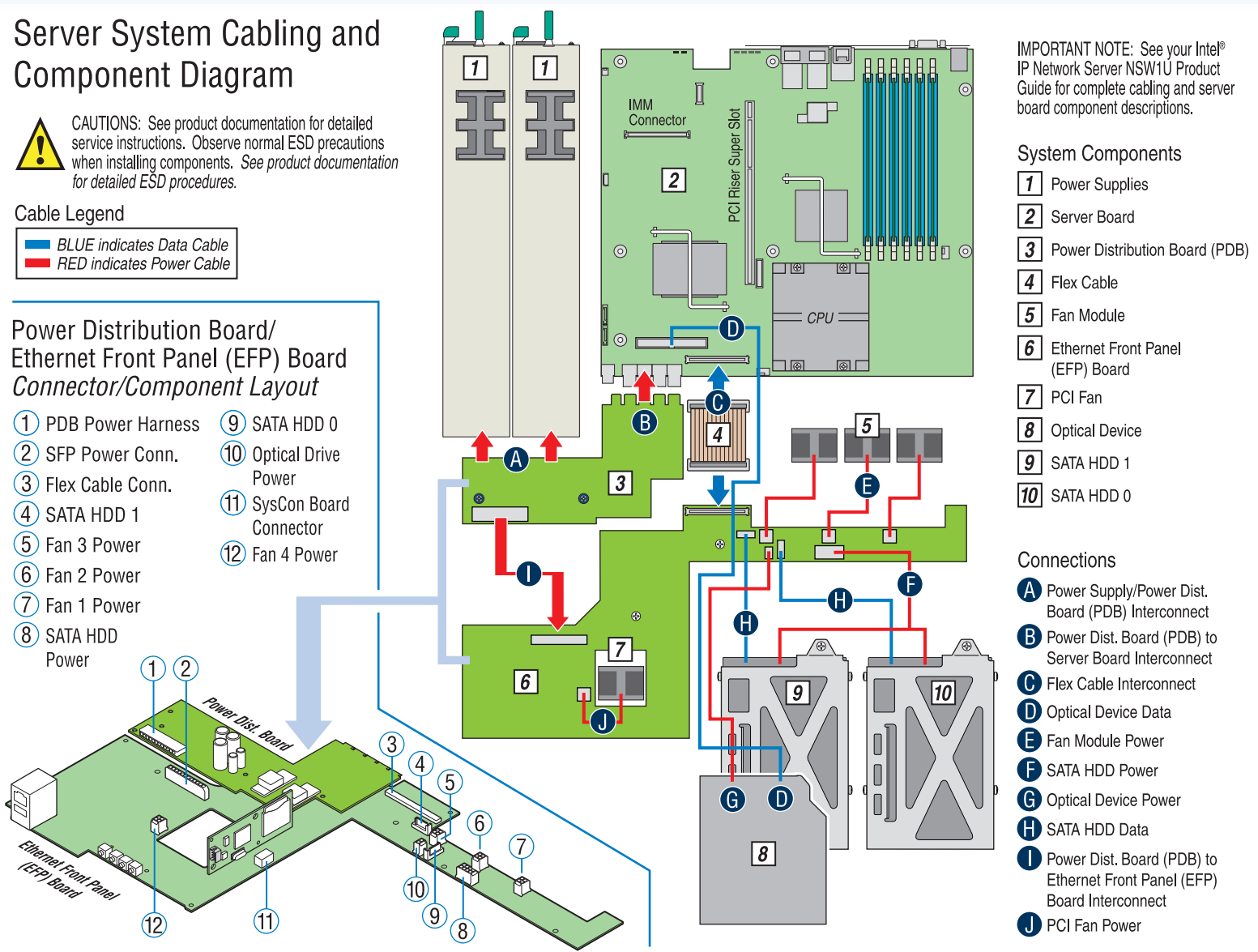
Server System Cabling and Component Diagram

CAUTIONS: See product documentation for detailed service instructions. Observe normal ESD precautions when installing components. See product documentation for detailed ESD procedures.

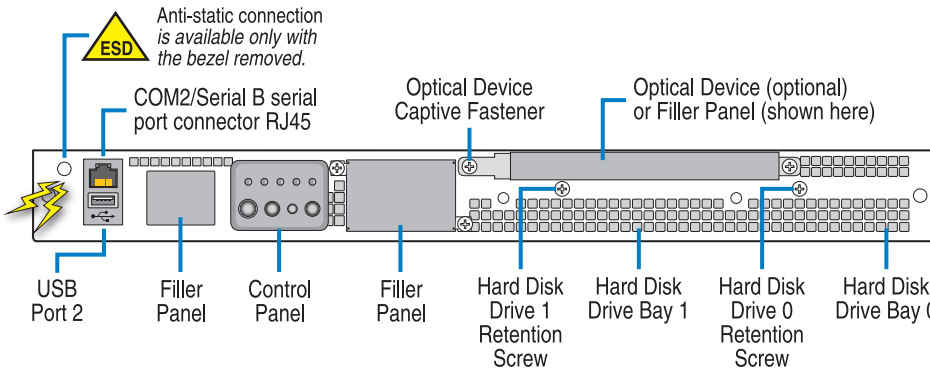
Cable Legend
— BLUE indicates Data Cable
— RED indicates Power Cable

Power Distribution Board/Ethernet Front Panel (EFP) Board Connector/Component Layout

- 1 PDB Power Harness
- 2 SFP Power Conn.
- 3 Flex Cable Conn.
- 4 SATA HDD 1
- 5 Fan 3 Power
- 6 Fan 2 Power
- 7 Fan 1 Power
- 8 SATA HDD Power
- 9 SATA HDD 0
- 10 Optical Drive Power
- 11 SysCon Board Connector
- 12 Fan 4 Power

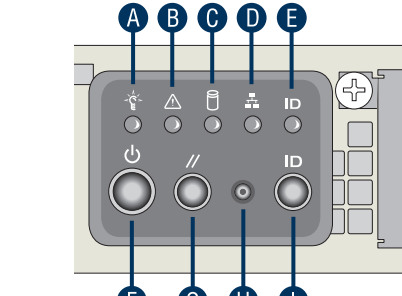


Front Panel Controls and Features (Bezel Removed)



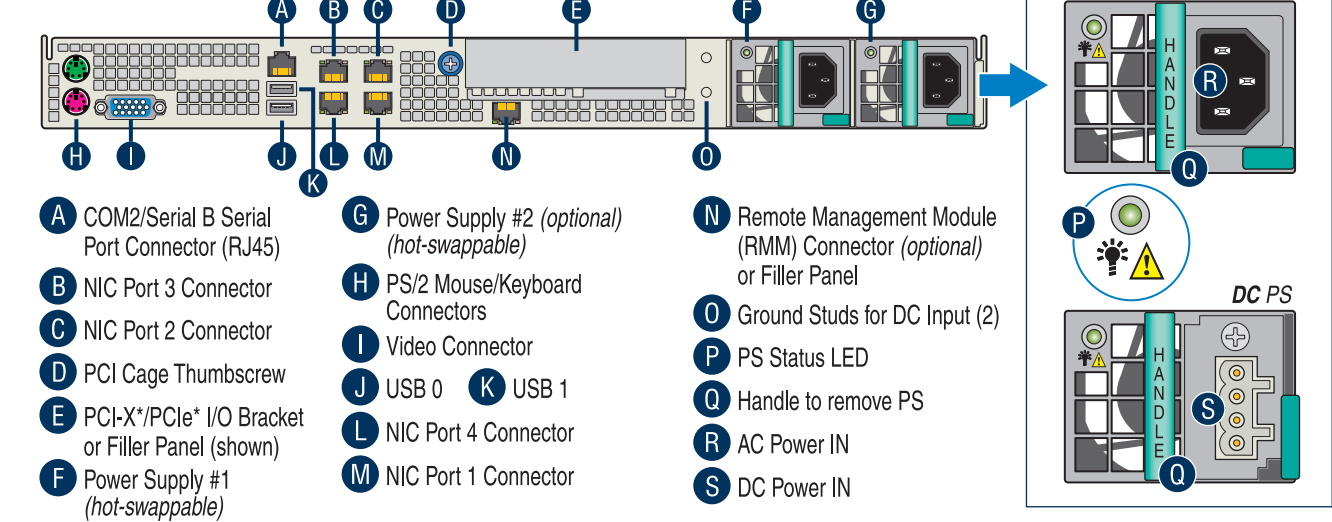
Control Panel

- A Power LED
- B Status LED
- C Disk Activity LED
- D NIC Activity LED
- E ID LED
- F Power Switch
- G Reset Switch
- H NMI Switch
- I ID Switch



LED	Functional Description of Status LEDs	Indicated Status
A	Steady Green	Power On
	Off (not lit)	Power Off or Disrupted
	Steady Green	Standby or Ready
B	Blinking Green	Degraded Operation
	Steady Amber	Fatal Fault Condition
C	Green	Drive Activity
D	Green	NIC Activity
	Off (not lit)	No NIC Activity
E	Blue/Off	Toggled by ID Switch

Back Panel Controls and Features



Accessories and Order Codes NSW1U-R

NSW1U/TIGW1U SysCon Board	TMWYSYCON01W
NSW1U/TIGW1U PCI Express* Riser	TMWPCIEISR01W
NSW1U/TIGW1U PCI-X* Riser	TMWPCIXRSR01W
NSW1U/TIGW1U AC Power Supply	TMWACPSU01W
NSW1U/TIGW1U DC Power Supply	TMWDCPSU01W
NSW1U/TIGW1U Power Distribution Board	TMWPD01W
NSW1U Ethernet Front Panel - Rear NIC	NSWEFPR01W
NSW1U/TIGW1U CPU Heatsink	TMWHSNK01W
NSW1U Fanset Upgrade/Spare	NSWFANSET01W
NSW1U/TIGW1U System Cables (flex CD-ROM power and signal, SATA signal) Spare	TMWCB01W
NSW1U/TIGW1U CD-ROM Carrier; i/f Board	TMWCDRMC01W
NSW1U/TIGW1U CD-ROM Filler	NSWCFILL01W
NSW1U SATA HDD Carrier	NSWSATAHDD01W
Intel(R) Remote Management Module 2 (RMM2)	AXXRM2
NSW1U-R Bezel - Rear NIC	NSWFBR01W
NSW1U Baseboard - Rear NIC	NSWBSBRDR01W
Intel® PRO/1000 PT Quad Port Bypass Server Adapter	EXP9014PT

A complete list of accessories and spares can be found at: <http://support.intel.com/support/telecom/computeboards/nsw1u/>

