

Intel® PRO/Wireless 2011B LAN Power Injector

Quick Installation Guide

Introduction

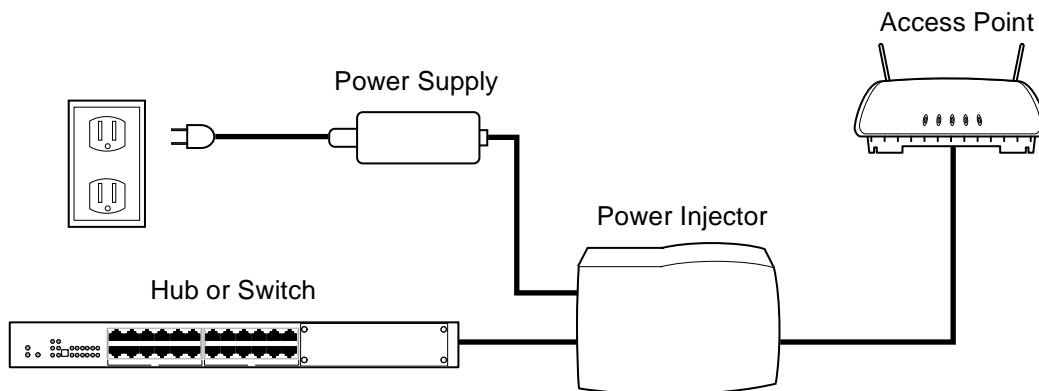
The Intel® PRO/Wireless LAN 2011B Power Injector supplies power to the Intel® PRO/Wireless 2011B LAN Access Point using the standard Ethernet data cable that connects to the access point. Typically, an Intel® 2011B LAN Access Point is connected to a LAN through a standard Ethernet cable. The access point's AC power supply also requires AC power. The Intel® PRO/Wireless LAN 2011B Power Injector eliminates the need to install AC wiring to the access point, and lets you consolidate power management and control in the wiring closet. Rather than plugging the AC power supply directly into the access point, the power supply connects to the Power Injector. The Power Injector sends low-voltage DC power to the access point over the unused wires in a standard 4 pair Category 5 cable.

Before you begin

The Power Injector uses the power supply included with your Intel® PRO/Wireless 2011 or 2011B LAN Access Point. If the power supply is connected to the access point, remove the power connector and unplug the power supply.

The maximum total cable length between the hub or switch, and the access point is 100 meters (328 feet).

Installation



1. Connect a Category 5 cable from your Ethernet hub or switch to the Power Injector. Use the RJ-45 connector next to the power input connector.
2. Connect a Category 5 cable from the Power Injector's other RJ-45 connector to the Intel Access Point.
3. Connect the cable from the Intel Access Point power supply to the power-input connector on the Power Injector.
4. Plug the power supply into a 100, 120, or 220 VAC power source. To ensure that the access point receives power during power outages, plug the power supply into an uninterruptible power supply (UPS).

The green LED on the Power Injector indicates that the device is receiving power from the power supply. Check the power LED on the PRO/Wireless Access Point to make sure that it is receiving power.

Power Injector specifications

The Power Injector is compatible with the Intel PRO/Wireless 2011 and 2011B LAN Access Points. Do not use this product with the Intel Wireless Gateway.

- Input: 24V
- Dimensions: 8 cm x 5.5 cm x 3.5 cm (3.2" x 2.2" x 14")
- Operating temperature: 0° C to 40° C (32° F to 131° F)
- Humidity: 5% to 95% (non-condensing).

Power supply specifications

- Input: 85 VAC to 270 VAC
- Output: 24V

Customer Support

Intel Automated Customer Support

You can reach Intel automated support services 24 hours a day, every day, at no charge. The services contain the most up-to-date information about Intel products. You can access installation instructions, troubleshooting information, and general product information.

- Support: <http://support.intel.com>
- Corporate: <http://www.intel.com>

Customer Support Technicians

US and Canada: If you are using this product in conjunction with Intel® PRO/Wireless 2011B LAN access points or adapters (collectively, the “hardware”) in a business or office environment and want customer support, please call +1 916-377-7000 (7:00 – 17:00 M–F Pacific Time). You can also visit the Intel® PRO/Wireless 2011B LAN customer support web site (<http://support.intel.com>).

Worldwide Access: Intel has technical support centers worldwide. Many of the centers are staffed by technicians who speak the local languages. For a list of all Intel support centers, the telephone numbers, and the times they are open, refer to the Customer Support Phone Numbers web site (<http://www.intel.com/support/9089.htm>).

Product Warranty

This product is covered by a Limited Hardware Warranty. For details, see the online manuals for the Intel® PRO/Wireless 2011B LAN Access Point.

Regulatory Notices

All regulatory notices are provided in the online manuals included on the CD-ROM with the Intel PRO/Wireless 2011 and 2011B LAN Access Point.

Copyright © 2001, Intel Corporation. All rights reserved.
Intel Corporation, 5200 N.E. Elam Young Parkway, Hillsboro, OR 97124-6497

A61427-001